



US00D826550S

(12) **United States Design Patent**
Filakousky

(10) **Patent No.:** **US D826,550 S**

(45) **Date of Patent:** **** Aug. 28, 2018**

(54) **KEY CHAIN**

(71) Applicant: **Gerald Filakousky**, Corona, CA (US)

(72) Inventor: **Gerald Filakousky**, Corona, CA (US)

(**) Term: **15 Years**

(21) Appl. No.: **29/578,922**

(22) Filed: **Sep. 26, 2016**

(51) **LOC (11) Cl.** **03-01**

(52) **U.S. Cl.**
USPC **D3/207**

(58) **Field of Classification Search**

USPC D3/207-212; 70/456 B, 457, 458, 408,
70/456 R; D13/168; D8/347; D10/104;
D14/496, 411; 206/37.1; D21/604, 605,
D21/656, 658, 659; 24/3.6; D11/11, 79,
D11/81, 82, 87

CPC H04B 1/034; F04B 15/00; E05B 19/04;
A44B 15/00; A44B 15/002; A44B
15/005; A44B 15/007

See application file for complete search history.

(56) **References Cited**

U.S. PATENT DOCUMENTS

| | | | | |
|---------------|---------|-------------|-------|------------------------|
| D120,568 S * | 5/1940 | Lipic | | D3/208 |
| D129,716 S * | 9/1941 | Trollen | | 206/232 |
| D211,399 S * | 6/1968 | Martin | | D3/208 |
| 3,906,763 A * | 9/1975 | Bochory | | A47G 29/10 70/456 R |
| D257,572 S * | 12/1980 | Wefler | | D3/208 |
| D257,703 S * | 12/1980 | Tyson | | D3/207 |
| D308,600 S * | 6/1990 | Wischnowsky | | D3/207 |
| D381,803 S * | 8/1997 | Crego | | D3/208 |
| D382,394 S * | 8/1997 | Hlafka | | D3/208 |
| D384,254 S * | 9/1997 | Johnson | | D3/207 |
| D409,830 S * | 5/1999 | Stafford | | D3/208 |
| D411,036 S * | 6/1999 | Barnes | | D3/208 |
| D420,215 S * | 2/2000 | MacDonald | | D3/207 |

| | | | | |
|--------------|---------|-----------|-------|--------|
| D433,562 S * | 11/2000 | Redlinger | | D3/208 |
| D630,010 S * | 1/2011 | Brown | | D3/208 |
| D749,837 S * | 2/2016 | Du | | D3/207 |

* cited by examiner

Primary Examiner — Ralf Seifert

(74) *Attorney, Agent, or Firm* — The Law Office of
Austin Bonderer, PC; Austin Bonderer

(57) **CLAIM**

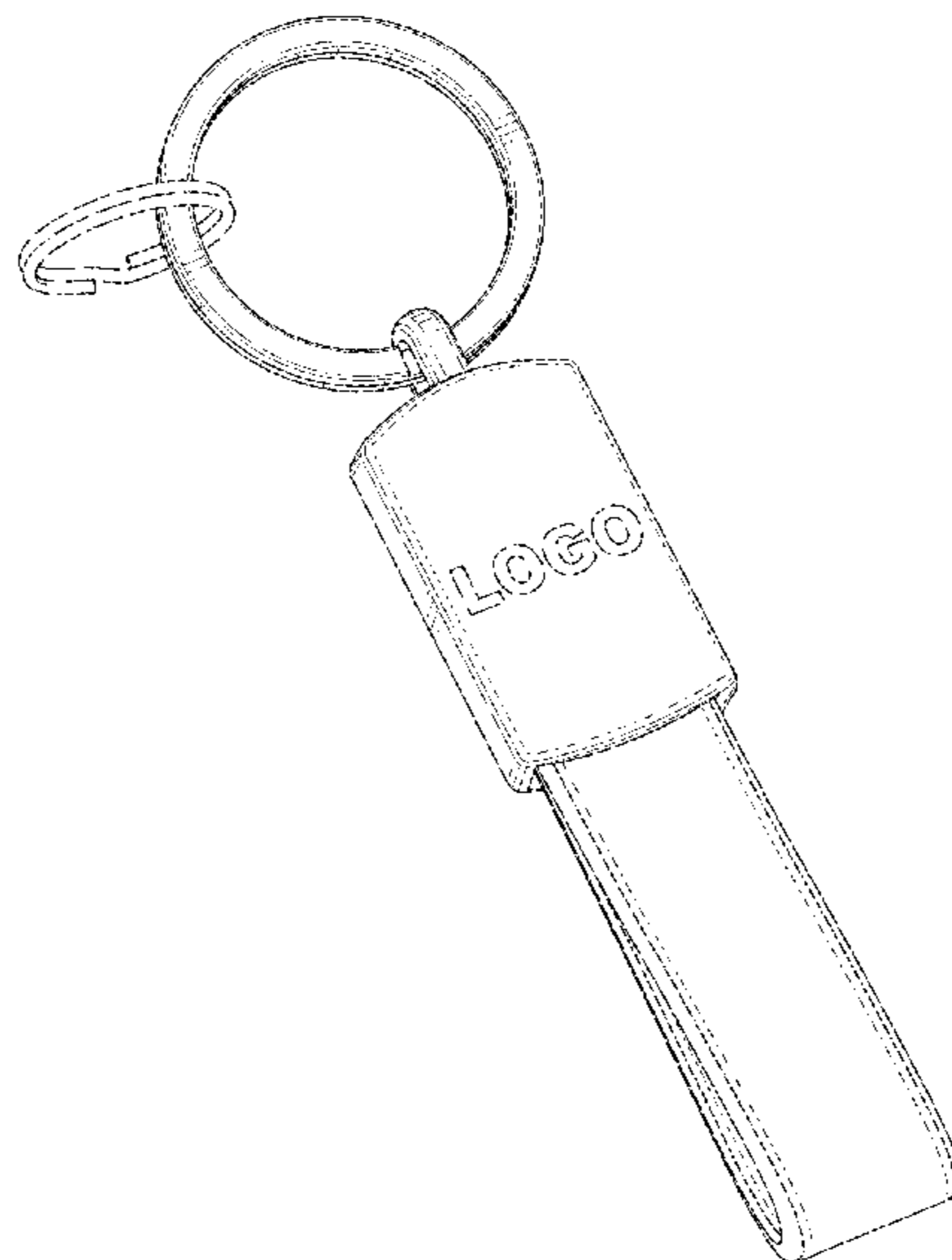
The ornamental design for a key chain, as shown and described.

DESCRIPTION

FIG. 1 is a front perspective view of a key chain showing the first embodiment of my new design;
 FIG. 2 is a rear perspective view;
 FIG. 3 is a front view thereof;
 FIG. 4 is a rear view thereof
 FIG. 5 is a right side view thereof;
 FIG. 6 is a left side view thereof;
 FIG. 7 is a top view thereof;
 FIG. 8 is a bottom view thereof;
 FIG. 9 is a front perspective view of a key chain showing the second embodiment of my new design;
 FIG. 10 is a rear perspective view of FIG. 9;
 FIG. 11 is a front view of FIG. 9;
 FIG. 12 is a rear view of FIG. 9;
 FIG. 13 is a right side view of FIG. 9;
 FIG. 14 is a left side view of FIG. 9;
 FIG. 15 is a top view of FIG. 9; and,
 FIG. 16 is a bottom view of FIG. 9.

In the embodiment claimed by FIGS. 1-8 of the key chain, the outer most dashed lines on the strap are indicative of a claimed stitching. All other broken lines indicate environment and forms not part of the claimed design.

1 Claim, 8 Drawing Sheets



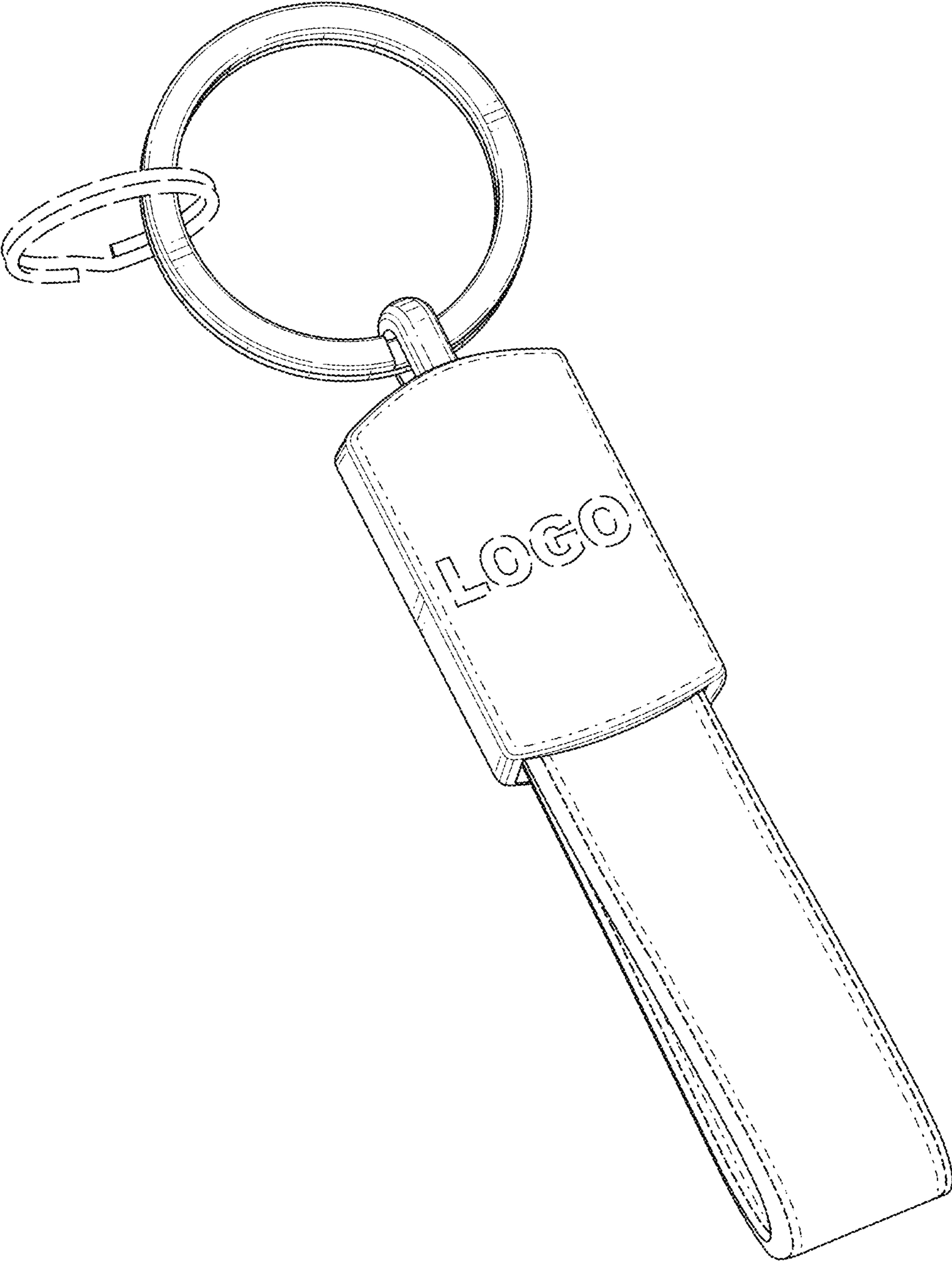


FIG. 1

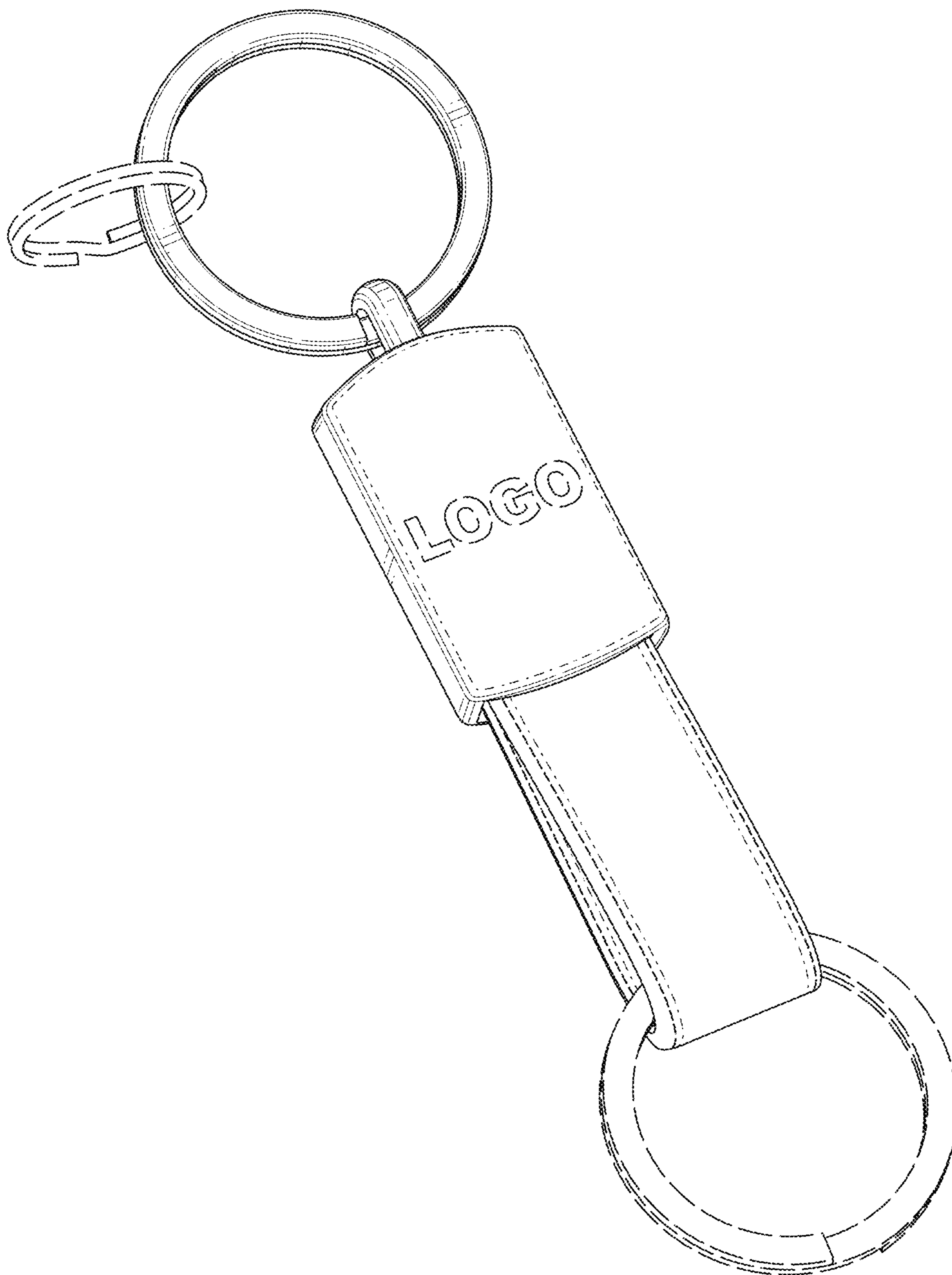


FIG. 2

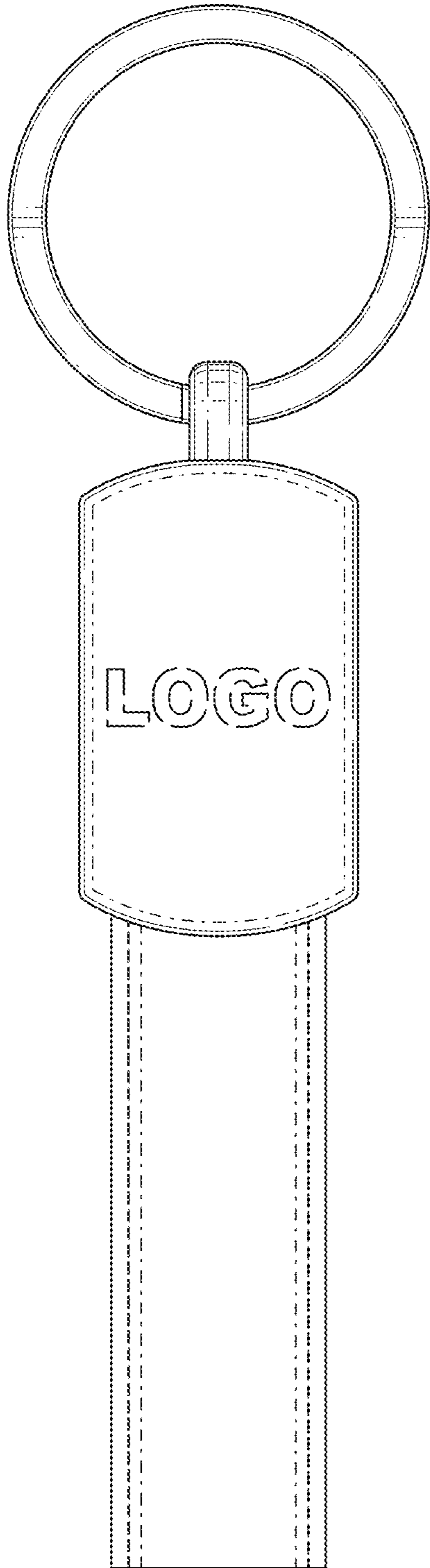


FIG. 3

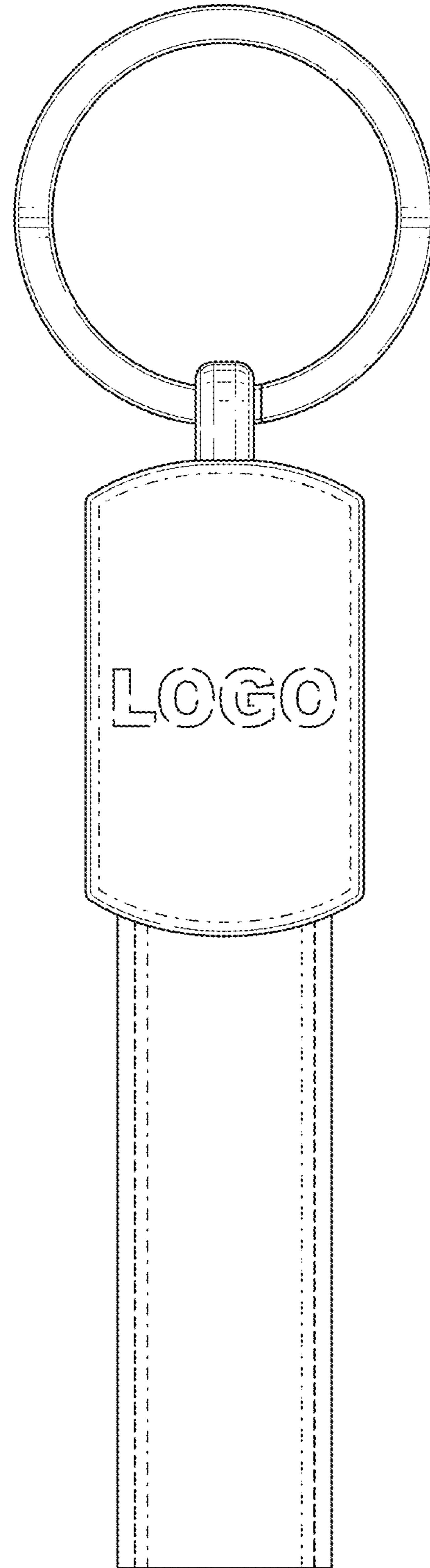


FIG. 4

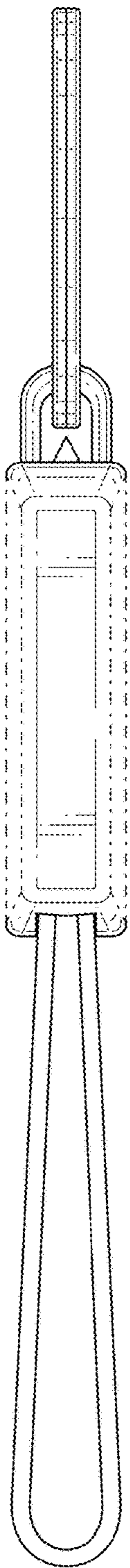


FIG. 5



FIG. 6

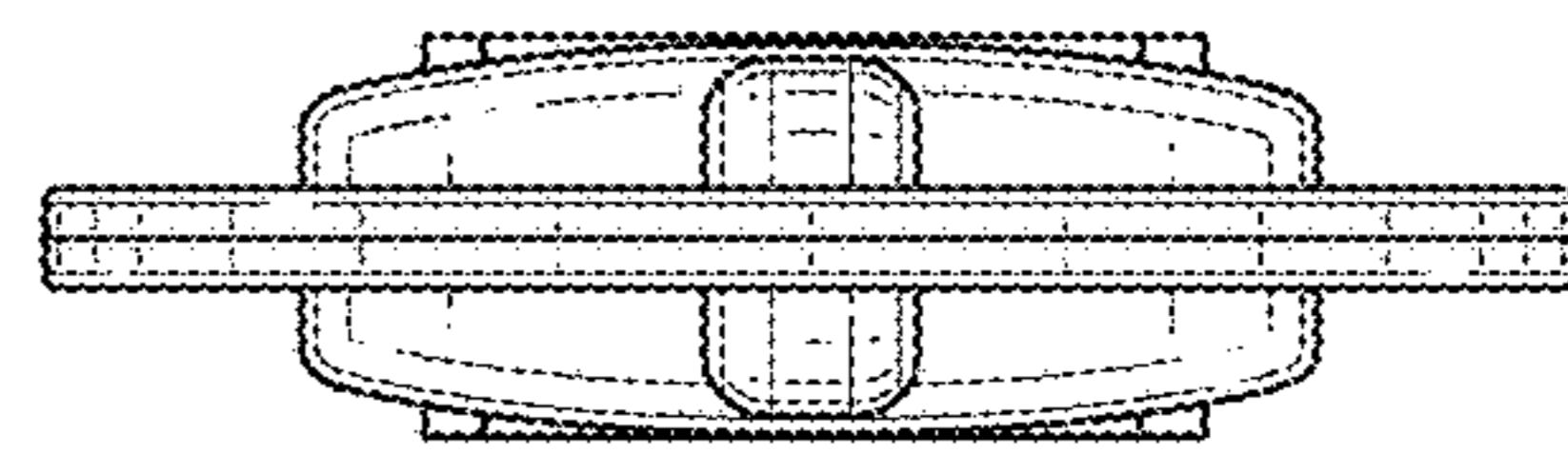


FIG. 7

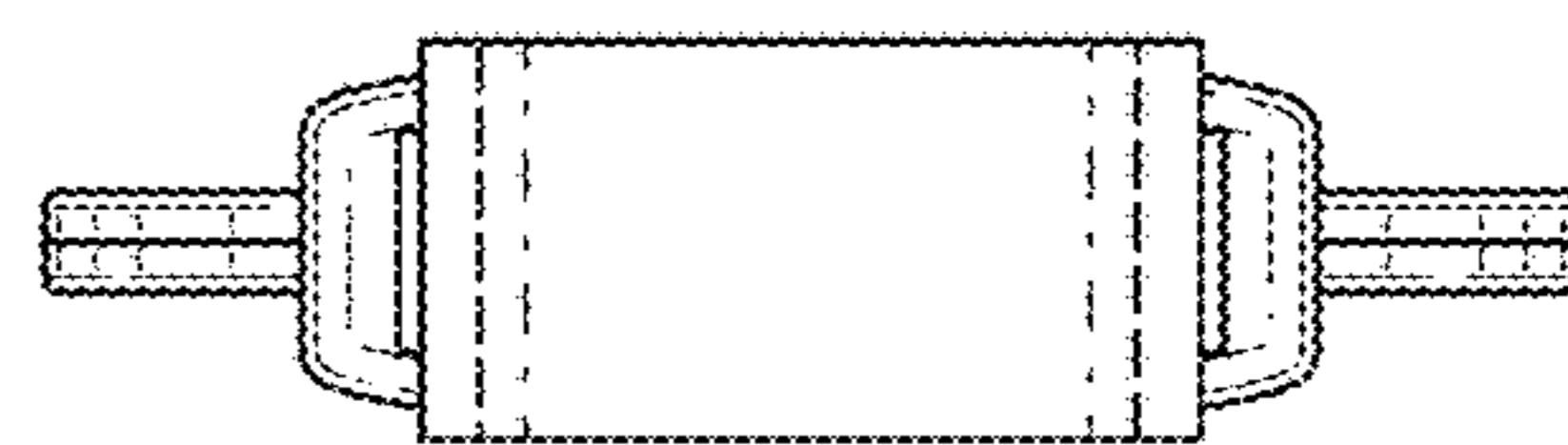


FIG. 8

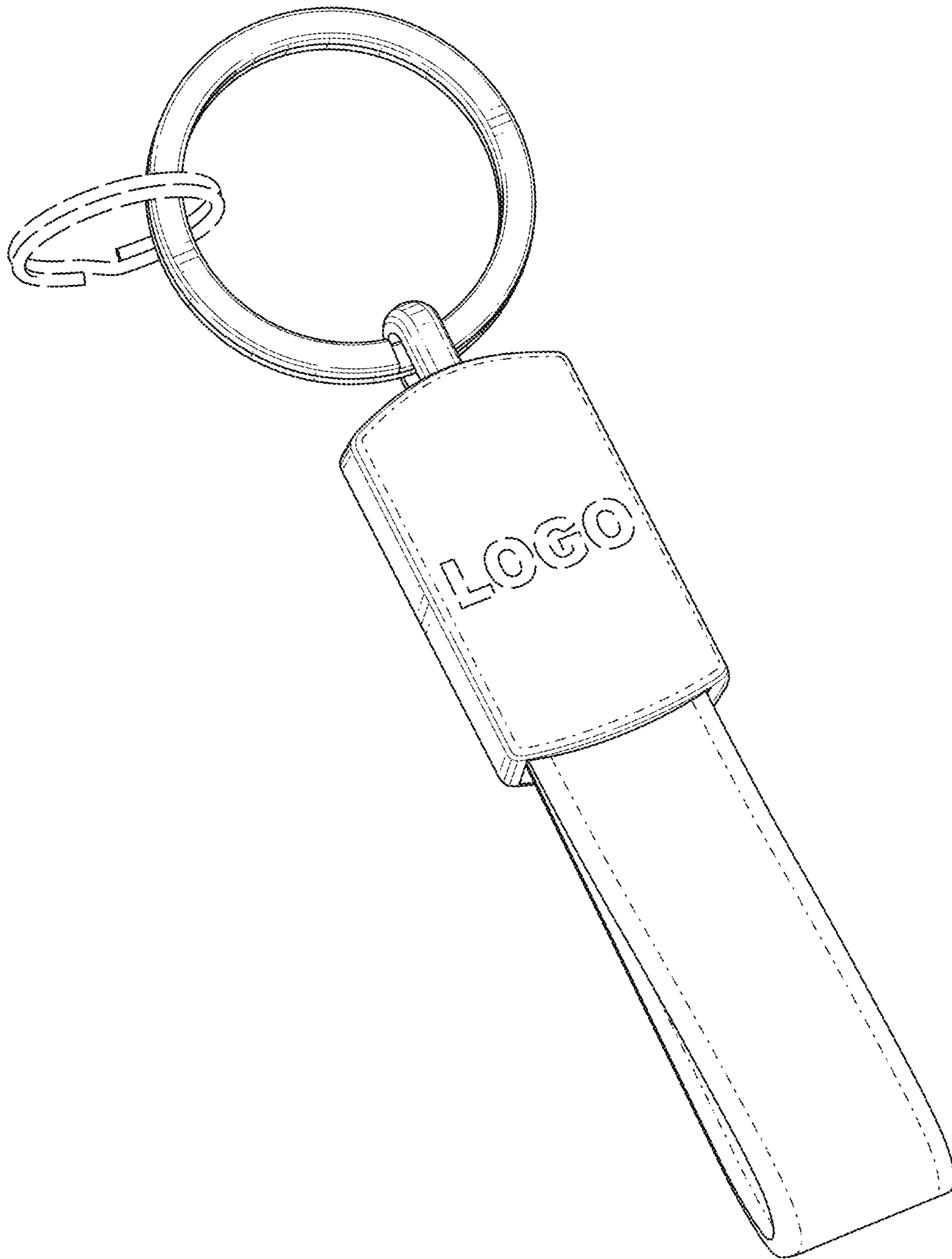


FIG. 9

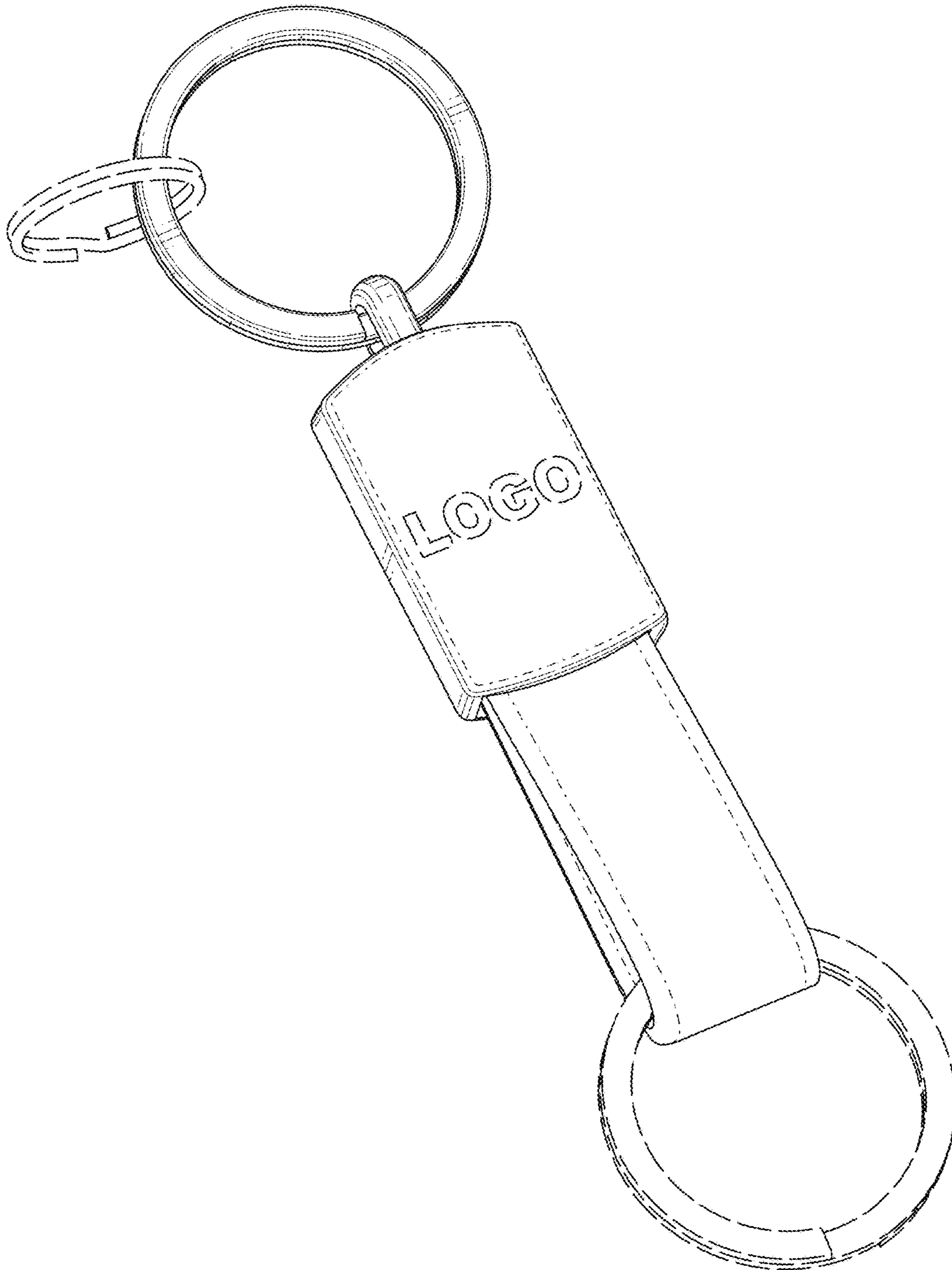


FIG. 10

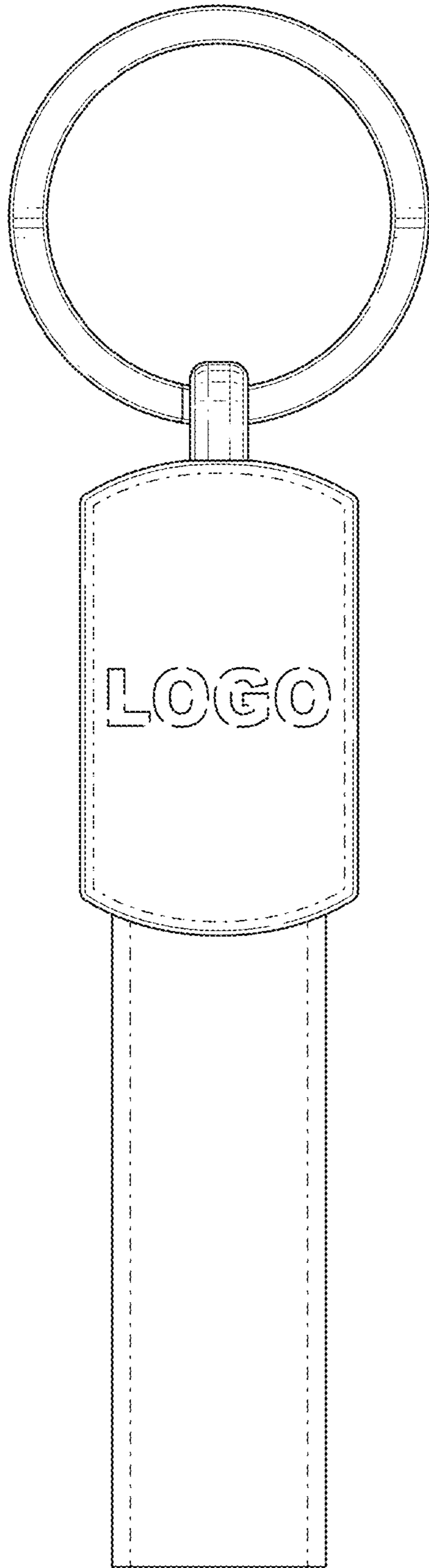


FIG. 11

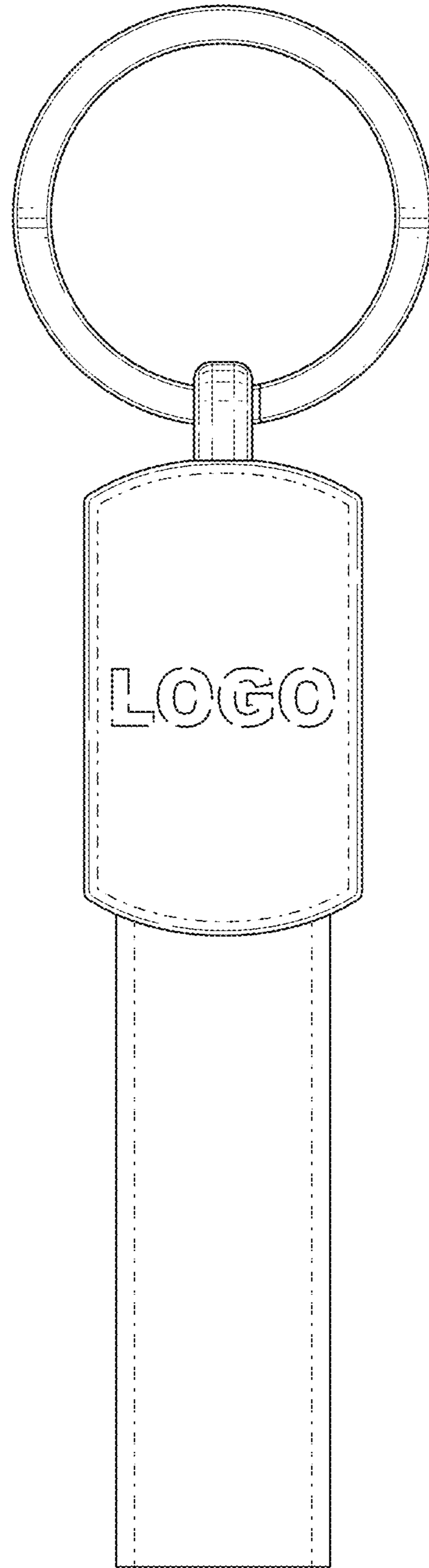


FIG. 12

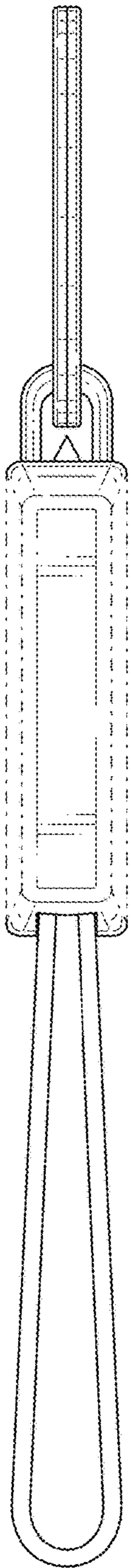


FIG. 13

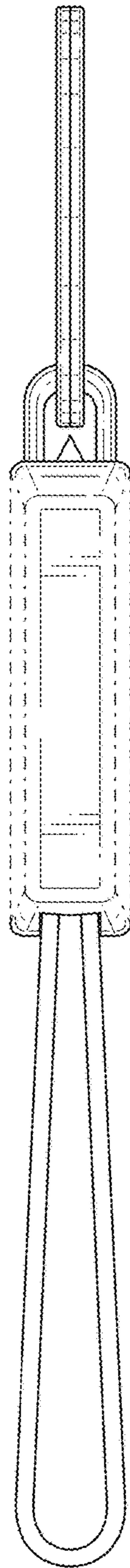


FIG. 14

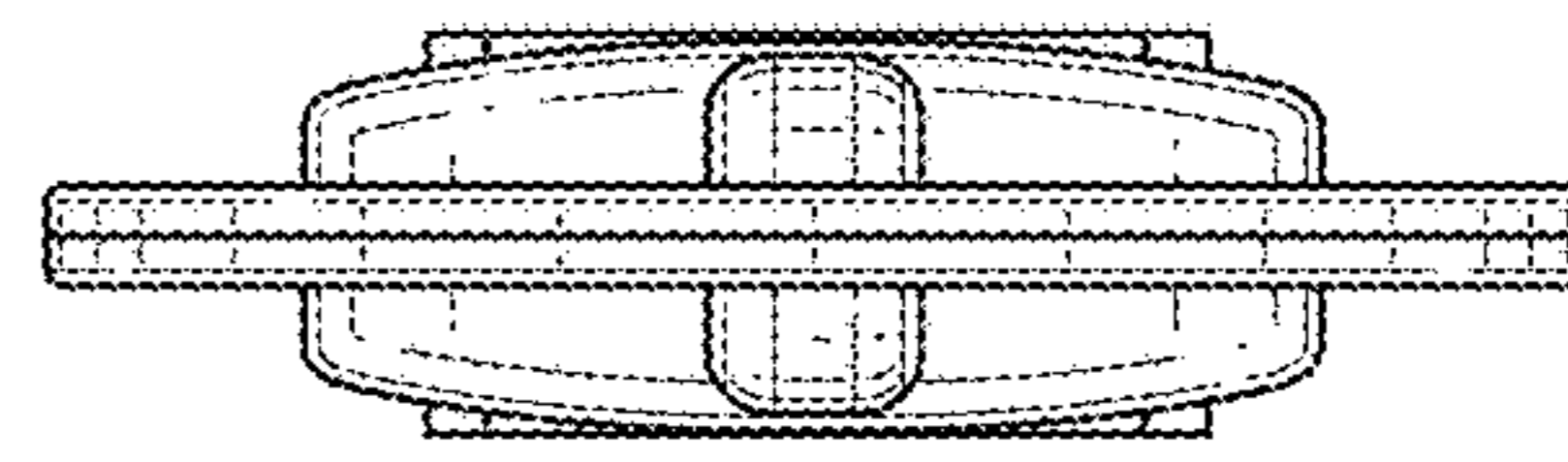


FIG. 15



FIG. 16