



US00D826549S

(12) **United States Design Patent**
Lospinoso et al.

(10) **Patent No.:** **US D826,549 S**

(45) **Date of Patent:** **** Aug. 28, 2018**

- (54) **SINGLE-USE PILL DISPENSER**
- (71) Applicants: **Maurice Lospinoso**, Marina Del Ray, CA (US); **Christopher Lospinoso**, Marina Del Rey, CA (US)
- (72) Inventors: **Maurice Lospinoso**, Marina Del Ray, CA (US); **Christopher Lospinoso**, Marina Del Rey, CA (US)
- (**) Term: **15 Years**
- (21) Appl. No.: **29/599,538**
- (22) Filed: **Apr. 4, 2017**
- (51) **LOC (11) Cl.** **03-01**
- (52) **U.S. Cl.**
USPC **D3/203.1; D3/203.2**
- (58) **Field of Classification Search**
USPC D3/201, 203.1, 203.2, 203.3; D7/700; D9/711, 777, 778, 779, 518, 529, 537, D9/416, 428
CPC B65D 1/09; B65D 1/16; B65D 2585/56; B65D 83/04; A61J 1/00; A61J 1/03; A61J 1/06
See application file for complete search history.

D621,724 S *	8/2010	Ziegler	D9/777
D645,340 S *	9/2011	Menard	D9/428
D652,266 S *	1/2012	Smyers	D7/630
D657,637 S *	4/2012	Gascoine	D7/700
D663,592 S *	7/2012	Bridges	D7/396.2
D682,089 S *	5/2013	Bourguignon	D9/428
D684,459 S *	6/2013	Stowe	D9/428
D693,687 S *	11/2013	Karay	D7/540
D694,112 S *	11/2013	Brown	D9/428
D698,649 S *	2/2014	Quint	D7/400
D716,648 S *	11/2014	Tan	D9/416
8,881,936 B2 *	11/2014	Crosby	B65D 1/26 220/669
D732,390 S *	6/2015	Trombetta	D9/428
D732,906 S *	6/2015	Anderson	D7/669
D733,555 S *	7/2015	Brady	D9/428
D737,678 S *	9/2015	Danenberg	D9/428
D743,785 S *	11/2015	Raphaelson	D9/428
D753,482 S *	4/2016	Serrano	D9/428
D753,954 S *	4/2016	Schreiber	D7/400
D756,771 S *	5/2016	Covey	D7/400
D772,025 S *	11/2016	Salzl	D7/700

(Continued)

Primary Examiner — John Windmuller
Assistant Examiner — Steven Czyz
(74) *Attorney, Agent, or Firm* — Locke Lord LLP

(57) **CLAIM**

An ornamental design for a single-use pill dispenser, as shown and described herein.

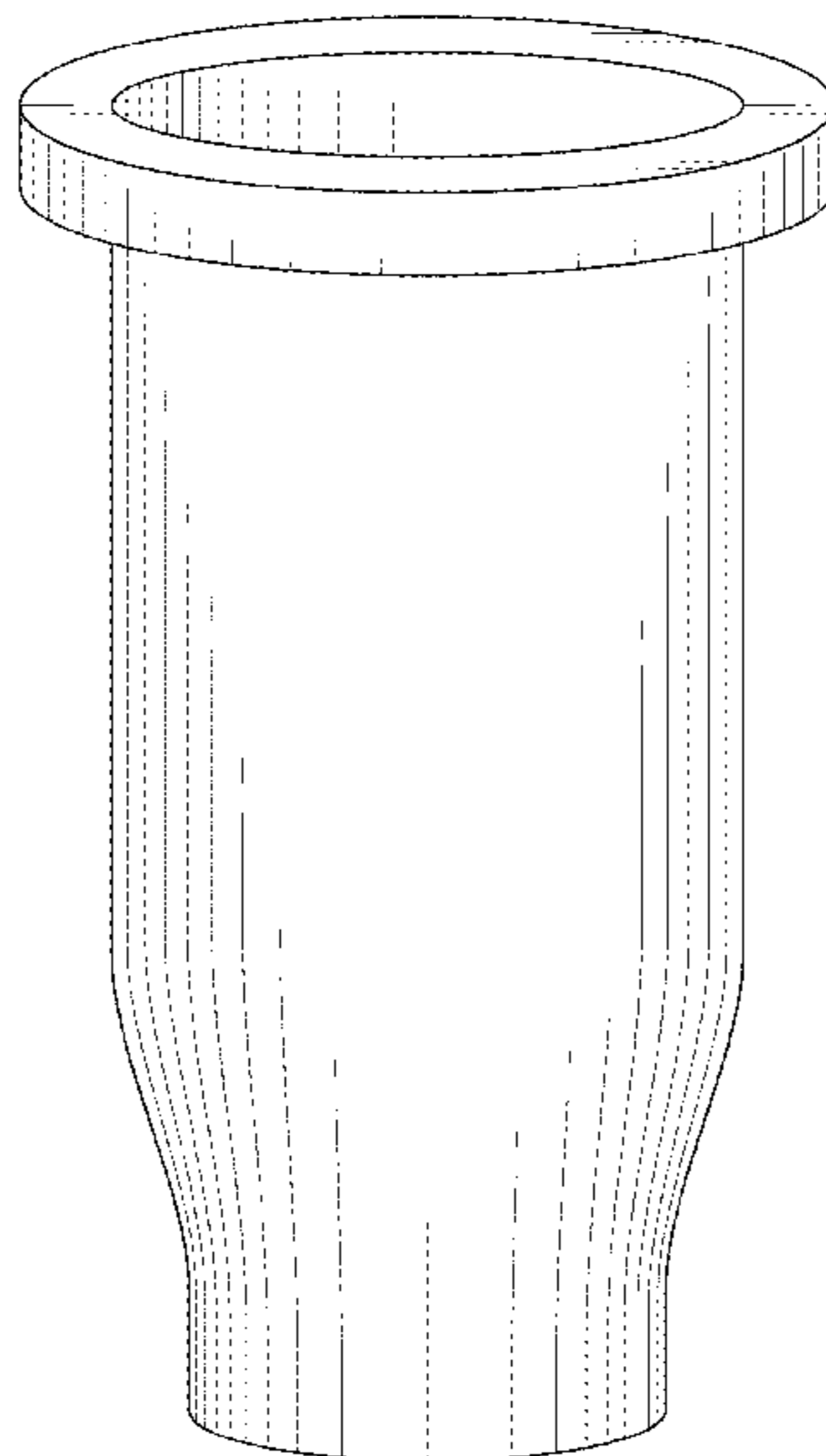
DESCRIPTION

FIG. 1 is a perspective view of a single-use pill dispenser according to our new design;
FIG. 2 is a side view of the single-use pill dispenser according to our new design;
FIG. 3 is a top view of the single-use pill dispenser according to our new design; and,
FIG. 4 is a bottom view of the single-use pill dispenser according to our new design.

1 Claim, 3 Drawing Sheets

(56) **References Cited**
U.S. PATENT DOCUMENTS

D201,586 S *	7/1965	Erkers et al.	D9/443
D285,656 S *	9/1986	Champion	D7/511
D285,999 S *	10/1986	Ludwick	D7/523
D310,781 S *	9/1990	Scott, III	D9/504
D334,427 S *	3/1993	Palazzolo	D24/176
D369,971 S *	5/1996	Brauner	D9/428
D480,931 S *	10/2003	Martin	D7/700
D587,071 S *	2/2009	Roth	D7/523
D604,157 S *	11/2009	Reiterer	D9/416
D617,644 S *	6/2010	Leventhal	D9/517
D620,791 S *	8/2010	Grajcar	D9/428



(56)

References Cited

U.S. PATENT DOCUMENTS

9,730,859 B2 * 8/2017 James A61J 1/06
D812,473 S * 3/2018 Fenner D9/444

* cited by examiner

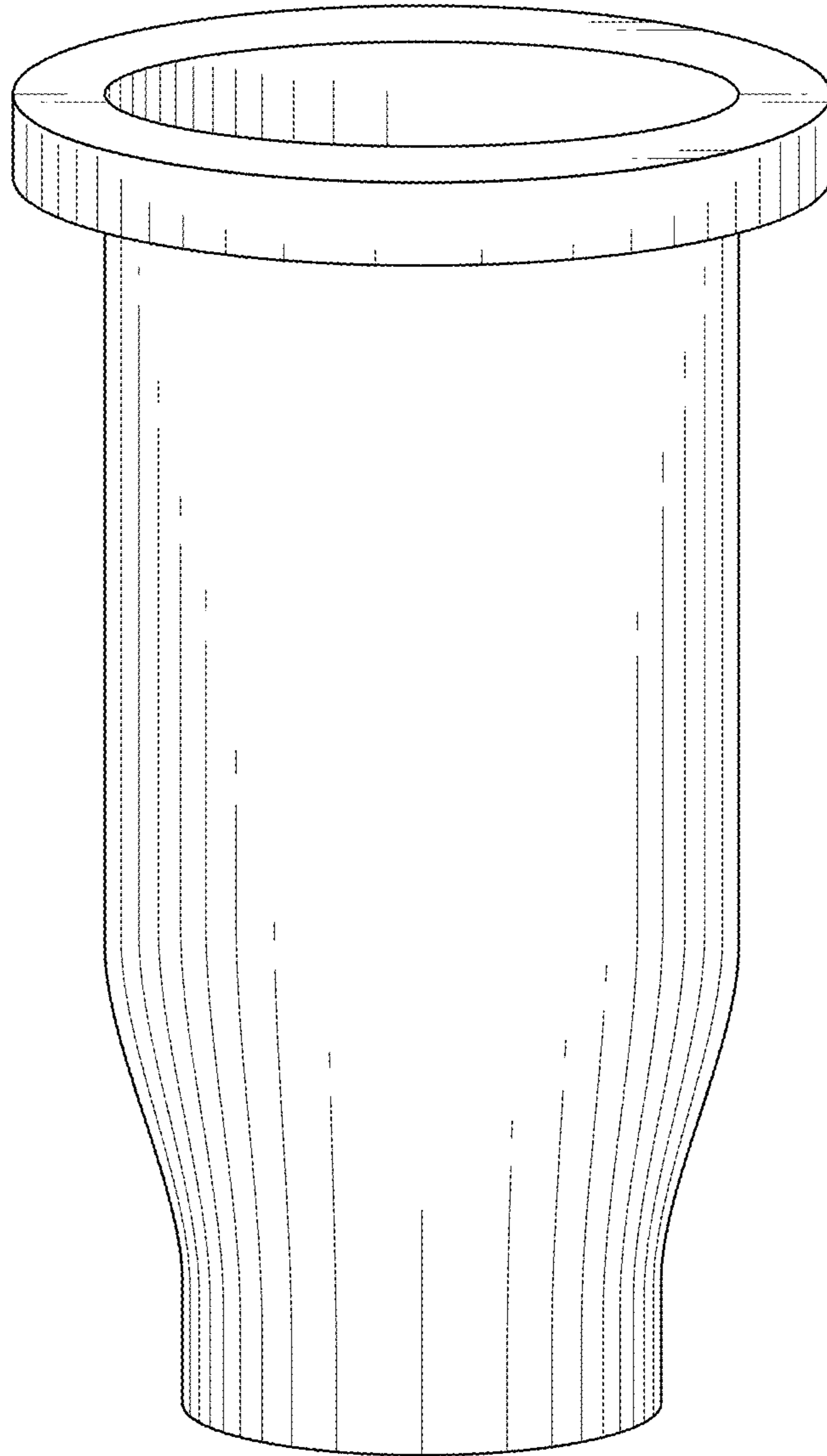


FIG. 1

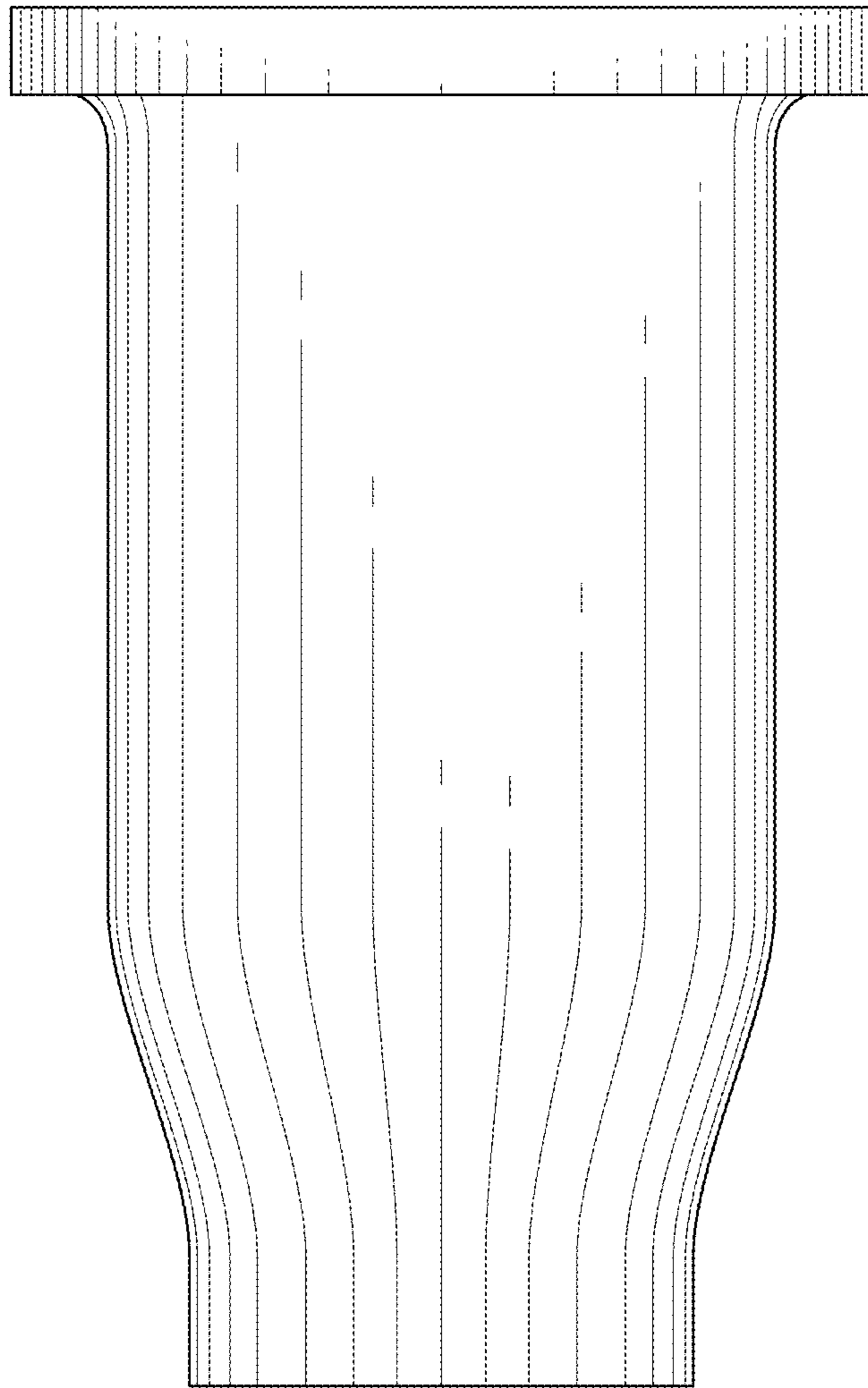


FIG. 2

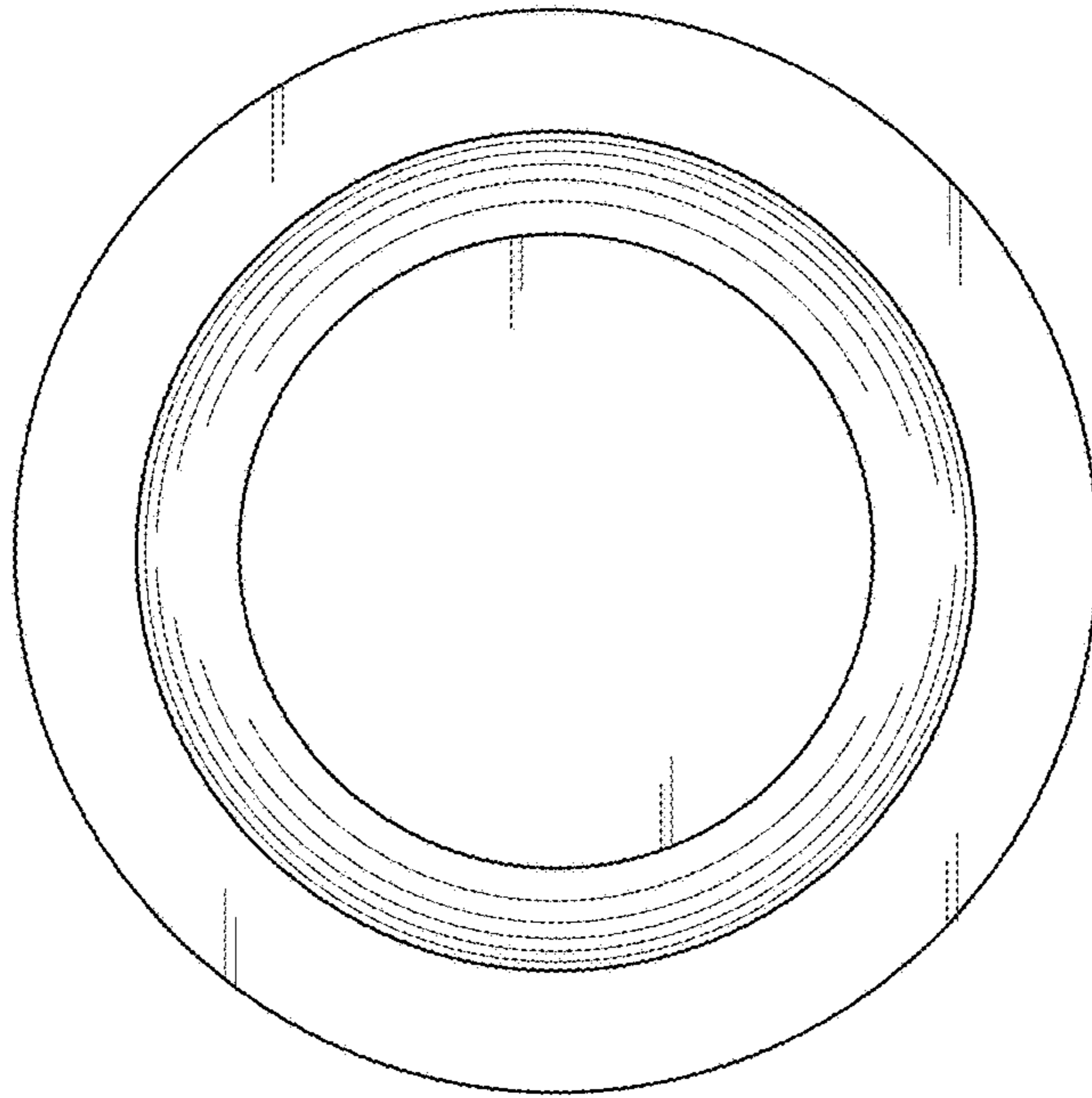


FIG. 3

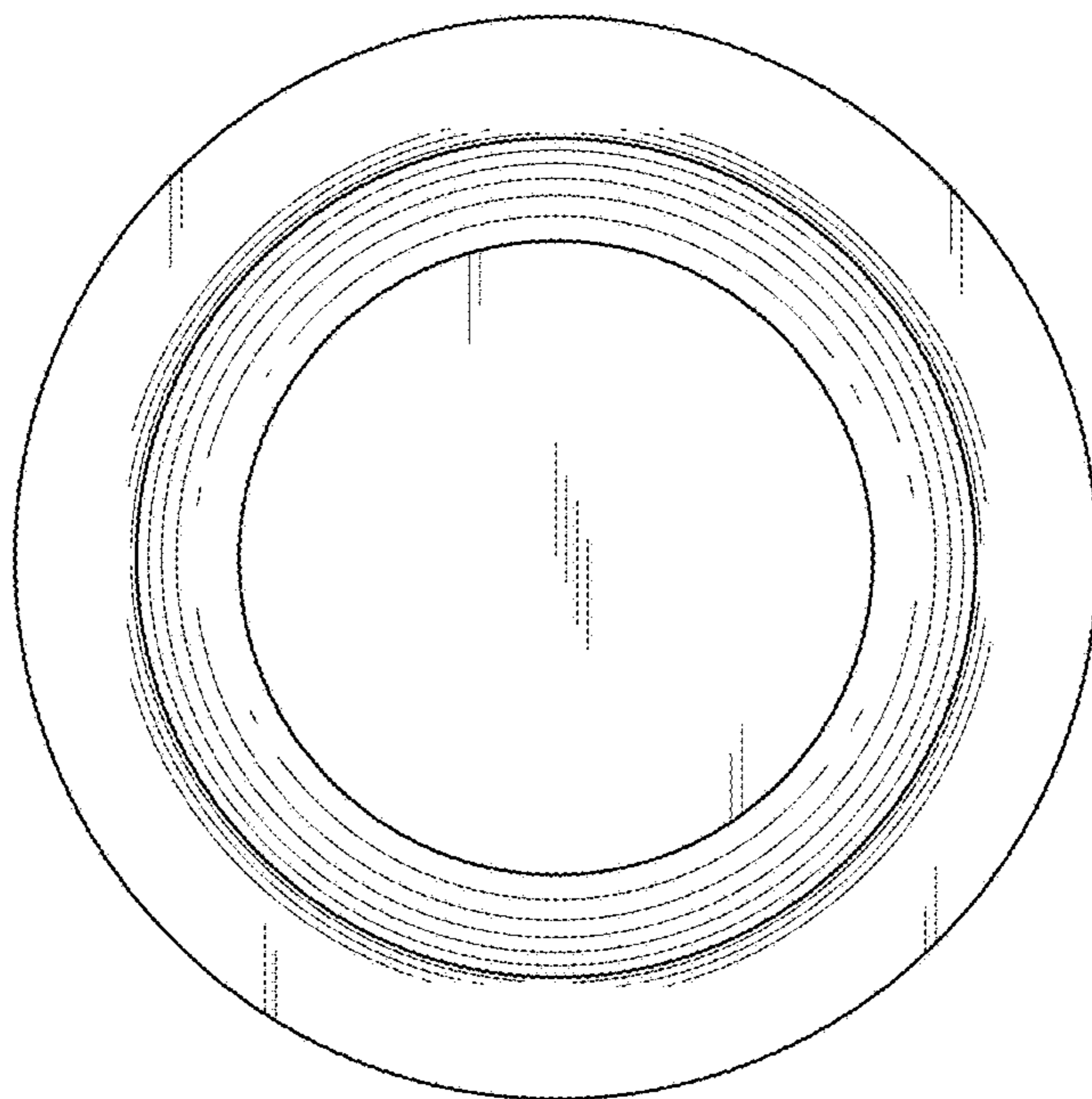


FIG. 4