



US00D826546S

(12) **United States Design Patent** (10) **Patent No.:** **US D826,546 S**
Brothers (45) **Date of Patent:** **** Aug. 28, 2018**

(54) **VACUUM BREAST PUMP ENCLOSURE DEVICE**

D446,937 S * 8/2001 Mogil A45C 7/0077
 D3/273
 D457,307 S * 5/2002 Pukall D3/216
 D473,051 S * 4/2003 Hassett D3/263
 D476,480 S * 7/2003 Hillman D3/263
 D507,875 S * 8/2005 Hillman D3/267

(71) Applicant: **Timothy J Brothers**, Somerville, MA (US)

(72) Inventor: **Timothy J Brothers**, Somerville, MA (US)

(73) Assignee: **Mighty Mom, LLC**, Somerville, MA (US)

(**) Term: **15 Years**

(21) Appl. No.: **29/578,352**

(22) Filed: **Sep. 21, 2016**

(Continued)
Primary Examiner — John Windmuller
Assistant Examiner — Steven J Czyz
 (74) *Attorney, Agent, or Firm* — Ascentage Patent Law, LLC; Travis Lee Johnson; David S. Einfeldt

(57) **CLAIM**

The ornamental design for a vacuum breast pump enclosure device, as shown and described.

DESCRIPTION

FIG. 1 is a front view of a vacuum breast pump enclosure device in accordance with the claimed invention
 FIG. 2 is a rear view of the vacuum breast pump enclosure device of FIG. 1 in accordance with the claimed invention;
 FIG. 3 is a side view of the vacuum breast pump enclosure device of FIG. 1 in accordance with the claimed invention;
 FIG. 4 is an opposing side view of the vacuum breast pump enclosure device of FIG. 1 in accordance with the claimed invention;
 FIG. 5 is a top view of the vacuum breast pump enclosure device of FIG. 1 in accordance with the claimed invention;
 FIG. 6 is a bottom view of the vacuum breast pump enclosure device of FIG. 1 in accordance with the claimed invention; and,
 FIG. 7 is a front perspective view of the vacuum breast pump enclosure device of FIG. 1 in accordance with the claimed invention.

The broken lines, including broken lines depicting stitching, depict portions of the vacuum breast pump enclosure device which form no part of the claimed design.

1 Claim, 4 Drawing Sheets

Related U.S. Application Data

(63) Continuation of application No. 29/578,115, filed on Sep. 19, 2016.

(51) **LOC (11) Cl.** **03-01**

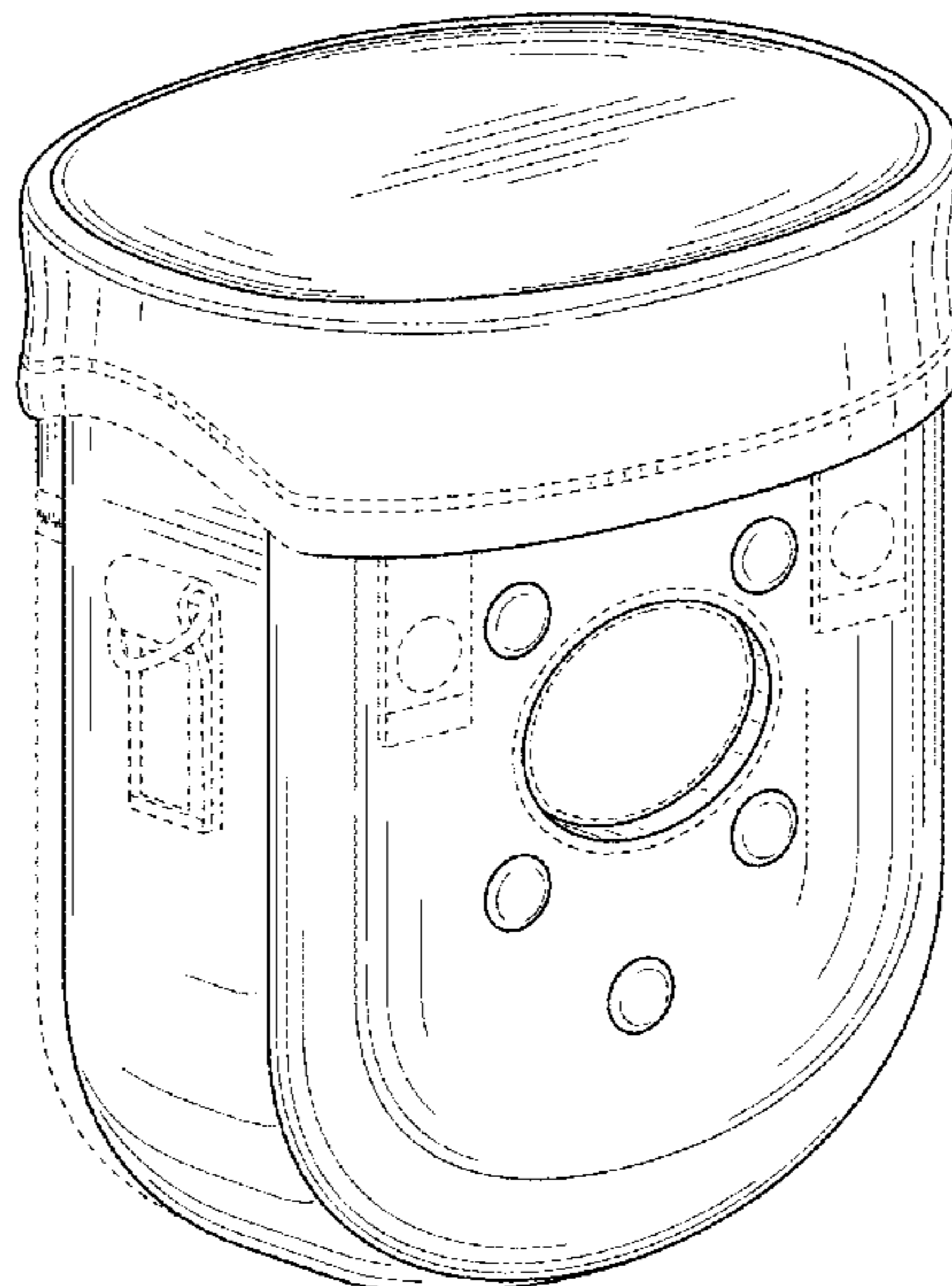
(52) **U.S. Cl.**
USPC **D3/201**

(58) **Field of Classification Search**
 USPC D3/201, 203.1, 269, 273, 274, 276, 287, D3/302
 CPC A45C 2011/007; A45C 11/00; A45F 2003/003; A45F 5/00; A45F 2200/05
 See application file for complete search history.

(56) **References Cited**

U.S. PATENT DOCUMENTS

D370,123 S * 5/1996 Klinger D3/231
 D394,552 S * 5/1998 Melk D3/287
 D403,157 S * 12/1998 Liu D3/287
 D418,287 S * 1/2000 Moor D3/201
 D428,700 S * 8/2000 Hillman D3/201



(56)

References Cited

U.S. PATENT DOCUMENTS

7,162,890 B2 * 1/2007 Mogil A45C 11/20
62/457.7
D546,552 S * 7/2007 Dawson D3/203.1
D576,785 S * 9/2008 TerMeer D3/201
D588,798 S * 3/2009 Combs, Jr. D3/203.1
7,669,436 B2 * 3/2010 Mogil A45C 11/20
62/457.7
D663,945 S * 7/2012 Bouskill D3/203.1
D668,037 S * 10/2012 London D3/203.1
D723,263 S * 3/2015 Zhuang D3/203.1
D725,908 S * 4/2015 Zwetzig D3/283
D728,234 S * 5/2015 Muller D3/201
D734,606 S * 7/2015 Donahue D3/203.1
D749,836 S * 2/2016 Park D3/203.1
D765,967 S * 9/2016 Boroski D3/232
2002/0158093 A1 * 10/2002 Westimayer A01M 31/02
224/155

* cited by examiner

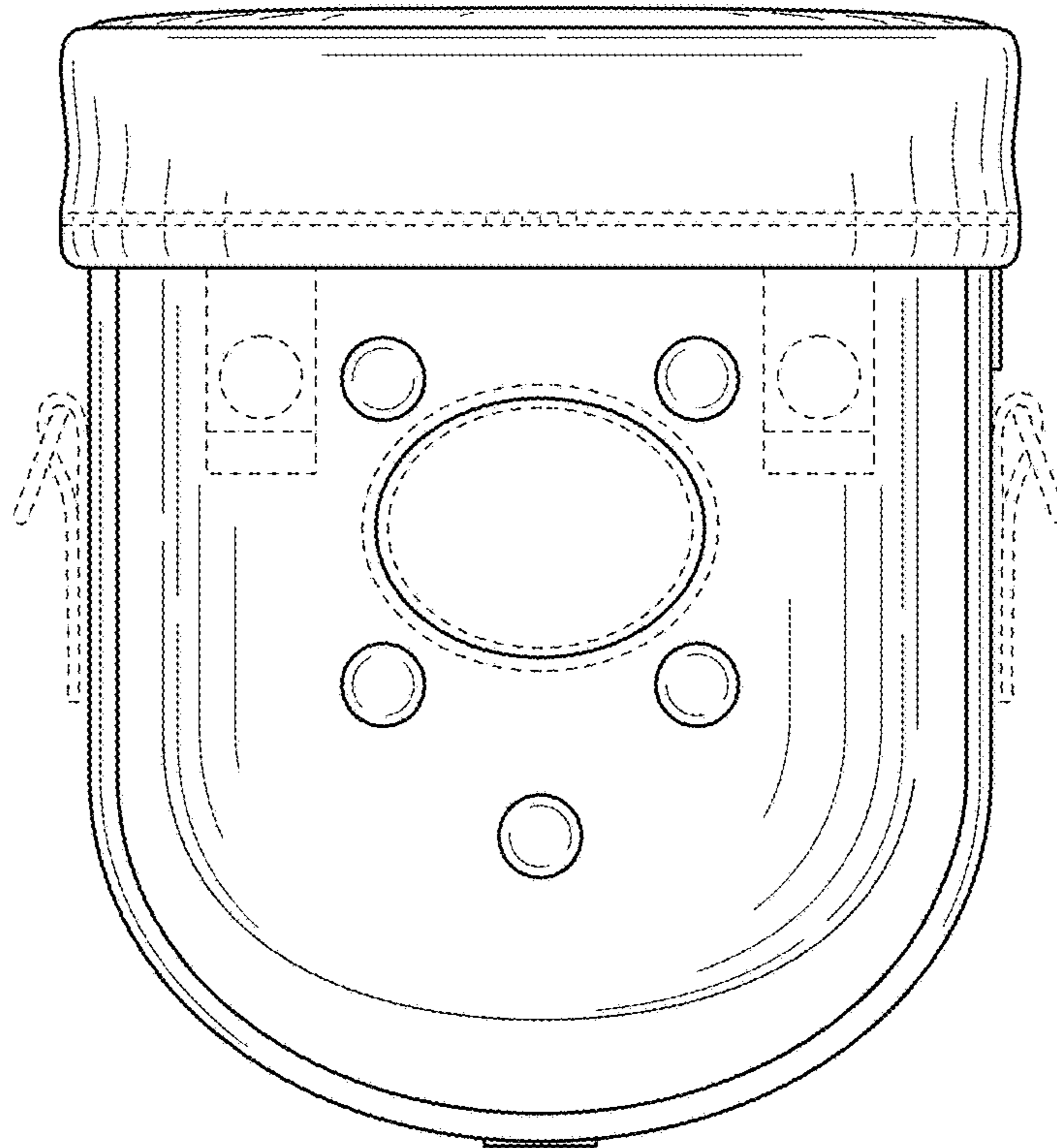


FIG. 1

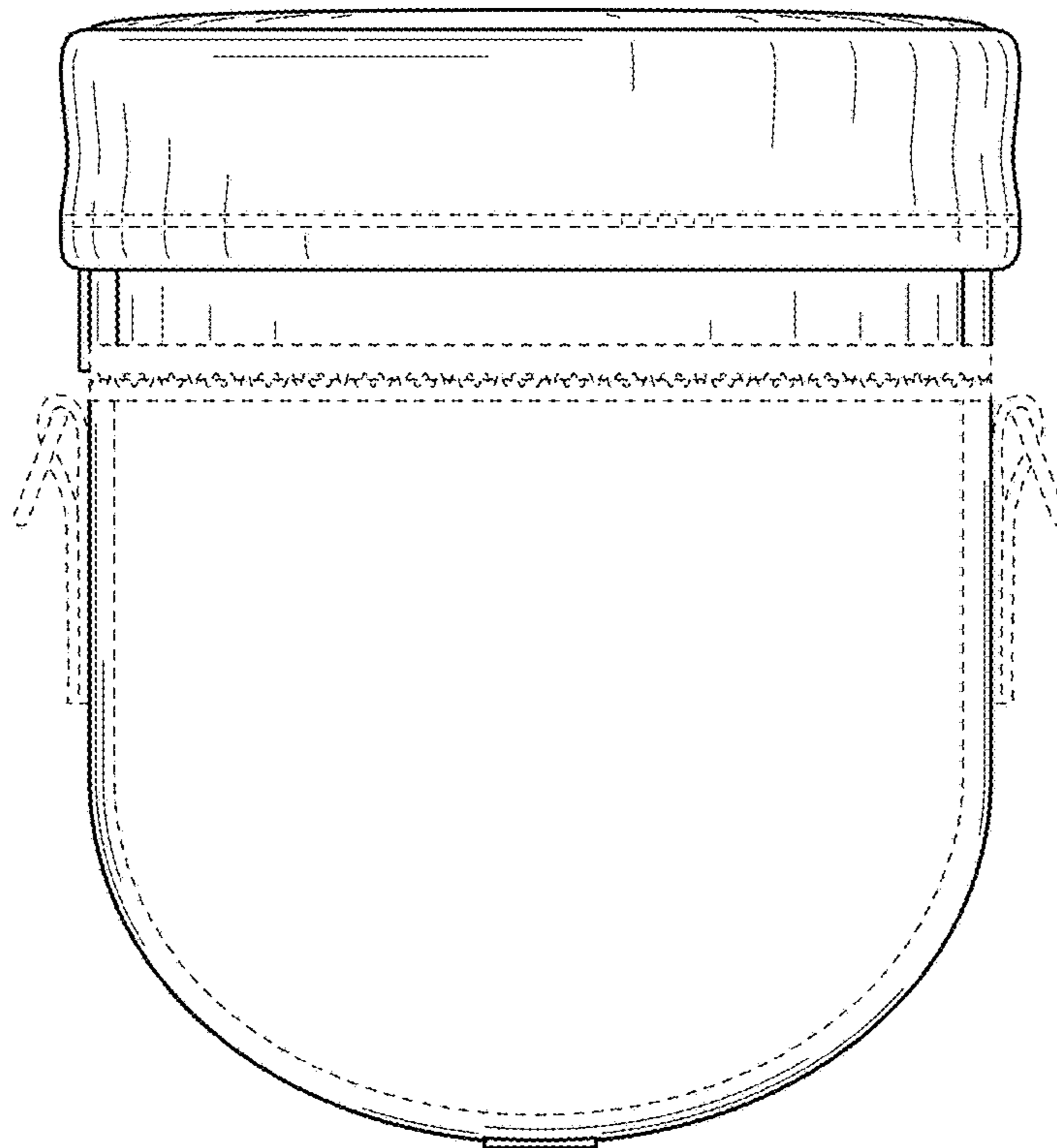


FIG. 2

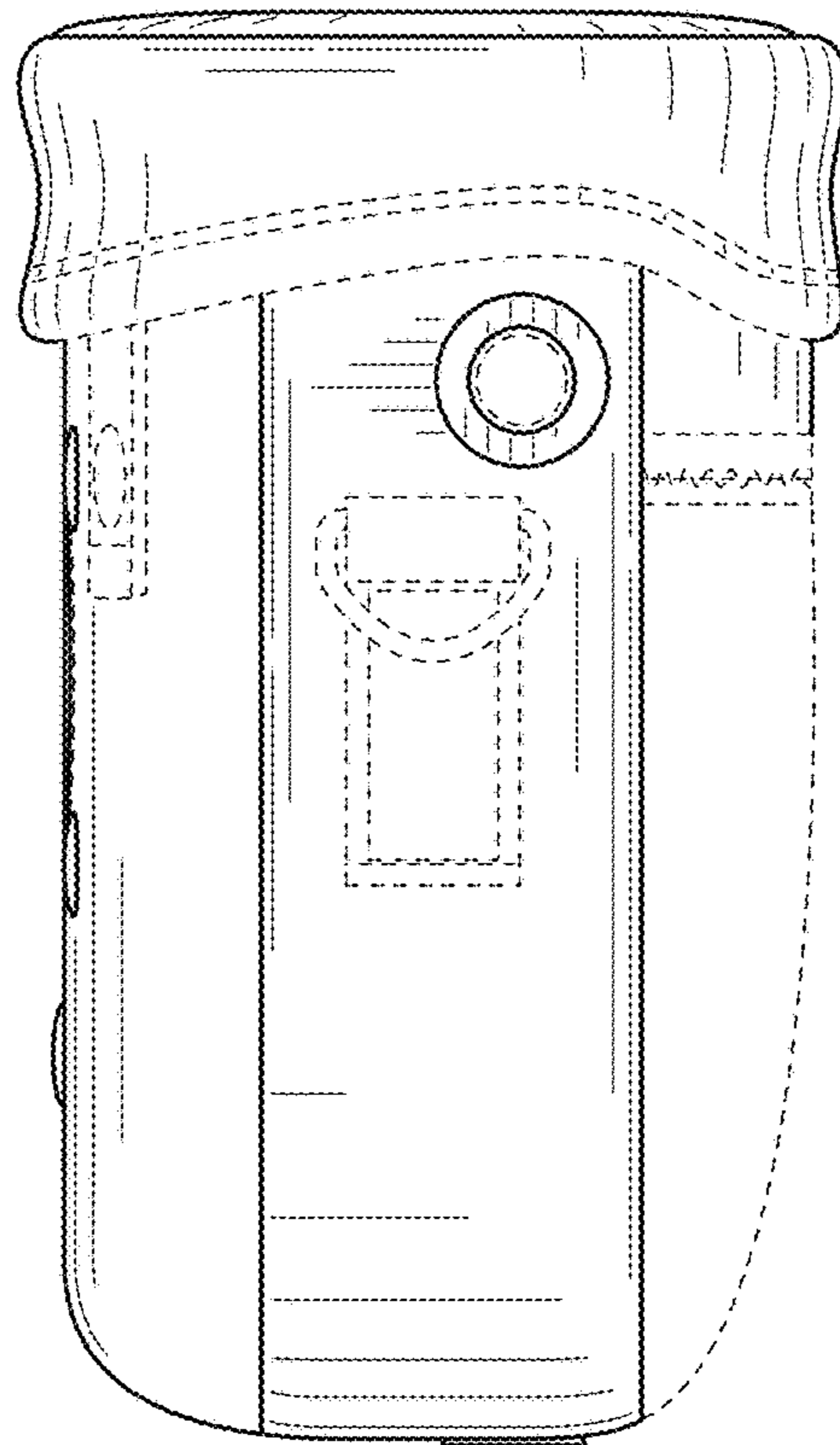


FIG. 3

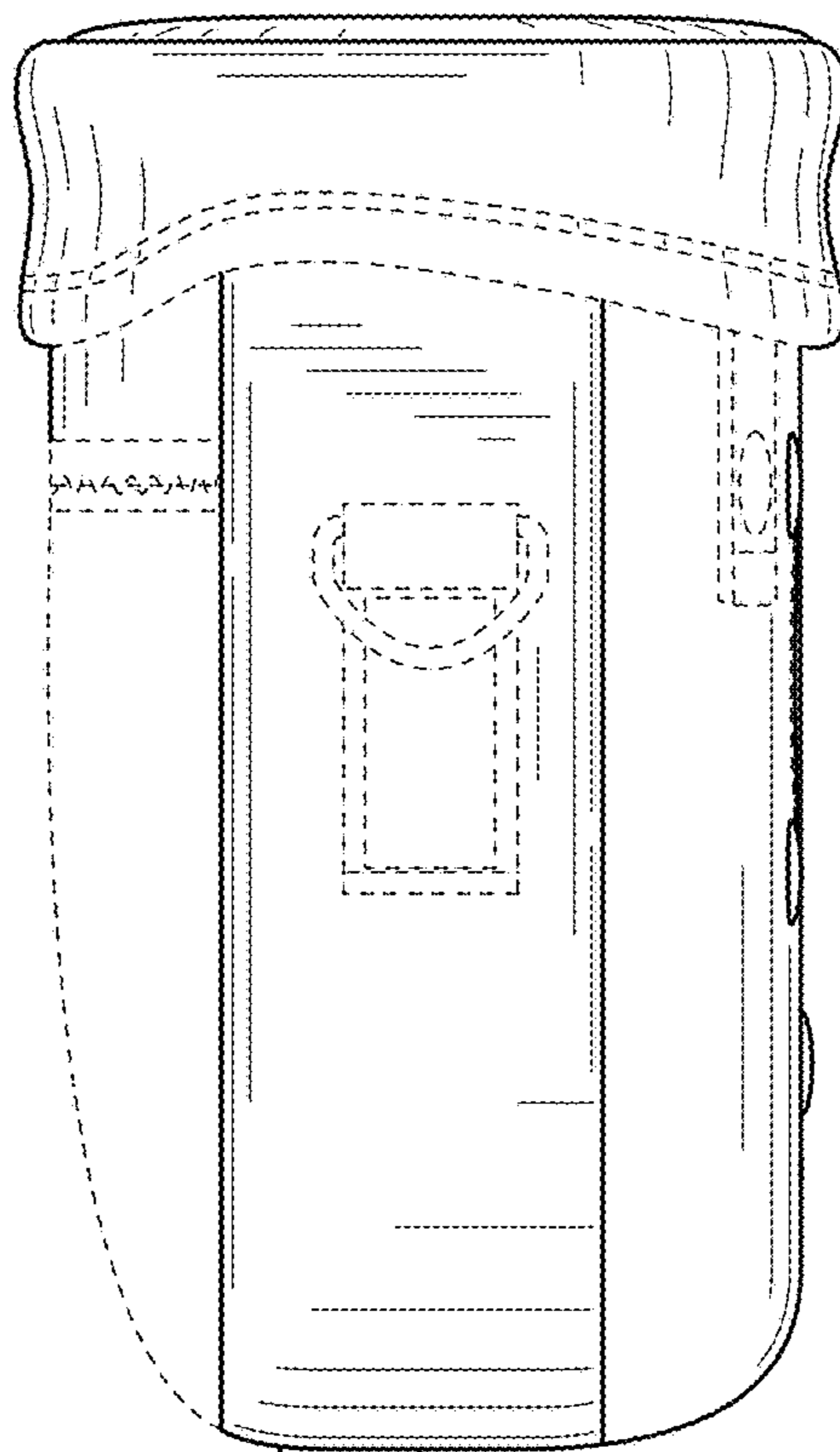


FIG. 4

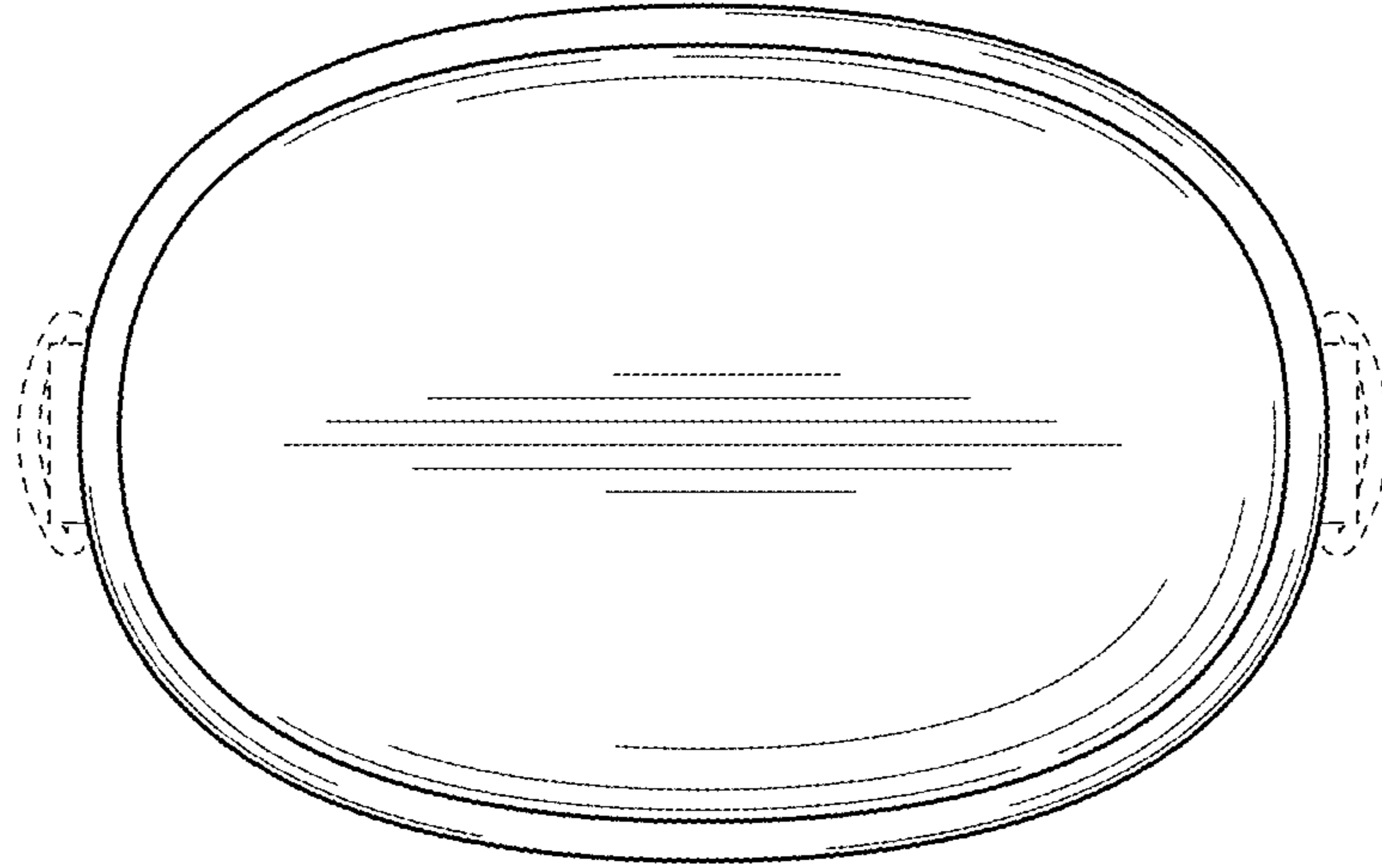


FIG. 5

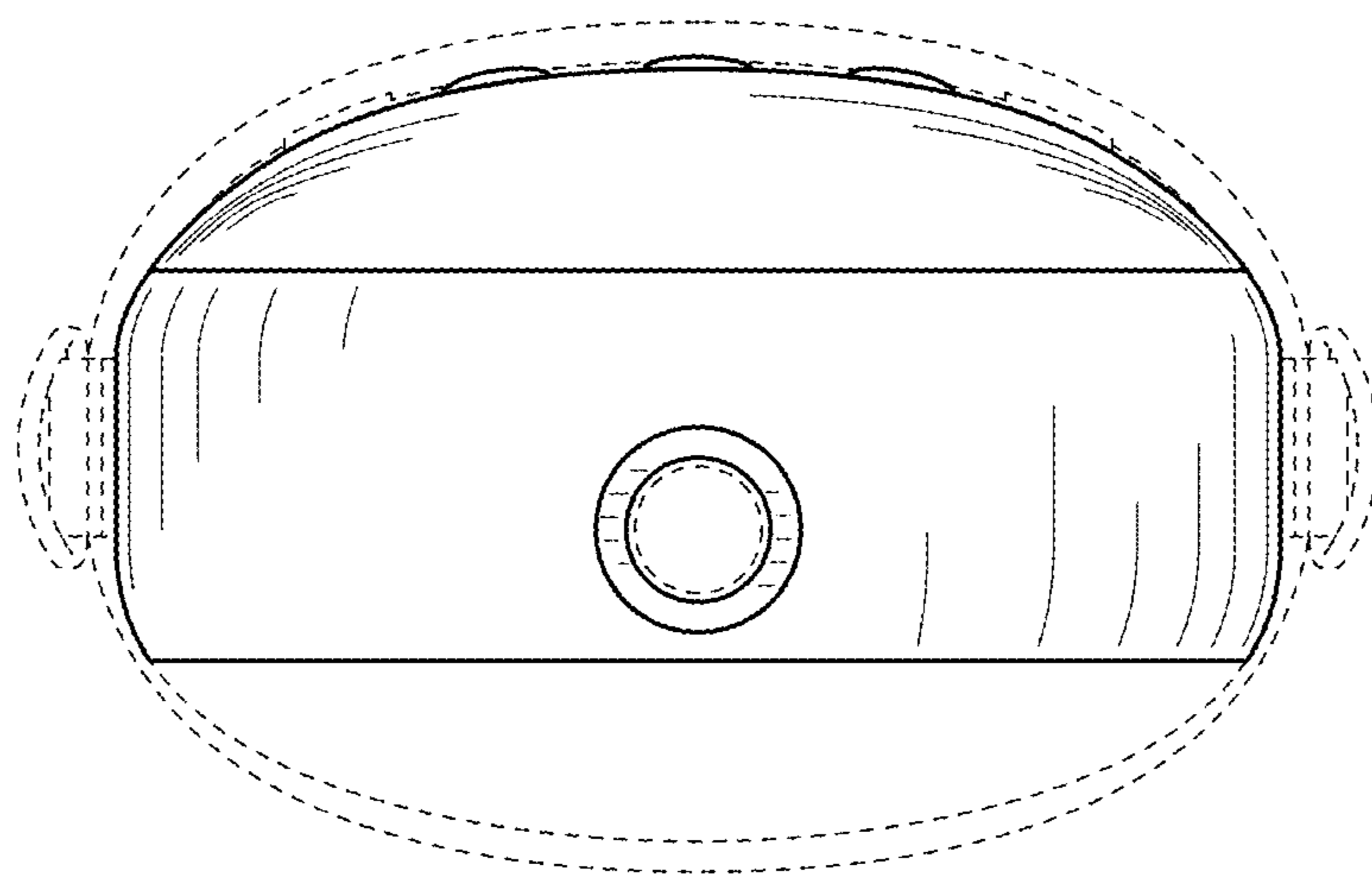


FIG. 6

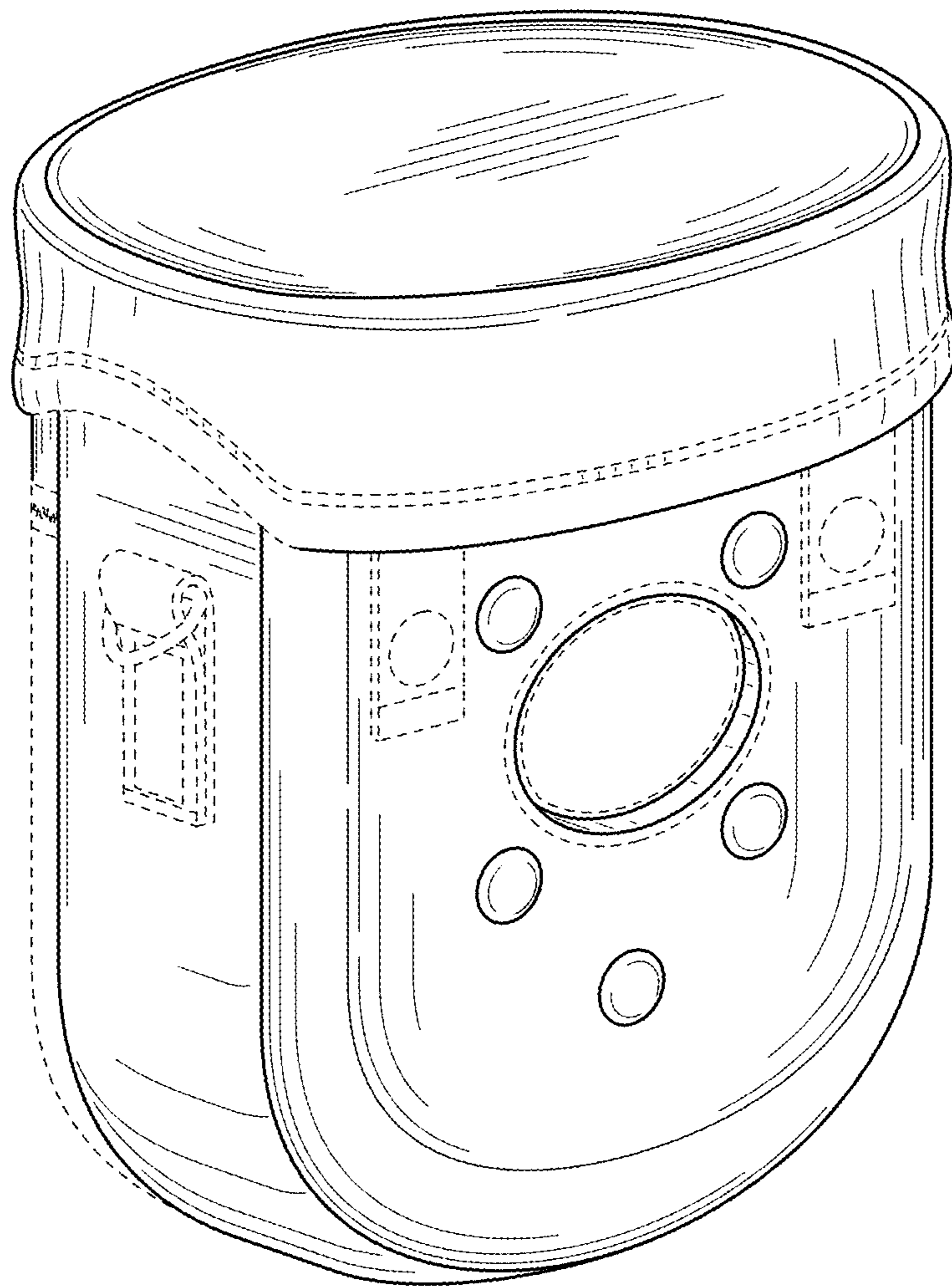


FIG. 7