



US00D826545S

(12) **United States Design Patent**
Brothers

(10) **Patent No.:** **US D826,545 S**

(45) **Date of Patent:** **** Aug. 28, 2018**

(54) **VACUUM BREAST PUMP ENCLOSURE
DEVICE**

(71) Applicant: **Timothy J Brothers**, Somerville, MA
(US)

(72) Inventor: **Timothy J Brothers**, Somerville, MA
(US)

(73) Assignee: **Mighty Mom, LLC**, Somerville, MA
(US)

(**) Term: **15 Years**

(21) Appl. No.: **29/578,115**

(22) Filed: **Sep. 19, 2016**

(51) **LOC (11) Cl.** **03-01**

(52) **U.S. Cl.**
USPC **D3/201**

(58) **Field of Classification Search**
USPC D3/201, 269, 273, 274, 276, 287, 302,
D3/203.1

CPC A45C 2011/007; A45C 11/00; A45F
2003/003; A45F 5/00; A45F 2200/05
See application file for complete search history.

(56) **References Cited**

U.S. PATENT DOCUMENTS

D370,123 S *	5/1996	Klinger	D3/231
D394,552 S *	5/1998	Melk	D3/287
D403,157 S *	12/1998	Liu	D3/287
D418,287 S *	1/2000	Moor	D3/201
D428,700 S *	8/2000	Hillman	D3/201
D446,937 S *	8/2001	Mogil	A45C 7/0077 D3/273
D457,307 S *	5/2002	Pukall	D3/216
D473,051 S *	4/2003	Hassett	D3/263
D476,480 S *	7/2003	Hillman	D3/263

D507,875 S *	8/2005	Hillman	D3/267
7,162,890 B2 *	1/2007	Mogil	A45C 11/20 62/457.7
D546,552 S *	7/2007	Dawson	D3/203.1
D576,785 S *	9/2008	TerMeer	D3/201
D588,798 S *	3/2009	Combs, Jr.	D3/203.1

(Continued)

Primary Examiner — John Windmuller

Assistant Examiner — Steven J Czyz

(74) *Attorney, Agent, or Firm* — Ascentage Patent Law,
LLC; Travis Lee Johnson; David S. Einfeldt

(57) **CLAIM**

The ornamental design for a vacuum breast pump enclosure device, as shown and described.

DESCRIPTION

FIG. 1 is a rear view of a vacuum breast pump enclosure device in accordance with the claimed invention

FIG. 2 is a front view of the vacuum breast pump enclosure device of FIG. 1 in accordance with the claimed invention;

FIG. 3 is a side view of the vacuum breast pump enclosure device of FIG. 1 in accordance with the claimed invention;

FIG. 4 is an opposing side view of the vacuum breast pump enclosure device of FIG. 1 in accordance with the claimed invention;

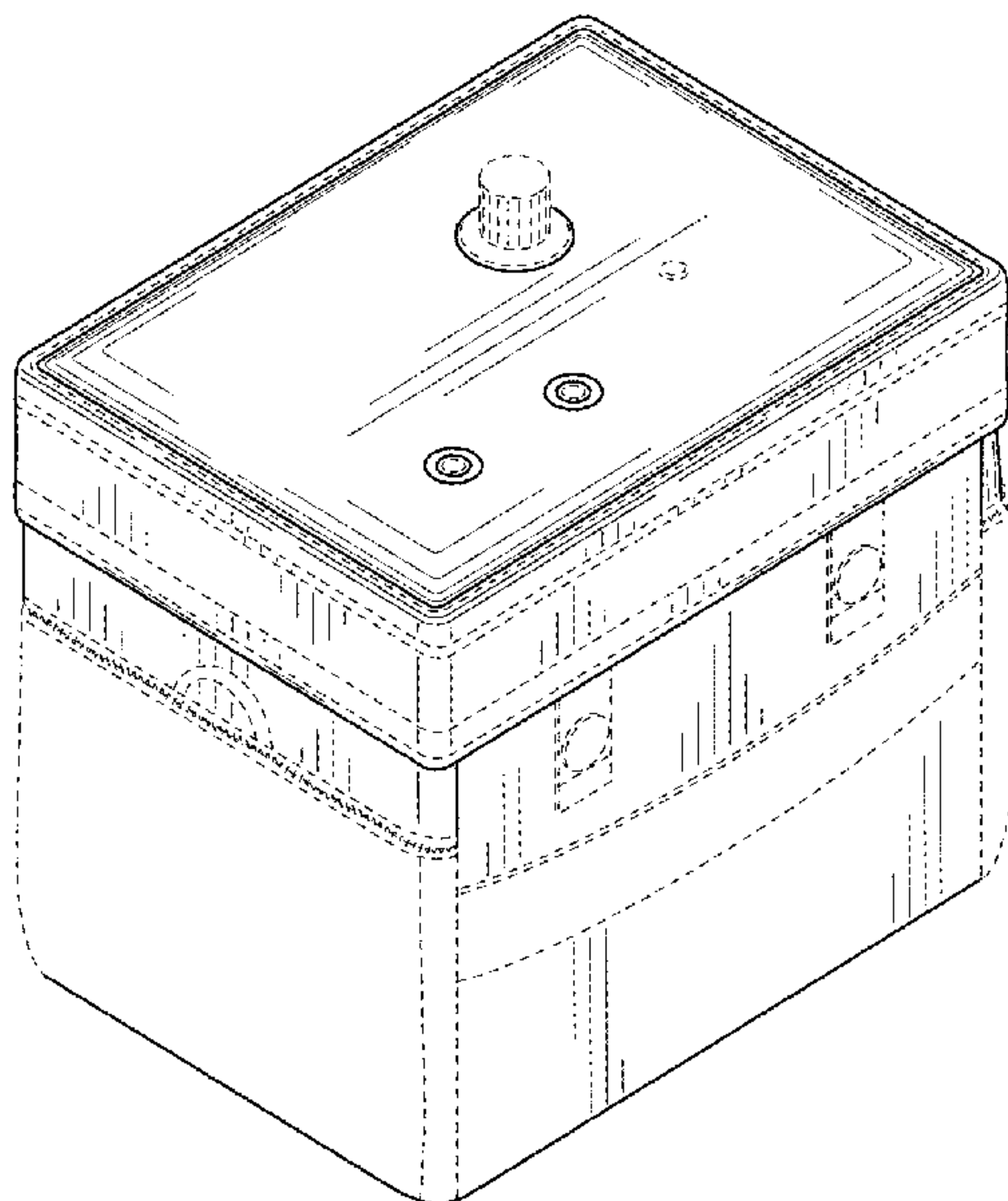
FIG. 5 is a top view of the vacuum breast pump enclosure device of FIG. 1 in accordance with the claimed invention;

FIG. 6 is a bottom view of the vacuum breast pump enclosure device of FIG. 1 in accordance with the claimed invention; and,

FIG. 7 is a front perspective view of the vacuum breast pump enclosure device of FIG. 1 in accordance with the claimed invention.

The broken lines, including broken lines depicting stitching, depict portions of the vacuum breast pump enclosure device which form no part of the claimed design.

1 Claim, 4 Drawing Sheets



(56)

References Cited

U.S. PATENT DOCUMENTS

7,669,436 B2 * 3/2010 Mogil A45C 11/20
62/457.7
D663,945 S * 7/2012 Bouskill D3/203.1
D668,037 S * 10/2012 London D3/203.1
D723,263 S * 3/2015 Zhuang D3/203.1
D725,908 S * 4/2015 Zwetzig D3/283
D728,234 S * 5/2015 Muller D3/201
D734,606 S * 7/2015 Donahue D3/203.1
D749,836 S * 2/2016 Park D3/203.1
D765,967 S * 9/2016 Boroski D3/232
2002/0158093 A1 * 10/2002 Westimayer A01M 31/02
224/155

* cited by examiner

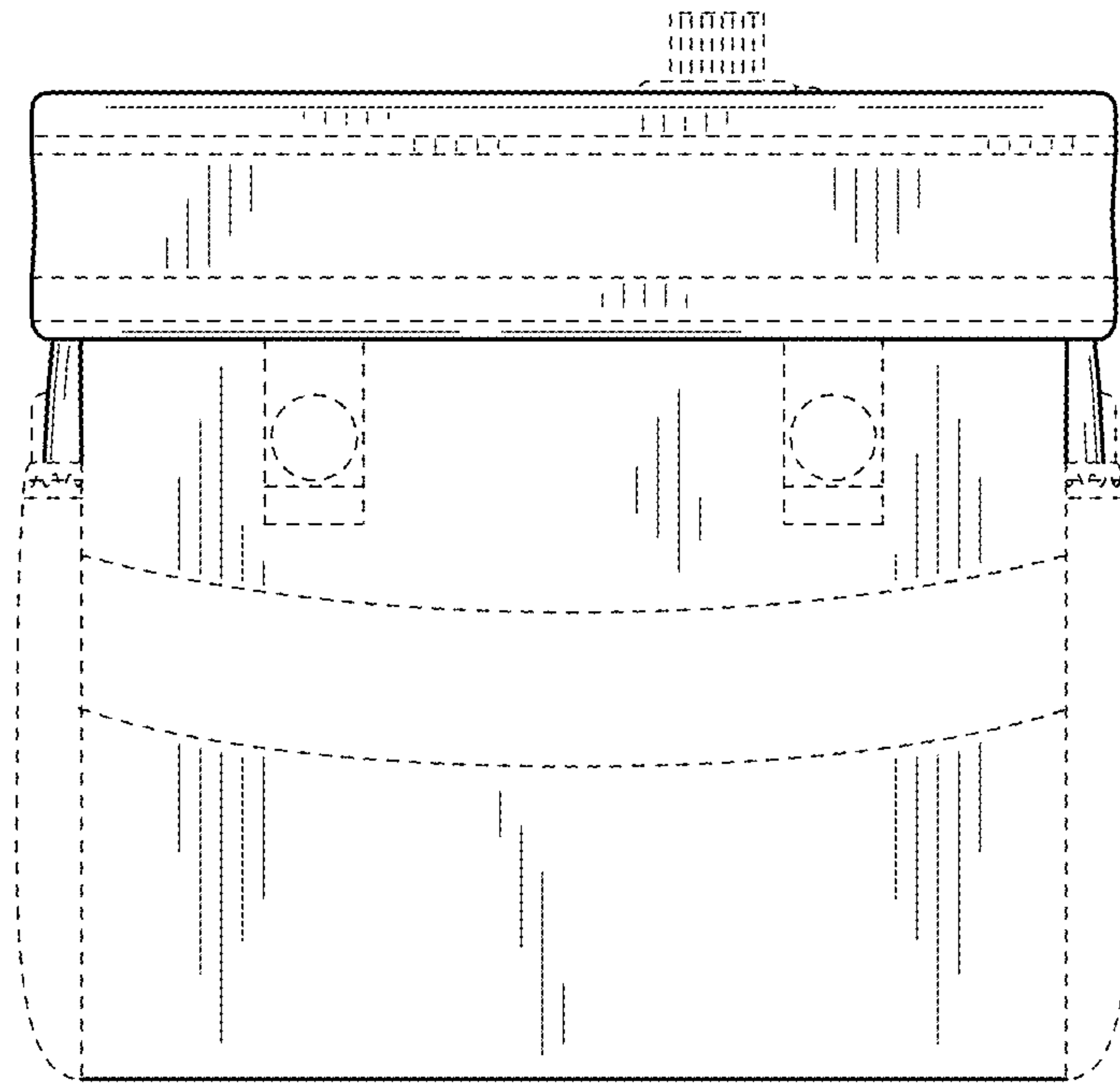


FIG. 1

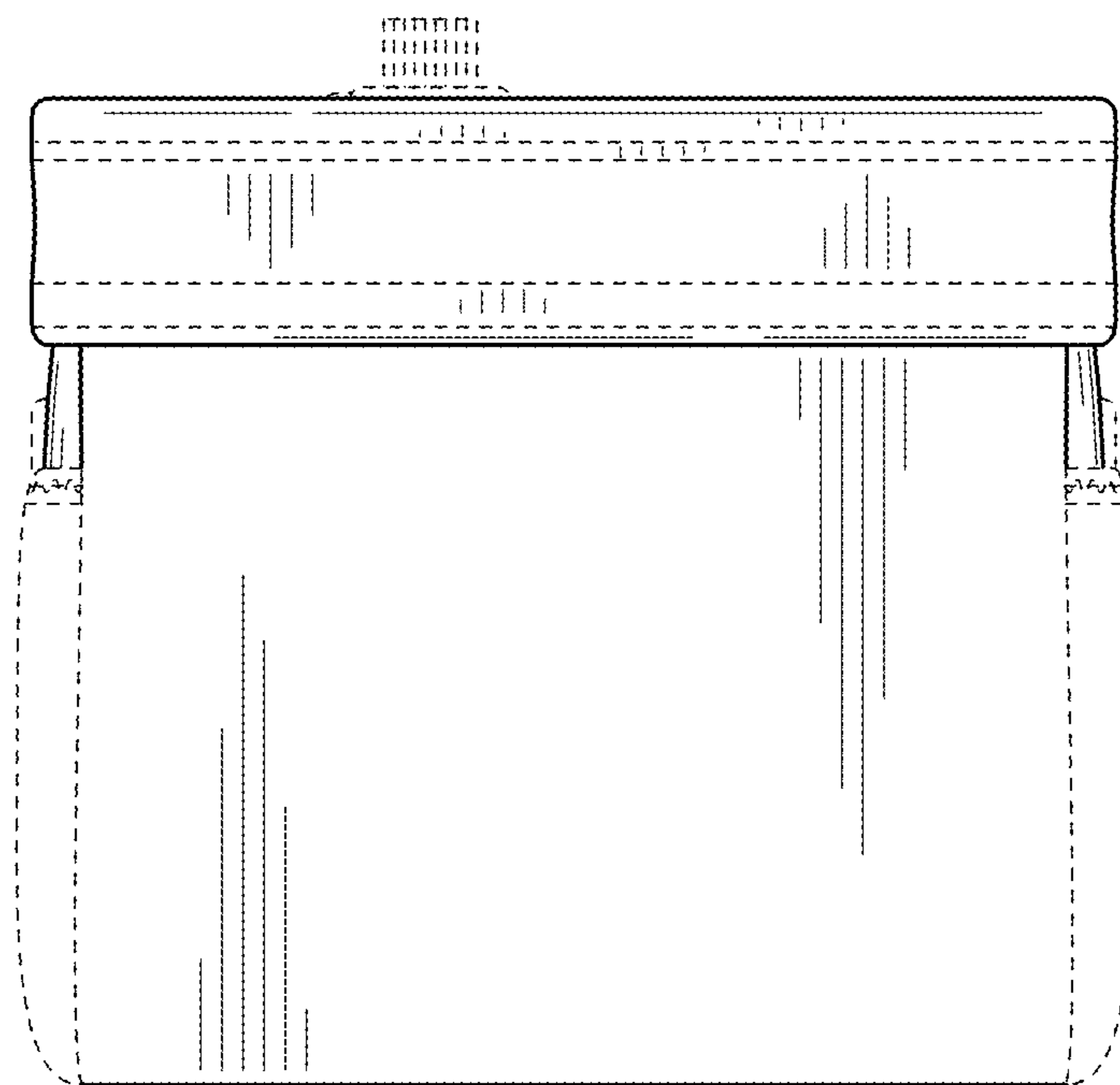


FIG. 2

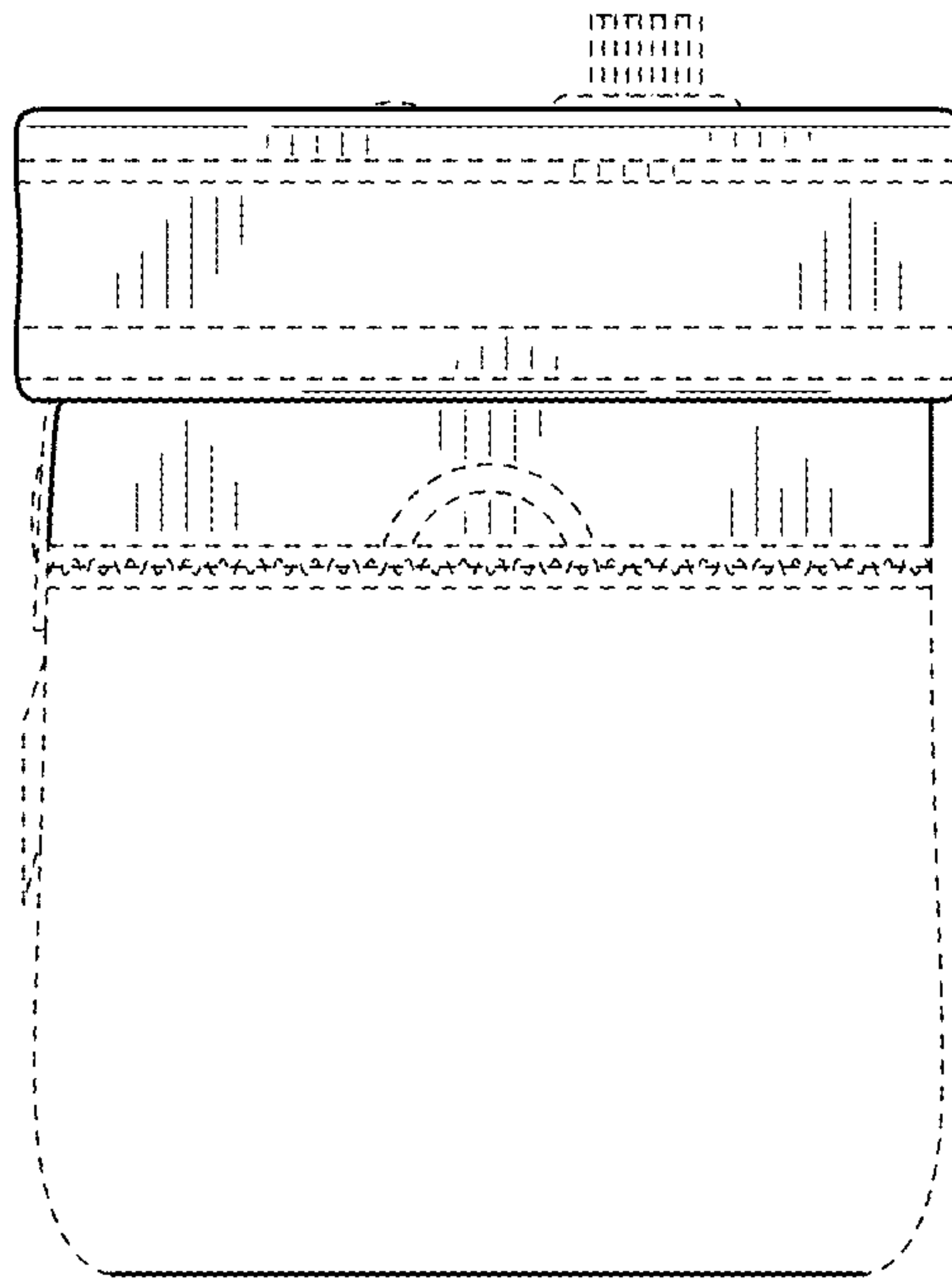


FIG. 3

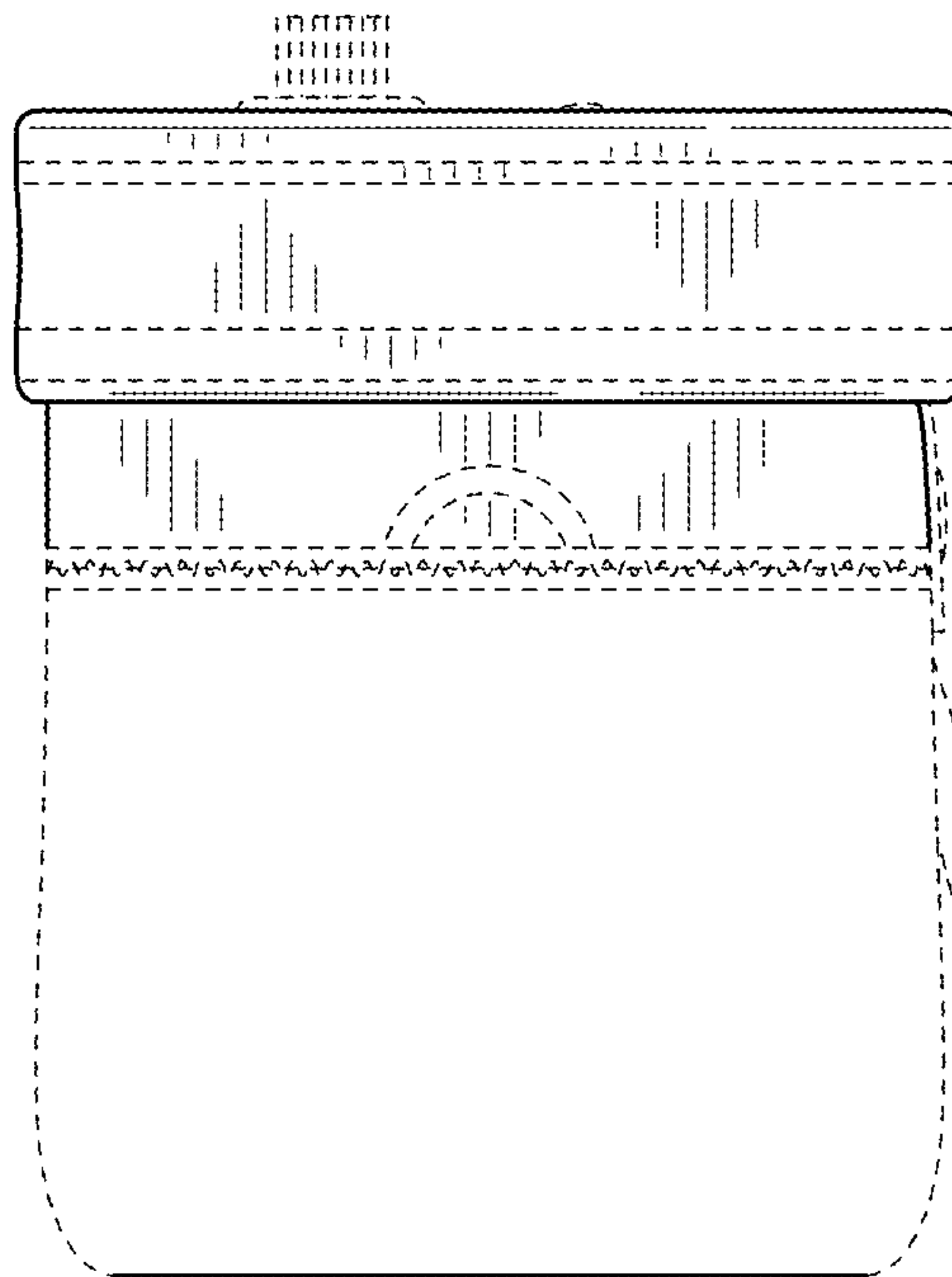


FIG. 4

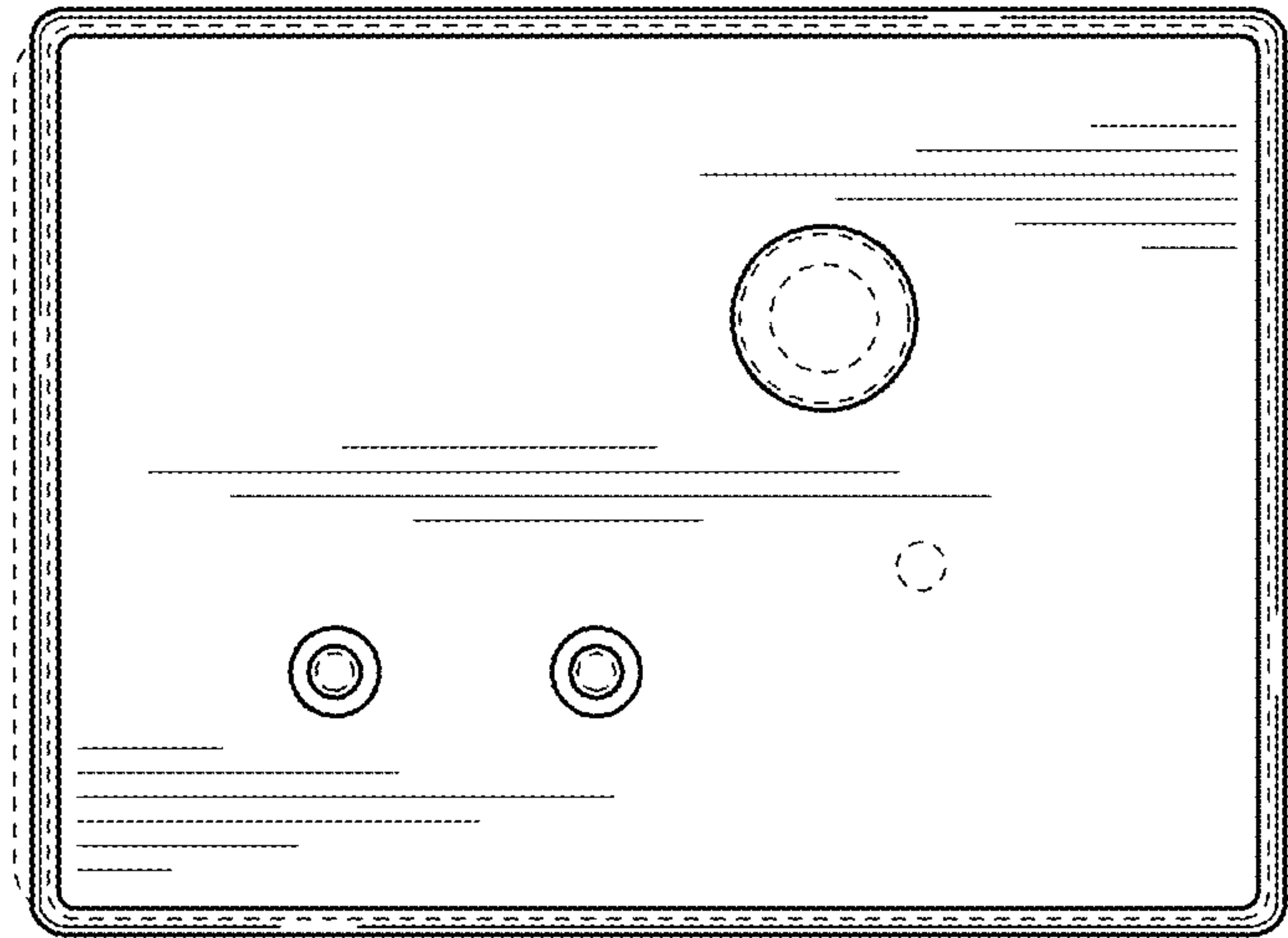


FIG. 5

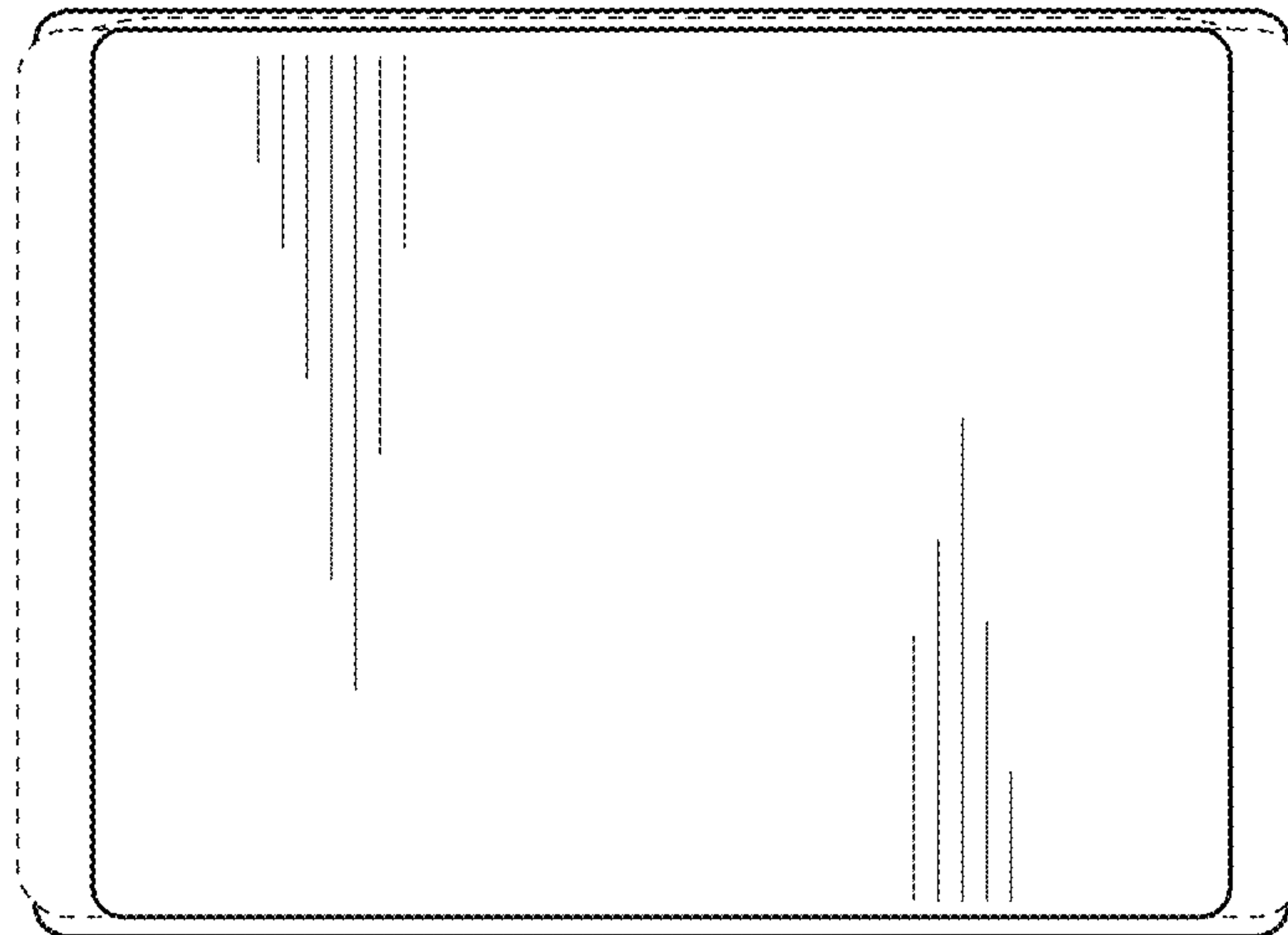


FIG. 6

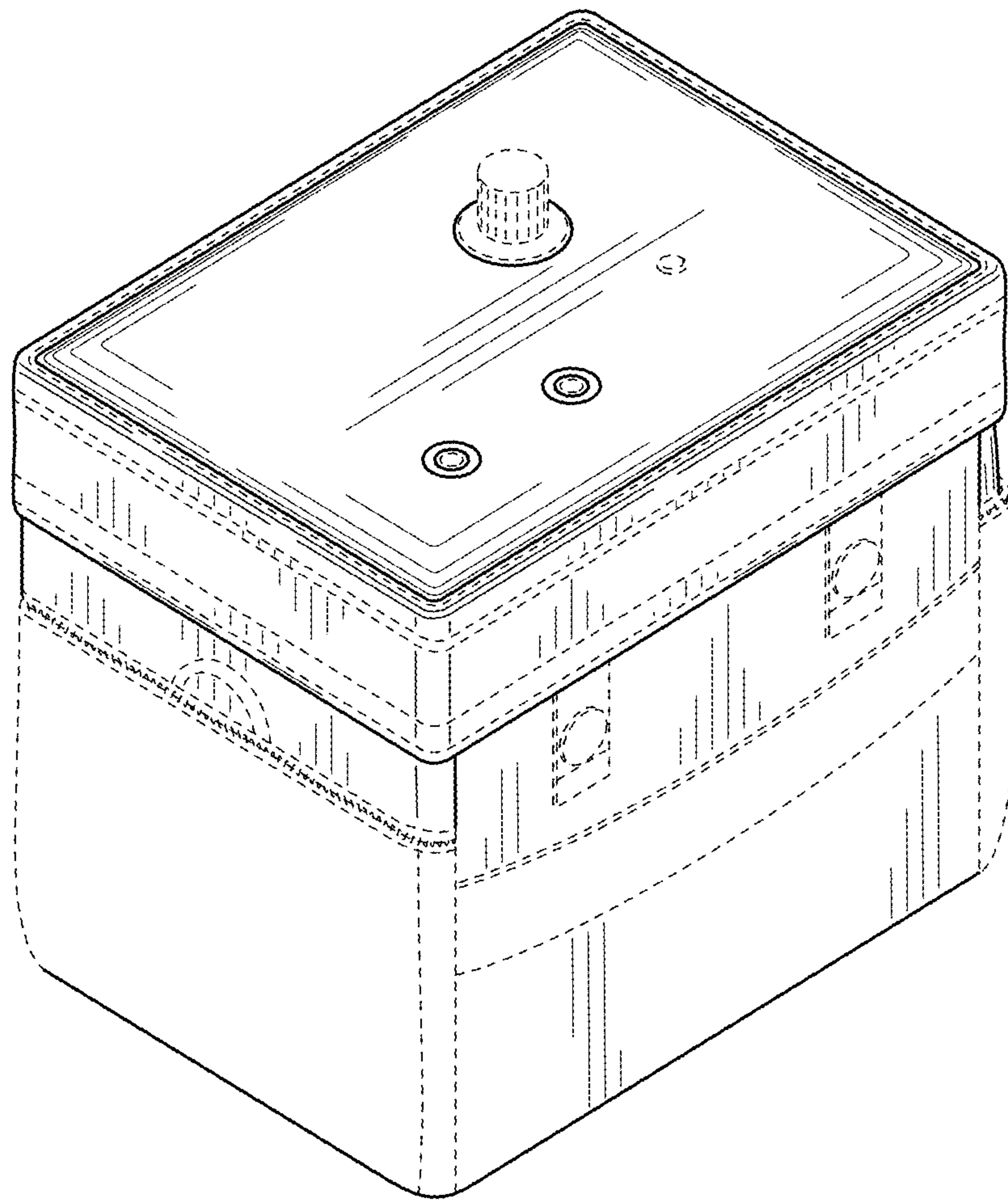


FIG. 7