



US00D826544S

(12) **United States Design Patent** (10) **Patent No.:** **US D826,544 S**  
**Yip et al.** (45) **Date of Patent:** **\*\* Aug. 28, 2018**

- (54) **BOW MAKING DEVICE BASE**
- (71) Applicant: **Berwick Offray LLC**, Berwick, PA (US)
- (72) Inventors: **Yi-Ling Yip**, Kearny, NJ (US); **Patrick Daniel Corcoran**, Pompton Lakes, NJ (US)
- (73) Assignee: **Berwick Offray LLC**, Berwick, PA (US)
- (\*\*) Term: **15 Years**
- (21) Appl. No.: **29/595,670**
- (22) Filed: **Mar. 1, 2017**
- (51) **LOC (11) Cl.** ..... **03-04**
- (52) **U.S. Cl.**  
USPC ..... **D3/18**
- (58) **Field of Classification Search**  
USPC ..... D3/18, 20, 26; D15/66  
CPC ..... D04D 11/00; D04D 7/10  
See application file for complete search history.

- 3,126,093 A 3/1964 Bradley et al.
- 3,214,070 A \* 10/1965 Twigg ..... D04D 7/10  
223/46
- 3,223,440 A 12/1965 Rosenzweig  
(Continued)

**OTHER PUBLICATIONS**

Bowdabra (from Archive.org), available at <http://web.archive.org/web/20080612035745/http://www.bowdabra.com/> (at least as early as Jun. 12, 2008 per Archive.org) (2 pages).  
(Continued)

*Primary Examiner* — John Windmuller  
*Assistant Examiner* — Steven J Czyz  
(74) *Attorney, Agent, or Firm* — McCarter & English, LLP

(57) **CLAIM**

What is claimed is an ornamental design for a bow making device base, as shown and described.

**DESCRIPTION**

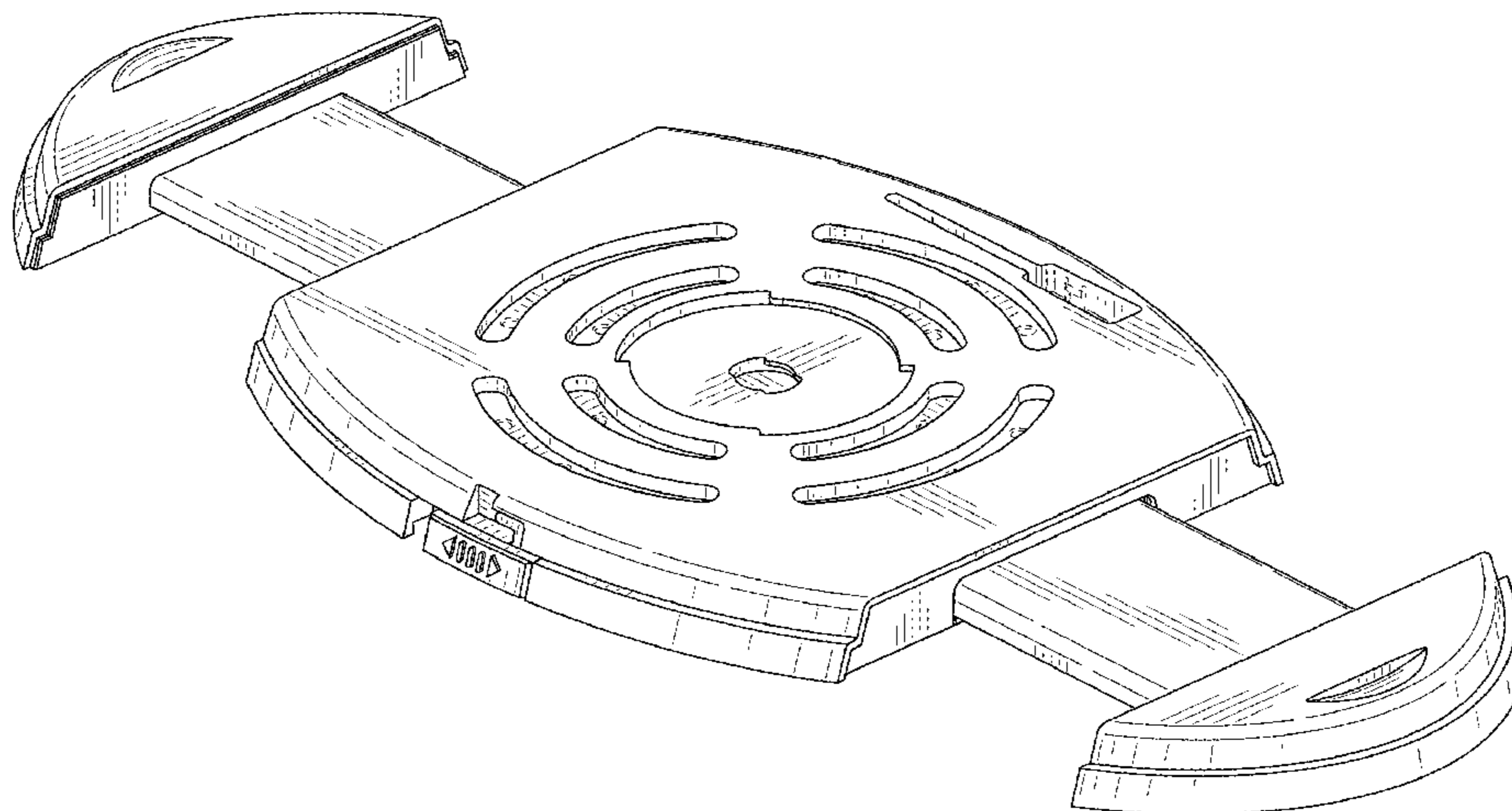
FIG. 1 is a front perspective view of a bow making device base;  
FIG. 2 is a top plan view of the bow making device base of FIG. 1;  
FIG. 3 is a bottom plan view of the bow making device base of FIG. 1;  
FIG. 4 is a front elevational view of the bow making device base of FIG. 1;  
FIG. 5 is a rear elevational view of the bow making device base of FIG. 1;  
FIG. 6 is a right side elevational view of the bow making device base of FIG. 1; and,  
FIG. 7 is a left side elevational view of the bow making device base of FIG. 1.  
The broken lines depict portions of the article that form no part of the claimed design.

**1 Claim, 4 Drawing Sheets**

(56) **References Cited**

U.S. PATENT DOCUMENTS

696,361 A	3/1902	Chase	
1,010,155 A	11/1911	Lange	
1,307,069 A	6/1919	Weismantel	
1,598,310 A	8/1926	Quinlan	
2,077,370 A	4/1937	Reynolds	
2,105,436 A	1/1938	Flatto	
2,107,194 A	2/1938	Yacker et al.	
2,521,863 A	9/1950	Mertz	
2,542,222 A	2/1951	Welch	
2,569,943 A	10/1951	Mitchell	
2,666,249 A	1/1954	Ruiz et al.	
2,763,080 A	9/1956	Welch	
2,828,896 A *	4/1958	Hanselman	D04D 7/10 223/46
2,905,368 A	9/1959	Runyan	
3,061,153 A *	10/1962	Rector	D04D 7/10 223/46



(56)

References Cited

U.S. PATENT DOCUMENTS

3,236,426 A 2/1966 Kerrigan et al.  
 3,286,888 A \* 11/1966 Cuttler ..... D04D 7/10  
 223/46  
 3,289,900 A 12/1966 Mashburn, Jr. et al.  
 3,377,674 A 4/1968 Brassaw et al.  
 3,428,227 A 2/1969 Cavoli  
 3,462,049 A 8/1969 Smith  
 3,501,070 A \* 3/1970 Shattuck ..... D04D 7/10  
 223/46  
 3,816,888 A 6/1974 Rather, Jr.  
 3,850,293 A 11/1974 Scaringi  
 3,854,179 A 12/1974 Montoya  
 4,186,833 A 2/1980 Homan  
 4,337,578 A 7/1982 Seals  
 D266,630 S \* 10/1982 O'Brien ..... D3/26  
 4,410,113 A \* 10/1983 Palombo ..... D04D 7/10  
 223/46  
 4,454,968 A 6/1984 StLawrence  
 4,629,100 A \* 12/1986 Owens ..... D04D 7/10  
 223/46  
 4,714,182 A 12/1987 Hecht  
 5,100,706 A 3/1992 Zaweski  
 5,111,637 A 5/1992 Weder et al.  
 5,111,638 A 5/1992 Weder  
 5,181,364 A 1/1993 Weder  
 5,211,302 A 5/1993 Tiramani  
 5,215,791 A 6/1993 Davignon  
 5,239,804 A 8/1993 Weder et al.  
 5,245,814 A 9/1993 Weder  
 5,261,578 A \* 11/1993 Monahan ..... D04D 11/00  
 223/46  
 5,297,705 A \* 3/1994 Schmidt ..... A41H 43/00  
 223/44  
 D348,984 S 7/1994 Gilbert et al.  
 5,356,056 A \* 10/1994 Teuten ..... D04D 7/10  
 223/44  
 5,369,934 A 12/1994 Weder  
 5,388,386 A 2/1995 Weder  
 5,407,108 A \* 4/1995 Hambright ..... D04D 7/10  
 223/44  
 5,408,802 A 4/1995 Weder et al.  
 5,411,188 A \* 5/1995 Teuten ..... D04D 7/10  
 223/44  
 5,448,875 A 9/1995 Weder  
 5,456,056 A 10/1995 Weder  
 D364,732 S \* 12/1995 Hyche ..... D3/26  
 D364,733 S \* 12/1995 Cavender ..... D3/26  
 5,509,586 A \* 4/1996 Leiser ..... D04D 7/10  
 223/46  
 5,537,800 A 7/1996 Weder  
 5,560,181 A 10/1996 Weder  
 5,595,046 A 1/1997 Weder  
 5,596,862 A 1/1997 Weder  
 5,617,979 A \* 4/1997 Cavender ..... D04D 7/10  
 223/44  
 D381,200 S 7/1997 Benson  
 5,662,250 A \* 9/1997 Werling ..... D04D 7/10  
 223/44  
 D389,998 S \* 2/1998 Cavender ..... D3/26  
 D393,147 S \* 4/1998 Renshaw ..... D3/26  
 D396,950 S \* 8/1998 Werling ..... D3/26  
 5,810,214 A \* 9/1998 Hecht ..... D04D 7/10  
 223/46  
 5,913,450 A 6/1999 Runkel

5,975,383 A \* 11/1999 Cavender ..... D04D 7/10  
 223/44  
 6,000,586 A \* 12/1999 Cavender ..... D04D 7/10  
 223/44  
 6,131,778 A \* 10/2000 Etzion ..... D04D 7/10  
 223/46  
 D456,614 S 5/2002 Zemel  
 D483,667 S \* 12/2003 Crowley ..... D9/433  
 D513,365 S 1/2006 Singh et al.  
 D580,649 S \* 11/2008 Ota ..... D3/26  
 D581,661 S 12/2008 Gonzalez  
 D594,645 S \* 6/2009 Oe ..... D3/26  
 D594,646 S \* 6/2009 Oe ..... D3/26  
 D594,647 S \* 6/2009 Oe ..... D3/26  
 D610,458 S 2/2010 Martin  
 D614,858 S \* 5/2010 Ranzau ..... D3/26  
 D615,291 S \* 5/2010 Ranzau ..... D3/26  
 D615,746 S \* 5/2010 Ranzau ..... D3/26  
 D632,432 S \* 2/2011 Holloway ..... D28/40  
 7,946,456 B1 \* 5/2011 Holloway ..... A45D 8/26  
 223/46  
 8,403,145 B1 \* 3/2013 Yip ..... D04D 11/00  
 206/391  
 D682,537 S \* 5/2013 Maligno ..... D3/26  
 D741,591 S \* 10/2015 Shainwald ..... D3/26  
 D741,592 S \* 10/2015 Shainwald ..... D3/26  
 2008/0073386 A1 \* 3/2008 Lavorato ..... D04D 11/00  
 223/46  
 2009/0294490 A1 \* 12/2009 Gustin ..... D04D 7/10  
 223/46  
 2010/0025438 A1 \* 2/2010 Ranzau ..... A41D 25/08  
 223/46  
 2012/0012621 A1 \* 1/2012 Sellers ..... D04D 7/10  
 223/46  
 2013/0015214 A1 \* 1/2013 Ranzau ..... A41D 25/08  
 223/46

OTHER PUBLICATIONS

Fiskars Bow Maker, available at <http://www.fiskarscrafts.com/tools/t.sub.—bow-maker.aspx> and available at <http://crafts-sewing.hsn.com/fiskars-bow-maker-ultimate-bow-and-floral--stapler.sub---p-3331722.sub.—xp.aspx> (Prior to Jul. 27, 2009) (4pages).  
 Itsy Bitsy Bow Maker (from Archive.org), available at <http://web.archive.org/web/20071026124534/http://www.packrat-pro.htm/bows-/bows.htm> and <http://web.archive.org/web/20071026165758/http://www.packrat-pro.com/bows-/bowhow1.htm> (Oct. 26, 2007 per Archive.org) (6 pages).  
 Jiffy Bow Maker, available at [www.jiffybowmaker.com](http://www.jiffybowmaker.com) (prior to Jul. 27, 2009) (additional info at Archive.org) (3 pages).  
 TheCardLadies Adjustable Bow Maker (from Archive.org), available at <http://web.archive.org/web/20080420121139/http://www.thecardladies.com/Bo-wMaker.htm> (at least as early as Apr. 20, 2008 per Archive.org) (3 pages).  
 U.S. Appl. No. 09/109,563, title: Folded Corrugated Material and Method for Producing Same, filed Jul. 2, 1998 (abandoned).  
 U.S. Appl. No. 08/133,618, title: Bow Making Apparatus, filed Oct. 7, 1993 (abandoned) (21 pages).  
 Office Action dated Apr. 3, 2018, issued in connection with U.S. Appl. No. 29/595,650 (15 pages).  
 U.S. Appl. No. 15/446,294, entitled “Bow Making Device With Interchangeable Components,” filed Mar. 1, 2017 (57 pages).  
 U.S. Appl. No. 29/595,650, entitled “Bow Making Device,” filed Mar. 1, 2017 (5 pages).

\* cited by examiner

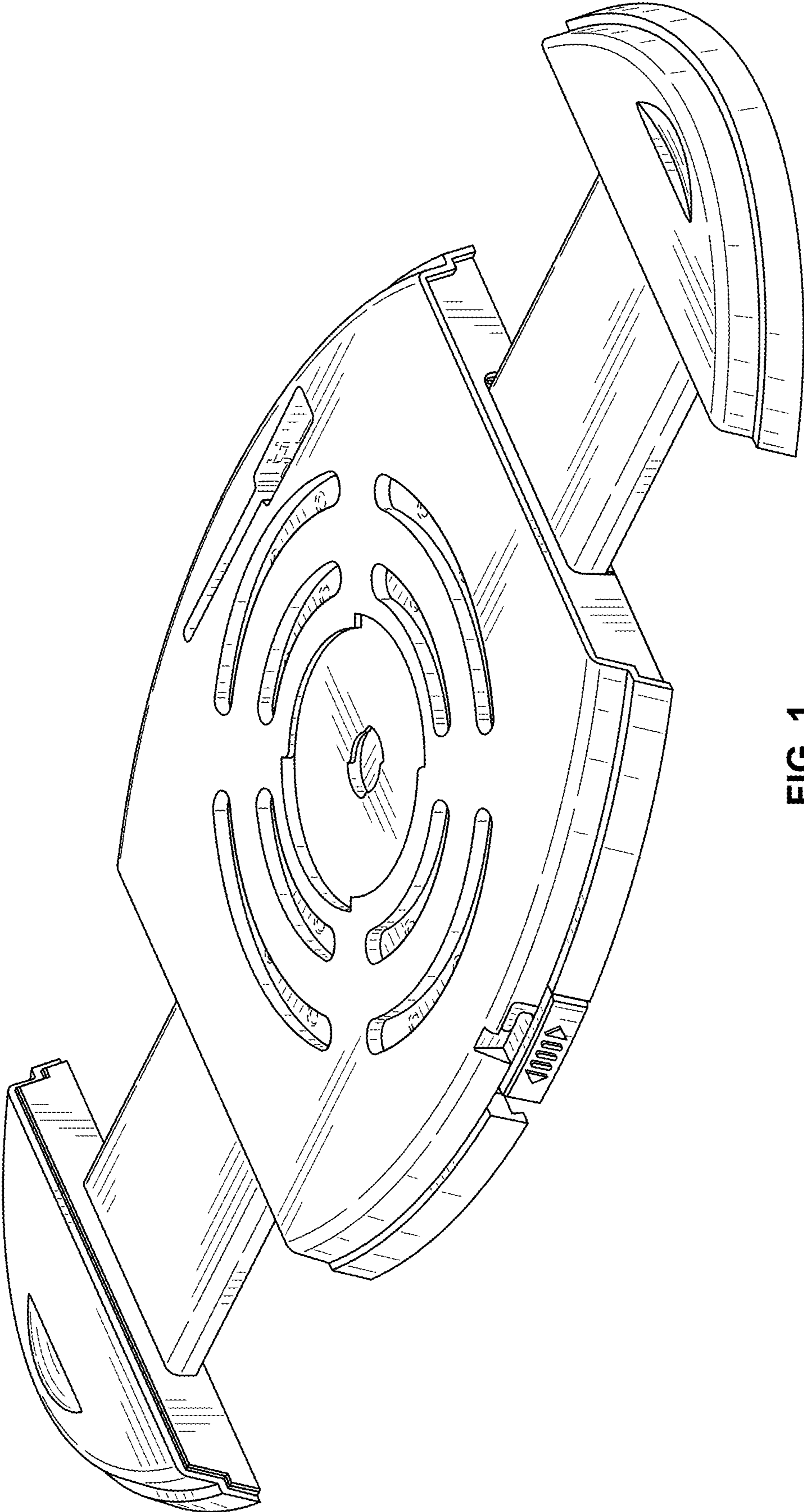


FIG. 1

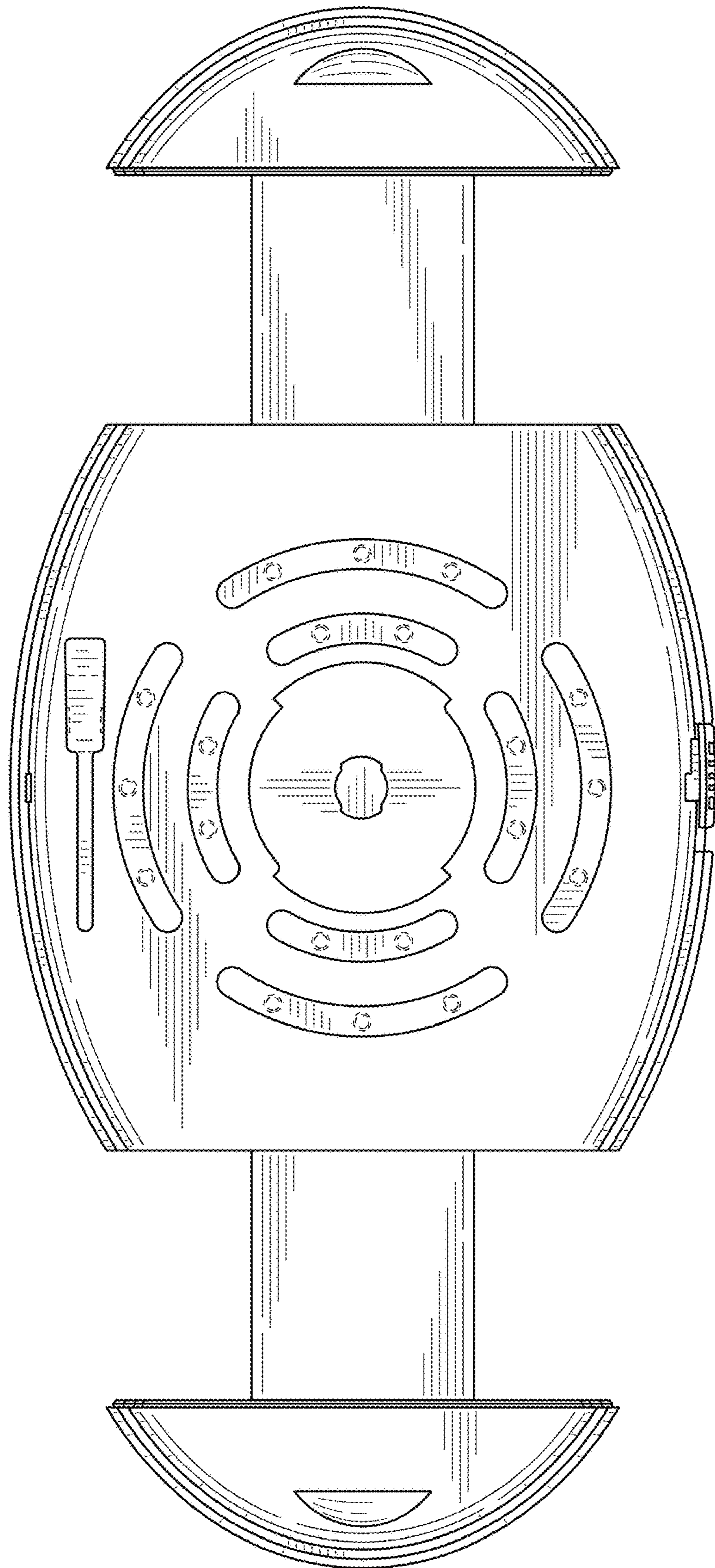


FIG. 2

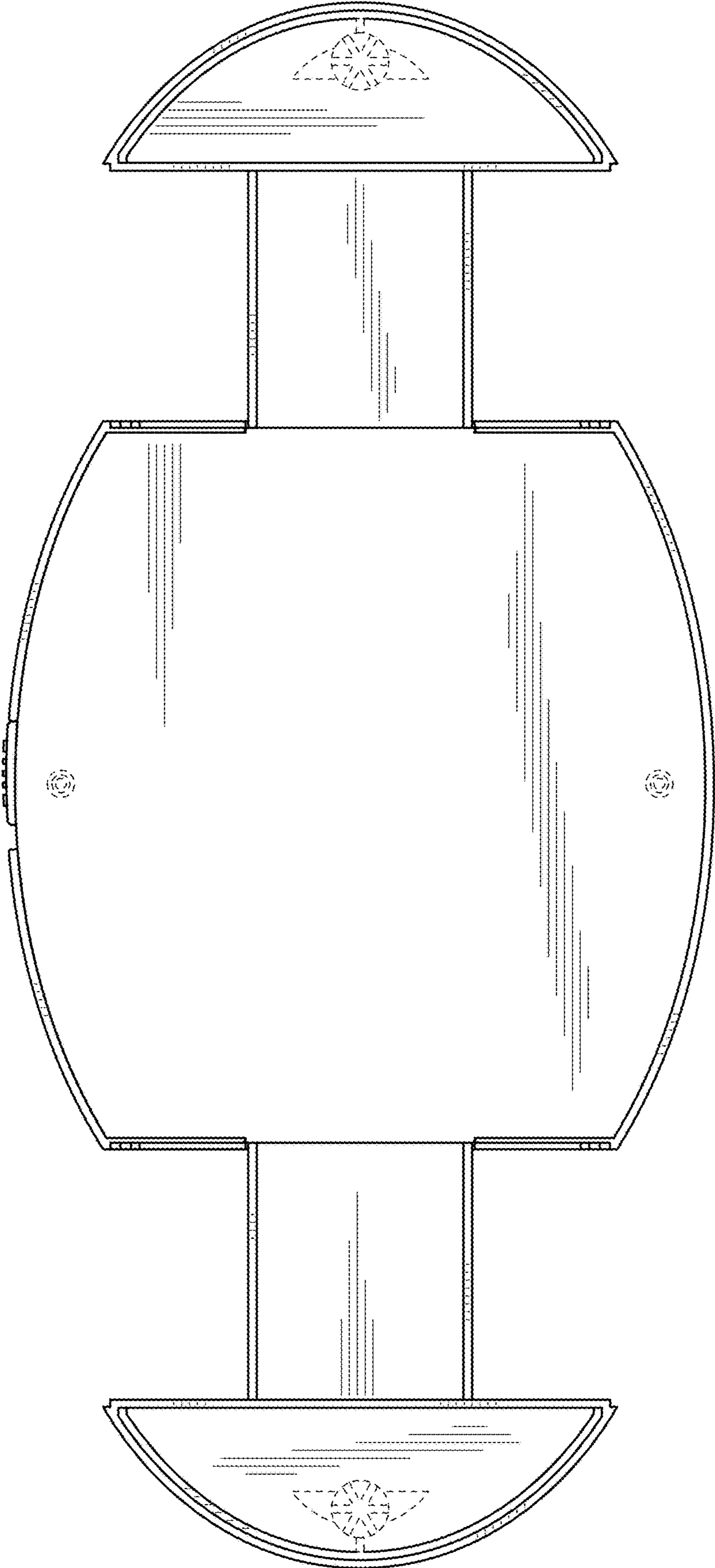


FIG. 3

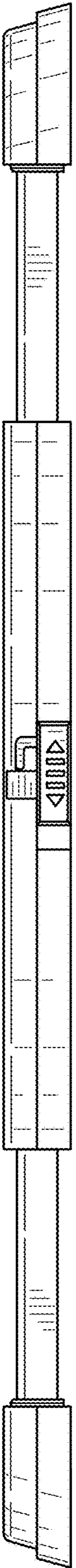


FIG. 4

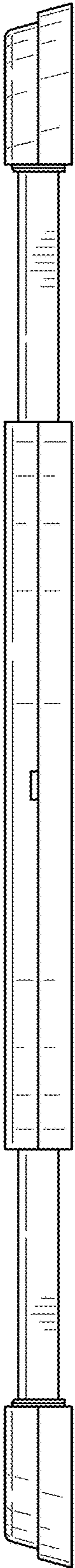


FIG. 5

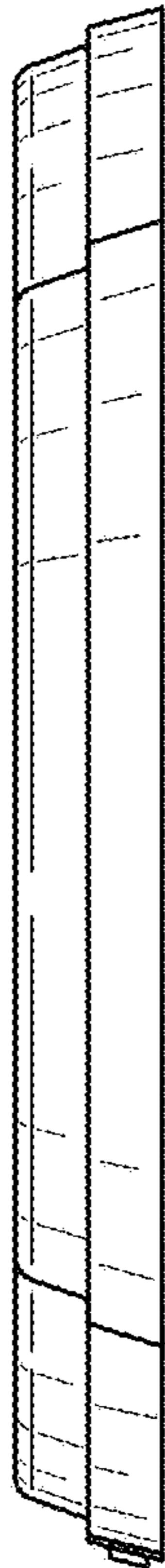


FIG. 6



FIG. 7