

US00D826541S

(12) **United States Design Patent**
Morrison

(10) **Patent No.:** **US D826,541 S**

(45) **Date of Patent:** **** Aug. 28, 2018**

(54) **GOLF TEE SHOE**

(71) Applicant: **River Light V, L.P.**, New York, NY
(US)

(72) Inventor: **Miranda Frances Louise Morrison**,
Brooklyn, NY (US)

(73) Assignee: **RIVER LIGHT V, L.P.**, New York,
NY (US)

(**) Term: **15 Years**

(21) Appl. No.: **29/598,859**

(22) Filed: **Mar. 29, 2017**

(51) **LOC (11) Cl.** **02-04**

(52) **U.S. Cl.**
USPC **D2/976; D2/946**

(58) **Field of Classification Search**
USPC D2/896, 902, 905, 906, 907, 908, 943,
D2/946, 969, 972, 976

CPC A43B 5/00; A43B 5/001; A43B 23/00;
A43B 23/02; A43B 23/0205; A43B
23/021; A43B 23/0215; A43B 23/0245;
A43B 23/025; A43B 23/20; A43B 23/24

See application file for complete search history.

(56) **References Cited**

U.S. PATENT DOCUMENTS

D300,180 S *	3/1989	Bessec	D2/924
D323,922 S *	2/1992	Emmert	D2/924
D482,514 S *	11/2003	Whittington	D2/909
D507,861 S *	8/2005	Kim	D2/905
D514,285 S *	2/2006	Jarmon Mouchi	D2/946
D604,037 S *	11/2009	Feller	D2/946
D612,588 S *	3/2010	Feller	D2/946
D641,962 S *	7/2011	Daniels	D2/909
8,112,910 B2 *	2/2012	Herber	A43B 5/185 36/129

D665,984 S *	8/2012	El	D2/976
D665,986 S *	8/2012	El	D2/976
D665,988 S *	8/2012	El	D2/976
D669,665 S *	10/2012	Van Zyll De Jong	D2/945
D670,074 S *	11/2012	Willows	D2/946
D682,373 S *	5/2013	Garnuette	D21/683
D711,080 S *	8/2014	Hollister	D2/946
D761,547 S *	7/2016	Breit	D2/976
D784,663 S *	4/2017	Freedman	D2/908
D793,712 S *	8/2017	McNeal	D2/976
2011/0072687 A1 *	3/2011	Bobbett	A43B 5/001 36/127

* cited by examiner

Primary Examiner — Elizabeth J Oswecki

(74) *Attorney, Agent, or Firm* — Kilpatrick Townsend &
Stockton LLP

(57) **CLAIM**

The ornamental design for a golf tee shoe, as shown and described.

DESCRIPTION

FIG. 1 is a perspective view of a golf tee shoe showing my new design;

FIG. 2 is another perspective view of the golf tee shoe of FIG. 1.

FIG. 3 is another perspective view of the golf tee shoe of FIG. 1.

FIG. 4 is a front view of the golf tee shoe of FIG. 1.

FIG. 5 is a rear view of the golf tee shoe of FIG. 1.

FIG. 6 is a left side view of the golf tee shoe of FIG. 1.

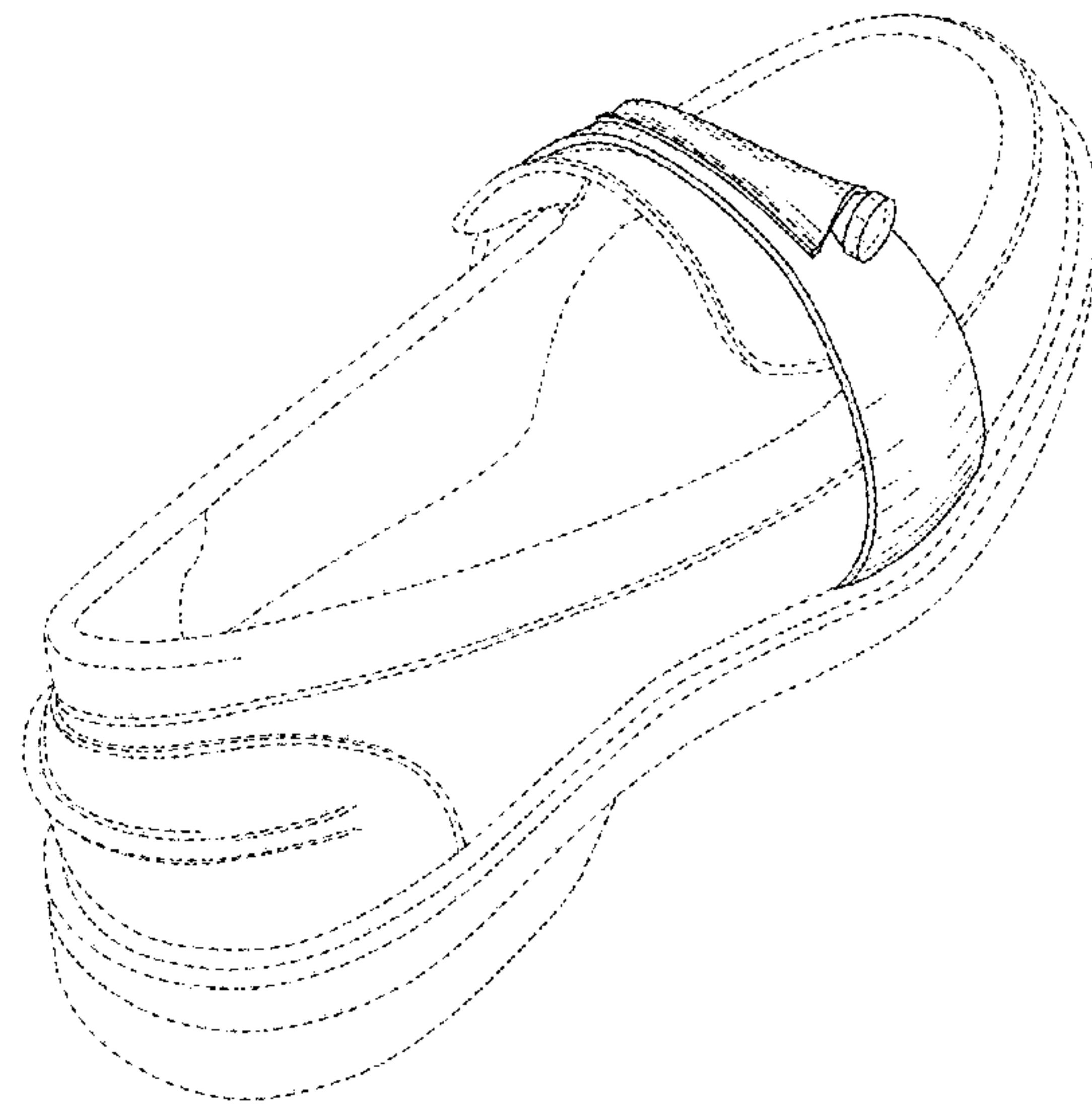
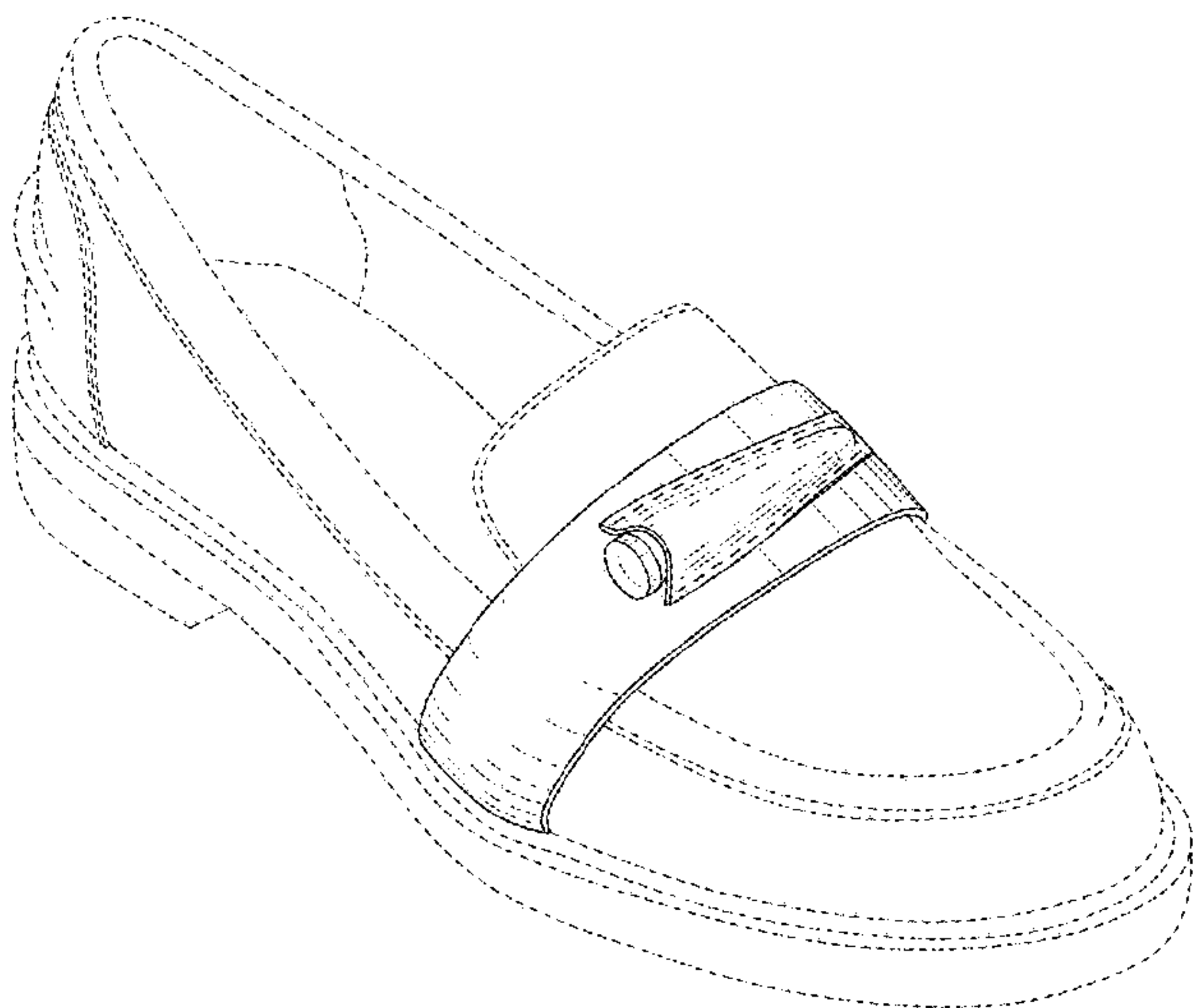
FIG. 7 is a right side view of the golf tee shoe of FIG. 1.

FIG. 8 is a top view of the golf tee shoe of FIG. 1; and,

FIG. 9 is a bottom view of the golf tee shoe of FIG. 1.

The broken lines on the exterior pouch holding the tee represent thread stitching and form no part of the claimed design. The remaining broken lines on the golf tee shoe form no part of the claimed design.

1 Claim, 6 Drawing Sheets



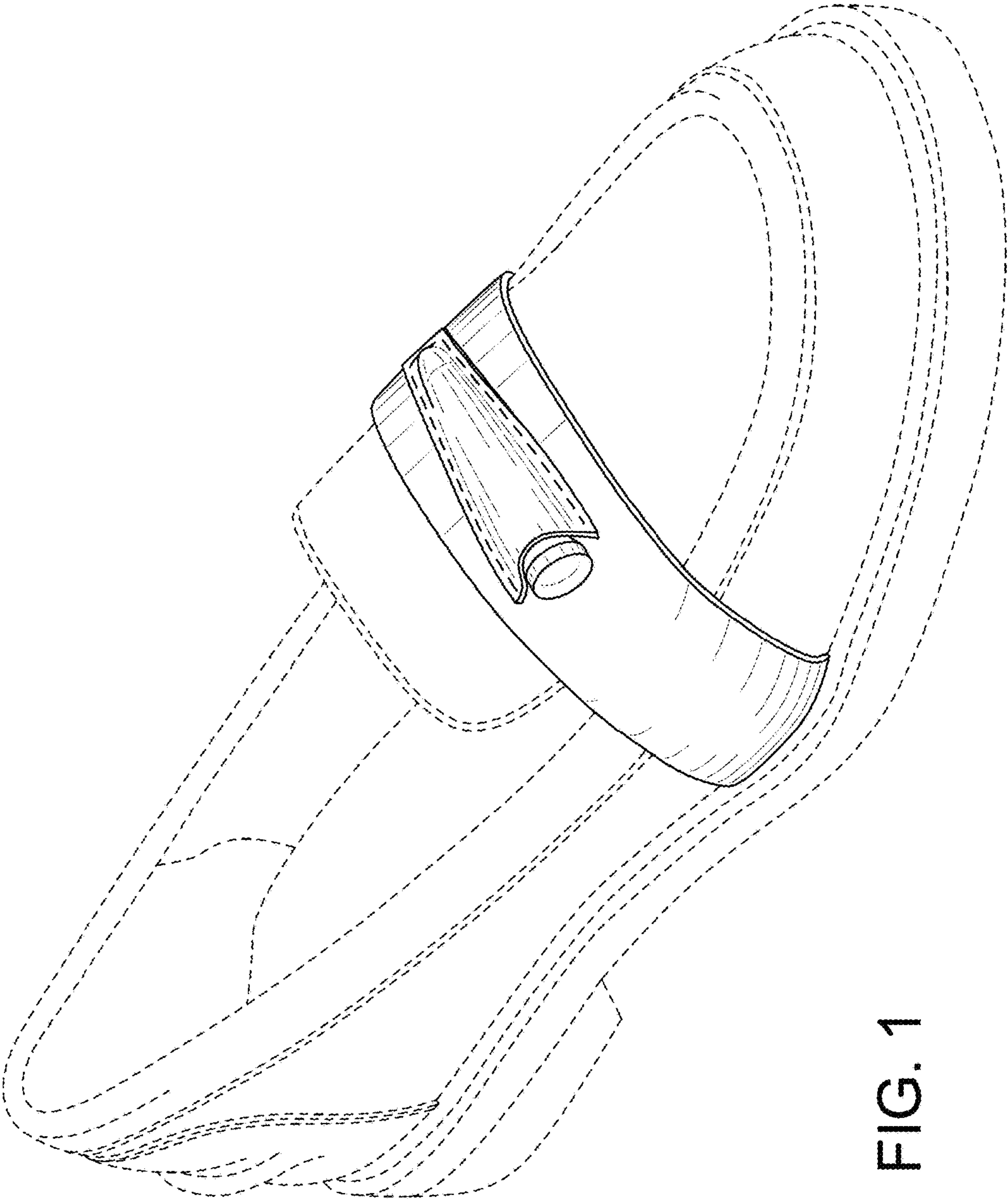


FIG. 1

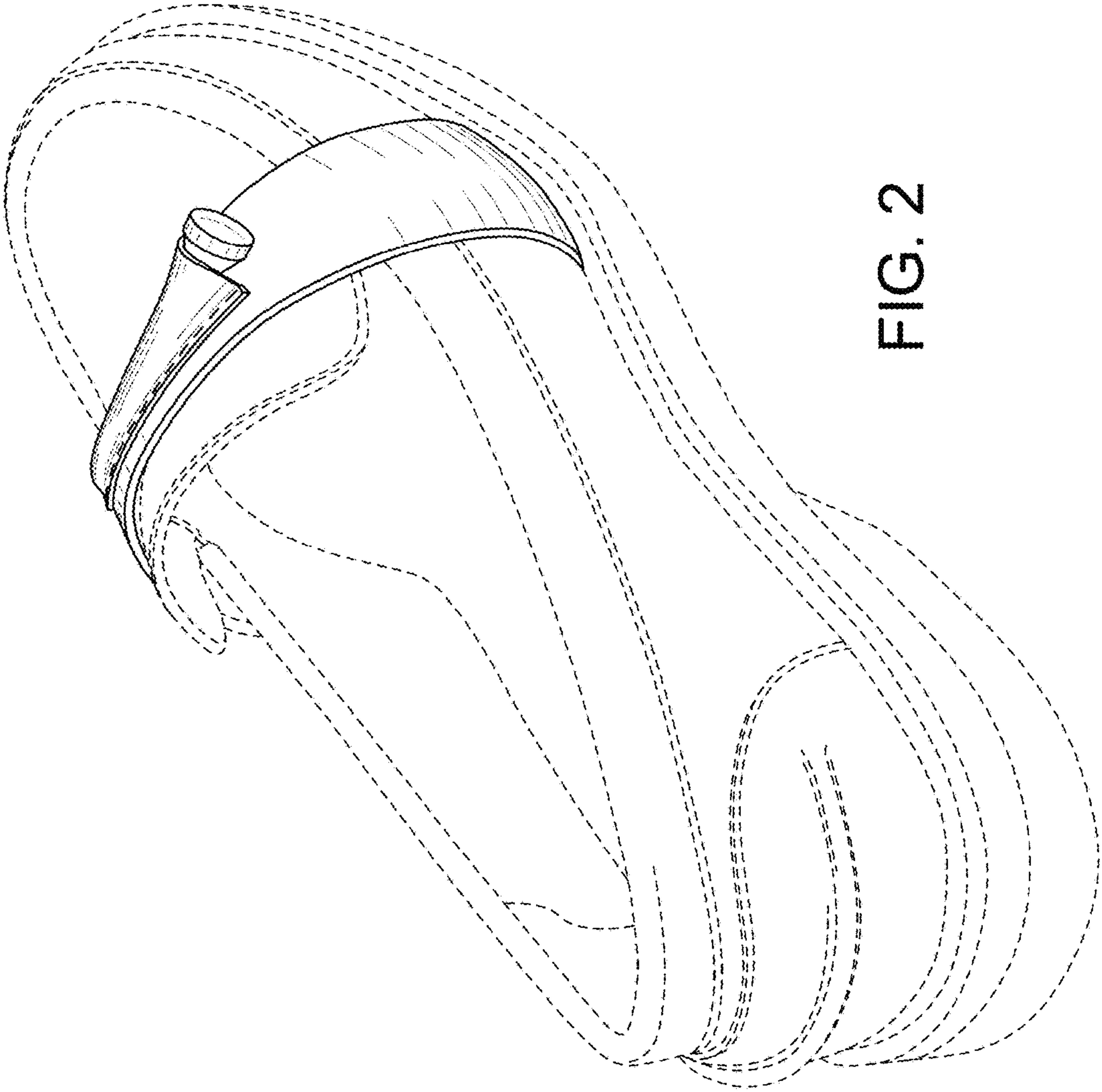


FIG. 2

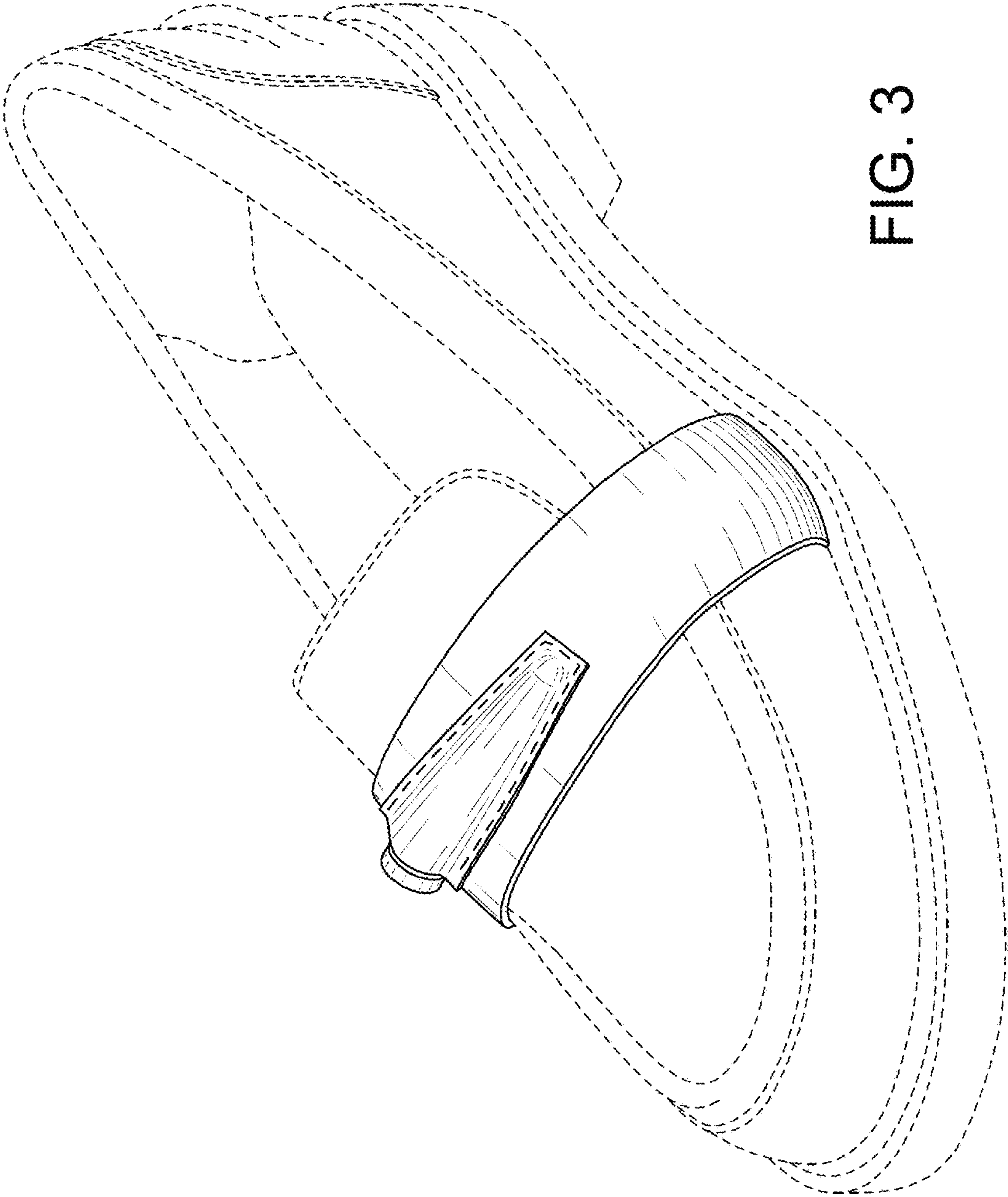


FIG. 3

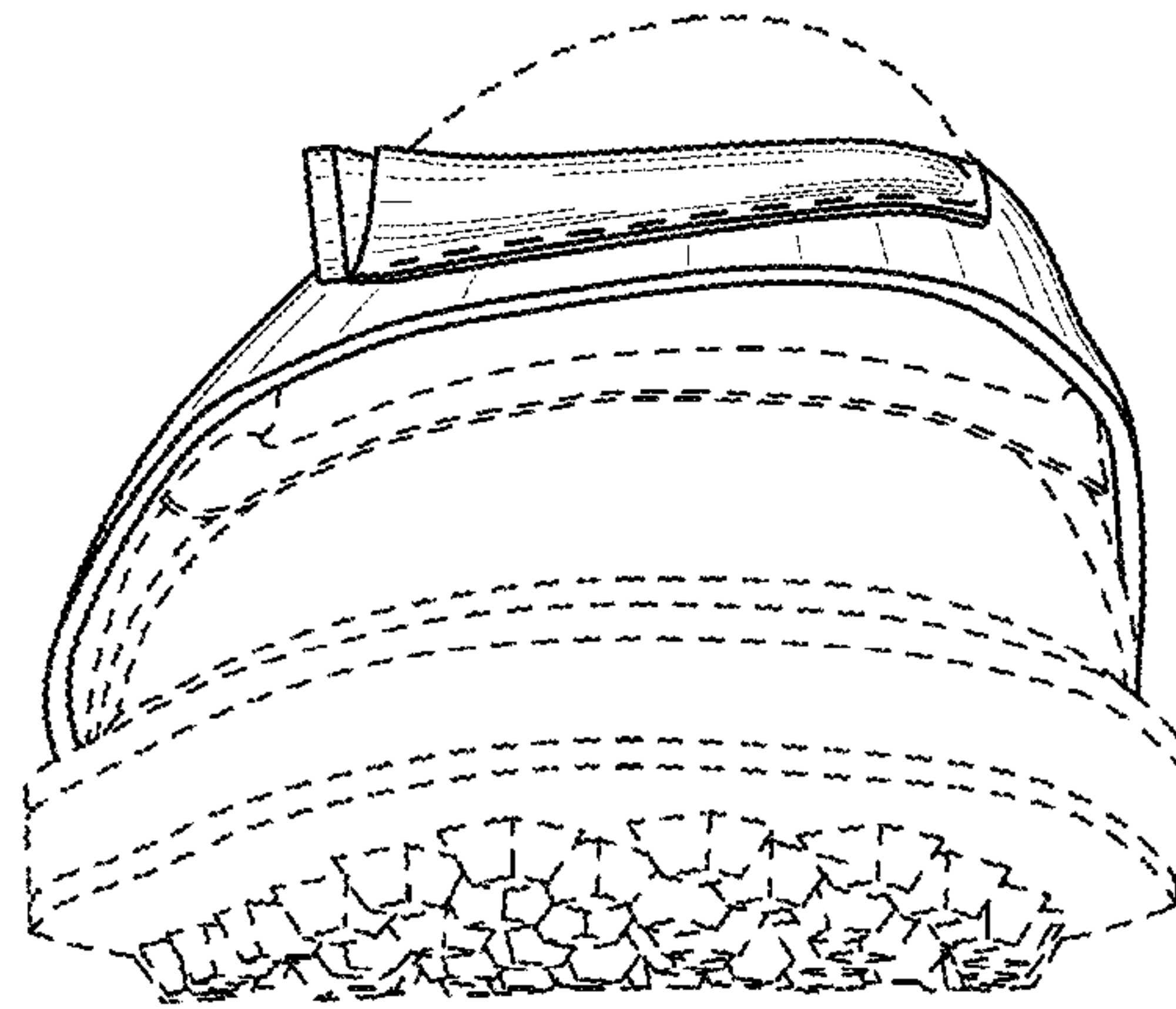


FIG. 4

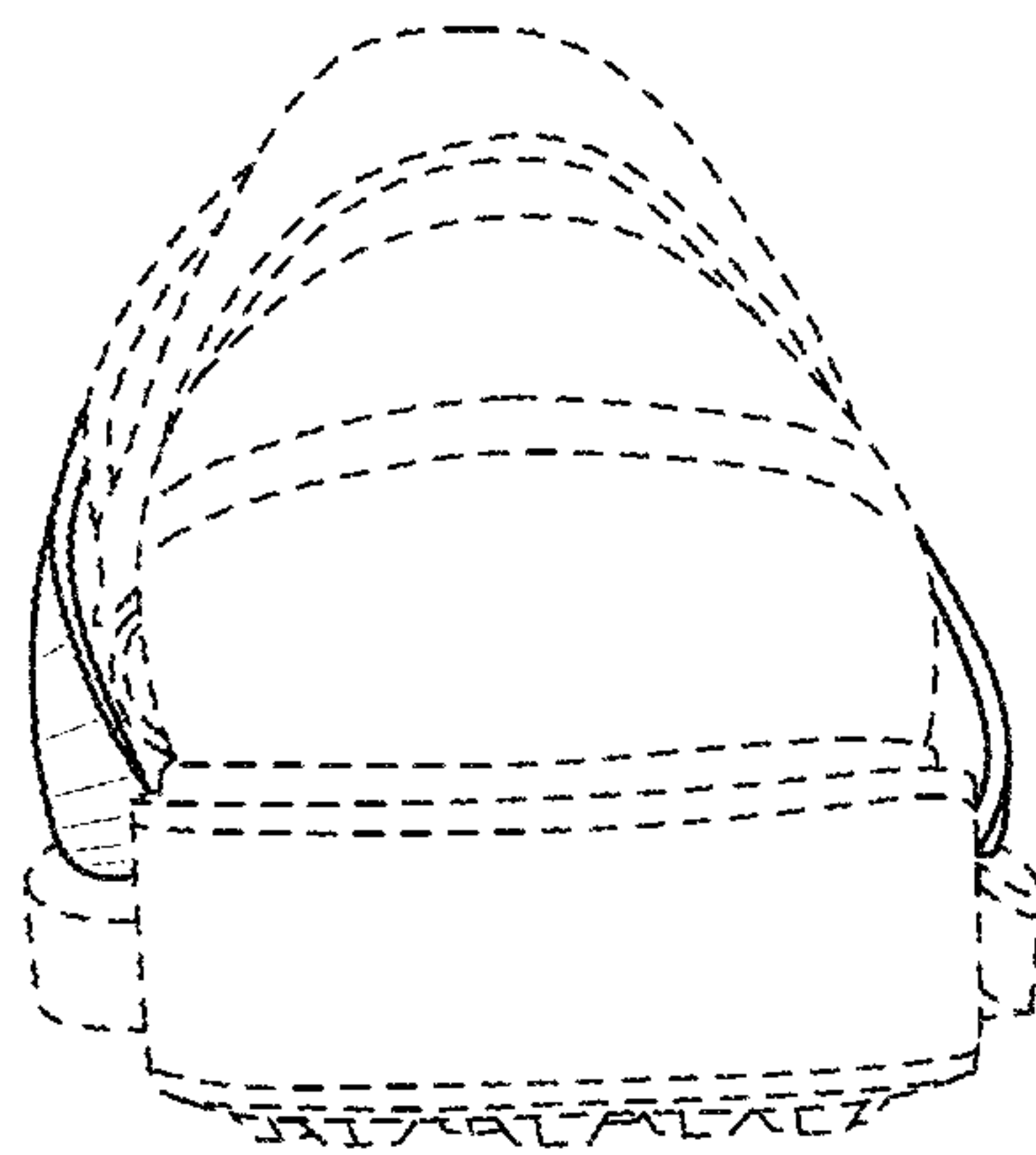


FIG. 5

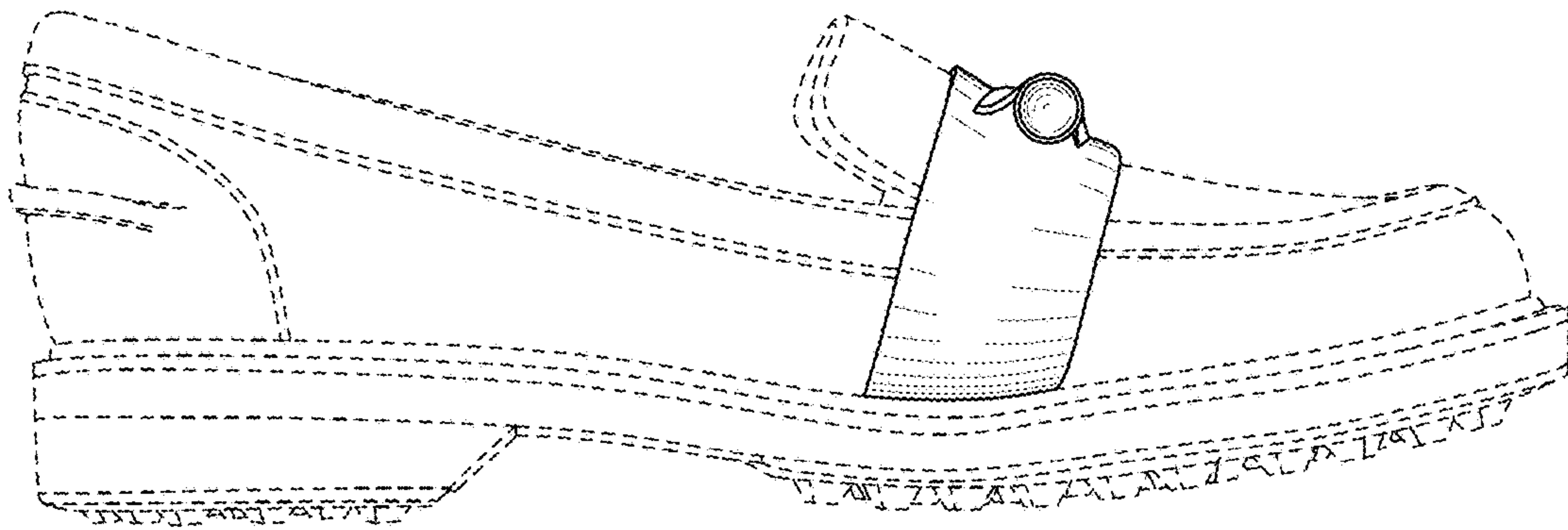


FIG. 6

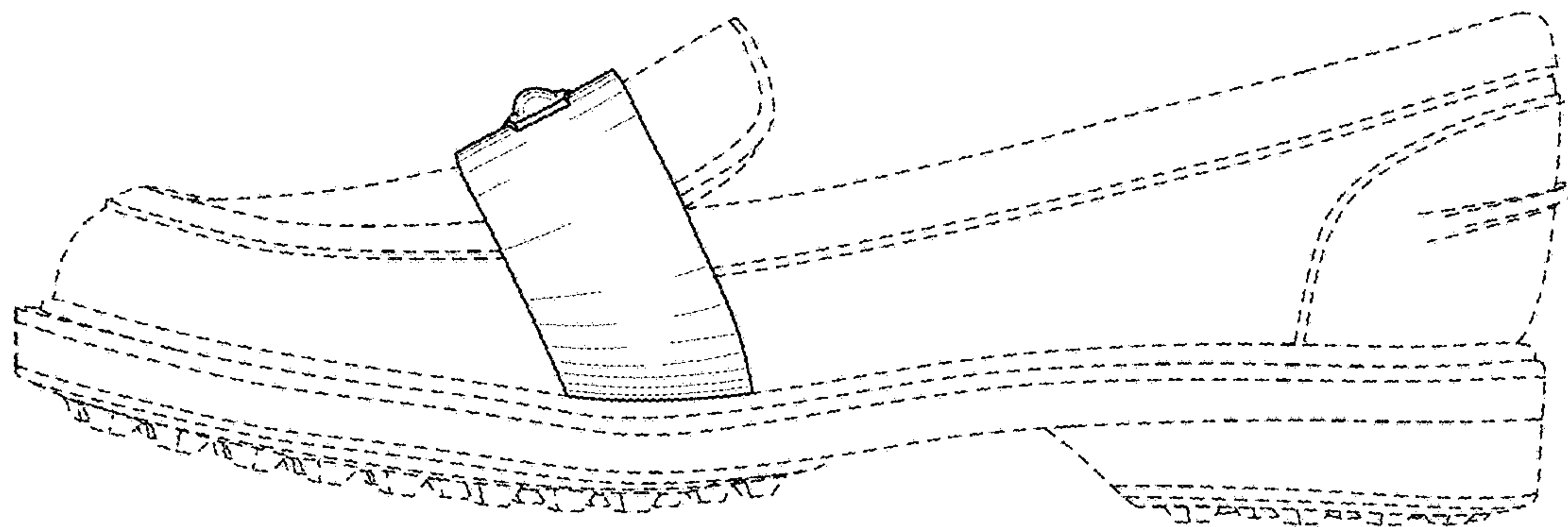


FIG. 7

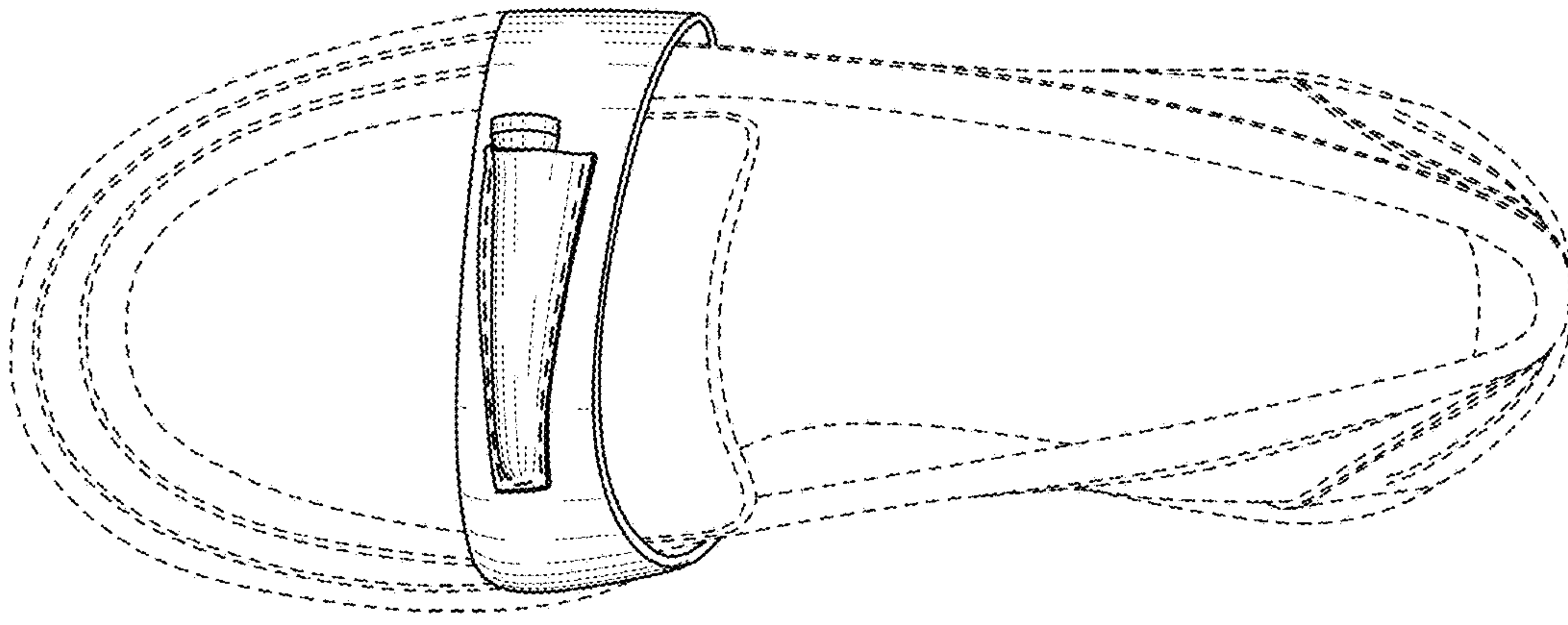


FIG. 8

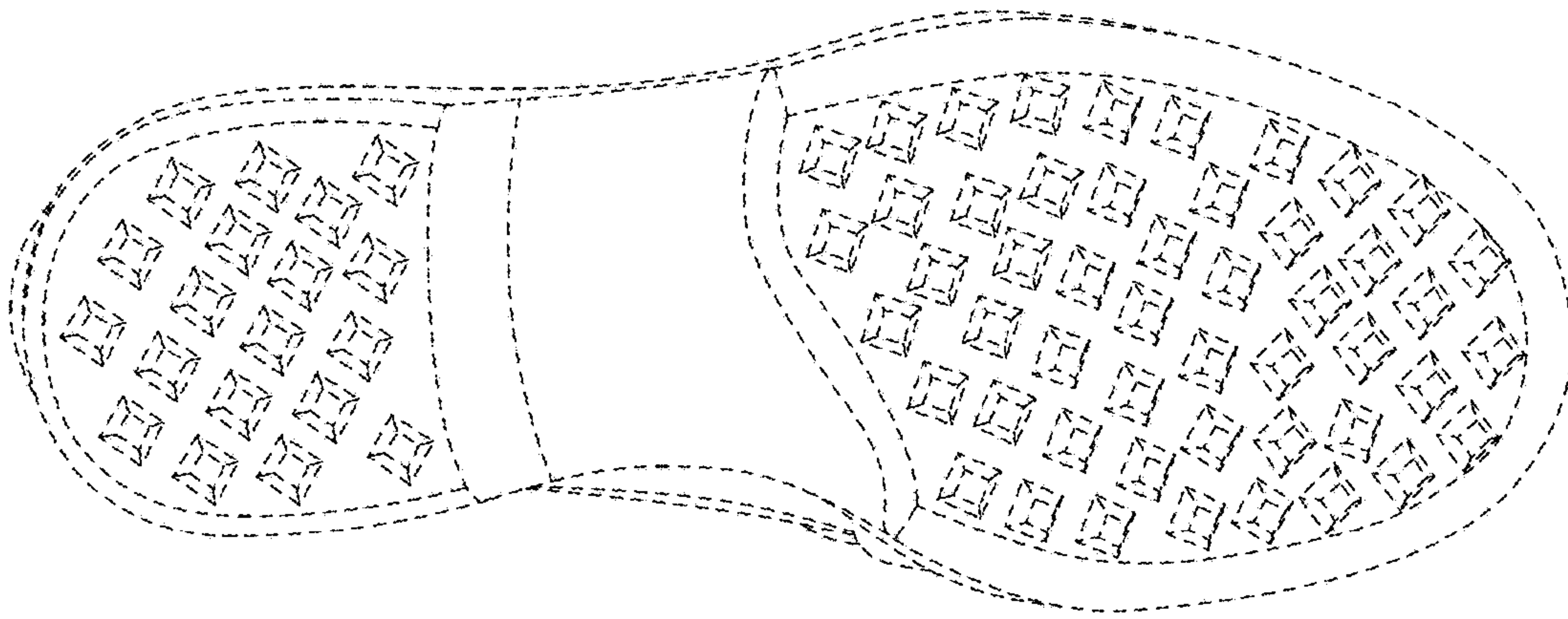


FIG. 9