



US00D826532S

(12) **United States Design Patent** (10) **Patent No.:** **US D826,532 S**  
**Ringholz et al.** (45) **Date of Patent:** **\*\* Aug. 28, 2018**

(54) **UPPER FOR A SHOE**  
(71) Applicant: **Plae, Inc.**, San Francisco, CA (US)  
(72) Inventors: **Ryan Ringholz**, Mill Valley, CA (US);  
**Christine Bettencourt**, San Francisco, CA (US)  
(73) Assignee: **PLAE, INC.**, San Francisco, CA (US)

D620,689 S \* 8/2010 Weber ..... D2/902  
D625,097 S \* 10/2010 Portzline ..... D2/946  
D626,312 S \* 11/2010 Della Valle ..... D2/908  
D636,156 S \* 4/2011 Della Valle ..... D2/907  
D661,874 S \* 6/2012 Hardy ..... D2/907  
D676,641 S \* 2/2013 Lin ..... D2/972  
D735,455 S \* 8/2015 Mochen ..... D2/945  
D737,553 S \* 9/2015 Della Valle ..... D2/944  
D738,076 S \* 9/2015 Sassi ..... D2/944

(\*\*) Term: **15 Years**

(21) Appl. No.: **29/588,374**

(22) Filed: **Dec. 20, 2016**

(51) **LOC (11) Cl.** ..... **02-04**

(52) **U.S. Cl.**  
USPC ..... **D2/969**; D2/944; D2/900

(58) **Field of Classification Search**  
USPC ..... D2/896, 897, 900, 902, 907, 908, 909,  
D2/912, 919, 920, 923, 929, 942, 943,  
D2/944, 945, 946, 951, 953, 955, 960,  
D2/969, 972, 974, 976  
CPC .... A43B 1/04; A43B 5/06; A43B 5/10; A43B  
23/24

See application file for complete search history.

(56) **References Cited**

**U.S. PATENT DOCUMENTS**

2,247,459 A \* 7/1941 Wolfhard ..... A43B 23/024  
36/45  
D151,303 S \* 10/1948 Walsh ..... D2/919  
3,430,365 A \* 3/1969 Dee, Jr. .... A43B 5/10  
36/102  
D250,917 S \* 1/1979 Wynne ..... D2/908  
D263,643 S \* 4/1982 Vermonet ..... D2/908  
D335,385 S \* 5/1993 Kawabata ..... D2/908  
D480,552 S \* 10/2003 Burg ..... D2/969

**OTHER PUBLICATIONS**

“Craze II Leather” by Keds. Zappos.com Apr. 22, 2017 <<http://www.zappos.com>>. Accessed on Sep. 14, 2017.\*

\* cited by examiner

*Primary Examiner* — Shannon W Morgan  
*Assistant Examiner* — Clare Ann Gannon  
(74) *Attorney, Agent, or Firm* — Wilmer Cutler Pickering  
Hale and Dorr LLP

(57) **CLAIM**

We claim the ornamental design for an upper for a shoe, as shown and described.

**DESCRIPTION**

FIG. 1 is a perspective view of an upper for a shoe of the present invention.  
FIG. 2 is a right side view thereof.  
FIG. 3 is a left side view thereof.  
FIG. 4 is a top view thereof.  
FIG. 5 is a rear view thereof; and,  
FIG. 6 is a front view thereof.  
The broken lines on the surface of the shoe in FIGS. 1-7 show stitching. The broken lines showing the sole and the periphery throughout the views from no part of the claim.

**1 Claim, 5 Drawing Sheets**



FIG. 1

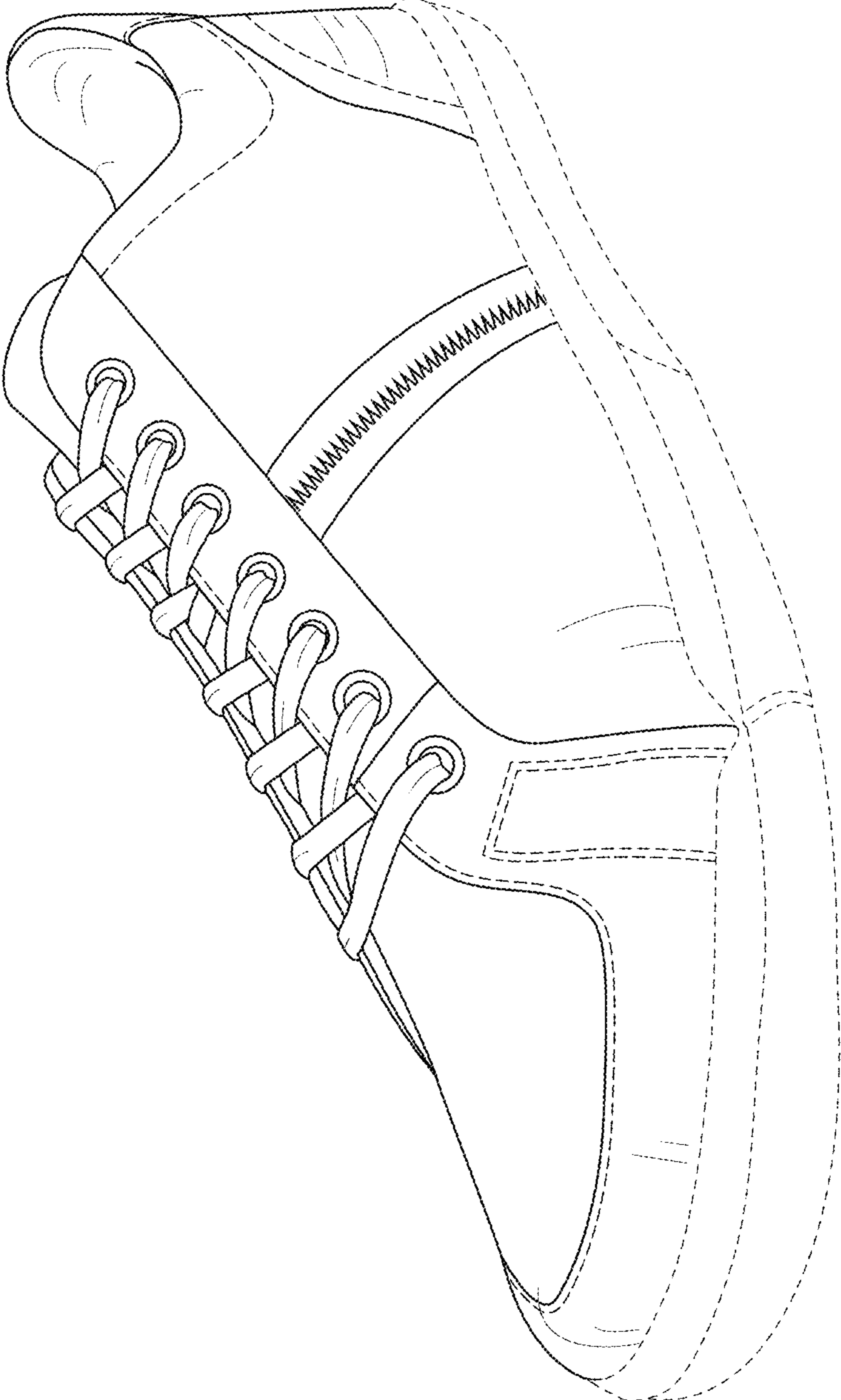


FIG. 2

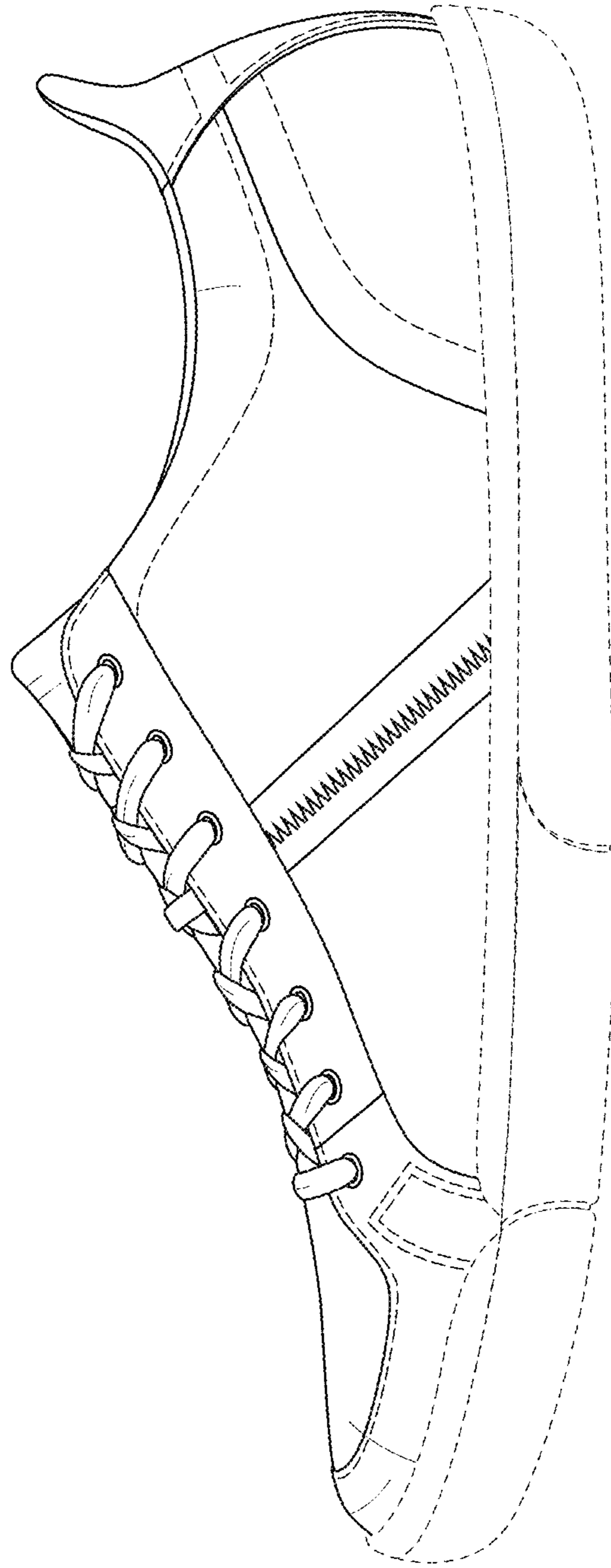


FIG. 3

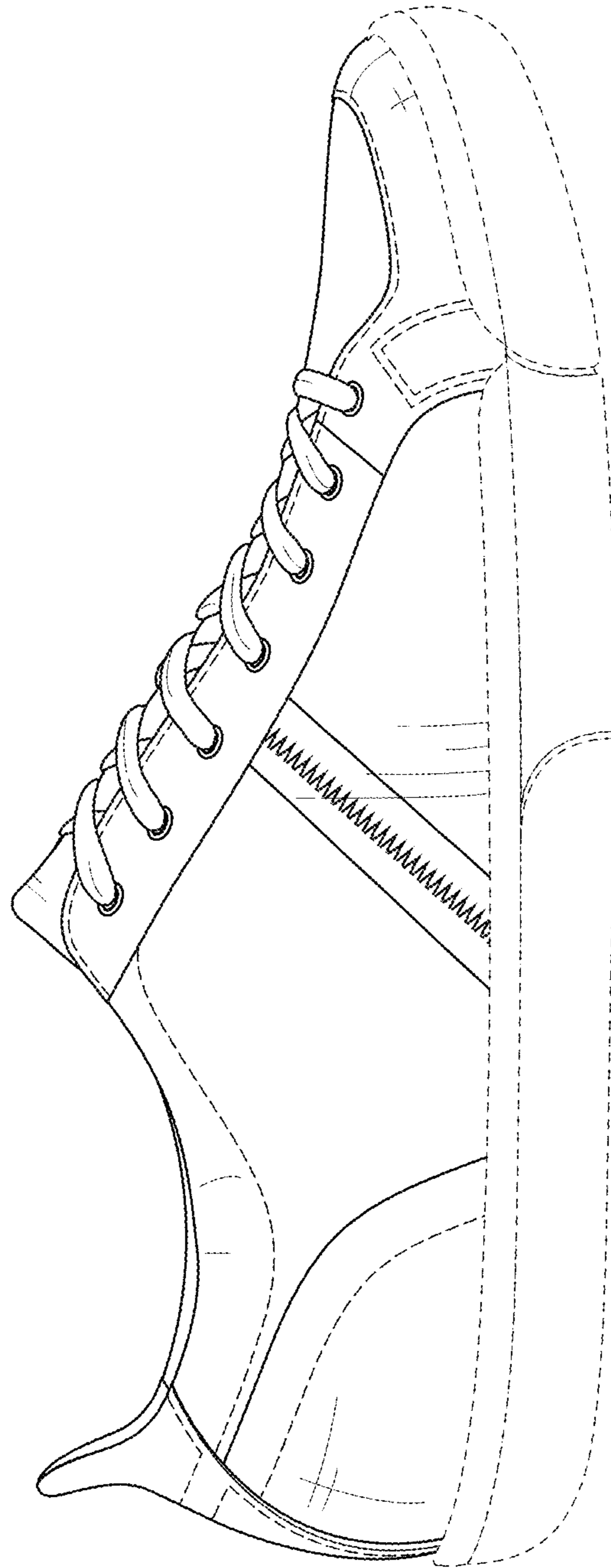


FIG. 4

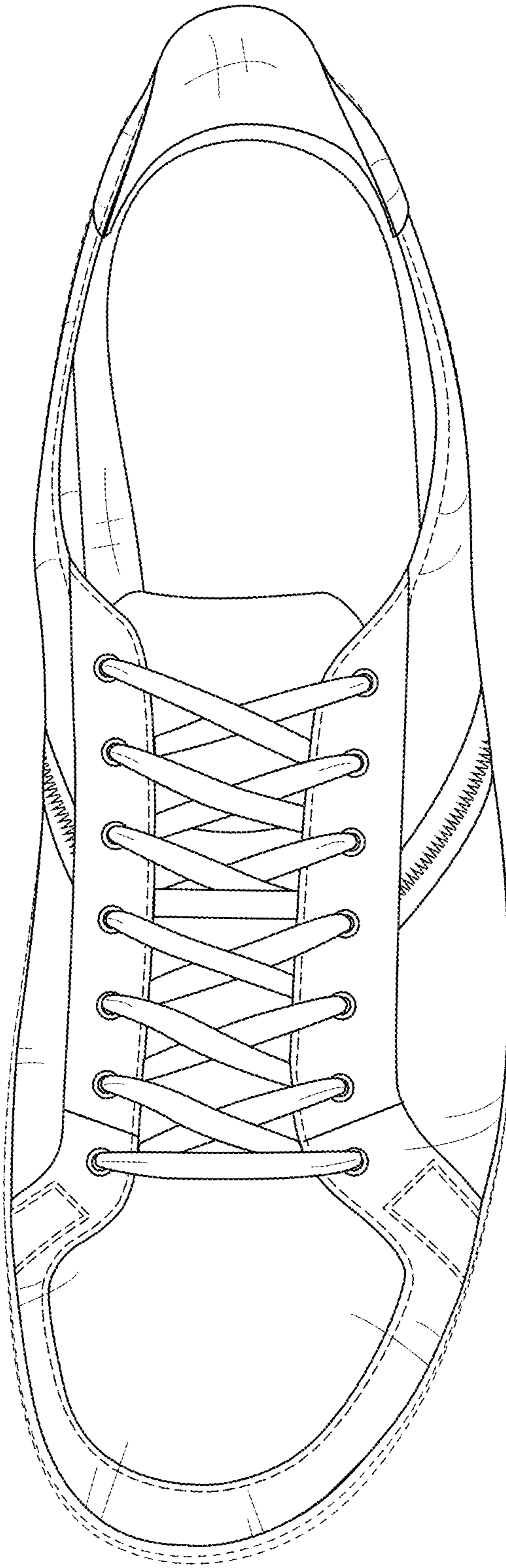


FIG. 6

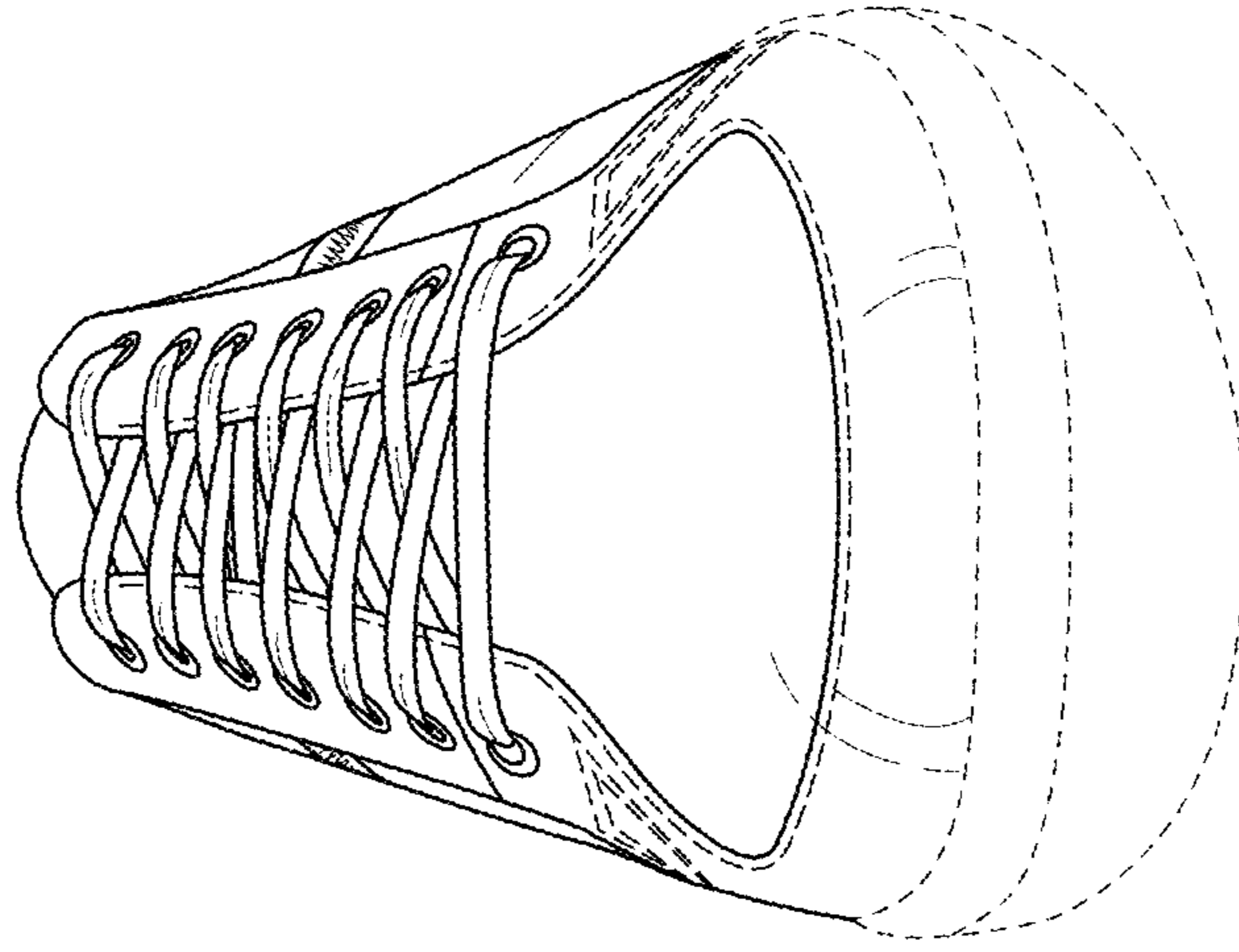


FIG. 5

