



US00D826520S

(12) **United States Design Patent**
Suleiman

(10) **Patent No.:** **US D826,520 S**

(45) **Date of Patent:** **** Aug. 28, 2018**

- (54) **HAT**
- (71) Applicant: **Faisal Suleiman**, Boston, MA (US)
- (72) Inventor: **Faisal Suleiman**, Boston, MA (US)
- (73) Assignee: **Faisal Suleiman**, Boston, MA (US)

(**) Term: **15 Years**

(21) Appl. No.: **29/614,787**

(22) Filed: **Aug. 23, 2017**

(51) **LOC (11) Cl.** **02-03**

(52) **U.S. Cl.**
USPC **D2/884**

(58) **Field of Classification Search**
 USPC D2/865, 866, 869, 870, 871, 872, 873,
 D2/874, 875, 876, 877, 878, 879, 880,
 D2/881, 882, 883, 884, 886, 891, 894,
 D2/895
 CPC A42B 1/00; A42B 1/004; A42B 1/006;
 A42B 1/02; A42B 1/06; A42B 1/061;
 A42B 1/062; A42B 1/063; A42B 1/24;
 A42B 1/241
 See application file for complete search history.

(56) **References Cited**

U.S. PATENT DOCUMENTS

| | | | | |
|--------------|--------|-----------|-------|--------|
| D365,917 S * | 1/1996 | Armstrong | | D2/865 |
| D366,352 S * | 1/1996 | Shoemaker | | D2/874 |
| D373,894 S * | 9/1996 | Turner | | D2/865 |
| D380,887 S * | 7/1997 | Durodola | | D2/865 |
| D396,546 S * | 8/1998 | Marrs | | D2/865 |
| D397,239 S * | 8/1998 | Marrs | | D2/865 |

| | | | | |
|----------------|---------|-------------|-------|-----------------------|
| 6,168,286 B1 * | 1/2001 | Duffy | | A42B 1/242 362/105 |
| D500,187 S * | 12/2004 | Richardson | | D2/884 |
| D572,437 S * | 7/2008 | Scott | | D2/882 |
| D662,289 S * | 6/2012 | Rinaldi | | D2/882 |
| D678,663 S * | 3/2013 | Gill | | D2/882 |
| D753,904 S * | 4/2016 | Fitzpatrick | | D2/869 |

* cited by examiner

Primary Examiner — Karen S Acker

Assistant Examiner — Jasmine Mlinarcik

(74) *Attorney, Agent, or Firm* — Ascentage Patent Law, LLC; Travis Lee Johnson; David S. Einfeldt

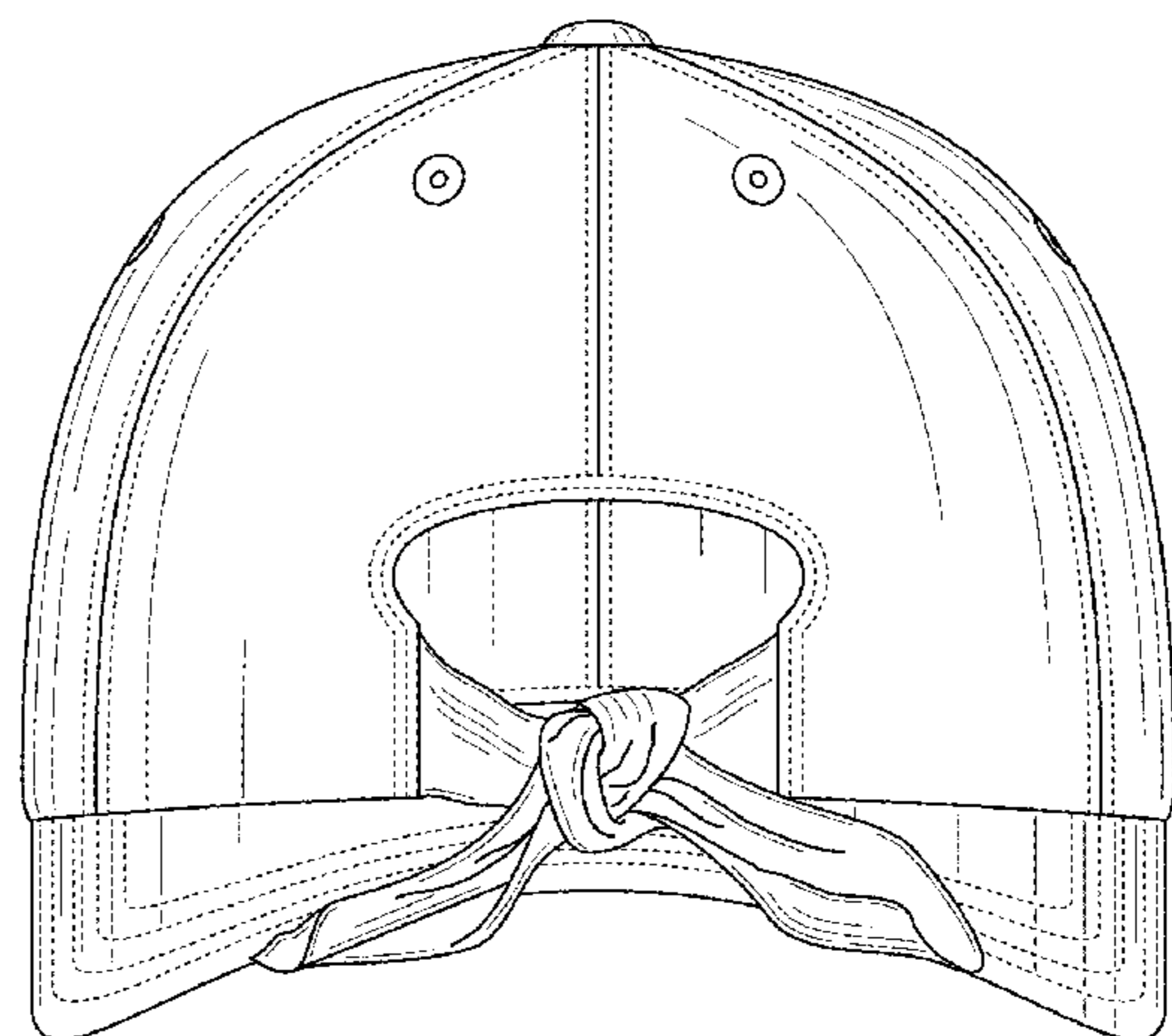
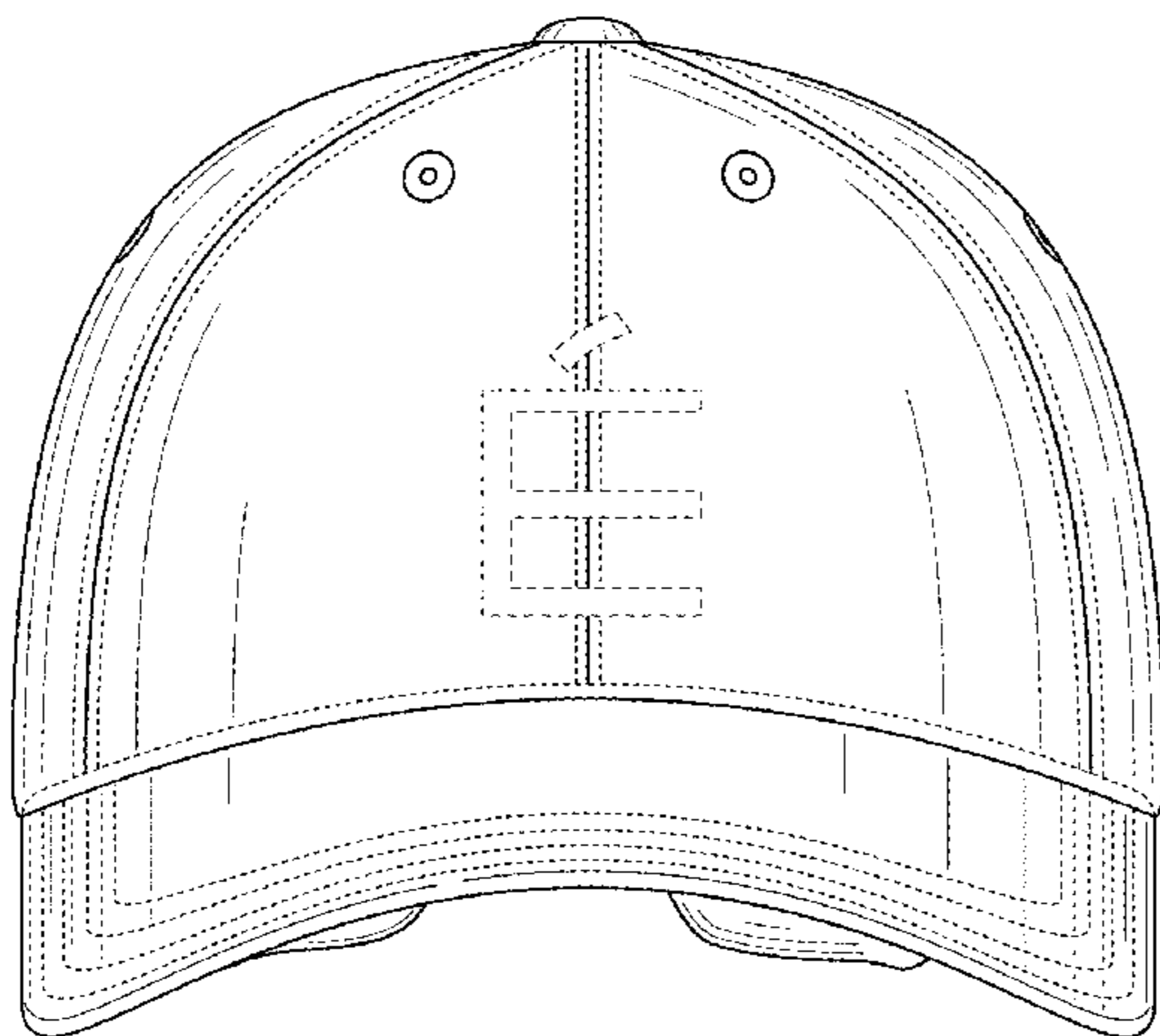
(57) **CLAIM**

The ornamental design for the hat, as shown and described.

DESCRIPTION

FIG. 1 illustrates a top view of a hat showing my new design;
 FIG. 2 illustrates a front view of the hat of FIG. 1;
 FIG. 3 illustrates a rear view of the hat of FIG. 1;
 FIG. 4 illustrates a rear perspective view of the hat of FIG. 1 with the tie straps in a loose and untied configuration;
 FIG. 5 illustrates an enlarged detail view of a tie strap of the hat of FIG. 1;
 FIG. 6 illustrates a right side view of the hat of FIG. 1; and,
 FIG. 7 illustrates a left side view of the hat of FIG. 1.
 Broken lines in the drawings depict portions of the hat that form no part of the claimed design.
 The symbolic break line on the left edge in FIG. 5 depicts the boundary of an enlarged view of one of the straps shown untied in FIG. 4. The break line forms no part of the claimed design.

1 Claim, 5 Drawing Sheets



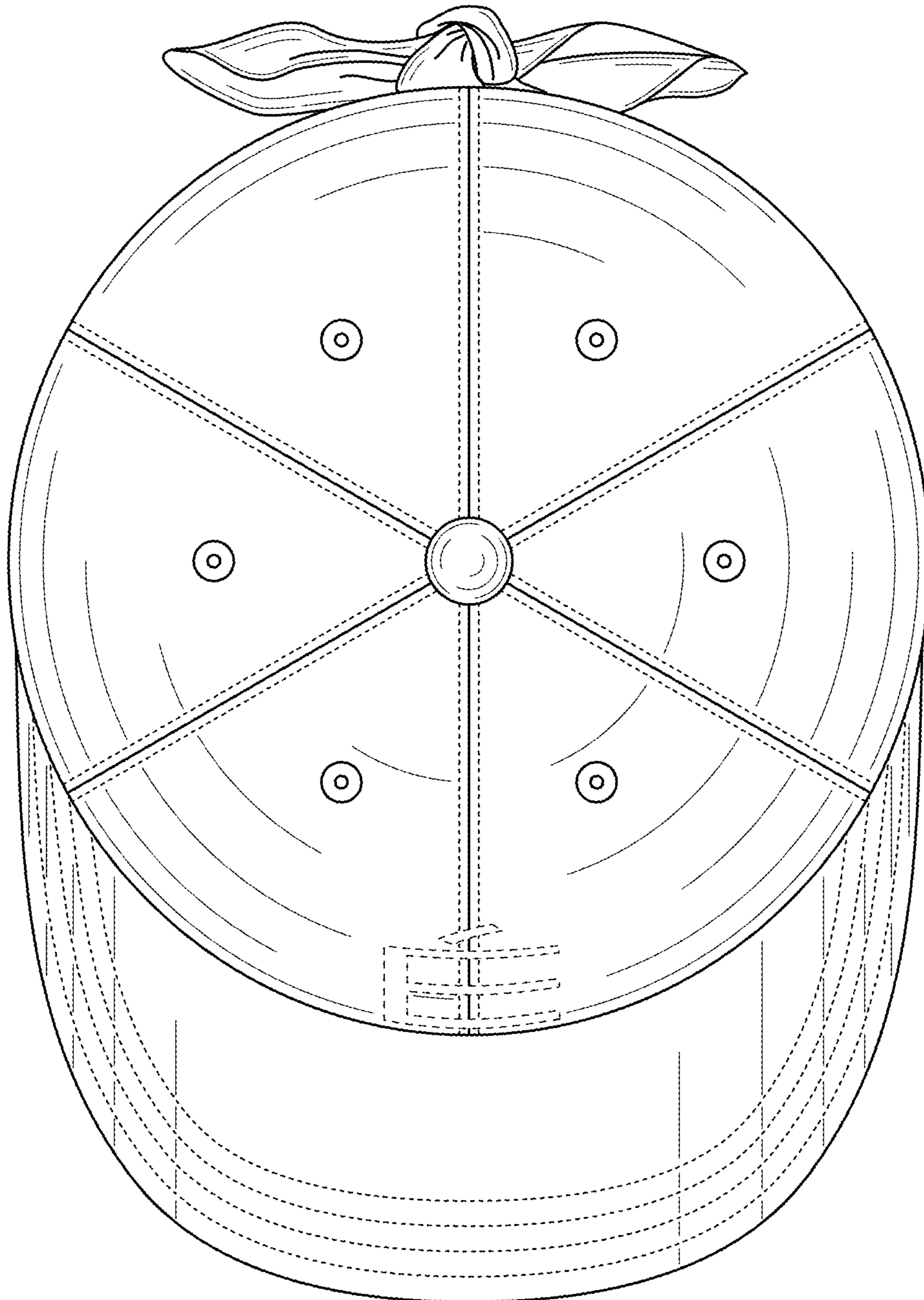


FIG. 1

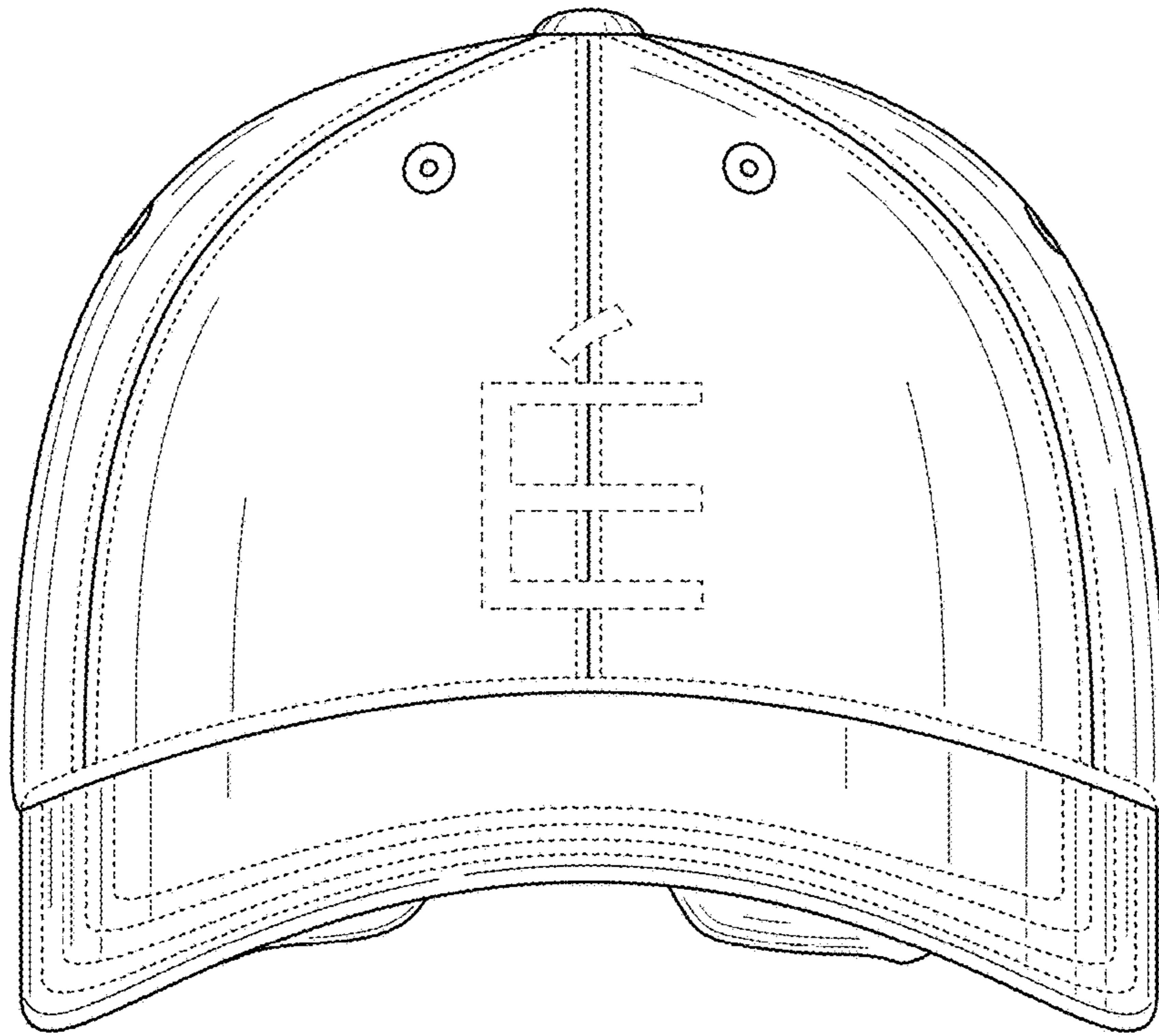


FIG. 2

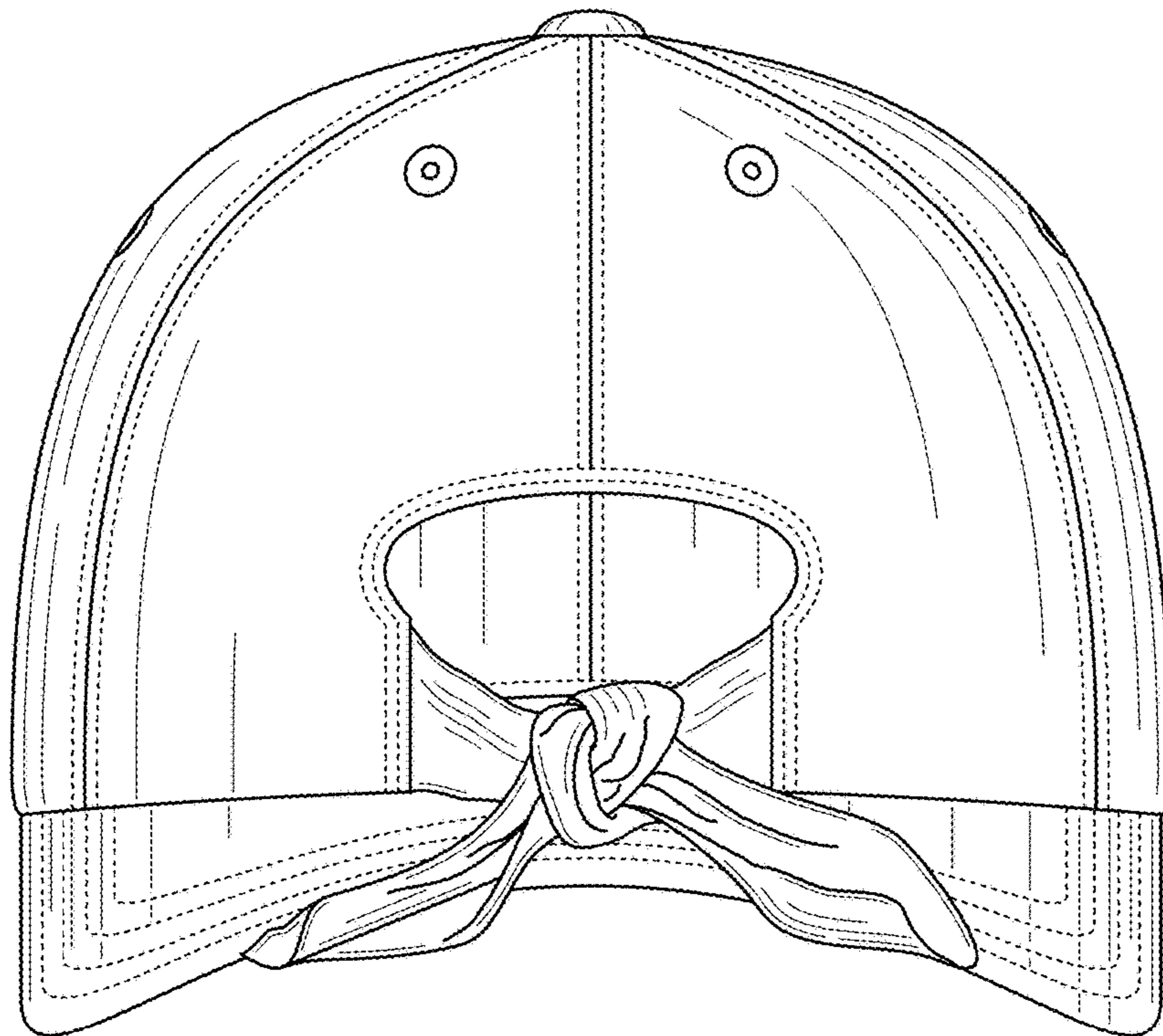


FIG. 3

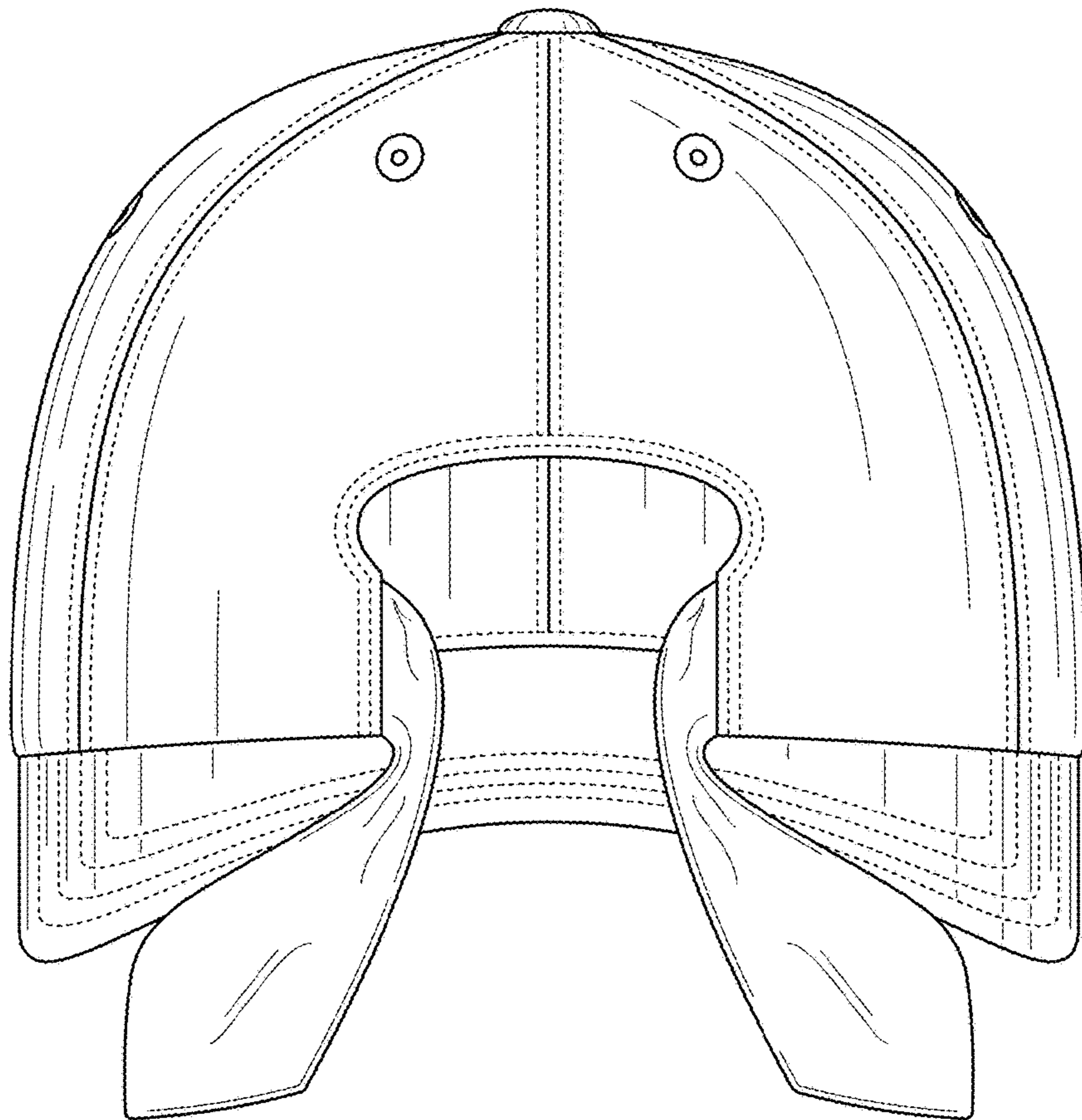


FIG. 4

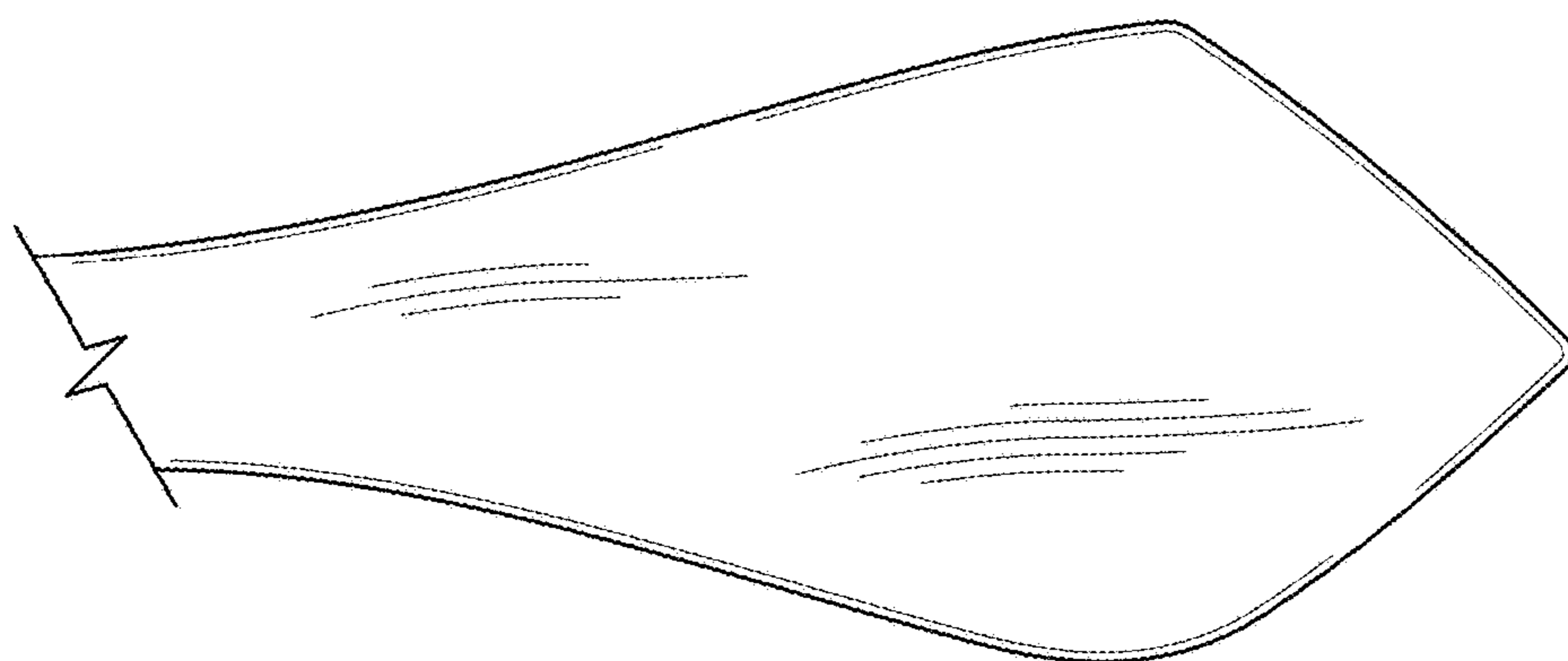


FIG. 5

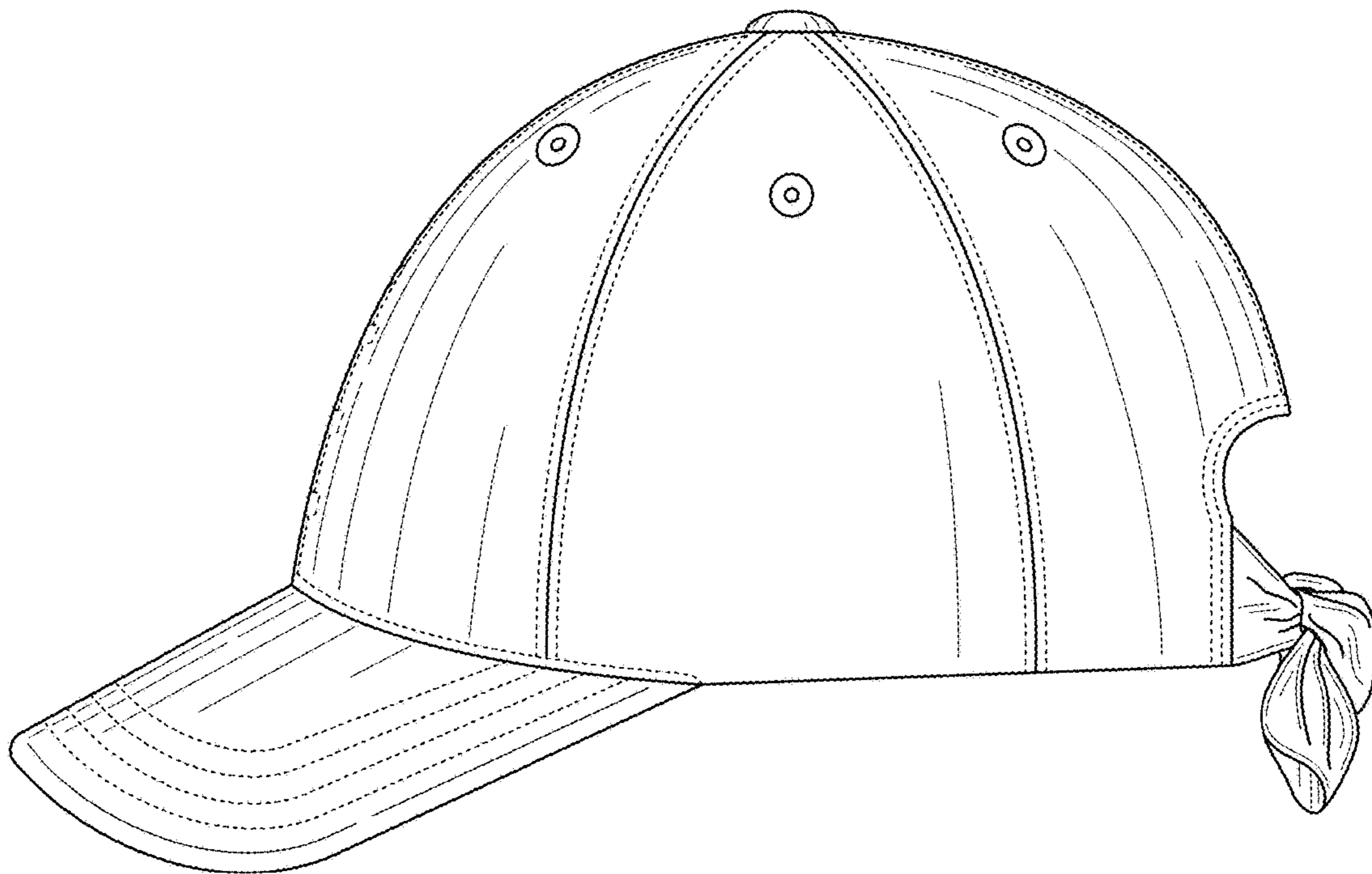


FIG. 6

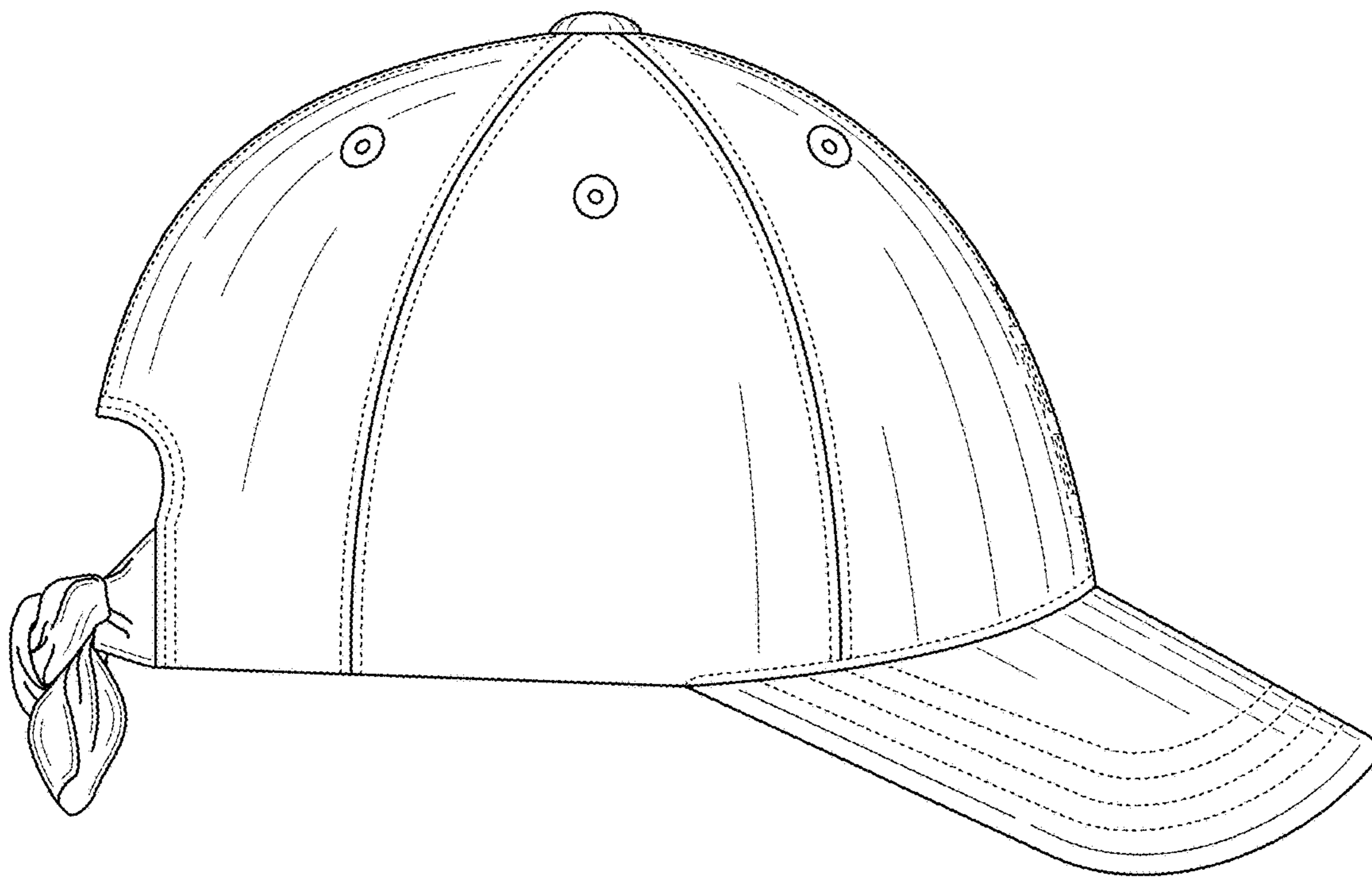


FIG. 7