



US00D826516S

(12) **United States Design Patent** (10) **Patent No.:** **US D826,516 S**  
**Vopni et al.** (45) **Date of Patent:** **\*\* Aug. 28, 2018**

(54) **AFTER BABY AB WRAP**  
(71) Applicants: **Kimberly Suzanne Vopni**, Port Moody (CA); **Julia Di Paolo**, Toronto (CA); **Samantha NK Montpetit-Huynh**, Toronto (CA)  
(72) Inventors: **Kimberly Suzanne Vopni**, Port Moody (CA); **Julia Di Paolo**, Toronto (CA); **Samantha NK Montpetit-Huynh**, Toronto (CA)

(\*\*) Term: **15 Years**

(21) Appl. No.: **29/563,914**

(22) Filed: **May 9, 2016**

(51) **LOC (11) Cl.** ..... **02-07**

(52) **U.S. Cl.**  
USPC ..... **D2/624**

(58) **Field of Classification Search**  
USPC ..... D2/701-704, 624, 627, 634, 714;  
D24/190; D29/101.5  
CPC .... A61F 5/028; A61F 5/03; A61F 7/02; A61F  
2007/0001  
See application file for complete search history.

(56) **References Cited**

**U.S. PATENT DOCUMENTS**

2,840,822 A \* 7/1958 Ericsson ..... A41C 1/10  
450/123  
D278,657 S \* 4/1985 Nakao ..... D2/702  
4,622,957 A \* 11/1986 Curlee ..... A61F 5/028  
128/118.1  
D289,227 S \* 4/1987 Glynn ..... D2/627  
5,179,942 A \* 1/1993 Drulias ..... A61F 5/028  
128/101.1  
D380,588 S \* 7/1997 Chen ..... D2/702  
6,048,253 A \* 4/2000 Larsen ..... A41C 1/10  
2/44  
6,921,375 B2 \* 7/2005 Kihara ..... A61F 5/028  
2/311  
D628,300 S \* 11/2010 Caden ..... D24/190  
D636,494 S \* 4/2011 Garth ..... D24/190

D654,247 S \* 2/2012 Osbourne ..... D2/702  
D725,347 S \* 3/2015 Kirkwood ..... D2/701  
D728,804 S \* 5/2015 Hansen ..... D24/190  
9,161,854 B2 \* 10/2015 Fruscione-Loizides .....  
A61F 5/02  
D742,092 S \* 11/2015 Sekula ..... D2/627  
D752,233 S \* 3/2016 Fruscione-Loizides ..... D24/190  
D758,045 S \* 6/2016 Suarez ..... D2/700  
9,579,237 B2 \* 2/2017 Hansen ..... A61F 5/03  
2007/0225783 A1 \* 9/2007 Koby ..... A61F 7/02  
607/108

\* cited by examiner

*Primary Examiner* — Robin Valery Webster  
*Assistant Examiner* — James C. Thorn, Sr.

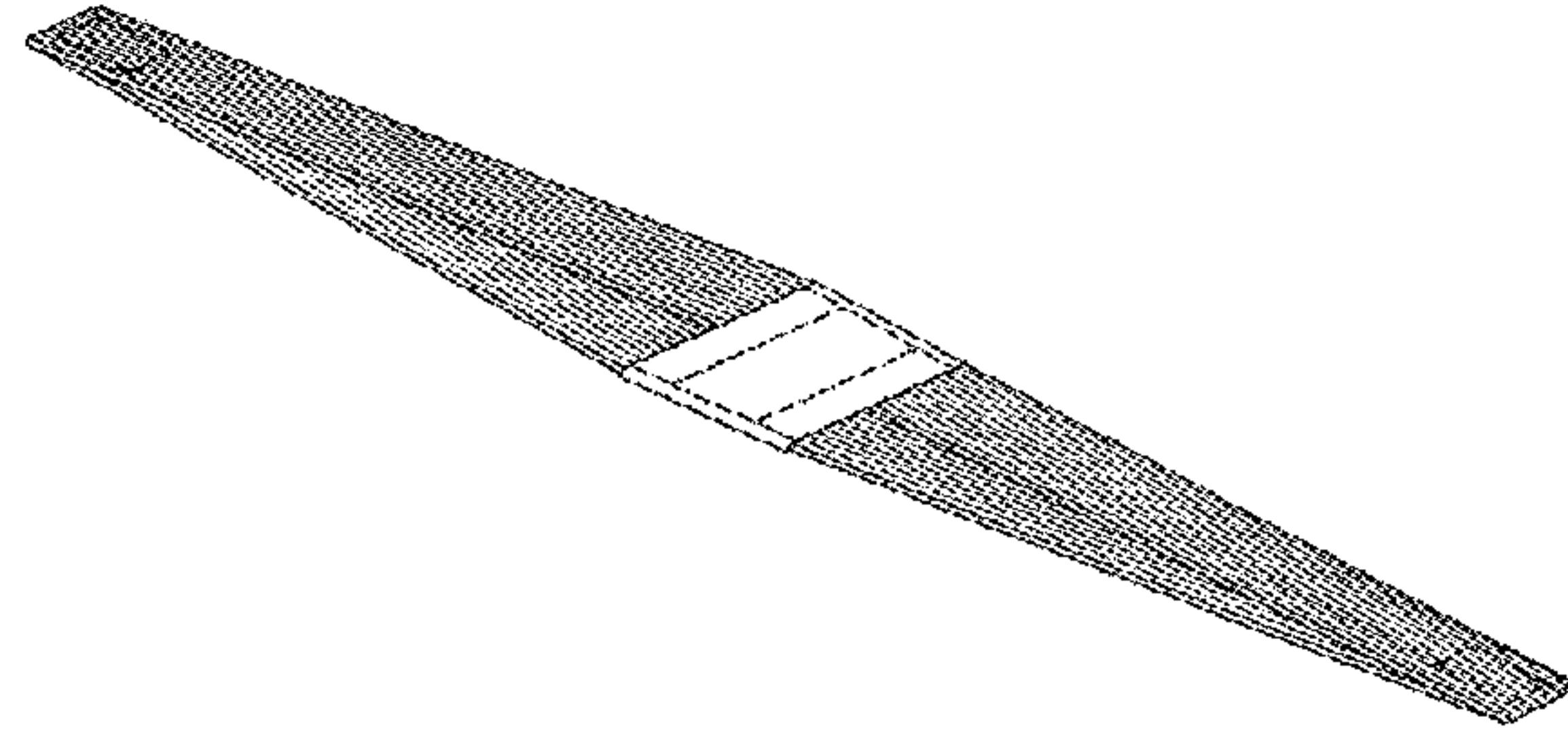
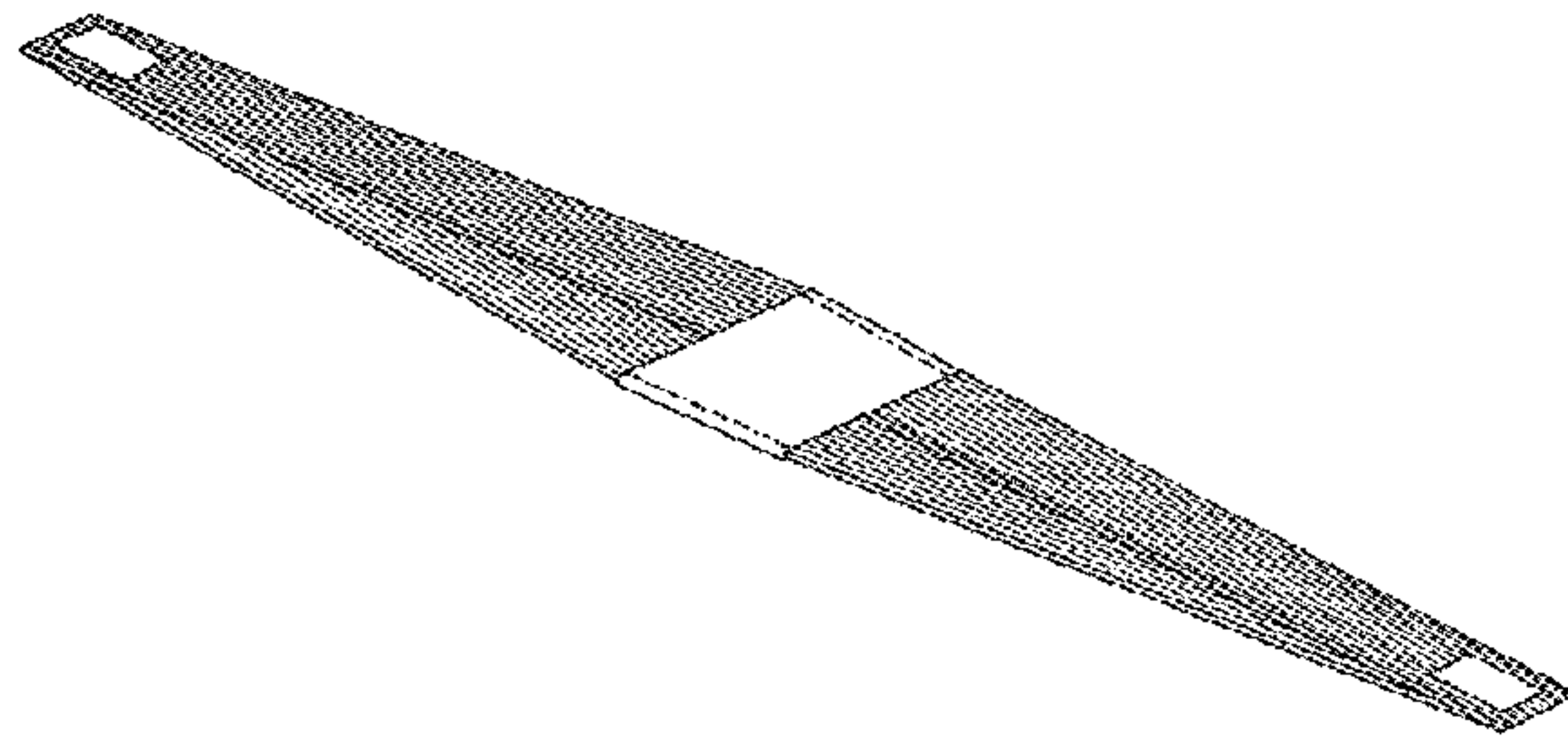
(57) **CLAIM**

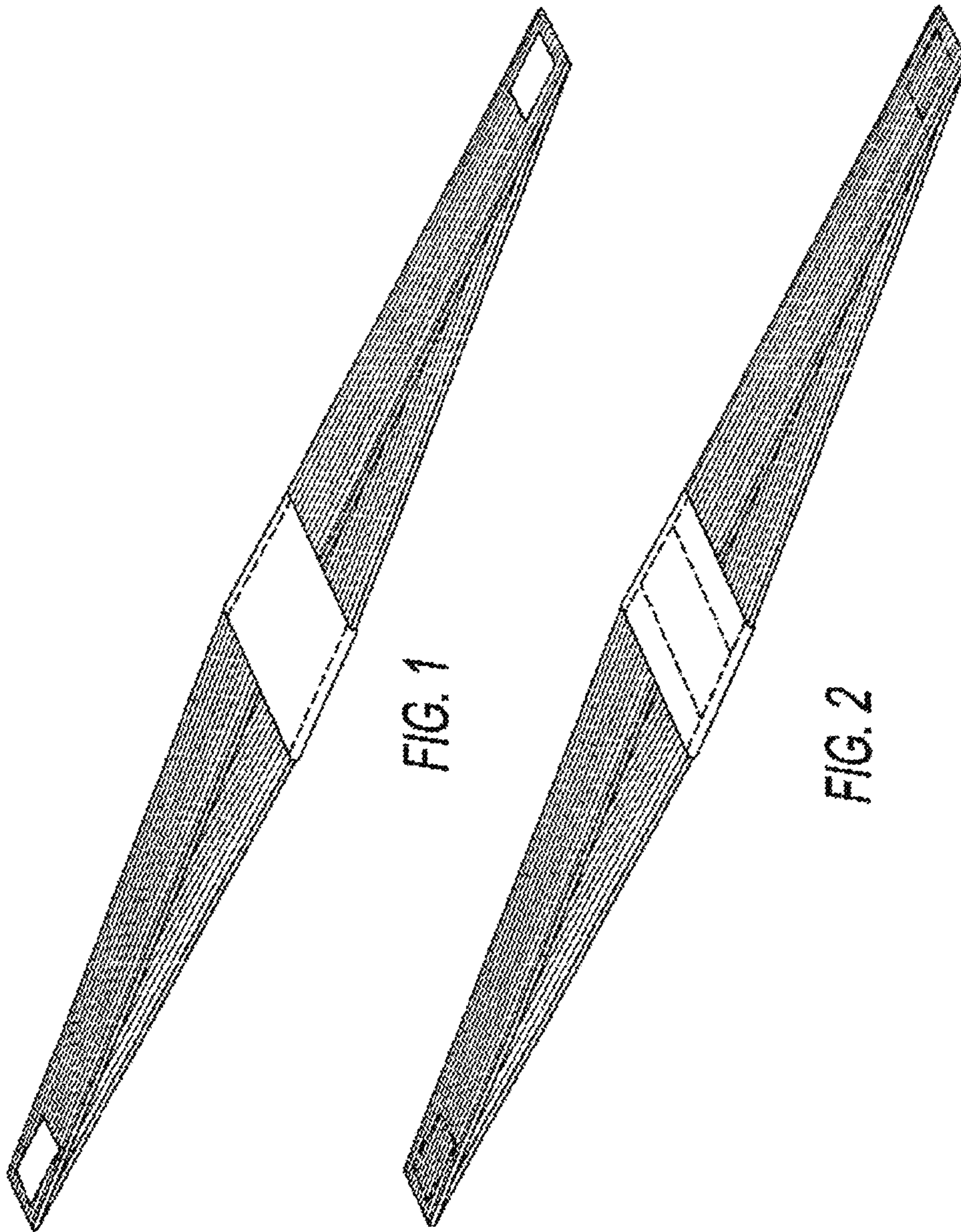
I claim the ornamental design for an after baby AB wrap, as shown and described.

**DESCRIPTION**

FIG. 1 is an inside perspective view of a after baby AB wrap showing my new design;  
FIG. 2 is an outside perspective view thereof;  
FIG. 3 is an inside view thereof;  
FIG. 4 is an outside view thereof;  
FIG. 5 is a top plan view thereof;  
FIG. 6 is a bottom plan view thereof;  
FIG. 7 is a left side view thereof;  
FIG. 8 is a right side view thereof;  
FIG. 9 is a left side view thereof, shown in use;  
FIG. 10 is a right side view thereof, shown in use; and,  
FIG. 11 is a front view thereof, shown in use.  
The broken lines shown in FIGS. 1, 2, 3, and 4 represent stitching and form no part of the claimed design, and the broken lines forming the person in FIGS. 9-11 are included for the purpose of illustrating environment structure and form no part of the claimed design.

**1 Claim, 4 Drawing Sheets**







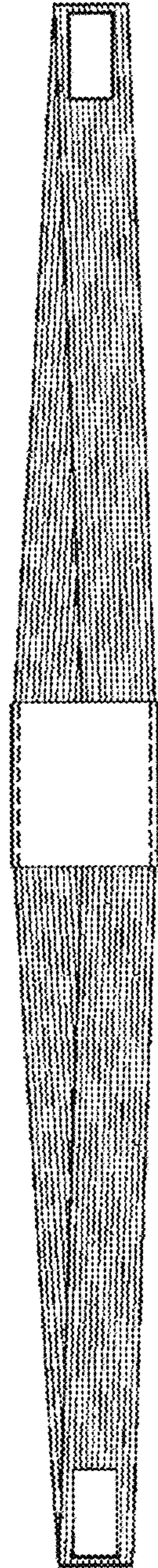


FIG. 3

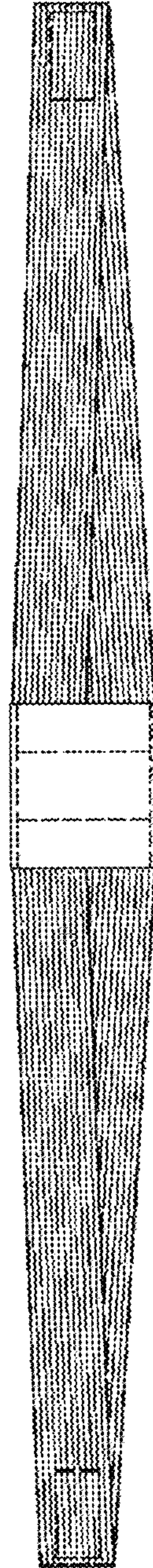


FIG. 4

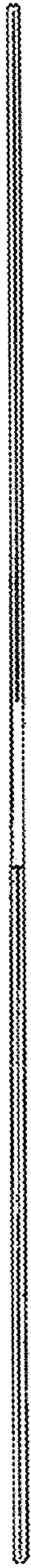


FIG. 5



FIG. 6

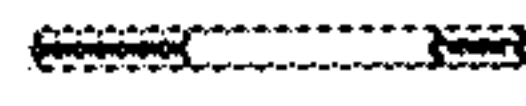


FIG. 7

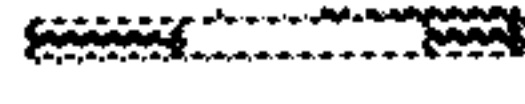


FIG. 8

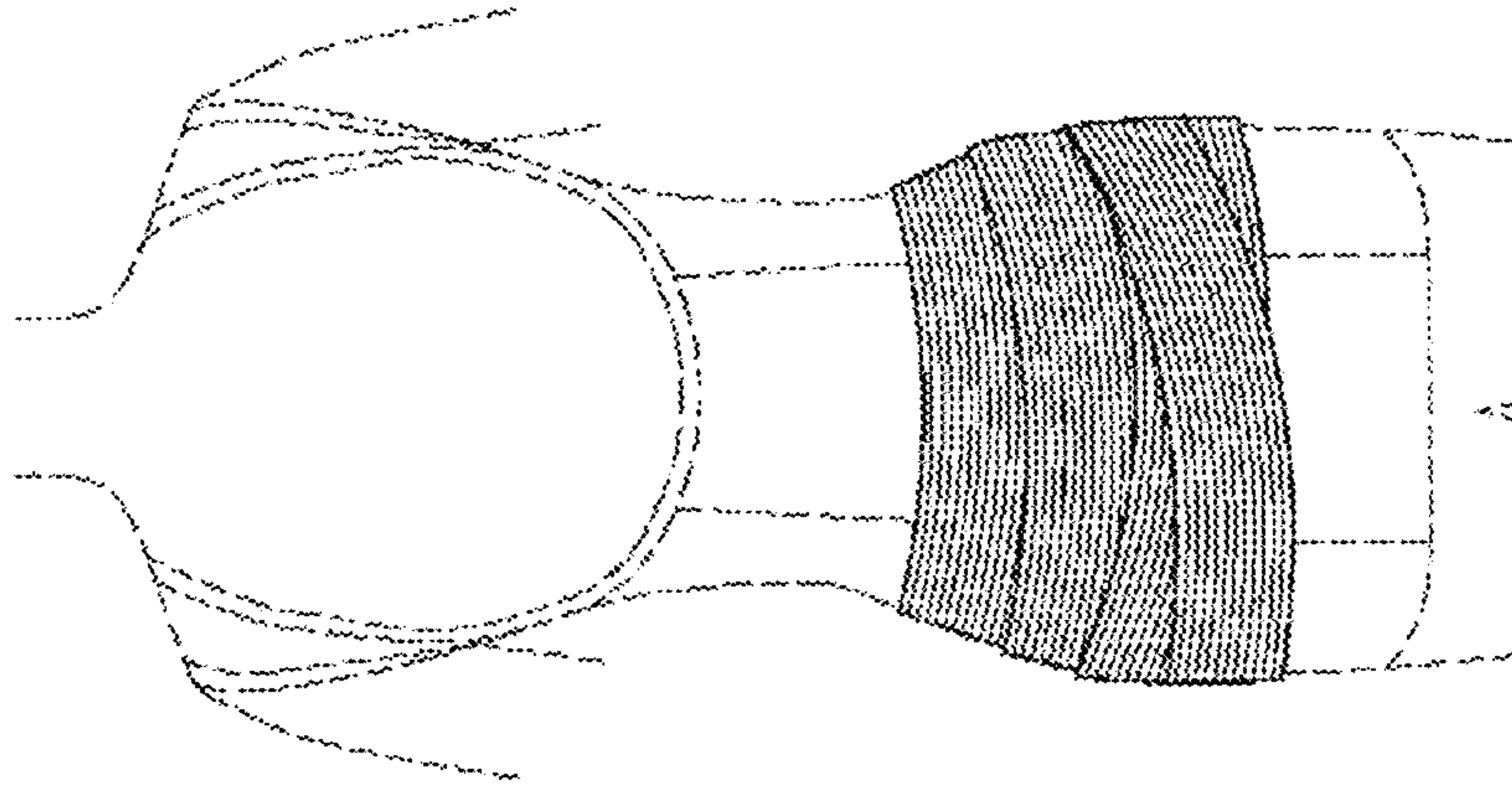


FIG. 9

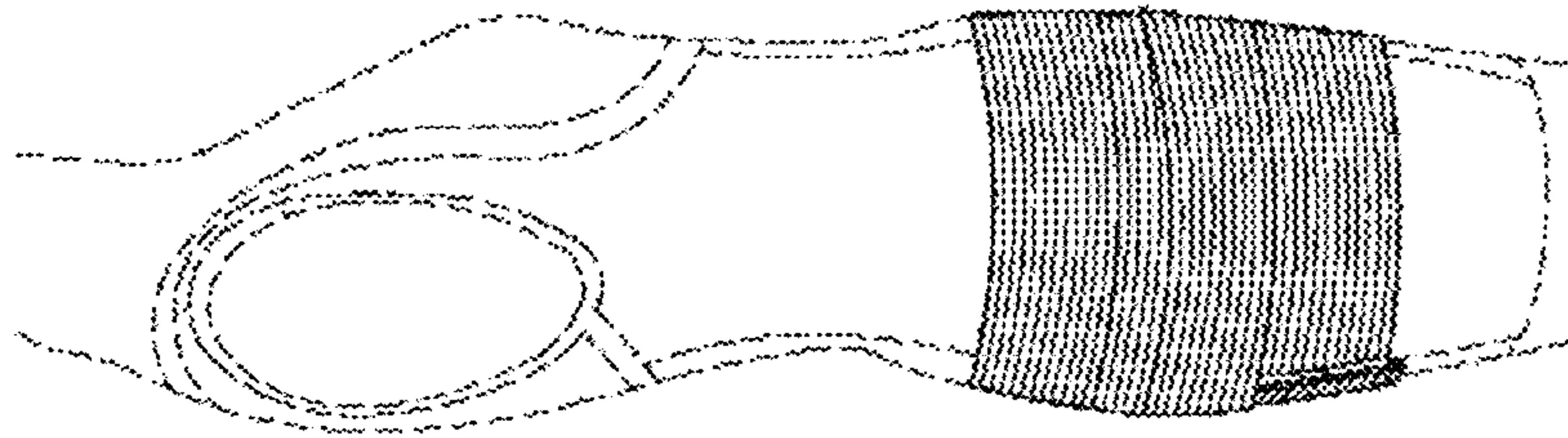


FIG. 10

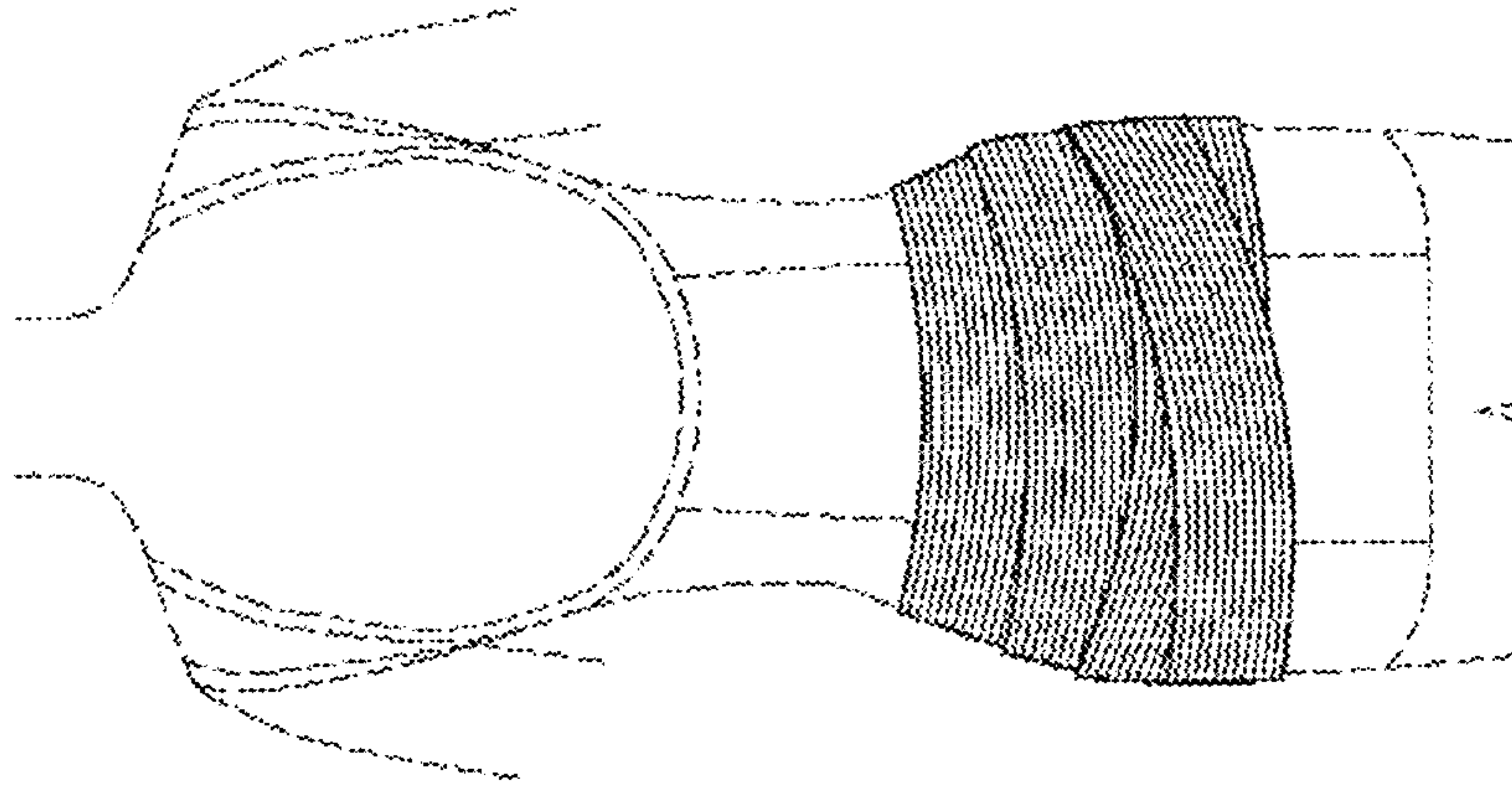


FIG. 11