



US00D826514S

(12) **United States Design Patent**
Park et al.

(10) **Patent No.:** **US D826,514 S**

(45) **Date of Patent:** **** Aug. 21, 2018**

(54) **AUTOMATED TELLER MACHINE**

(56) **References Cited**

(71) Applicant: **Nautilus Hyosung Inc.**, Seoul (KR)

U.S. PATENT DOCUMENTS

(72) Inventors: **Jae Min Park**, Gyeonggi-do (KR); **Hee Youn Lee**, Gyeonggi-do (KR); **Jae Min Cha**, Gyeonggi-do (KR)

D318,553 S *	7/1991	Brown	D99/28
D454,421 S *	3/2002	Jeon	D18/3.3
D492,080 S *	6/2004	Magee	D99/28
D530,880 S *	10/2006	Magee	D99/28
D540,004 S *	4/2007	Kang	D99/28
7,533,802 B1 *	5/2009	McGinley	G07F 19/20 235/376
D596,374 S *	7/2009	Kang	D99/28
D625,305 S *	10/2010	Bleck	D14/307
D629,585 S *	12/2010	Bleck	D14/307
D645,223 S *	9/2011	Bleck	D14/307
D674,985 S *	1/2013	Lee	D14/900
D682,504 S *	5/2013	Lee	D14/900
D724,812 S *	3/2015	Cha	D99/28
D743,956 S *	11/2015	Kraft	D14/307
D769,570 S *	10/2016	Kraft	D99/28
D769,571 S *	10/2016	Lee	D99/28
D769,572 S *	10/2016	Park	D99/28
D779,148 S *	2/2017	Lee	D99/28
D782,147 S *	3/2017	Lee	D99/28
D792,049 S *	7/2017	Oh	D99/28

(73) Assignee: **NAUTILUS HYOSUNG INC.**, Seoul (KR)

(**) Term: **15 Years**

(21) Appl. No.: **29/607,360**

(22) Filed: **Jun. 13, 2017**

(30) **Foreign Application Priority Data**

Dec. 26, 2016 (KR) 30-2016-0063245

(51) **LOC (11) Cl.** **99-00**

(52) **U.S. Cl.**
USPC **D99/28**

(58) **Field of Classification Search**
USPC D99/28, 34, 25, 26, 43, 99;
D14/300-302, 305, 307, 900-902;
D18/3.1-3.3, 4.1-4.6, 12.1-12.3;
D21/324, 325, 329, 369, 370
CPC ... G07B 1/00; G07B 1/02; G07B 1/04; G07B
1/06; G07B 1/08; G07B 3/00; G07B
3/02; G07B 3/04; G07B 5/00; E05B
65/0075; E05G 1/00; E05G 1/005; E05G
1/02; E05G 1/024; E05G 5/00; E05G
5/003; E05G 5/006; E05G 5/02; E05G
7/00; E05G 7/001; E05G 2700/00; E05G
2700/02; G07F 19/00; G07F 19/20; G07F
19/201; G07F 19/202; G07F 19/203;
G07F 19/204; G07F 19/205; G07D 11/00;
G07D 11/0021; G07D 2201/00

See application file for complete search history.

(Continued)

Primary Examiner — Elizabeth J Oswecki

(74) *Attorney, Agent, or Firm* — Bacon & Thomas, PLLC

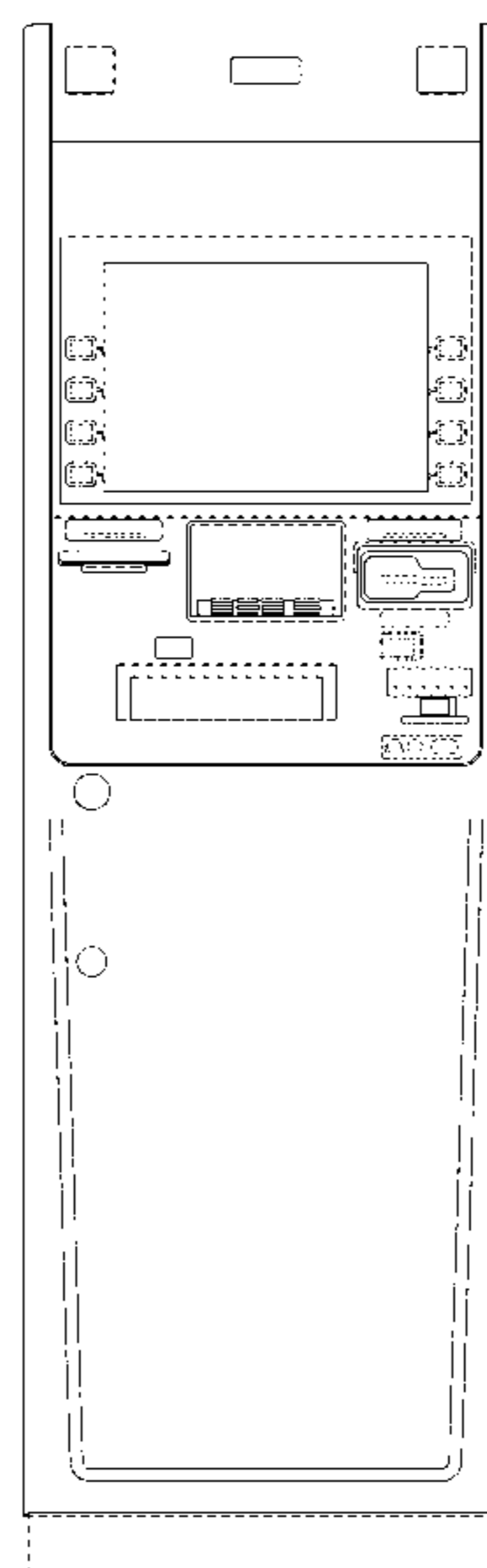
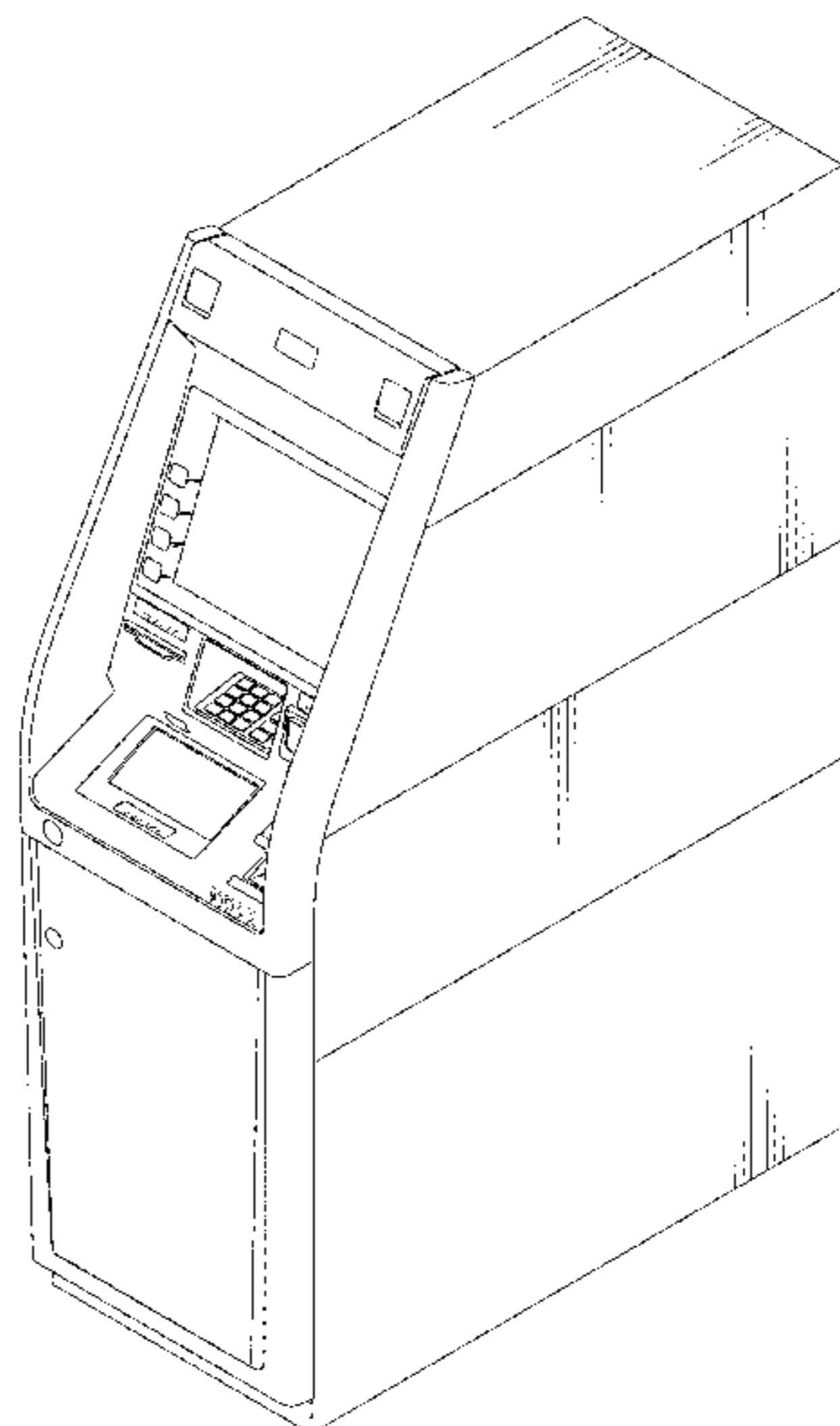
(57) **CLAIM**

The ornamental design for an automated teller machine, as shown and described.

DESCRIPTION

FIG. 1 is a perspective view of an automated teller machine, showing our new design;
FIG. 2 is a front elevational view thereof;
FIG. 3 is a rear elevational view thereof;
FIG. 4 is a left side elevational view thereof;
FIG. 5 is a right side elevational view thereof;
FIG. 6 is a top plan view thereof; and,
FIG. 7 is a bottom plan view thereof.

1 Claim, 7 Drawing Sheets



(56)

References Cited

U.S. PATENT DOCUMENTS

D803,507 S * 11/2017 Park D99/28
2004/0262379 A1* 12/2004 Gomes G06Q 30/06
235/379
2008/0296365 A1* 12/2008 Schliebe G01G 19/52
235/379
2009/0057398 A1* 3/2009 Douglass G07F 19/20
235/379

* cited by examiner

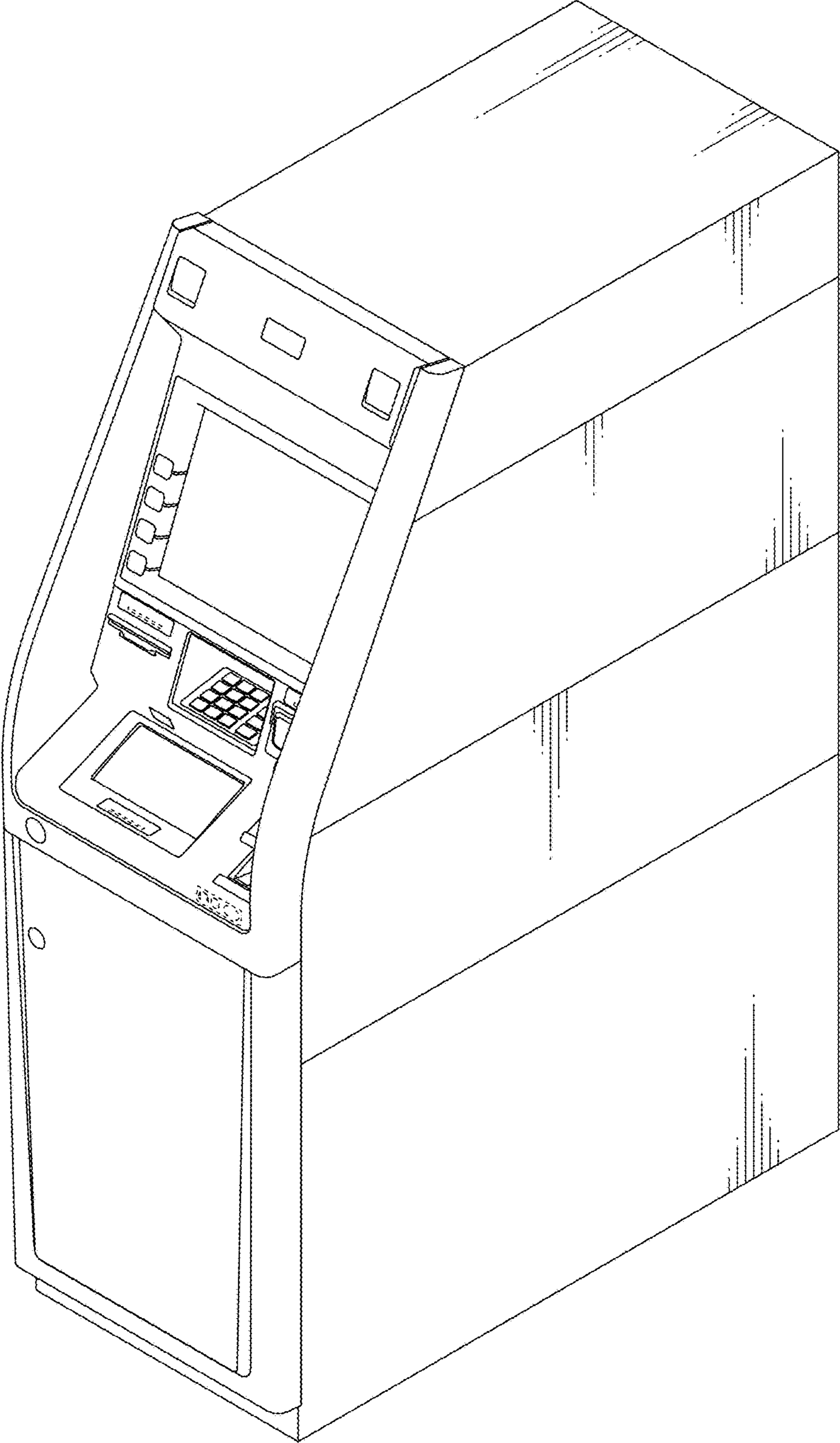


FIG. 1

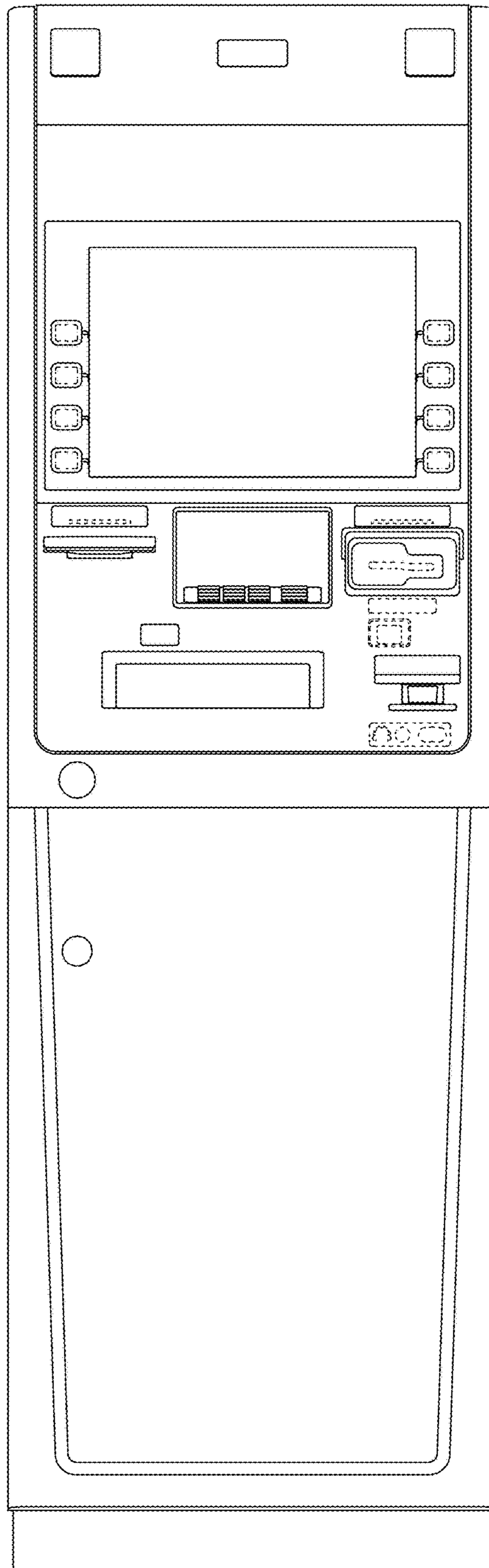


FIG. 2

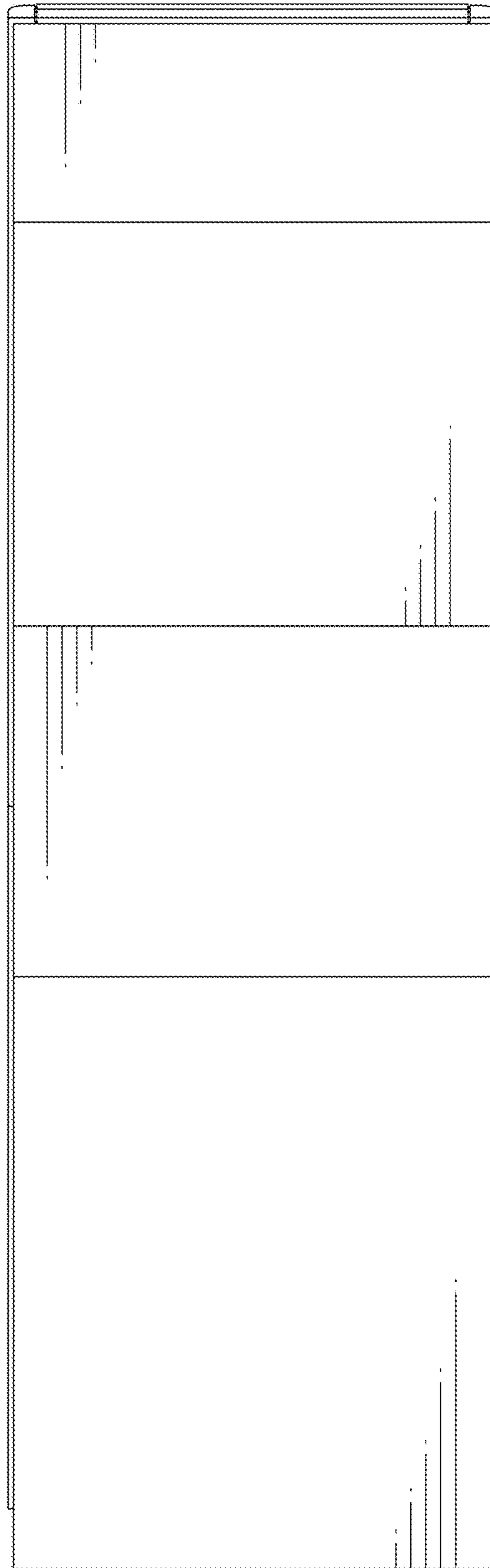


FIG. 3

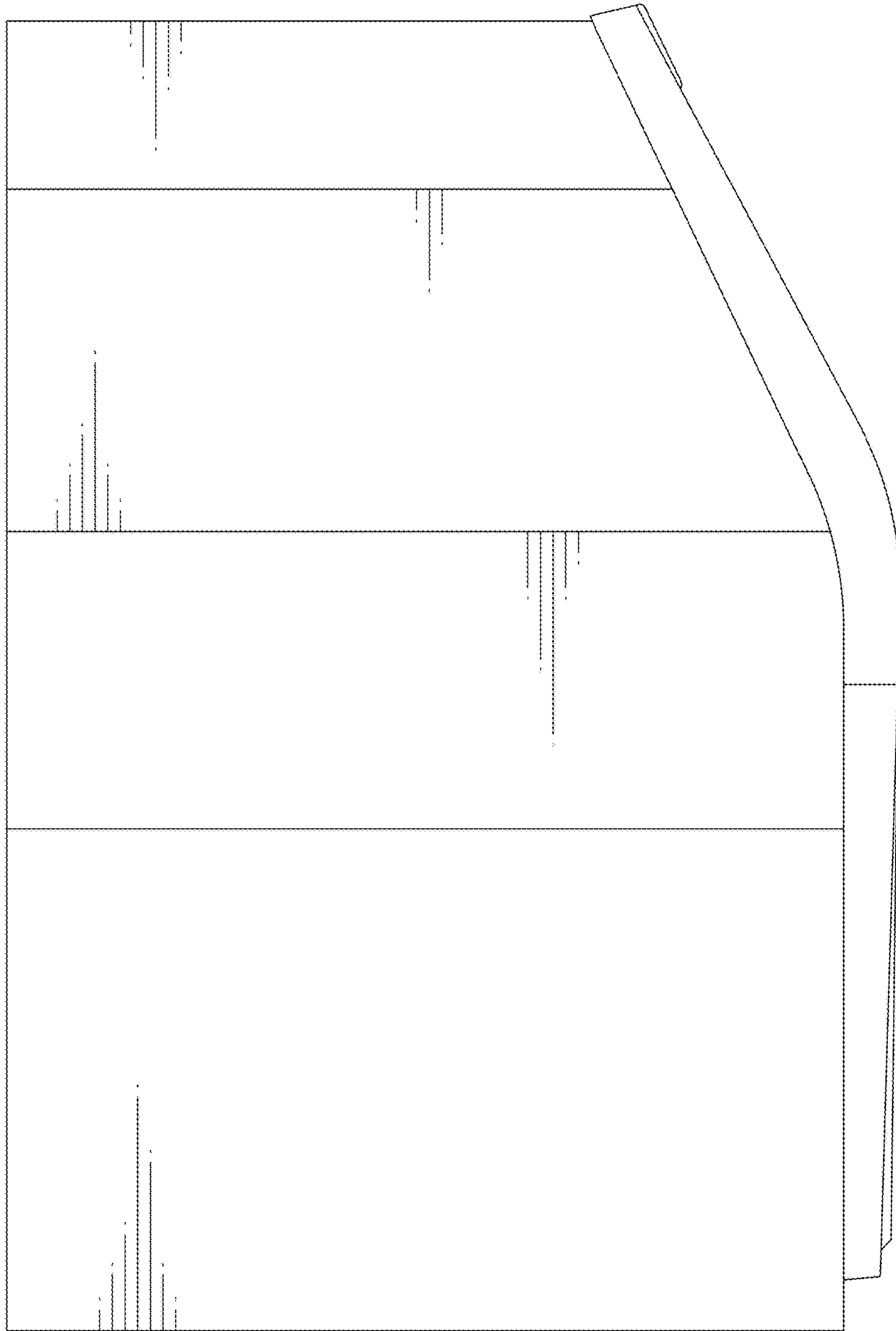


FIG. 4

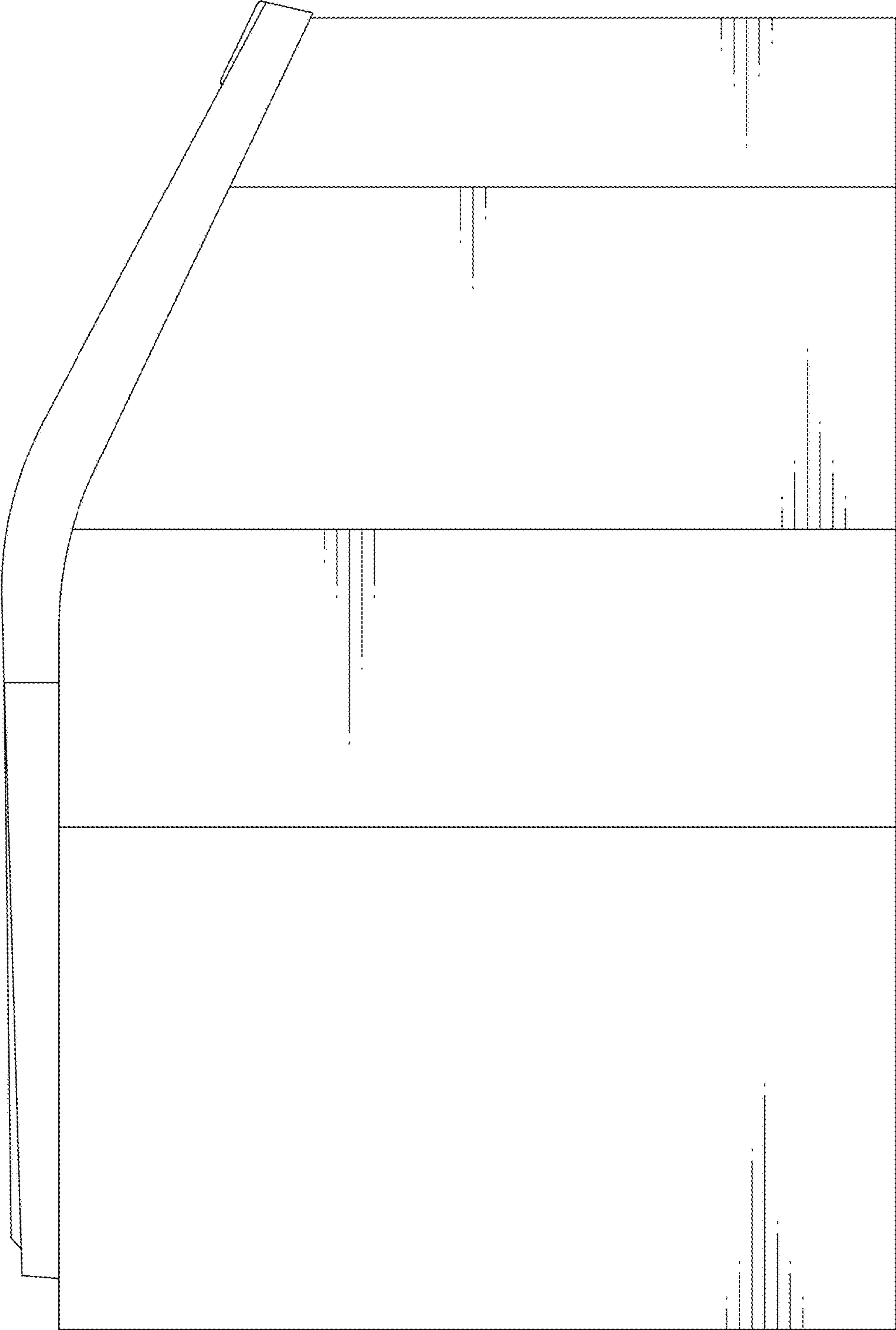


FIG. 5

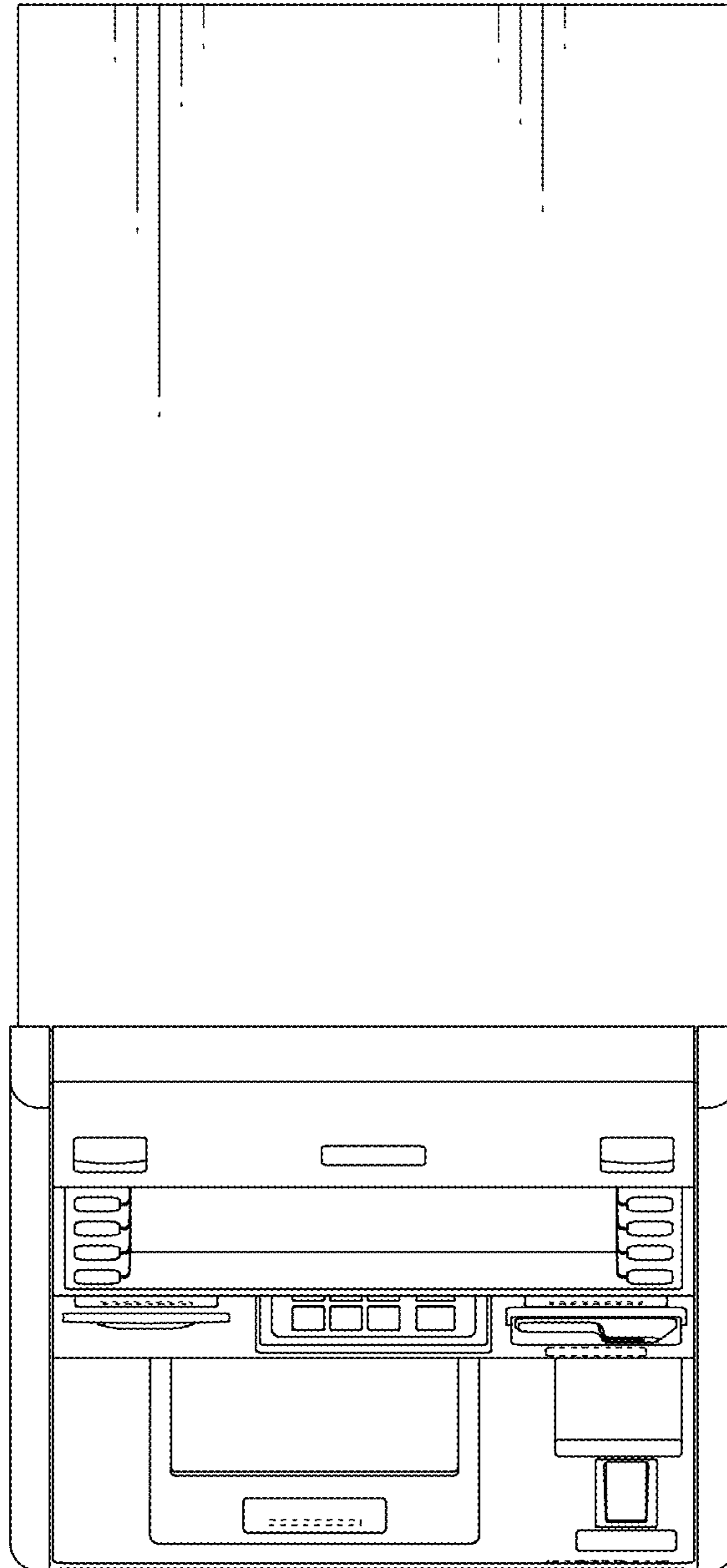


FIG. 6

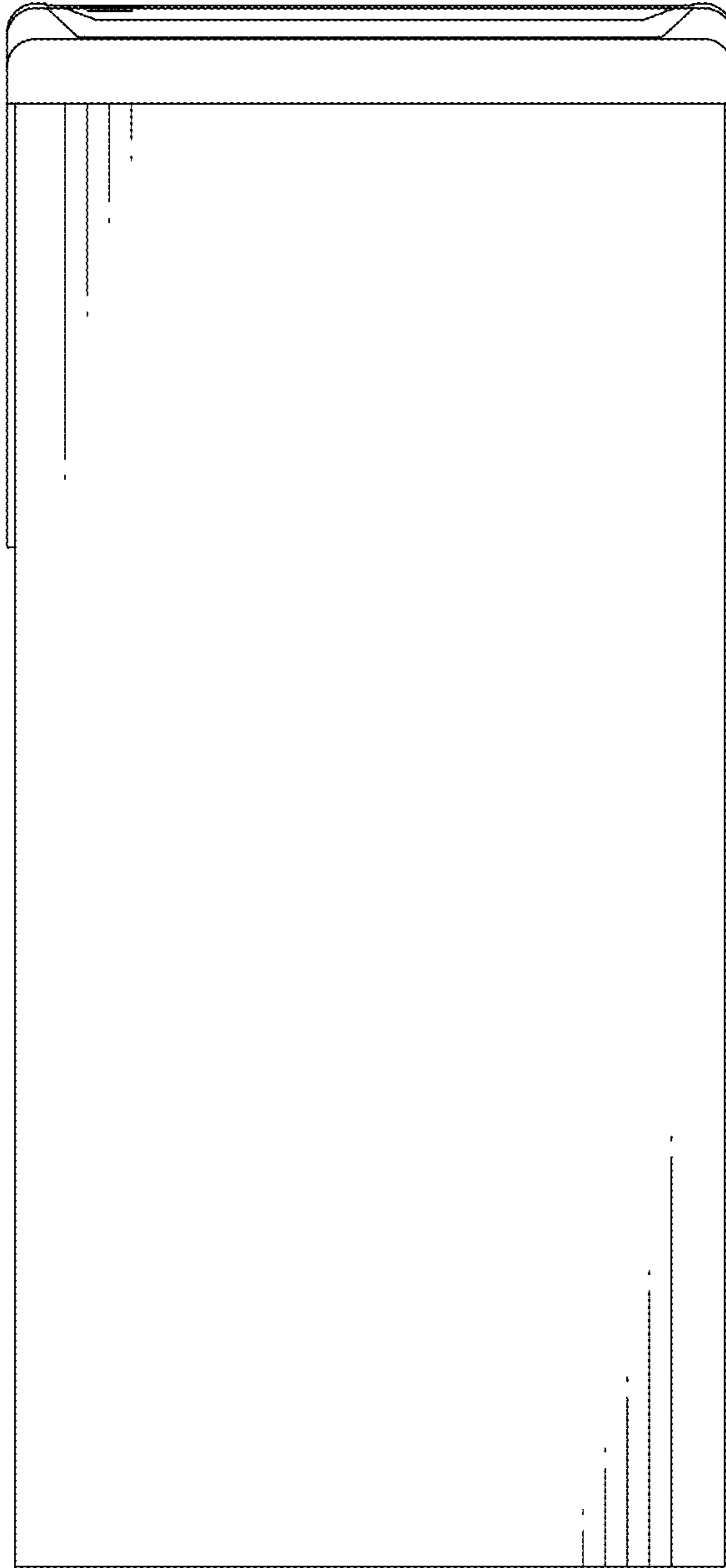


FIG. 7