

US00D826513S

(12) **United States Design Patent**
Ditty

(10) **Patent No.:** **US D826,513 S**

(45) **Date of Patent:** **** Aug. 21, 2018**

(54) **CROSS WITH INTERNAL LIGHTS AND APERTURES**

(71) Applicant: **Tanya Ditty**, Marietta, GA (US)

(72) Inventor: **Tanya Ditty**, Marietta, GA (US)

(**) Term: **15 Years**

(21) Appl. No.: **29/598,252**

(22) Filed: **Mar. 23, 2017**

(51) **LOC (11) Cl.** **11-02**

(52) **U.S. Cl.**

USPC **D99/27**

(58) **Field of Classification Search**

USPC D99/25, 27; D11/117, 121, 122, 124, D11/125, 130, 131, 132, 133, 157, 175, D11/96; D26/26, 51, 57, 94; 362/565, 362/566, 121, 249, 16, 249.17; 428/3, 7, 428/8, 9, 12

CPC A47G 33/00; A47G 33/008; A47G 33/02; A47G 33/08; A47G 2033/0827; A44C 23/00; A44C 25/005; A01G 5/04; F21W 2121/00; F21S 4/00; F21S 4/001; F21S 4/002; F21S 4/003; F21S 4/005; F21S 4/006; F21S 4/007; F21S 4/008

See application file for complete search history.

(56) **References Cited**

U.S. PATENT DOCUMENTS

D46,571 S *	10/1914	Mix	D11/81
1,507,195 A *	9/1924	Moore	G09F 13/00
				D11/81
1,980,708 A *	11/1934	Szel	G09F 13/00
				362/121
2,036,616 A	4/1936	Asch		
D103,027 S *	2/1937	Slattery	A47G 33/02
				362/121
2,080,317 A *	5/1937	Jaeckel	A44C 17/02
				D11/144

2,519,819 A *	8/1950	Brennan	A44C 17/02
				428/3
D213,449 S *	3/1969	Schuette	A47G 33/02
				206/19
3,811,909 A *	5/1974	Bertsch	B44C 1/227
				D99/27
D299,779 S *	2/1989	Kohen	D11/96
D300,079 S *	2/1989	Smith	B44C 1/227
				216/100
D370,282 S	5/1996	Grether		
D385,672 S *	10/1997	Noris	D11/96
D398,408 S	9/1998	Lin		
5,867,903 A *	2/1999	Loughlin	A44C 25/005
				D6/674

(Continued)

Primary Examiner — Elizabeth J Oswecki

(74) *Attorney, Agent, or Firm* — Crose Law LLC;
Bradley D. Crose

(57) **CLAIM**

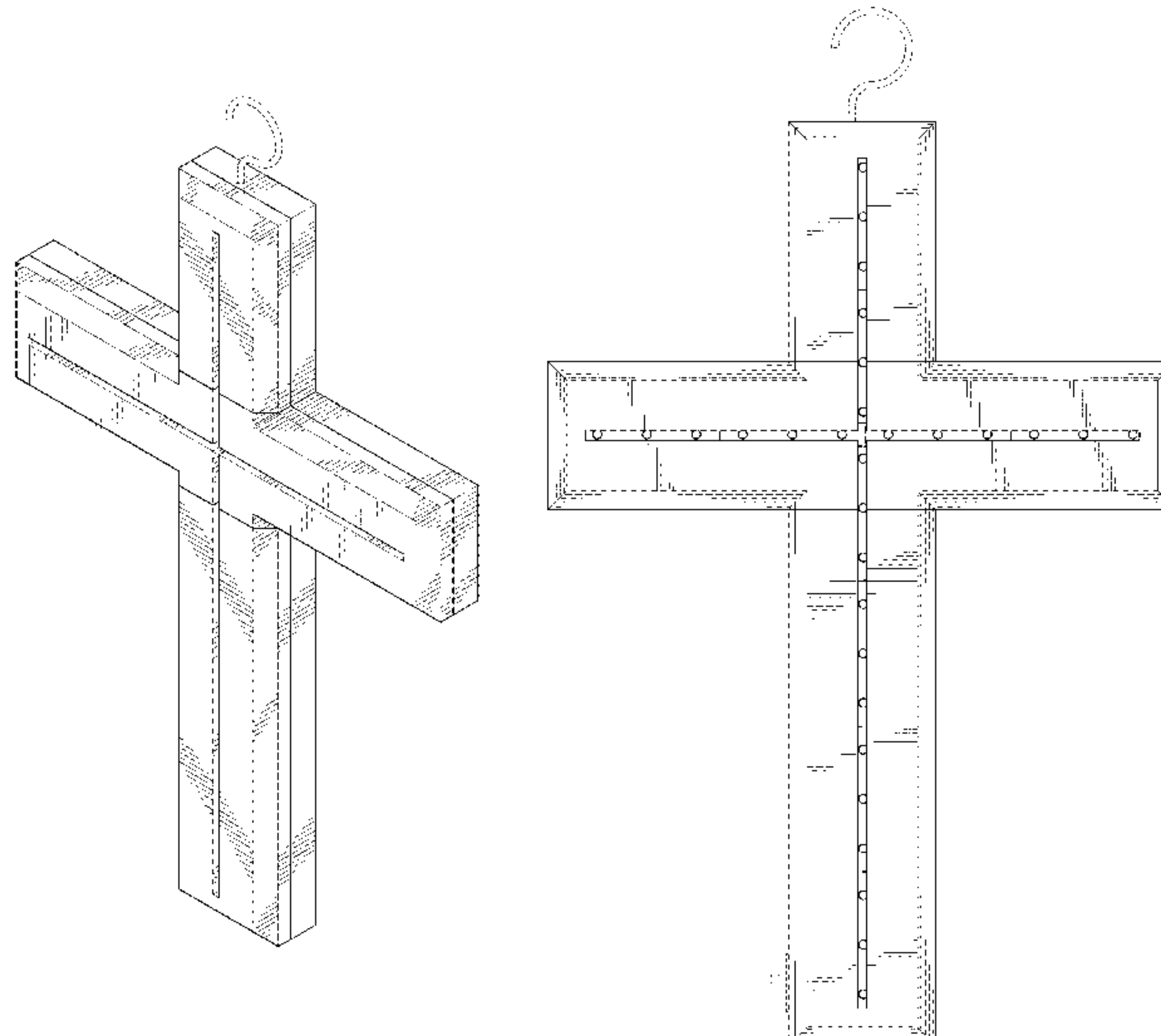
The ornamental design for a cross with internal lights and apertures, as shown and described.

DESCRIPTION

FIG. 1 is a front perspective view of a cross with internal lights and apertures, showing my new design;
FIG. 2 is a front elevation view thereof;
FIG. 3 is a rear elevation view thereof;
FIG. 4 is a right side elevation view thereof;
FIG. 5 is a left side elevation view thereof;
FIG. 6 is a top plan view thereof;
FIG. 7 is a bottom plan view thereof;
FIG. 8 is an exploded front perspective view thereof; and,
FIG. 9 is a front perspective view thereof, shown in a used condition mounted on a board with a plug shown in broken lines.

The broken lines shown in the drawings are included for the purpose of illustrating environmental structure and form no part of the claimed design.

1 Claim, 7 Drawing Sheets



(56)

References Cited

U.S. PATENT DOCUMENTS

D429,351 S * 8/2000 Grether A44C 25/005
29/896.41
D431,206 S * 9/2000 Byers D11/125
D435,712 S * 12/2000 Knudsen D99/27
D505,529 S * 5/2005 Mitchell D99/27
D508,580 S 8/2005 Norris
D511,711 S * 11/2005 Steshik D11/96
D564,682 S 3/2008 Voss
D601,921 S 10/2009 Caruso
D638,605 S * 5/2011 Schmitcke D99/18
D639,701 S 6/2011 Ditty
D653,160 S * 1/2012 Ford D11/149
D686,385 S * 7/2013 Letney D99/27
D688,594 S * 8/2013 Dunn D11/184
D696,813 S * 12/2013 Odisho D26/125
D706,515 S * 6/2014 Zabarsky D99/25
D715,514 S * 10/2014 Voss D99/27
D751,455 S * 3/2016 Bogetti D11/96
D751,790 S * 3/2016 Voss D99/27
D766,772 S * 9/2016 Letney D11/96
D768,414 S * 10/2016 Kroll D20/29
D785,849 S * 5/2017 Sites D26/94
D802,469 S * 11/2017 Letney D11/96
D809,697 S * 2/2018 So D26/74
D810,388 S * 2/2018 Podgurny D99/27

* cited by examiner

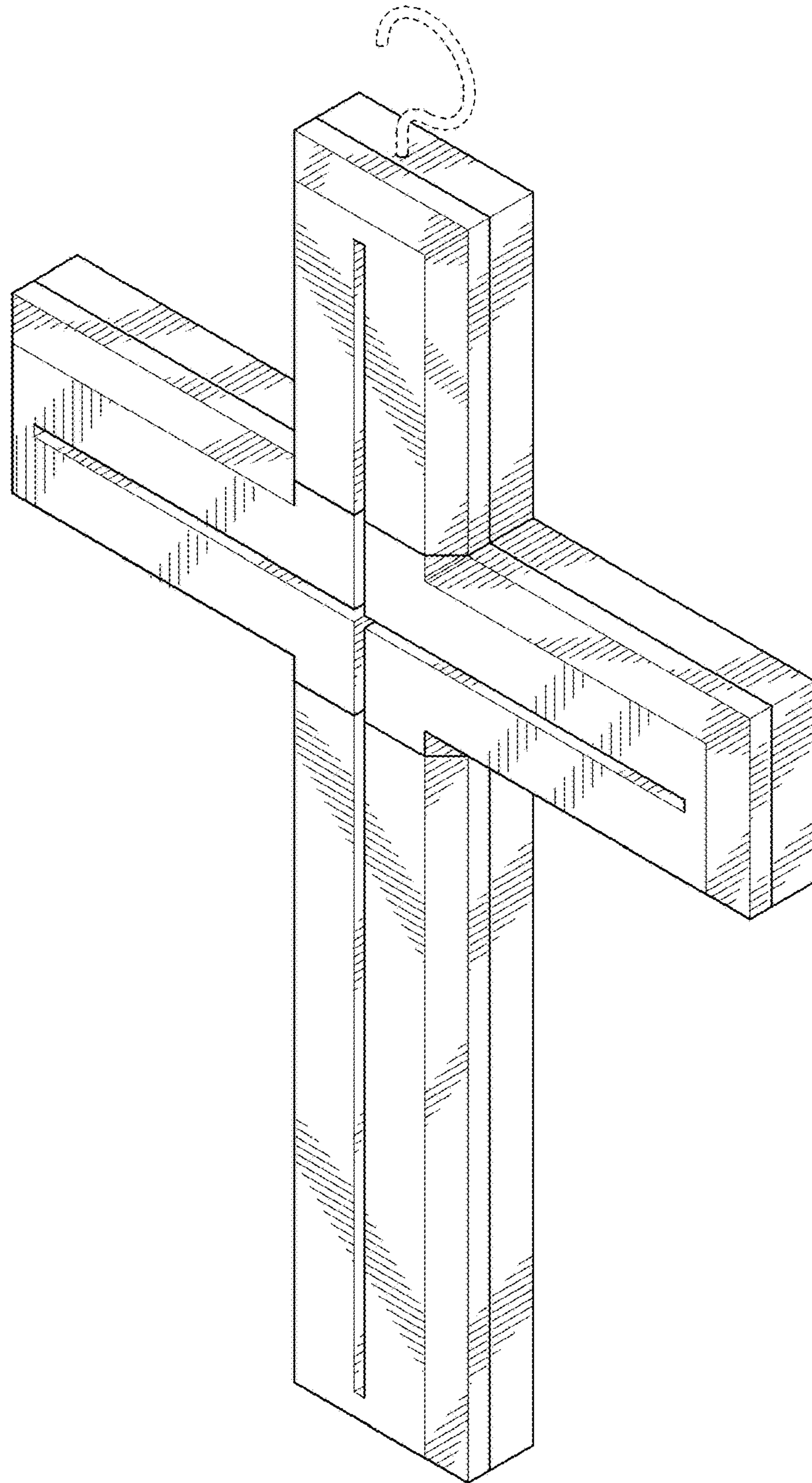


FIG. 1

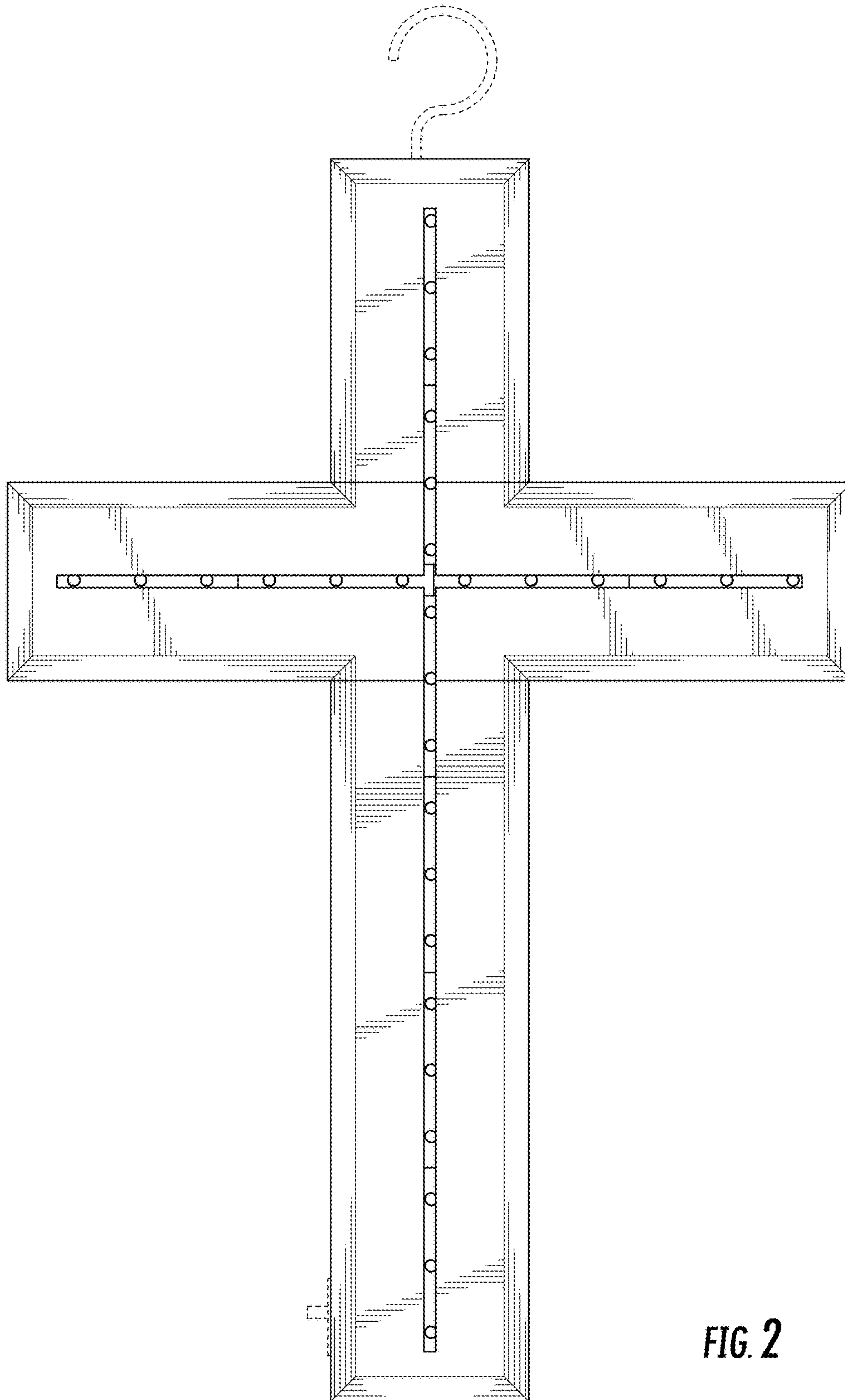


FIG. 2

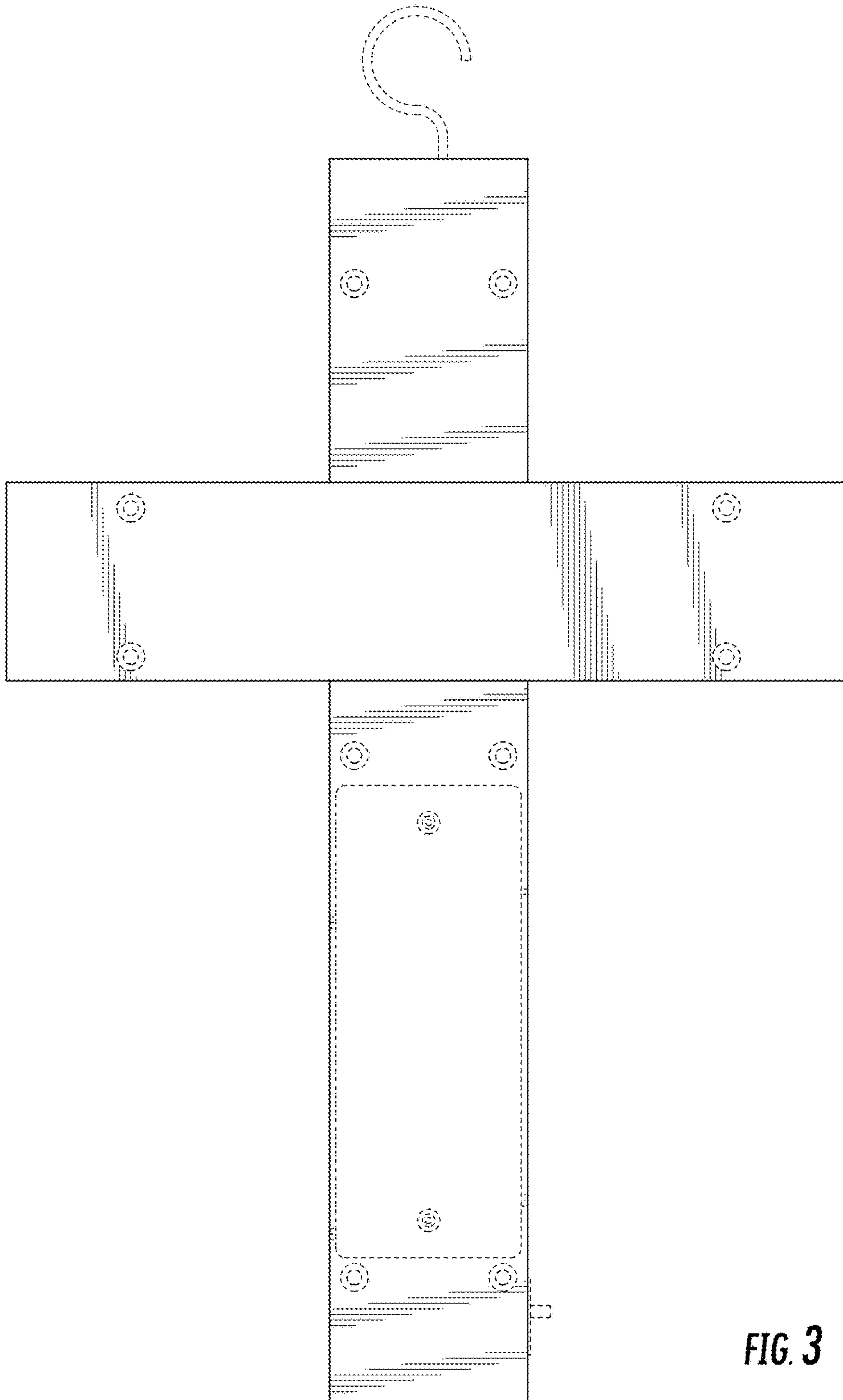


FIG. 3

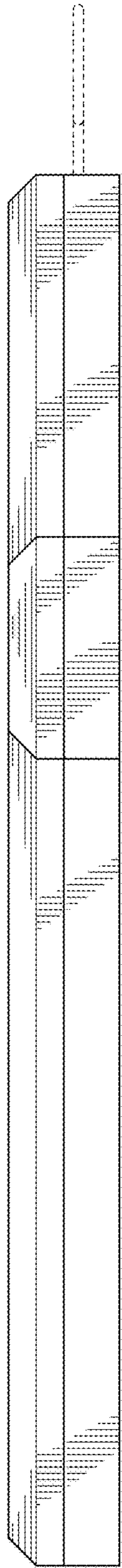


FIG. 4

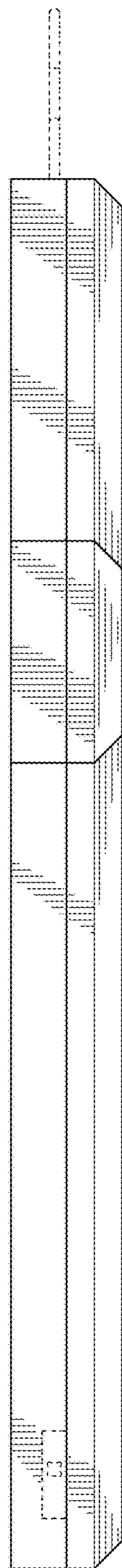


FIG. 5

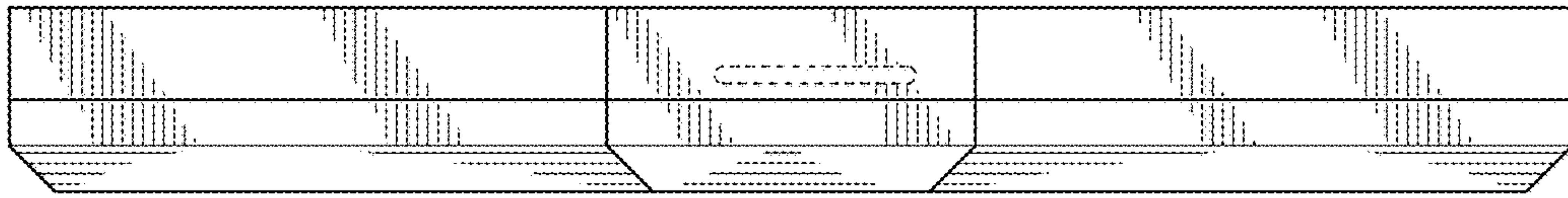


FIG. 6

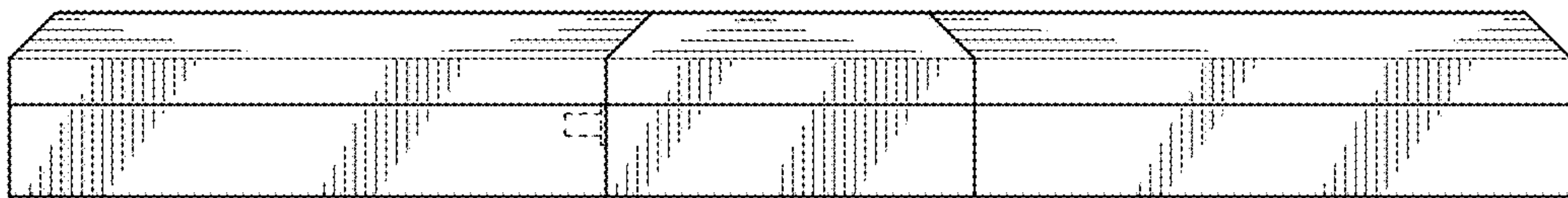


FIG. 7

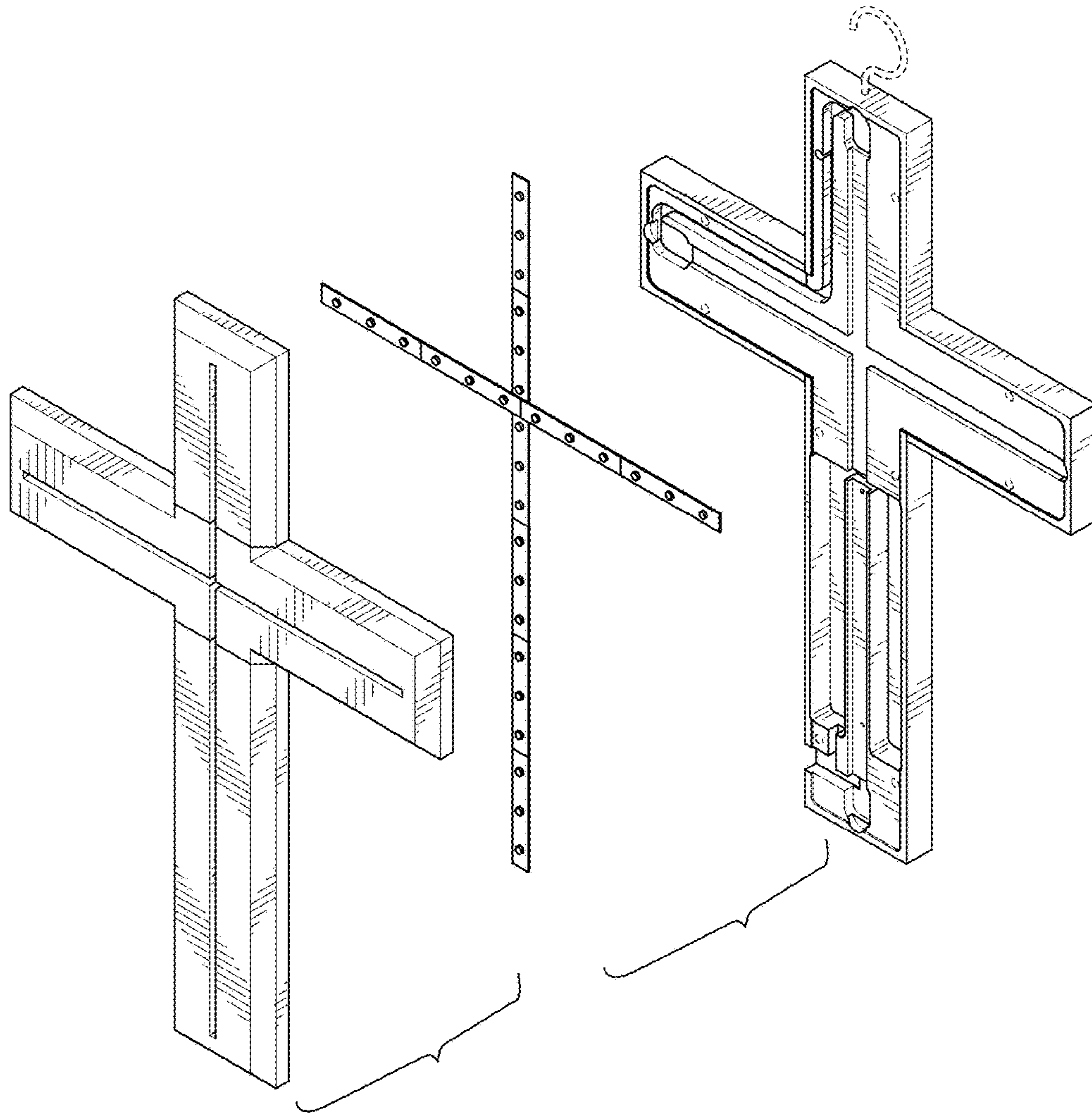


FIG. 8

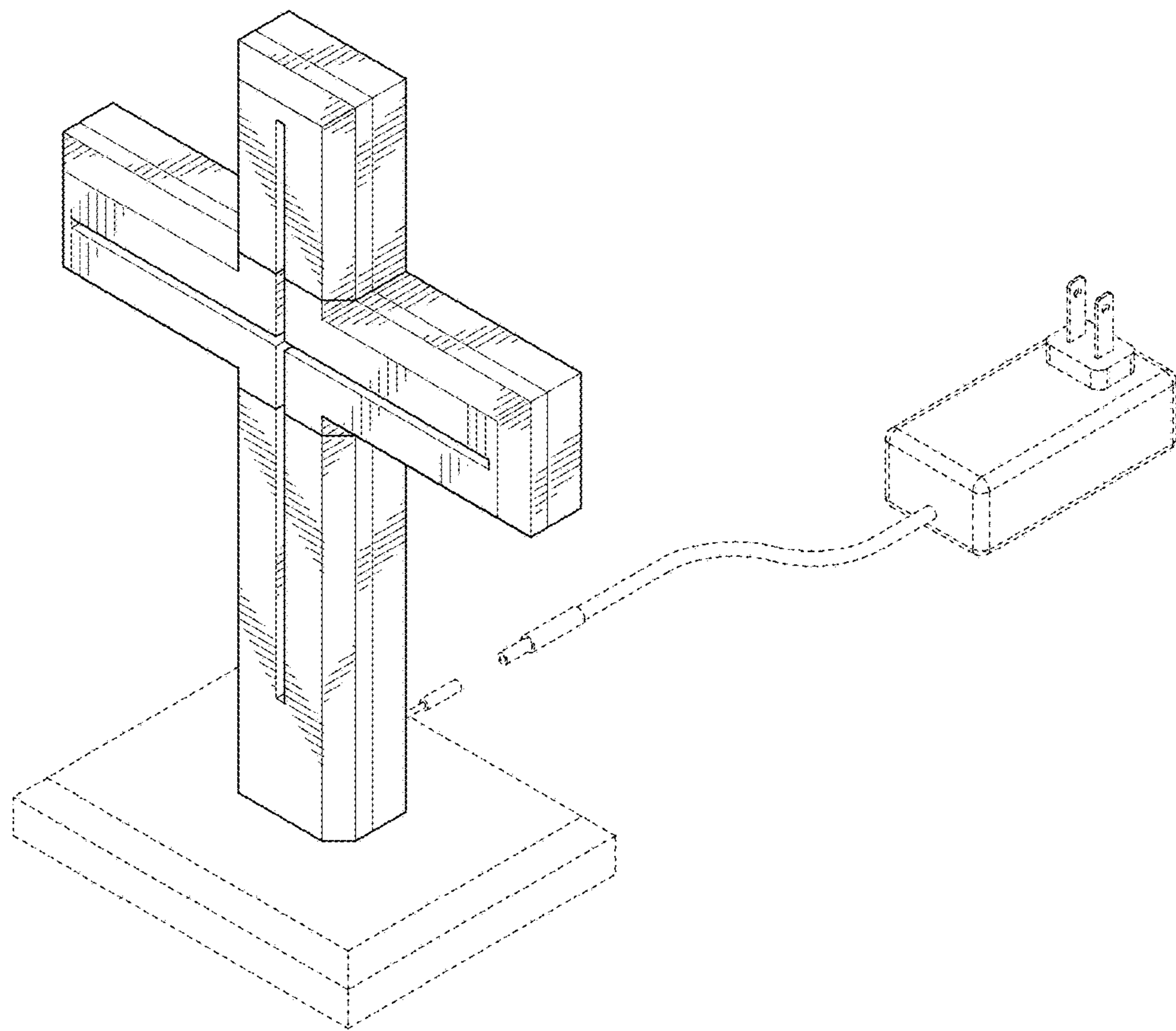


FIG. 9