



US00D826512S

(12) **United States Design Patent**
Ching

(10) **Patent No.:** **US D826,512 S**

(45) **Date of Patent:** **** Aug. 21, 2018**

(54) **DRUM**

(71) Applicant: **Mach IV Pty Ltd**, Sydney, New South
Wales (AU)

(72) Inventor: **Alfred Ching**, Redfern (AU)

(73) Assignee: **MACH IV PTY LTD**, Sydney (AU)

(**) Term: **15 Years**

(21) Appl. No.: **29/587,891**

(22) Filed: **Dec. 15, 2016**

(30) **Foreign Application Priority Data**

Jul. 25, 2016 (AU) 201614011

(51) **LOC (11) Cl.** **09-02**

(52) **U.S. Cl.**
USPC **D34/39; D32/53**

(58) **Field of Classification Search**
USPC D34/39
CPC B65D 88/08; B65D 88/26; B65D 90/00;
B65D 90/06; B65D 1/20; B65D 1/12;
B65D 1/16; B65D 1/40; B65D 39/084;
B65D 39/088

See application file for complete search history.

(56) **References Cited**

U.S. PATENT DOCUMENTS

D218,636 S * 9/1970 Mangold D34/7
D305,259 S * 12/1989 Granberg D23/205
D570,064 S * 5/2008 Ruckman D34/1

D643,171 S * 8/2011 Morad D34/1
D676,622 S * 2/2013 Thurmond D34/1
D732,262 S * 6/2015 Pellham D34/39
D799,146 S * 10/2017 Fuller D34/39
D804,469 S * 12/2017 Lee D14/341
D805,352 S * 12/2017 Thuma D7/523

OTHER PUBLICATIONS

AMPI Plastics Product Catalogue—Open Head Containers, down-
loaded from [http://ampiplastics.com.au/products_files/
products_openheadcont.html](http://ampiplastics.com.au/products_files/products_openheadcont.html) on Jun. 18, 2017.

* cited by examiner

Primary Examiner — Cynthia Ramirez

(74) *Attorney, Agent, or Firm* — Thomas M. Joseph

(57) **CLAIM**

The ornamental design for a drum, as shown and described.

DESCRIPTION

FIG. 1 is a perspective view of a drum showing my new design.

FIG. 2 is a right side view thereof;

FIG. 3 is a left side view thereof;

FIG. 4 is a rear view thereof;

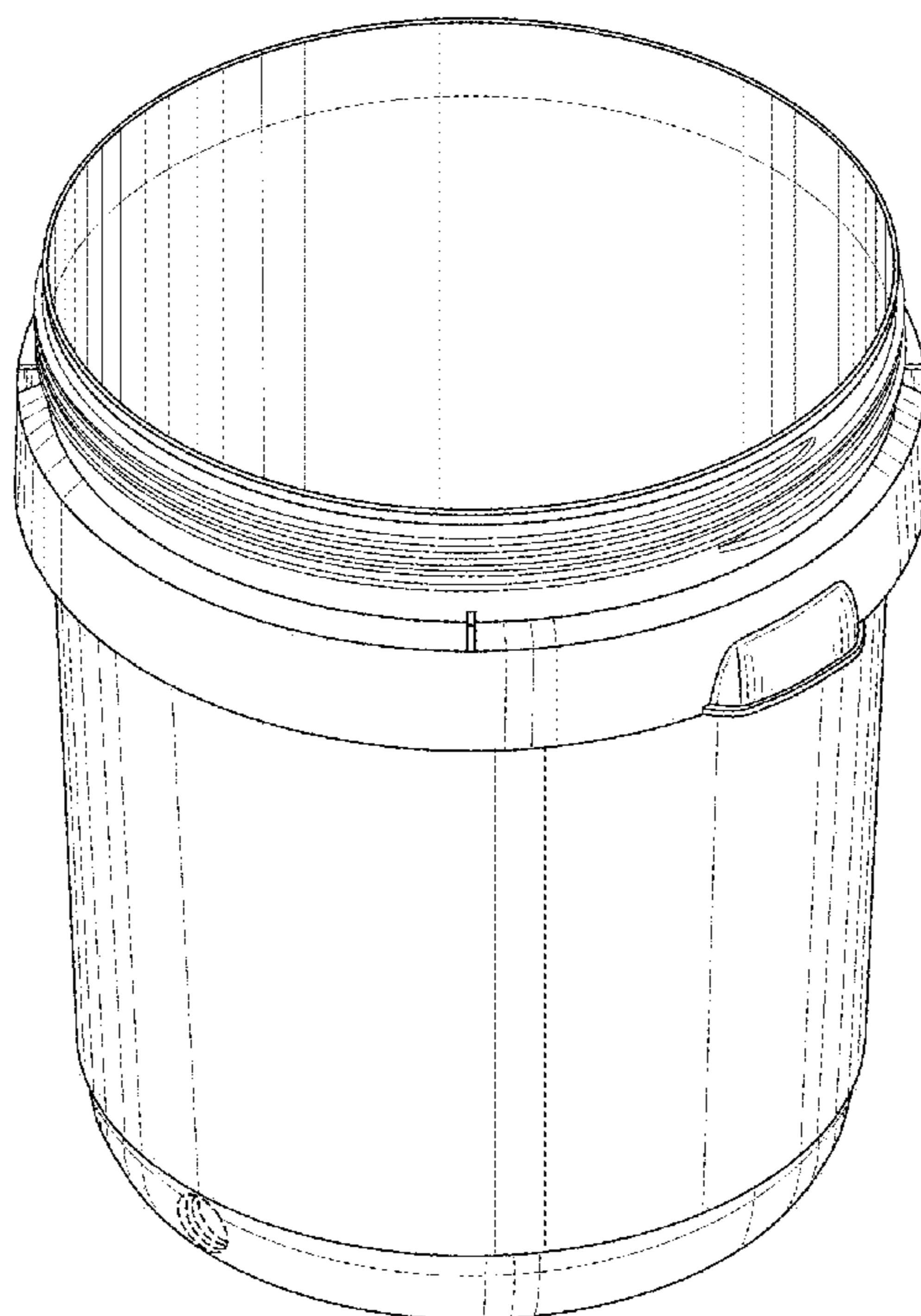
FIG. 5 is a front view thereof;

FIG. 6 is a top view thereof; and,

FIG. 7 is a bottom view thereof.

The broken lines in the figures are for the purpose of illustrating portions of the drum that form no part of the claimed design.

1 Claim, 7 Drawing Sheets



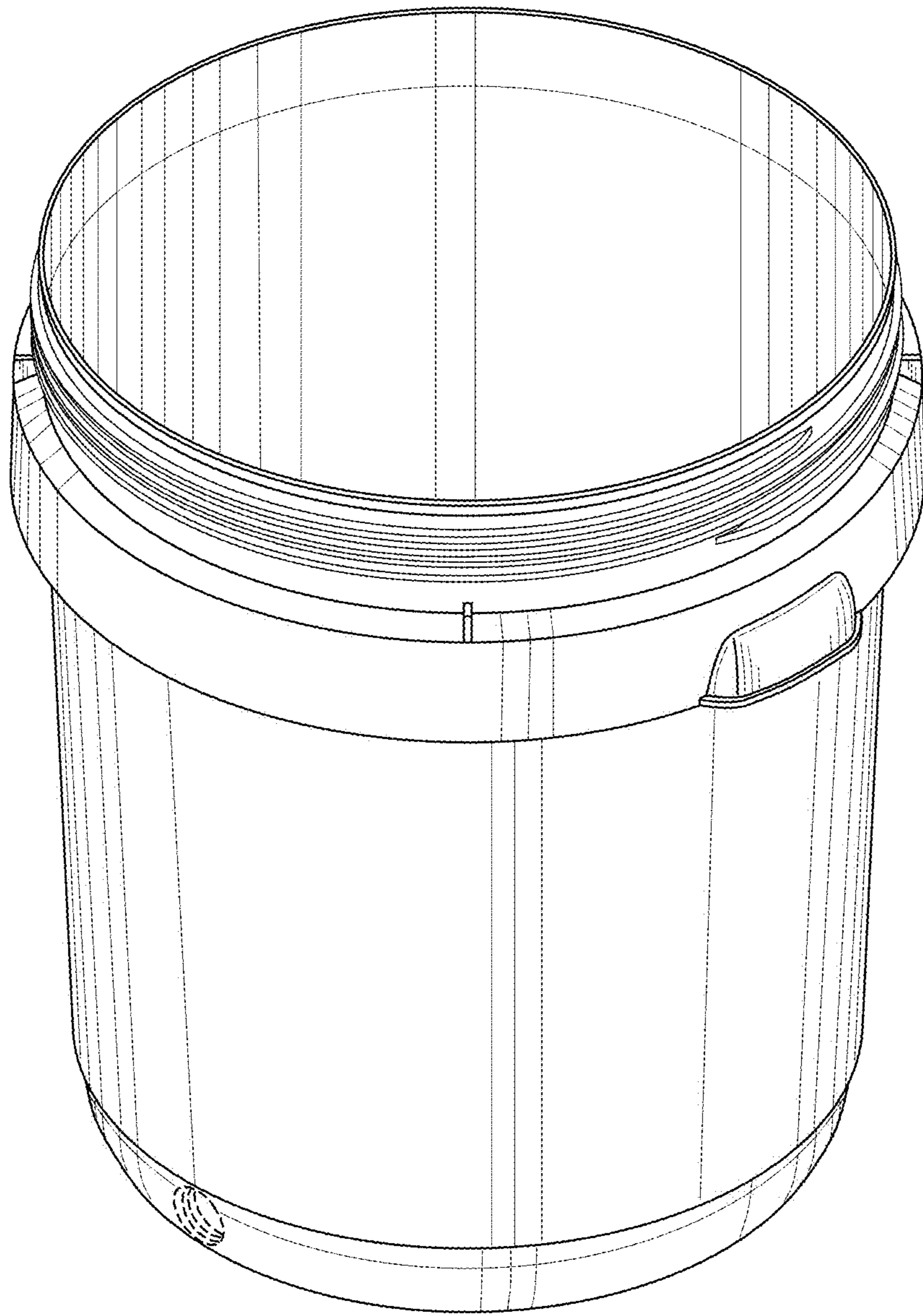


FIG. 1

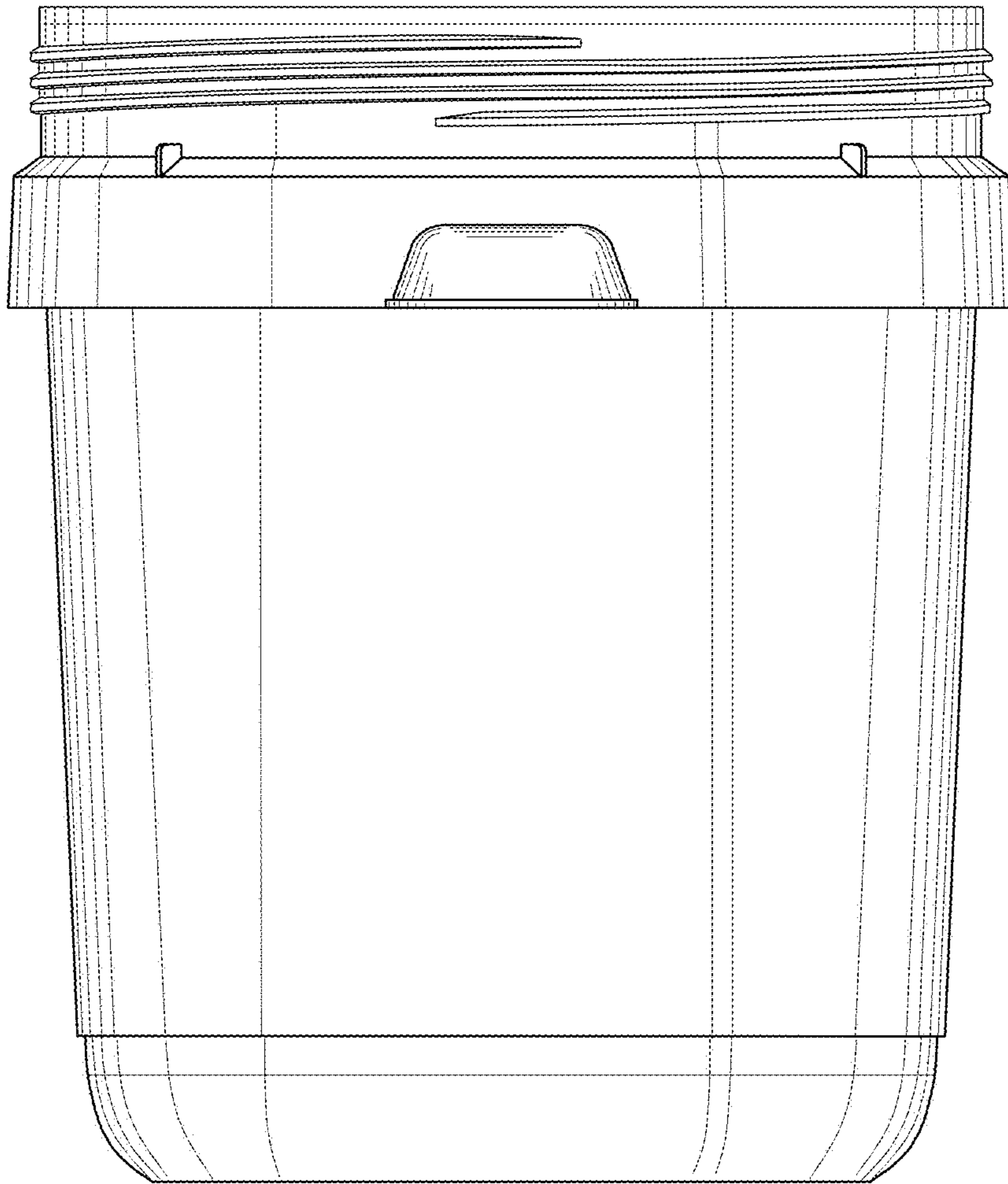


FIG. 2

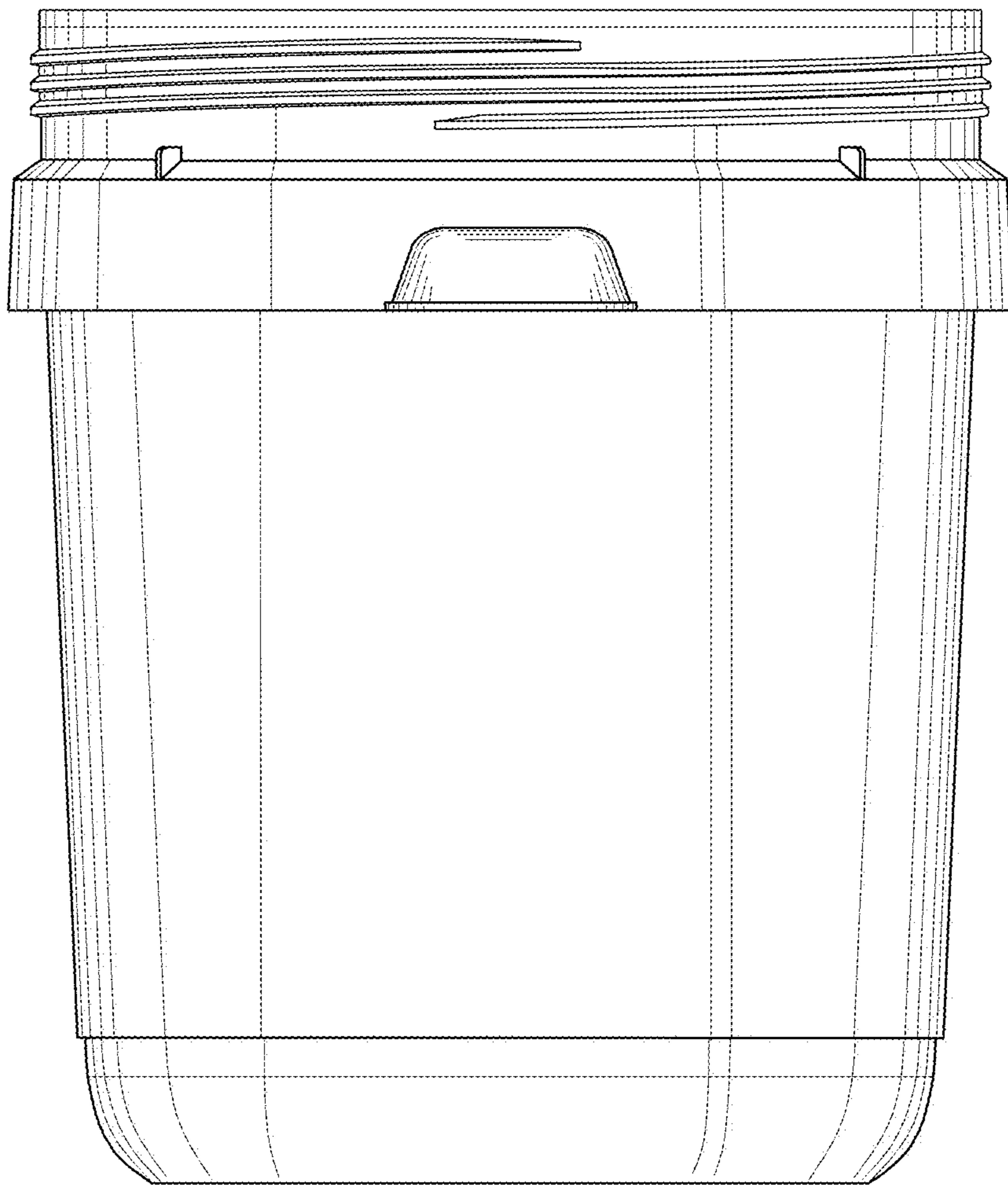


FIG. 3

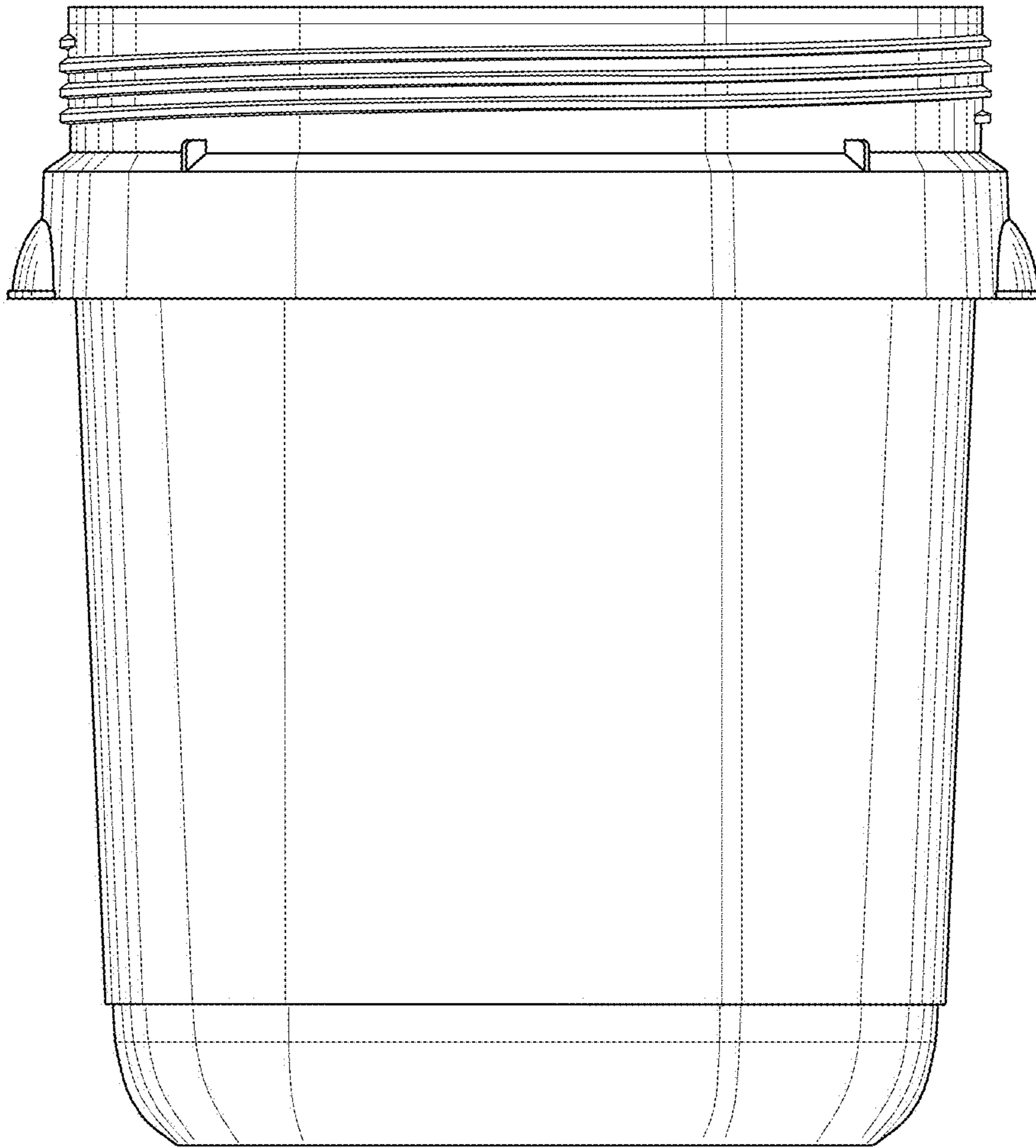


FIG. 4

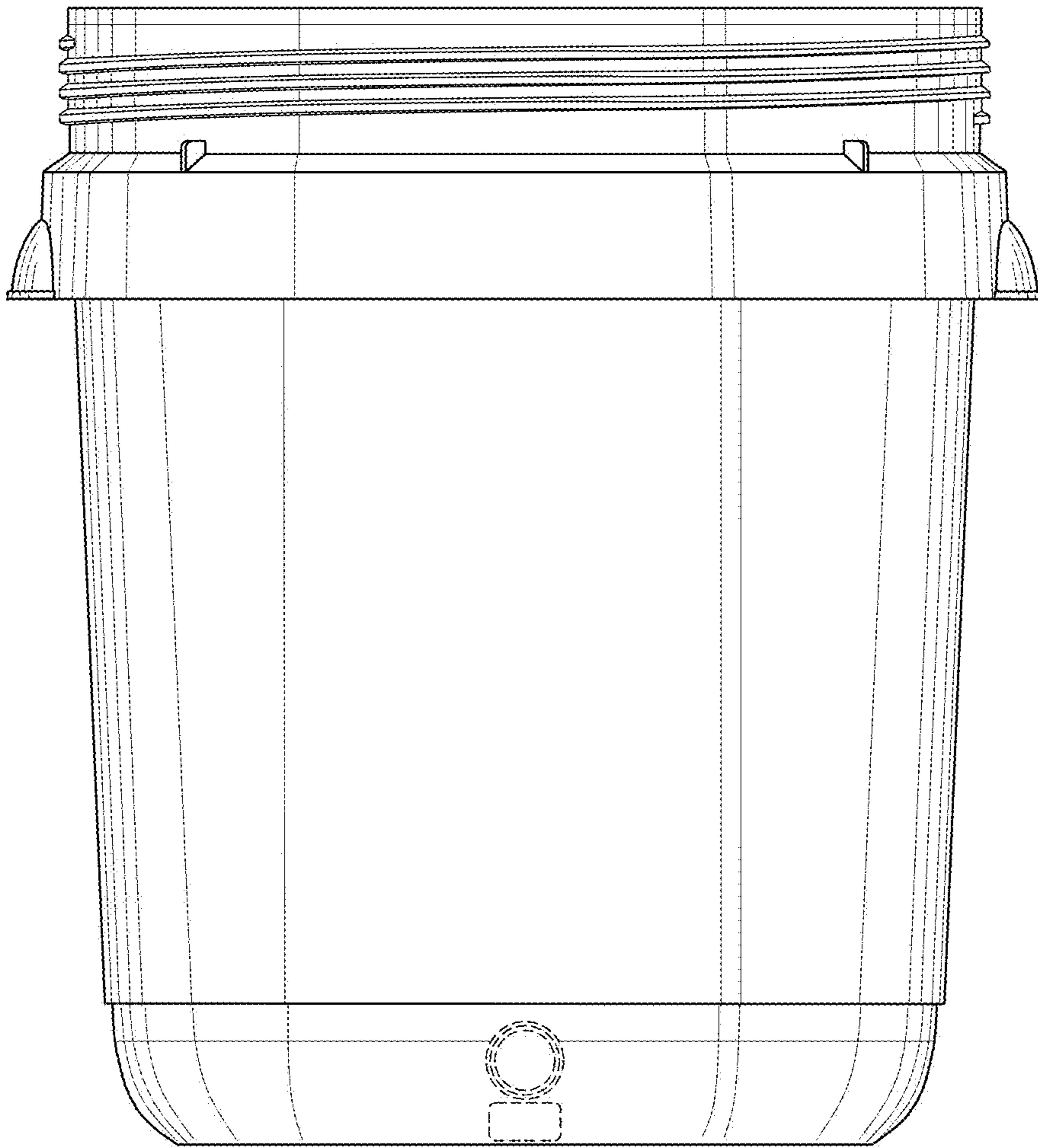


FIG. 5

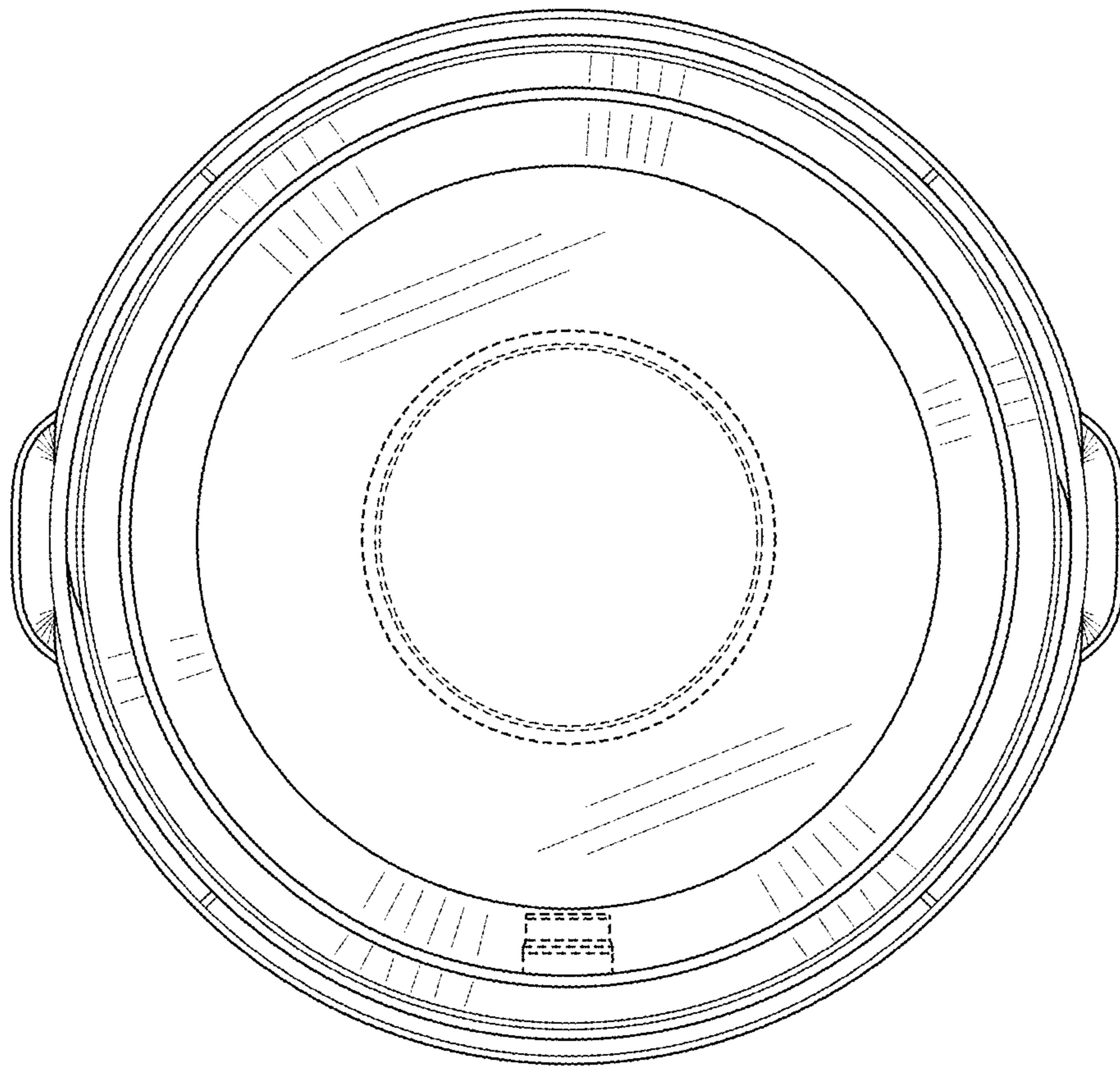


FIG. 6

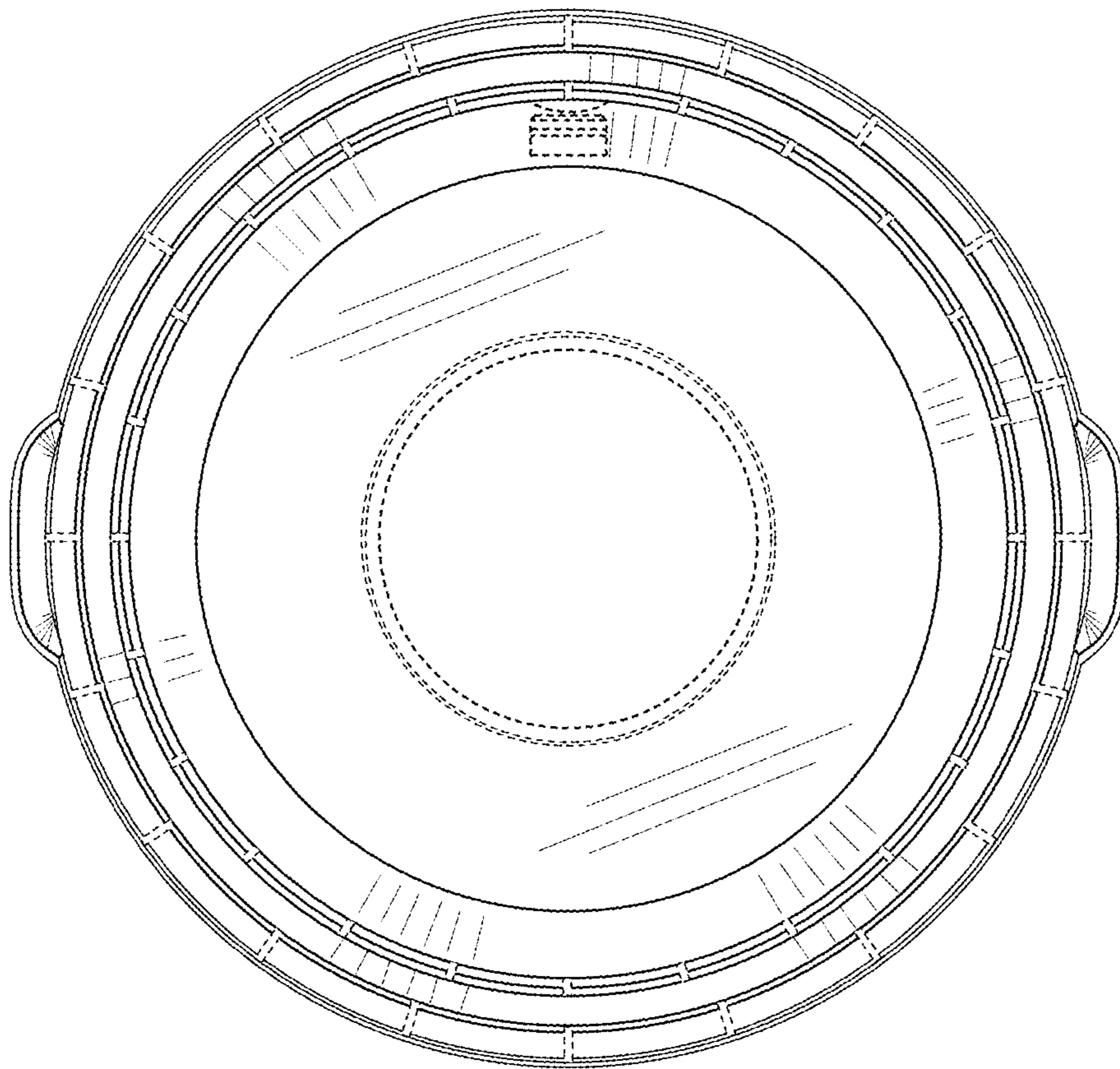


FIG. 7