



US00D826511S

(12) **United States Design Patent** (10) **Patent No.:** **US D826,511 S**  
**Ching** (45) **Date of Patent:** **\*\* Aug. 21, 2018**

(54) **DRUM LID**  
(71) Applicant: **Mach IV Pty Ltd**, Sydney, New South Wales (AU)  
(72) Inventor: **Alfred Ching**, Redfern (AU)  
(73) Assignee: **MACH IV PTY LTD**, Sydney (AU)  
(\*\*) Term: **15 Years**  
(21) Appl. No.: **29/587,887**

D526,758 S \* 8/2006 Baughman ..... D34/39  
D533,329 S \* 12/2006 Baughman ..... D34/39  
D539,005 S \* 3/2007 Baughman ..... D34/39  
D581,211 S \* 11/2008 Lapsker ..... D7/396.2  
D617,191 S \* 6/2010 Stull ..... D9/452  
D618,099 S \* 6/2010 Biesecker ..... D9/452  
D679,595 S \* 4/2013 Stull, Sr. .... D9/452  
8,777,032 B2 \* 7/2014 Biesecker ..... B65D 43/0212  
215/224  
9,578,765 B2 \* 2/2017 Jackson ..... H05K 5/0239  
D807,745 S \* 1/2018 Ross ..... D9/449  
2014/0183193 A1 \* 7/2014 Hammond ..... B65F 1/002  
220/87.2

(22) Filed: **Dec. 15, 2016**

**OTHER PUBLICATIONS**

(30) **Foreign Application Priority Data**

AMPI Plastics Product Catalogue—Open Head Containers, downloaded from [http://ampiplastics.com.au/products\\_files/products\\_openheadcont.html](http://ampiplastics.com.au/products_files/products_openheadcont.html) on Jun. 18, 2017.

Jul. 25, 2016 (AU) ..... 201614012

(51) **LOC (11) Cl.** ..... **09-02**

\* cited by examiner

(52) **U.S. Cl.**  
USPC ..... **D34/39**; D34/11; D9/435

*Primary Examiner* — Cynthia Ramirez

(58) **Field of Classification Search**  
USPC ..... D34/39, 7; D9/434, 435, 449, 436, 499;  
D7/316, 396.2, 397  
CPC ..... A47G 19/2272; B65D 43/0204  
See application file for complete search history.

(74) *Attorney, Agent, or Firm* — Thomas M. Joseph

(57) **CLAIM**

(56) **References Cited**

The ornamental design for a drum lid, as shown and described.

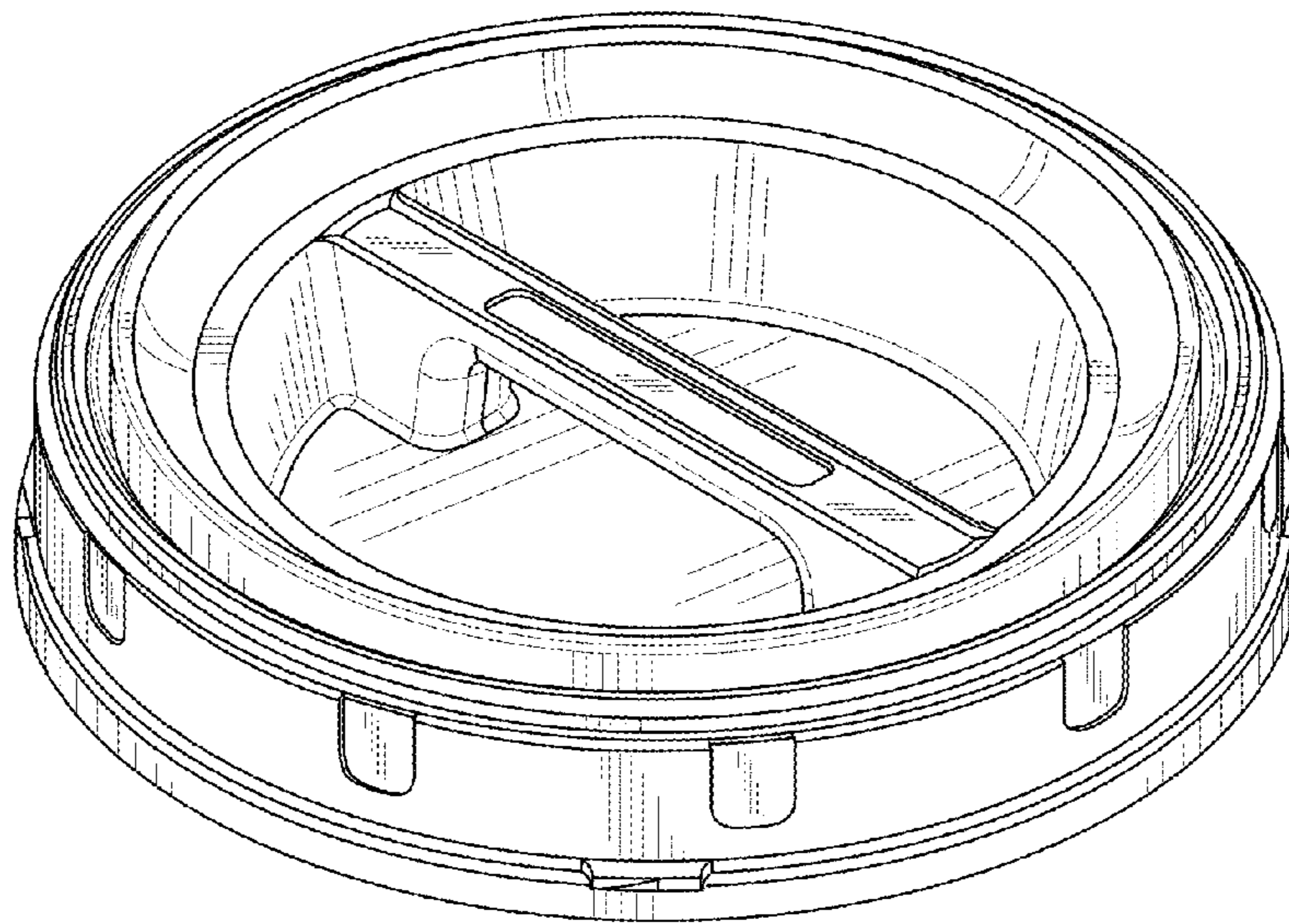
**U.S. PATENT DOCUMENTS**

**DESCRIPTION**

2,032,931 A \* 3/1936 Gibbs ..... B65D 51/1661  
215/260  
4,739,890 A \* 4/1988 Cooke ..... B65D 50/045  
215/217  
D319,982 S \* 9/1991 Matthews ..... D34/39  
D327,849 S \* 7/1992 Armstrong ..... D9/435  
D333,065 S \* 2/1993 Murphy ..... D7/391  
D355,511 S \* 2/1995 Cassel ..... D34/1  
D394,184 S \* 5/1998 Demore ..... D7/391  
D395,118 S \* 6/1998 Cramer ..... D17/22  
D426,044 S \* 5/2000 Cramer ..... D34/39  
D458,001 S \* 5/2002 Shah ..... D34/11

FIG. 1 illustrates a top perspective view of a drum lid showing my new design.  
FIG. 2 illustrates a bottom perspective view thereof.  
FIG. 3 illustrates a top view thereof.  
FIG. 4 illustrates a bottom view thereof.  
FIG. 5 illustrates a front view thereof.  
FIG. 6 illustrates a rear view thereof.  
FIG. 7 illustrates a left side view thereof; and,  
FIG. 8 illustrates a right side thereof.

**1 Claim, 4 Drawing Sheets**



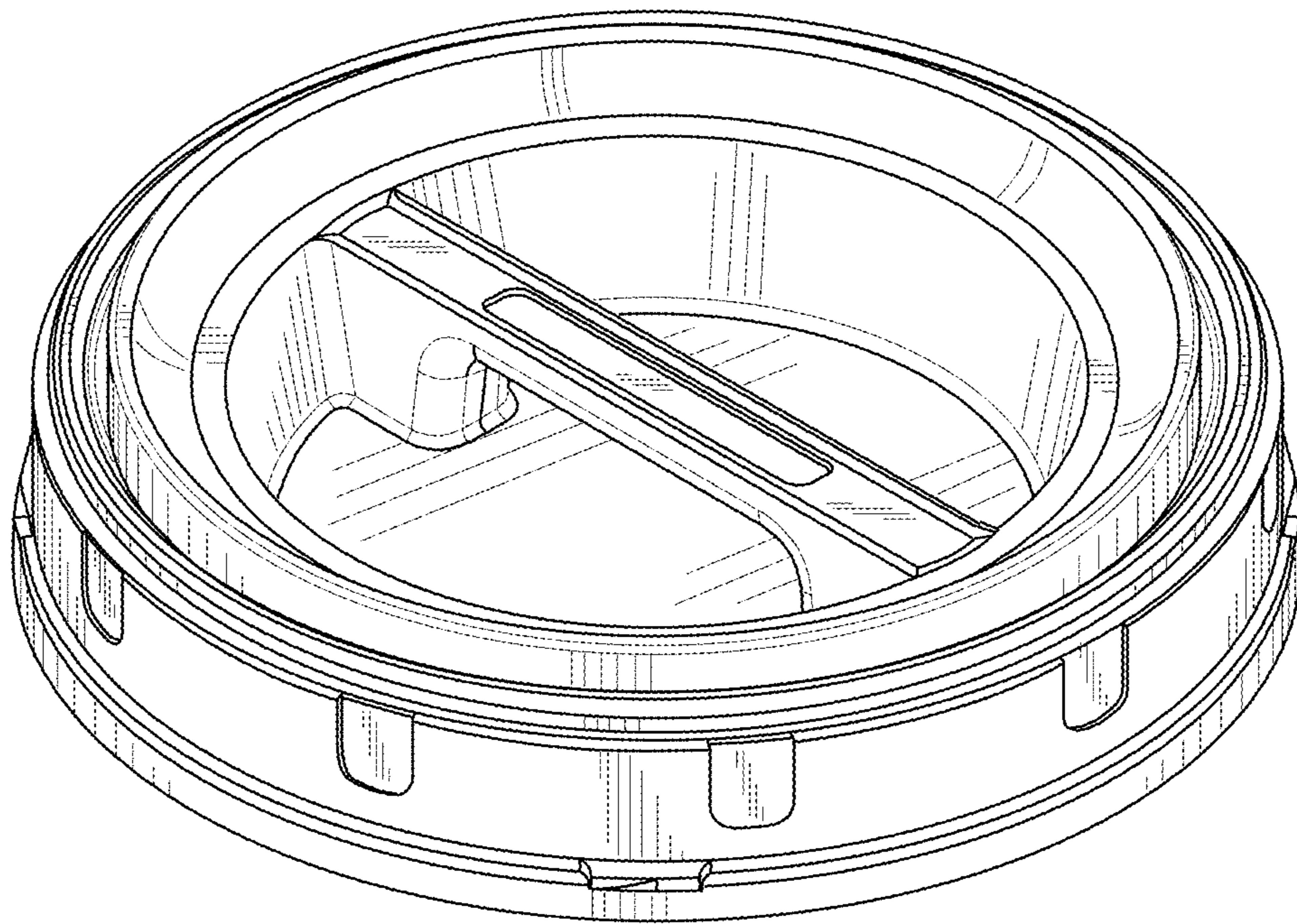


FIG. 1

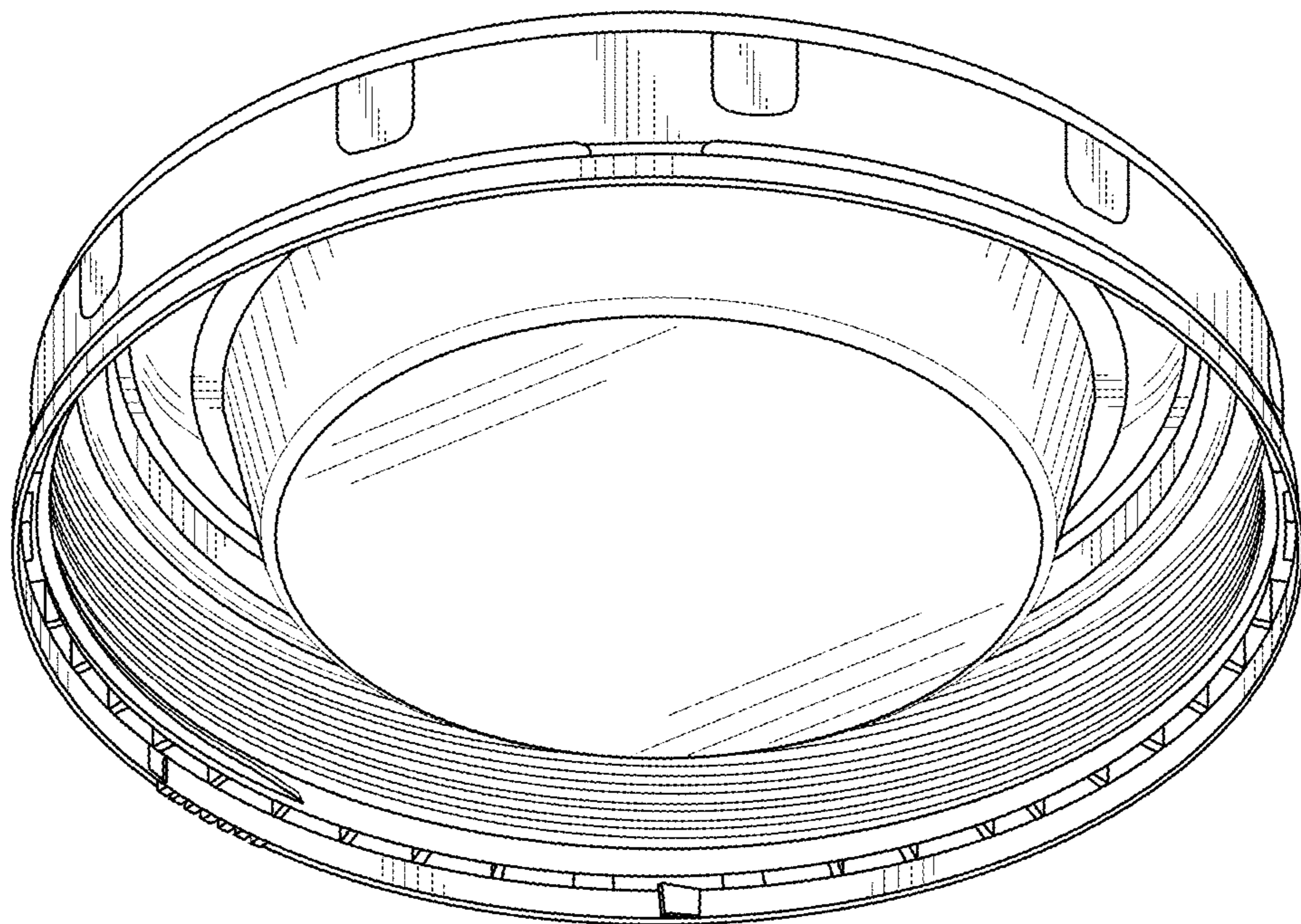


FIG. 2

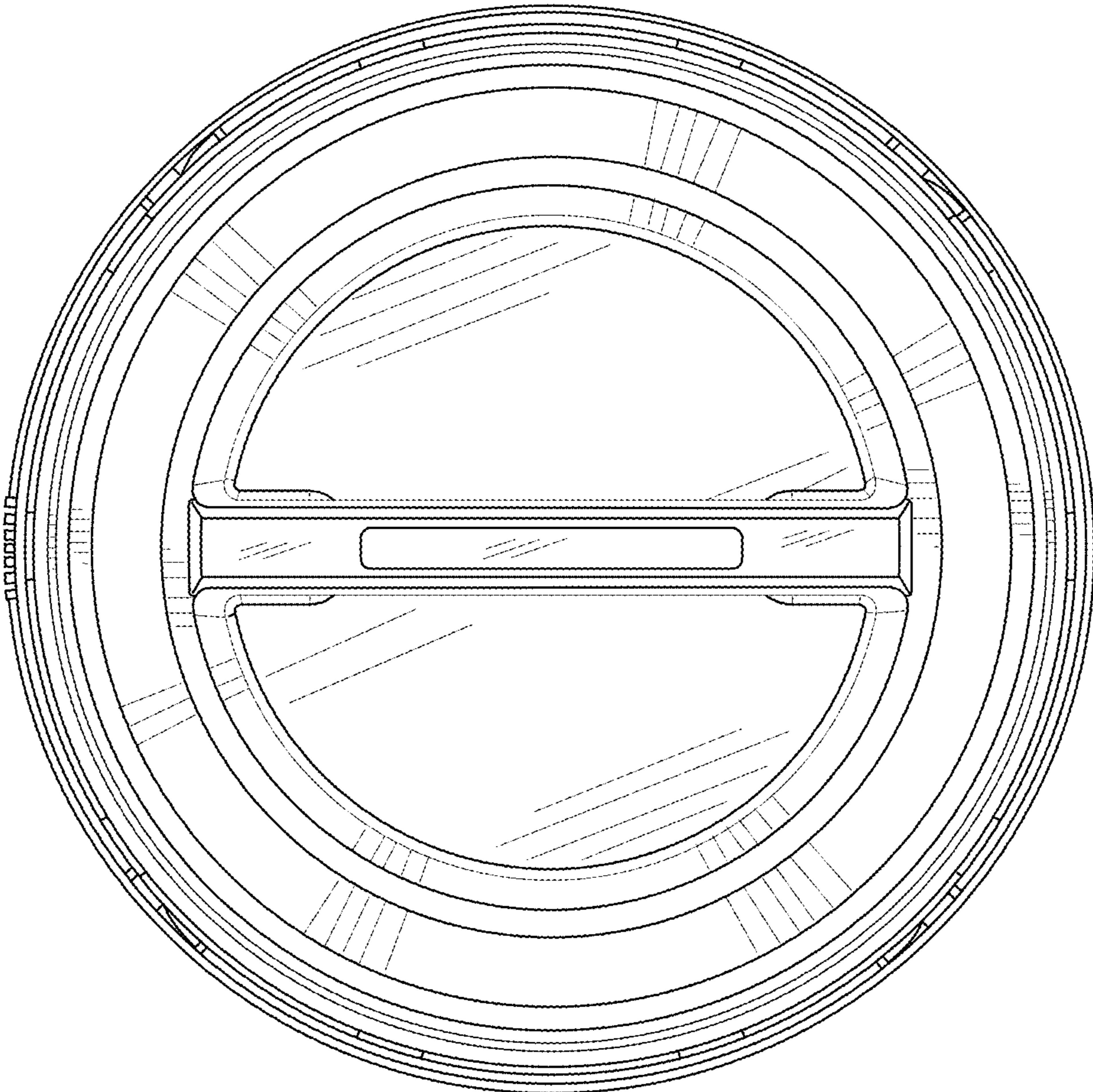


FIG. 3

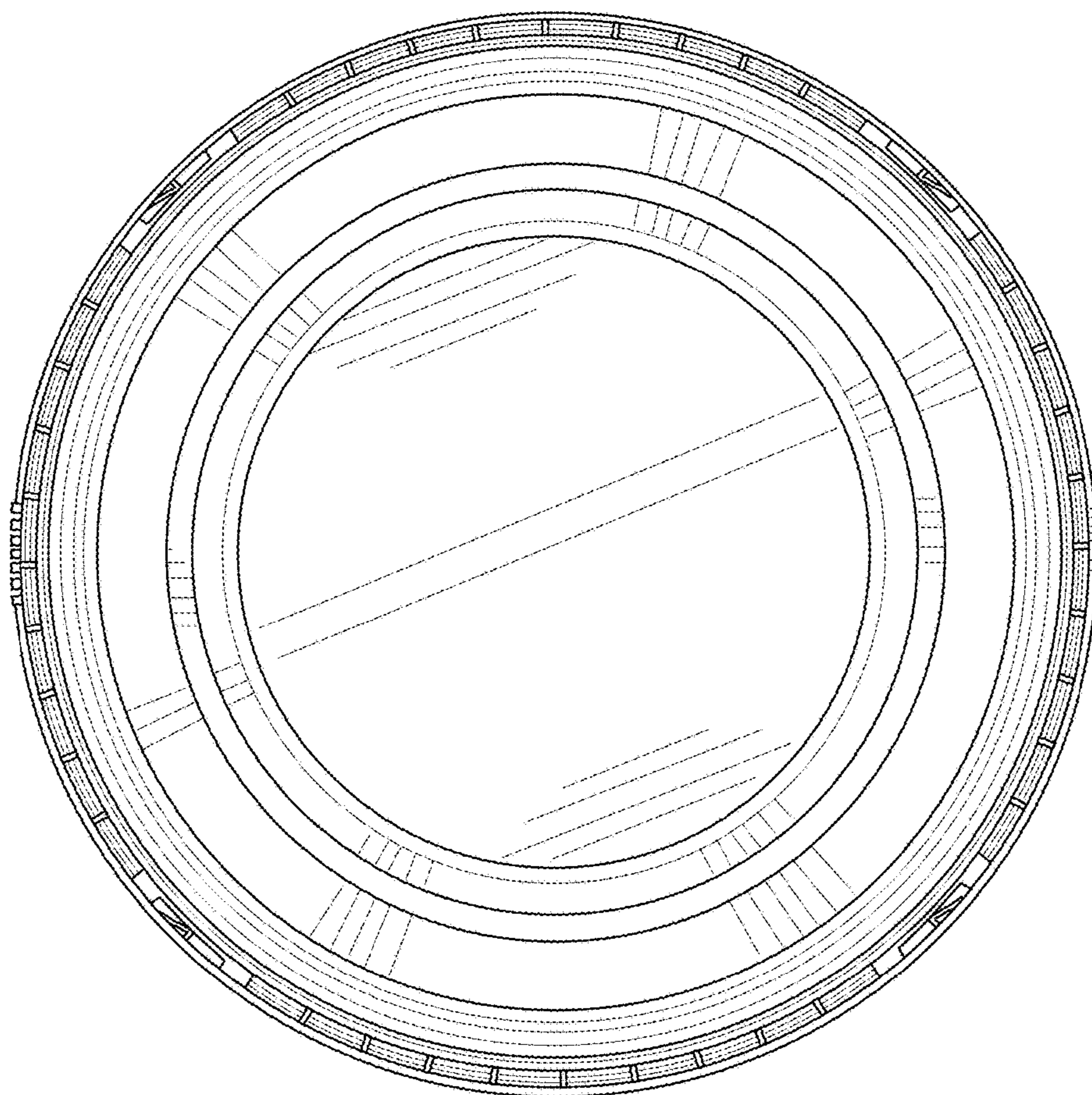


FIG. 4

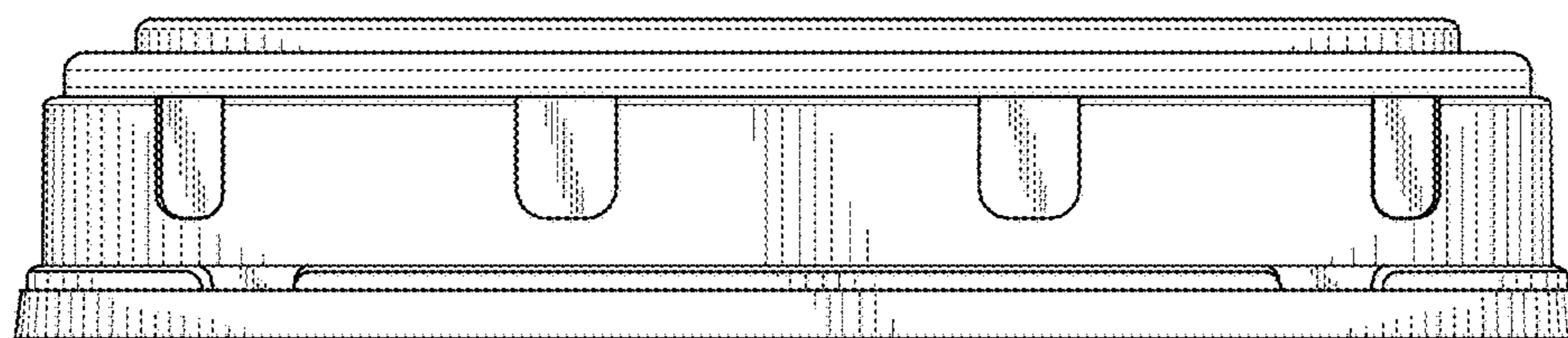


FIG. 5

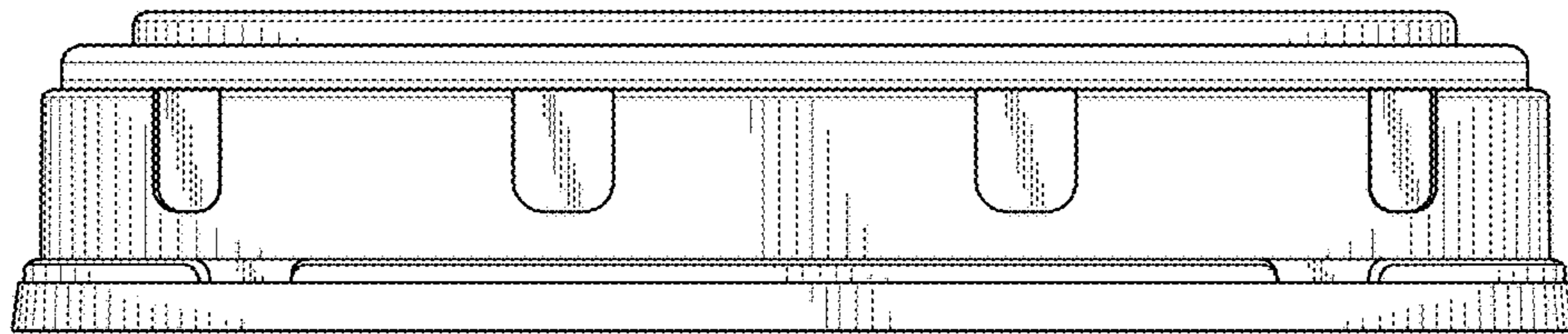


FIG. 6

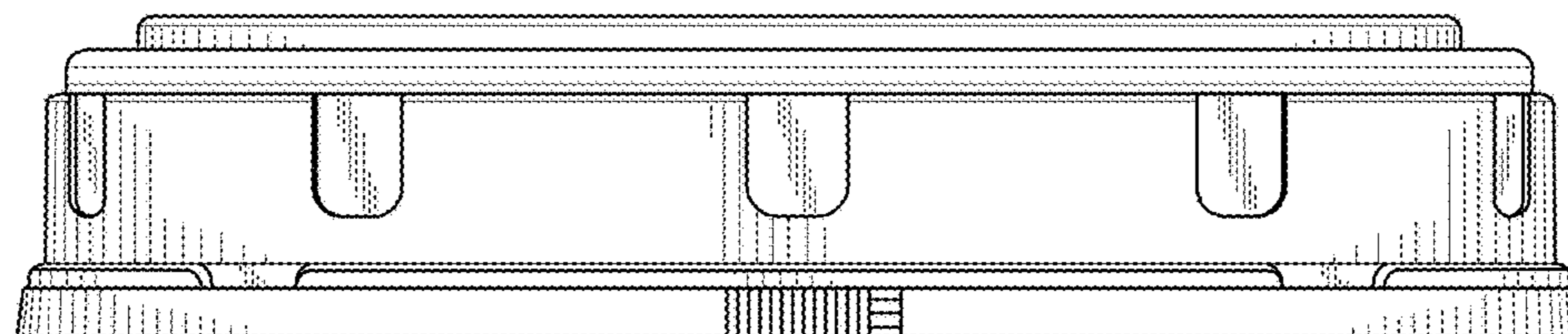


FIG. 7

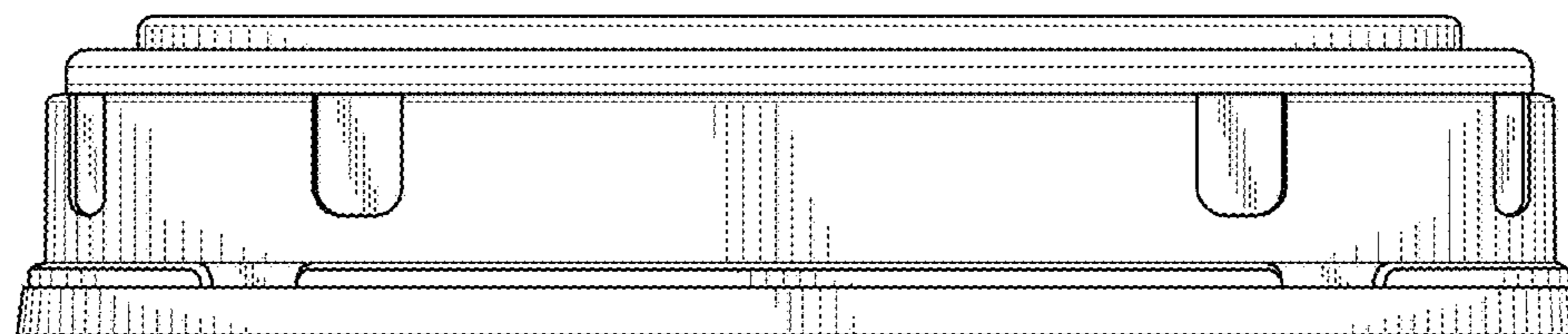


FIG. 8