



US00D826510S

(12) **United States Design Patent**
Brunner

(10) **Patent No.:** **US D826,510 S**

(45) **Date of Patent:** **** Aug. 21, 2018**

(54) **MOBILE TOOL CART**

(71) Applicant: **Keter Plastic Ltd.**, Herzelyia (IL)

(72) Inventor: **Yaron Brunner**, Kibbutz Gvat (IL)

(73) Assignee: **KETER PLASTIC LTD.**, Herzelyia (IL)

(**) Term: **15 Years**

(21) Appl. No.: **29/582,365**

(22) Filed: **Oct. 27, 2016**

(51) **LOC (11) Cl.** **12-05**

(52) **U.S. Cl.**
USPC **D34/24**

(58) **Field of Classification Search**
USPC D34/12-27; 280/47.18, 47.19, 47.29,
280/47.27, 47.28, 79.2, 79.3
CPC .. B62B 1/12; B62B 1/002; B62B 1/20; B62B
1/18; B62B 1/10
See application file for complete search history.

(56) **References Cited**

U.S. PATENT DOCUMENTS

D270,017 S *	8/1983	DiDonna	D3/279
5,013,055 A *	5/1991	Labrum	B25H 3/00 248/129
6,036,203 A *	3/2000	Tyus	B25H 3/00 280/47.26
6,179,306 B1 *	1/2001	Maxwell	B62B 1/26 280/43.1
6,808,185 B1 *	10/2004	Brace	B25G 3/10 280/47.19

7,766,161 B2 *	8/2010	Good	B25H 3/00 206/349
D642,764 S *	8/2011	Elden	D34/24
D701,696 S *	4/2014	Shitrit	D3/279
D708,411 S *	7/2014	Schnautz	D34/14
2002/0084629 A1 *	7/2002	Levy	B62B 1/14 280/651
2004/0061298 A1 *	4/2004	Sandoval	B62B 1/142 280/47.27
2008/0079227 A1 *	4/2008	Angello	B25F 1/02 280/47.26
2010/0052276 A1 *	3/2010	Brunner	B25H 3/027 280/47.35

* cited by examiner

Primary Examiner — Cynthia Ramirez

(74) *Attorney, Agent, or Firm* — Vorys, Sater, Seymour & Pease LLP

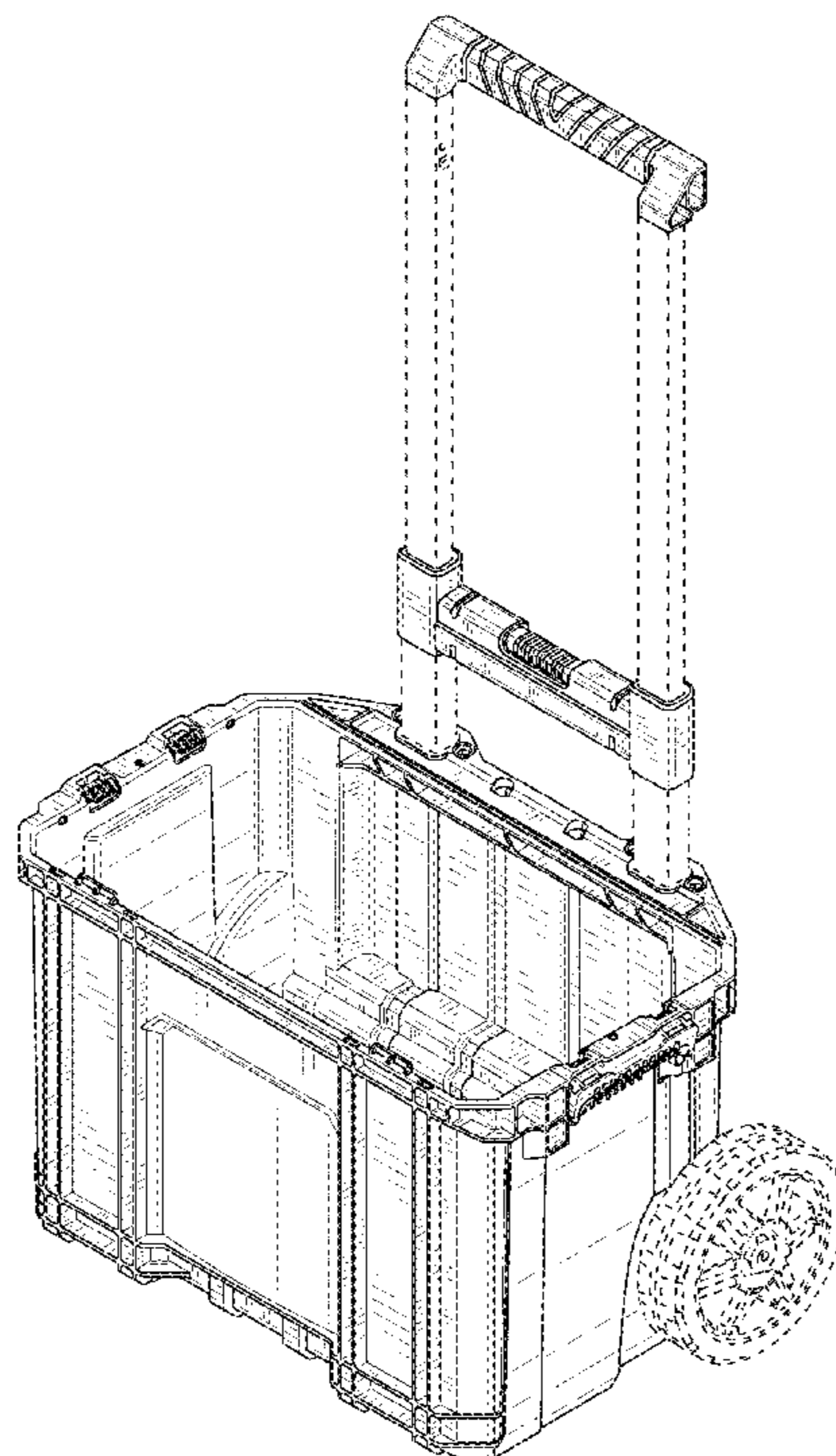
(57) **CLAIM**

The ornamental design for a mobile tool cart, as shown and described.

DESCRIPTION

FIG. 1 is a front, top, and right side perspective view of a design for a mobile tool cart;
FIG. 2 is a front elevational view thereof;
FIG. 3 is a rear elevational view thereof;
FIG. 4 is a left side elevational view thereof;
FIG. 5 is a right side elevational view thereof;
FIG. 6 is a top plan view thereof; and,
FIG. 7 is a bottom plan view thereof.
The broken lines in the figures are to show portions of the mobile tool cart that form no part of the claimed design.

1 Claim, 7 Drawing Sheets



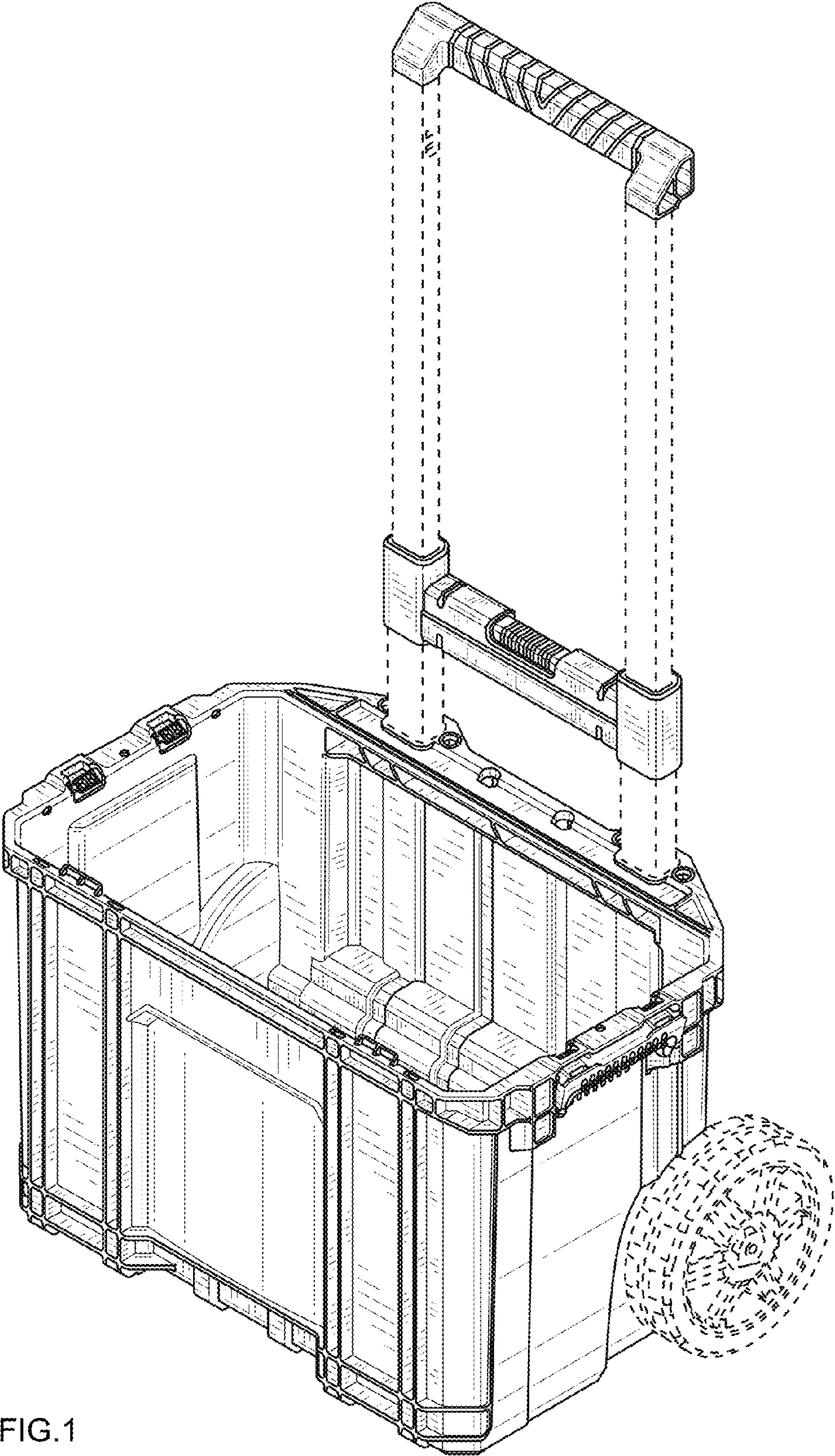


FIG.1

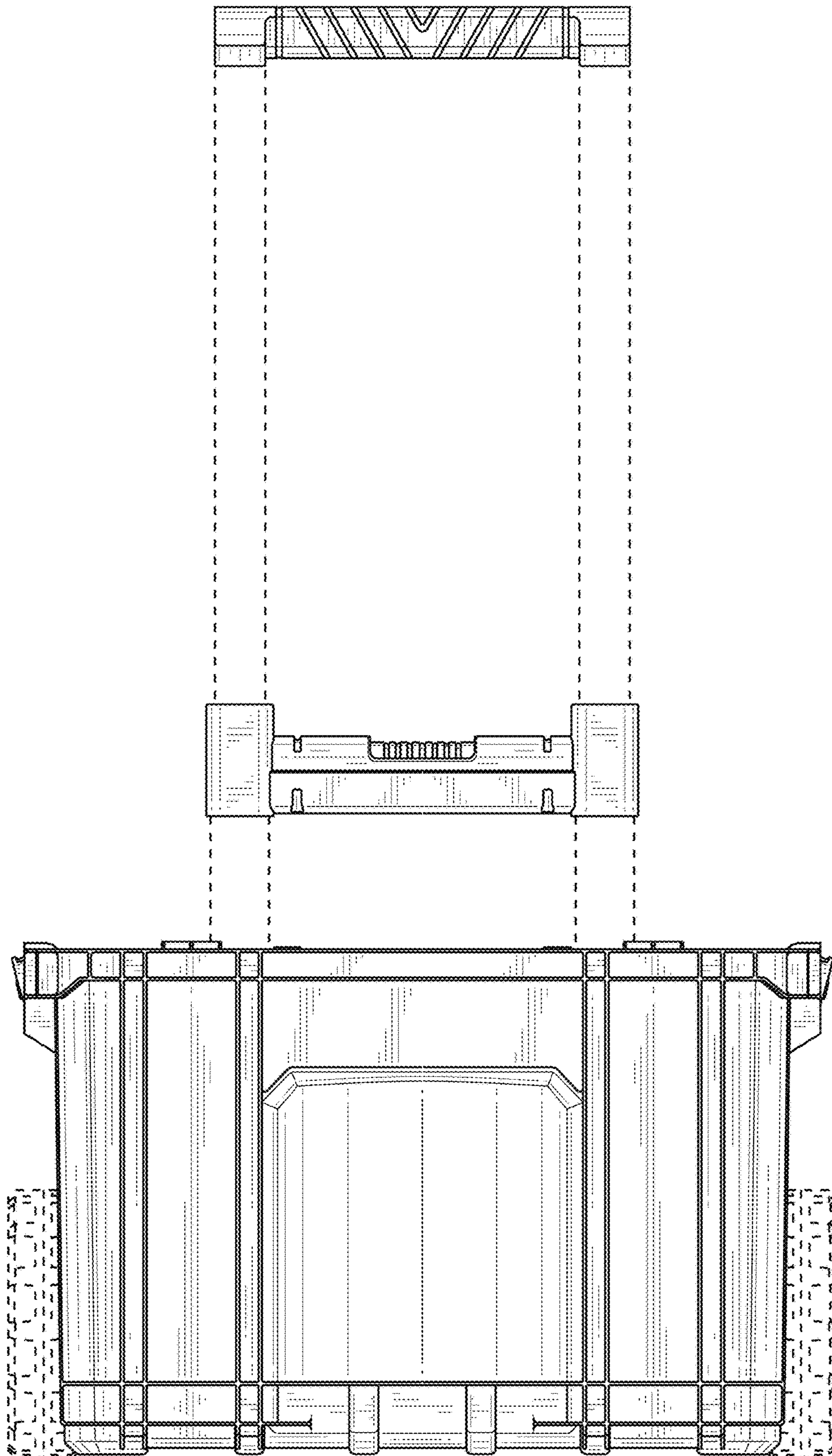


FIG.2

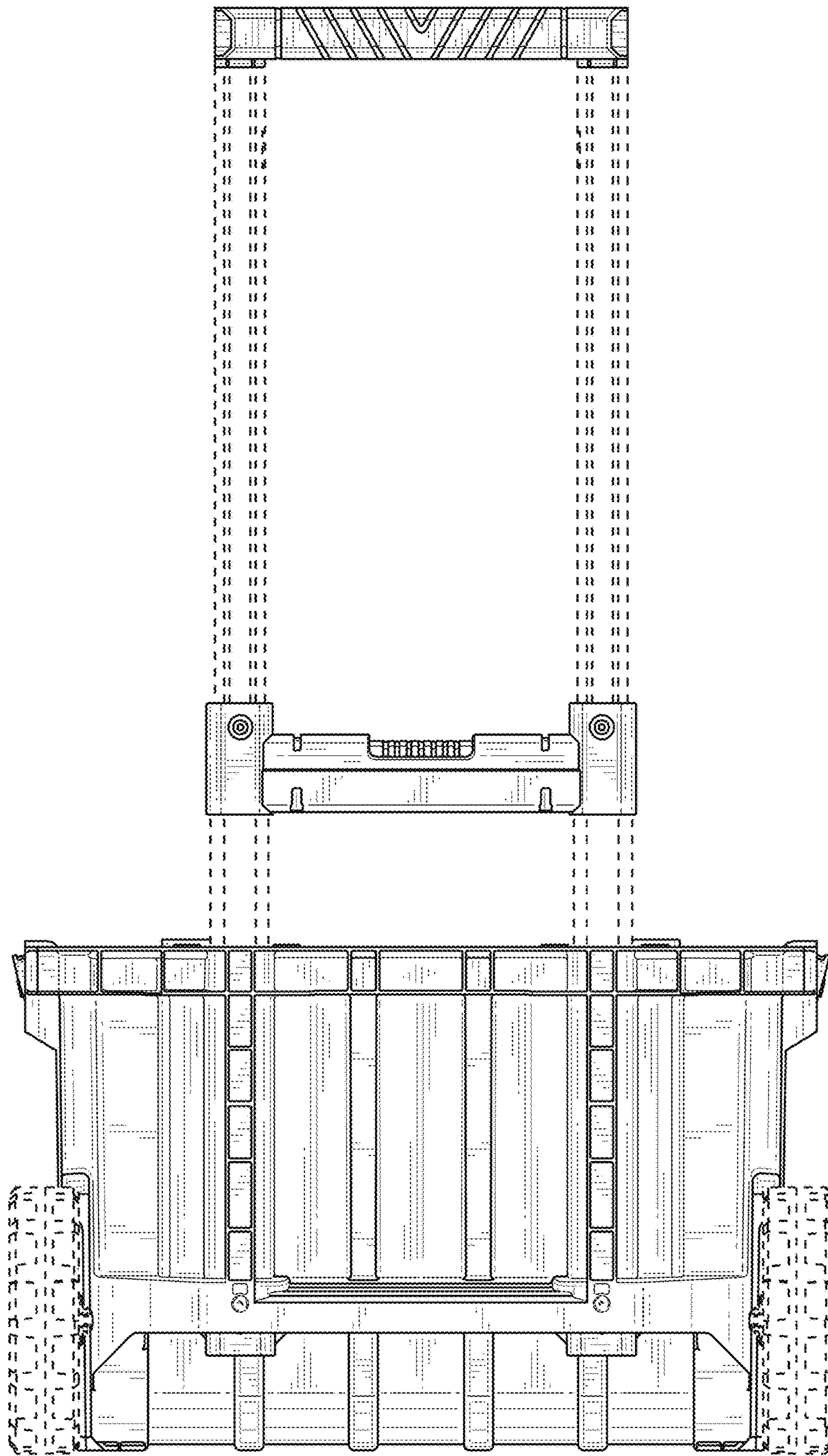


FIG.3

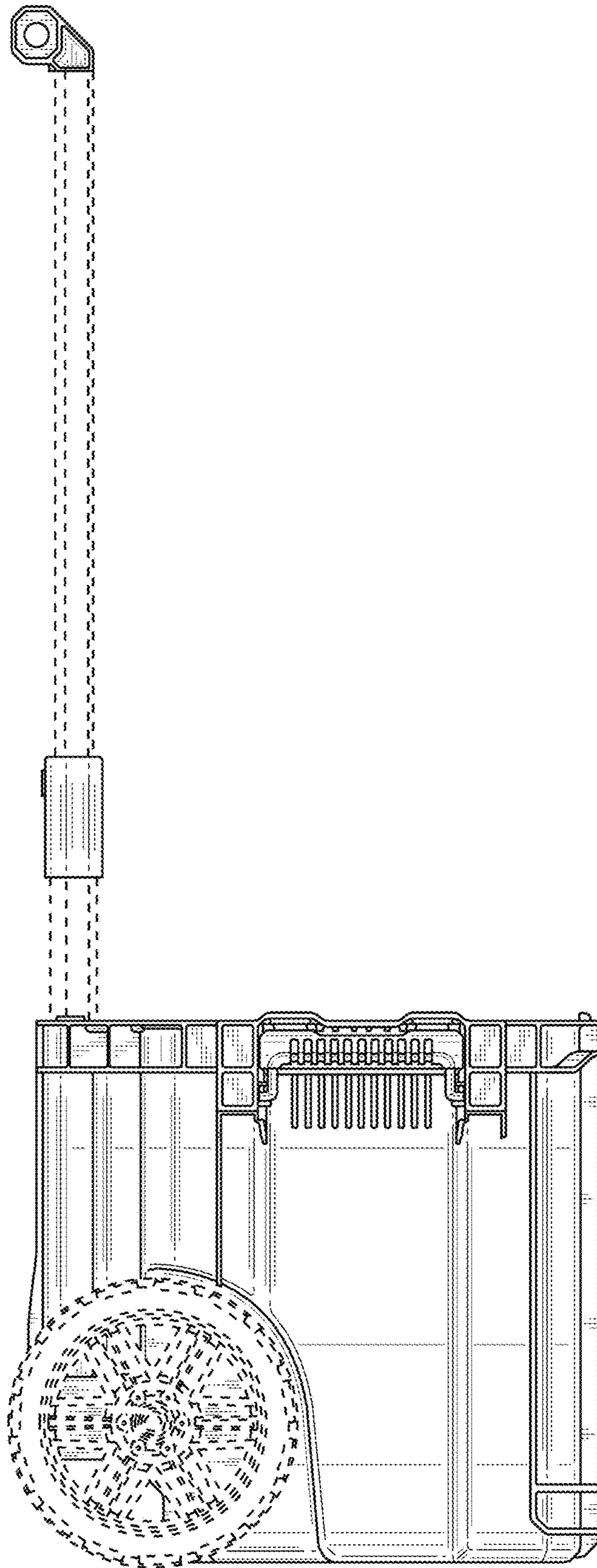


FIG.4

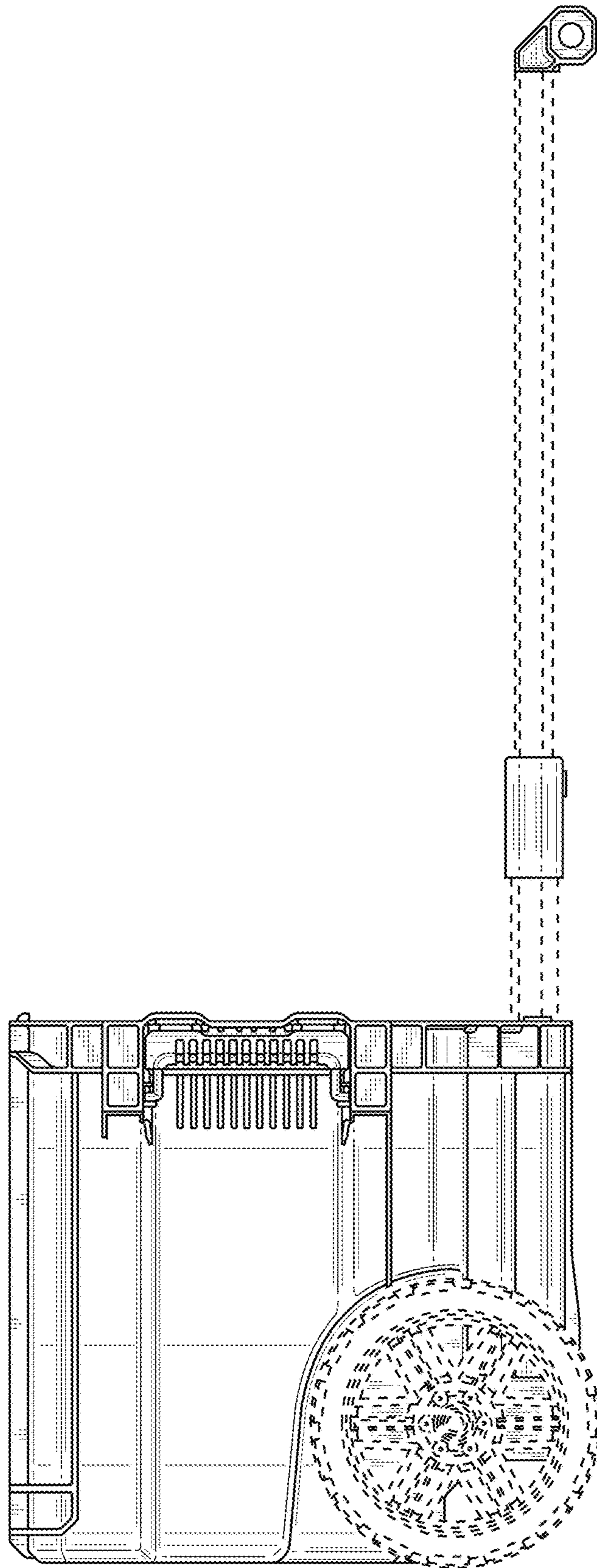


FIG.5

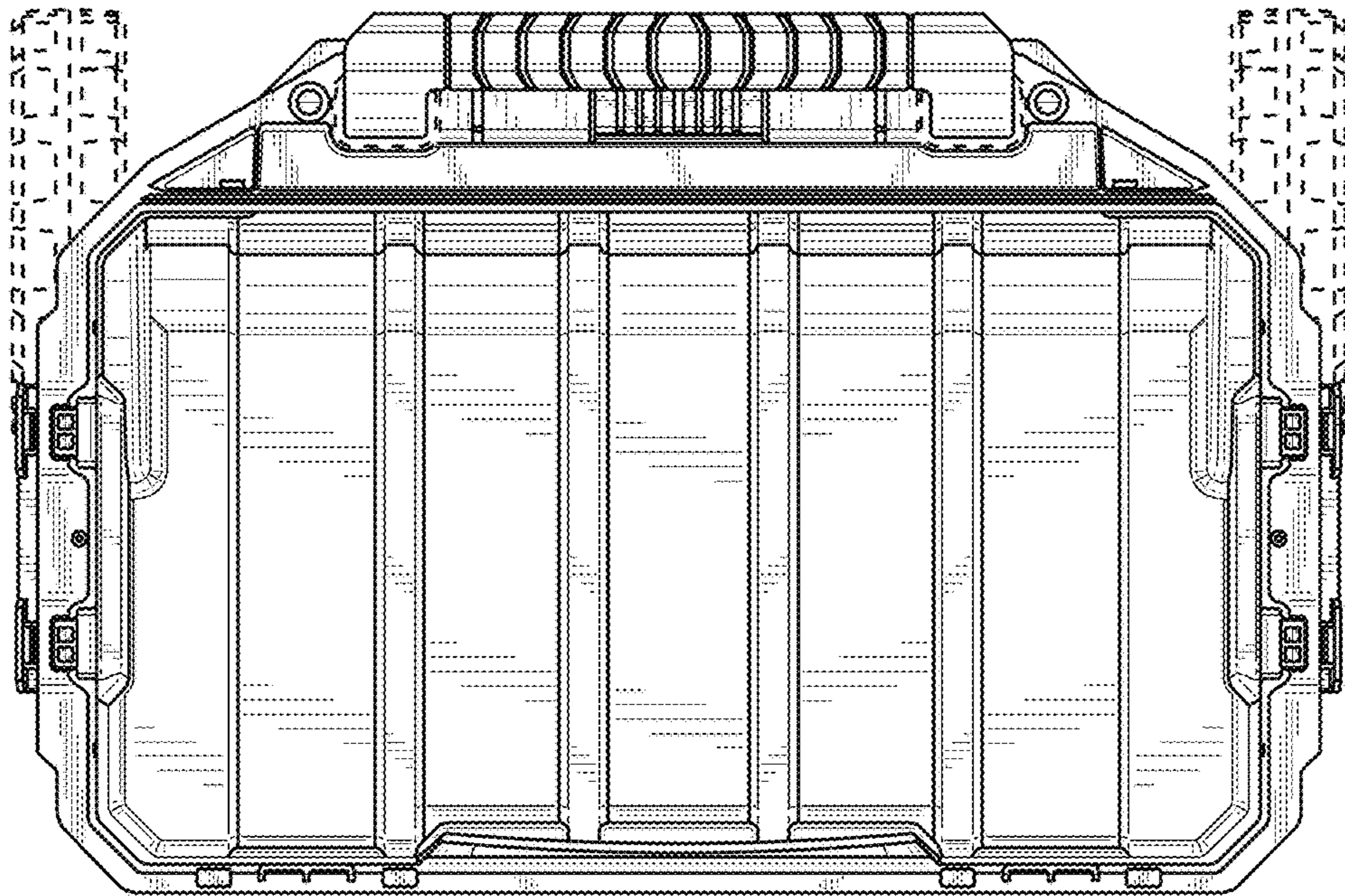


FIG.6

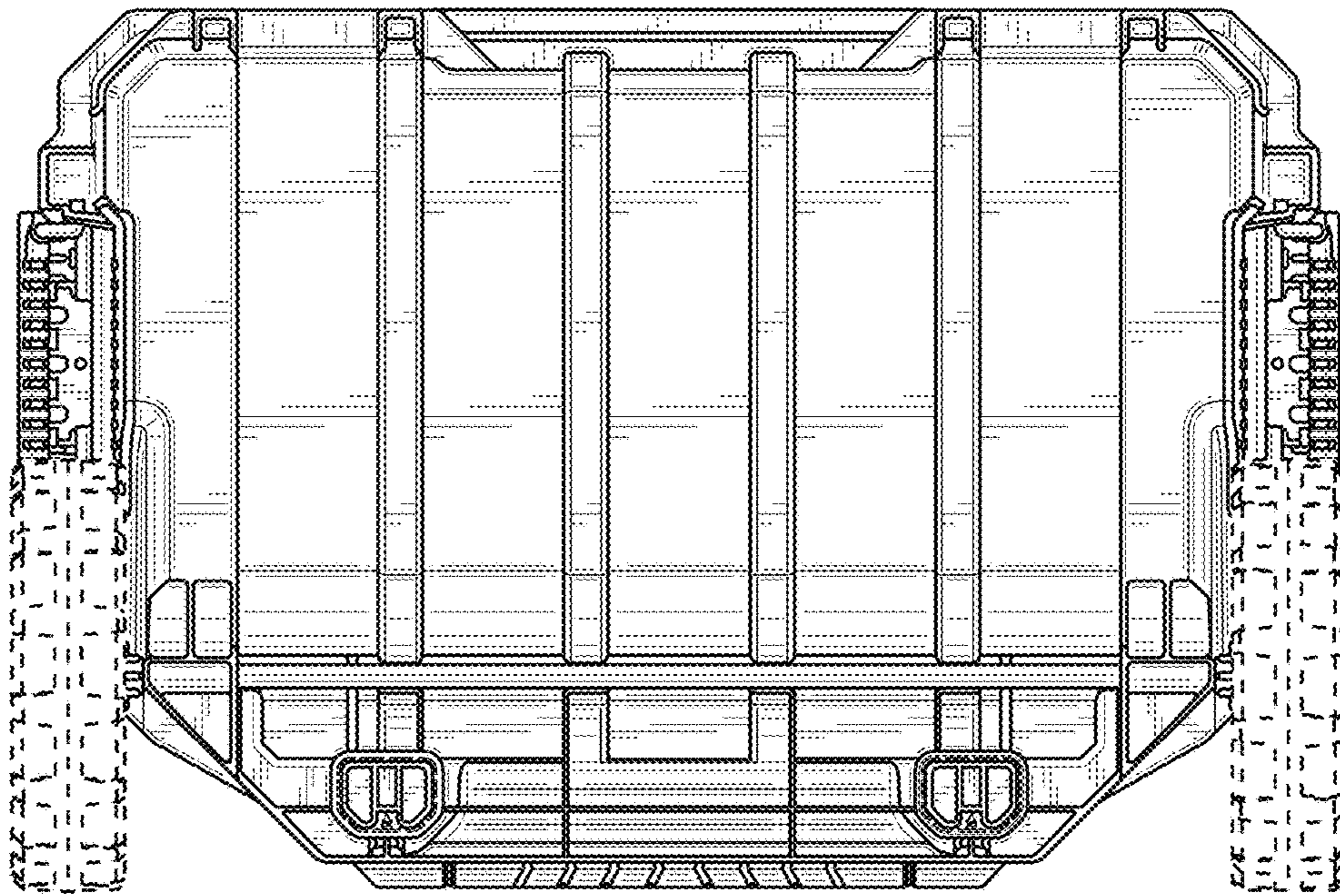


FIG.7