



US00D826508S

(12) **United States Design Patent**
Cacioppo et al.

(10) **Patent No.:** **US D826,508 S**

(45) **Date of Patent:** **** Aug. 21, 2018**

(54) **ENHANCED WAREHOUSE CART**

- (71) Applicant: **6 River Systems, Inc.**, Waltham, MA (US)
- (72) Inventors: **Christopher Cacioppo**, Somerville, MA (US); **Jerome Dubois**, Waltham, MA (US); **Rylan Hamilton**, Boston, MA (US); **Timothy Higgins**, Rockport, MA (US)
- (73) Assignee: **6 River Systems, Inc.**, Waltham, MA (US)

(**) Term: **15 Years**

(21) Appl. No.: **29/586,833**

(22) Filed: **Dec. 7, 2016**

(51) **LOC (11) Cl.** **12-02**

(52) **U.S. Cl.**

USPC **D34/12**

(58) **Field of Classification Search**

USPC D34/12-27; D15/199
CPC G06F 3/0485; B62B 5/06; B62B 5/00; B62B 3/005; B62B 11/00

See application file for complete search history.

(56) **References Cited**

U.S. PATENT DOCUMENTS

3,312,300	A	4/1967	Jones
3,746,189	A	7/1973	Burch et al.
4,088,237	A	5/1978	Brown
5,023,790	A	6/1991	Luke, Jr.
5,163,001	A	11/1992	Luke, Jr.
5,250,789	A	10/1993	Johnsen
5,340,262	A	8/1994	Tsujimoto et al.
5,568,393	A	10/1996	Ando et al.

(Continued)

FOREIGN PATENT DOCUMENTS

DE	202005013177	U1	12/2005
EP	2525316	A2	11/2012

(Continued)

OTHER PUBLICATIONS

Matthews Automation Solutions, "Mobile Picking Carts That Support Simultaneous Wave, Batch Picking of Multiple Orders at ProMat 2015", Home (<https://lightningpick.com>) / Mobile Picking Carts That Support Simultaneous Wave, Batch Picking of Multiple Orders at ProMat 2015, Mar. 20, 2015, (4 pages).

(Continued)

Primary Examiner — Cynthia Ramirez

(74) *Attorney, Agent, or Firm* — Goodwin Procter LLP

(57) **CLAIM**

The ornamental design for an enhanced warehouse cart, as shown and described.

DESCRIPTION

FIG. 1 is a top, rear, and left side perspective view of an enhanced warehouse cart;

FIG. 2 is a rear view of the enhanced warehouse cart of FIG. 1;

FIG. 3 is a front view of the enhanced warehouse cart of FIG. 1;

FIG. 4 is a left side view of the enhanced warehouse cart of FIG. 1;

FIG. 5 is a right side view of the enhanced warehouse cart of FIG. 1;

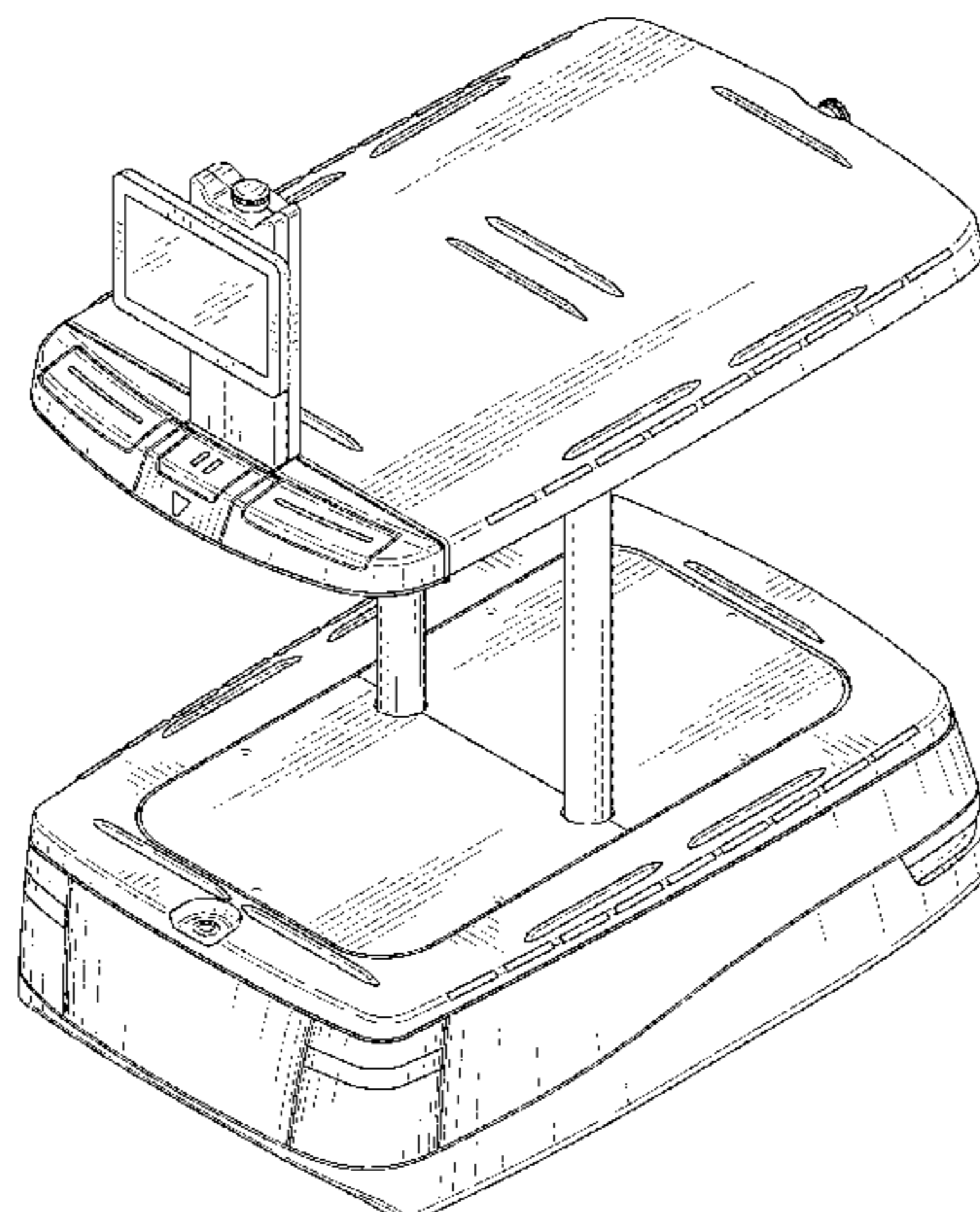
FIG. 6 is a top view of the enhanced warehouse cart of FIG. 1;

FIG. 7 is a bottom view of the enhanced warehouse cart of FIG. 1; and,

FIG. 8 is a bottom, front, and left side perspective view of the enhanced warehouse cart of FIG. 1.

The broken lines shown in the figures are to show portions of the enhanced warehouse cart that form no part of the claimed design.

1 Claim, 8 Drawing Sheets



(56)

References Cited

U.S. PATENT DOCUMENTS

5,657,828 A 8/1997 Nagamachi
 5,860,485 A 1/1999 Ebbenga
 5,953,234 A 9/1999 Singer et al.
 6,206,170 B1 3/2001 Kissel et al.
 6,652,213 B1 11/2003 Mitchell et al.
 6,775,588 B1 8/2004 Peck
 7,073,634 B2 7/2006 Mitchell et al.
 7,401,796 B1* 7/2008 Greco A47B 21/00
 280/47.34
 7,603,291 B2 10/2009 Raiyani et al.
 7,639,142 B2 12/2009 Roeder et al.
 7,648,068 B2 1/2010 Silverbrook et al.
 7,861,844 B2 1/2011 Hayduchok et al.
 7,865,398 B2 1/2011 Schon
 7,945,455 B2 5/2011 Zimmermann
 8,406,993 B2 3/2013 Hannah et al.
 D683,101 S* 5/2013 Wojdyla-Gray D34/14
 D683,333 S* 5/2013 Lee D14/223
 8,639,543 B2 1/2014 Boss et al.
 8,674,845 B2 3/2014 Carter et al.
 8,700,230 B1 4/2014 Hannah et al.
 8,725,362 B2 5/2014 Elston et al.
 8,839,132 B2 9/2014 Reichert
 8,892,241 B2 11/2014 Weiss
 9,091,551 B2 7/2015 Hannah et al.
 D810,167 S* 2/2018 Yang D15/199
 D811,458 S* 2/2018 Wang D15/199
 D812,836 S* 3/2018 Wohlstadter D34/12
 2004/0143378 A1 7/2004 Vogelsang
 2005/0149226 A1 7/2005 Stevens et al.
 2006/0163350 A1 7/2006 Melton et al.

2007/0013157 A1 1/2007 Wiff et al.
 2008/0210268 A1 9/2008 Metheny et al.
 2009/0012760 A1 1/2009 Schunemann
 2011/0000731 A1 1/2011 Boeckler
 2011/0035247 A1 2/2011 Perry et al.
 2011/0266078 A1 11/2011 Hupke
 2011/0320322 A1 12/2011 Roslak et al.
 2013/0096735 A1 4/2013 Byford et al.
 2013/0211977 A1 8/2013 Lyon et al.
 2013/0333961 A1 12/2013 O'Donnell
 2014/0074341 A1 3/2014 Weiss
 2014/0107833 A1 4/2014 Segawa et al.
 2015/0081088 A1 3/2015 Lyon et al.
 2015/0223891 A1 8/2015 Miller et al.
 2015/0239667 A1 8/2015 Naylor

FOREIGN PATENT DOCUMENTS

EP 2633751 A1 9/2013
 EP 2915715 A1 9/2015
 GB 2416612 A 2/2006
 JP 2010/064823 A 3/2010
 WO WO-1998/042239 A2 10/1998
 WO WO-2003/054584 A1 7/2003
 WO WO-2012/145068 A1 10/2012
 WO WO-2015/020974 A2 2/2015
 WO WO-2015/112035 A1 7/2015

OTHER PUBLICATIONS

Walters, "Whole Foods developing Kinect-driven shopping cart",
 Geek.com, Feb. 29, 2012 (3 Pages).

* cited by examiner

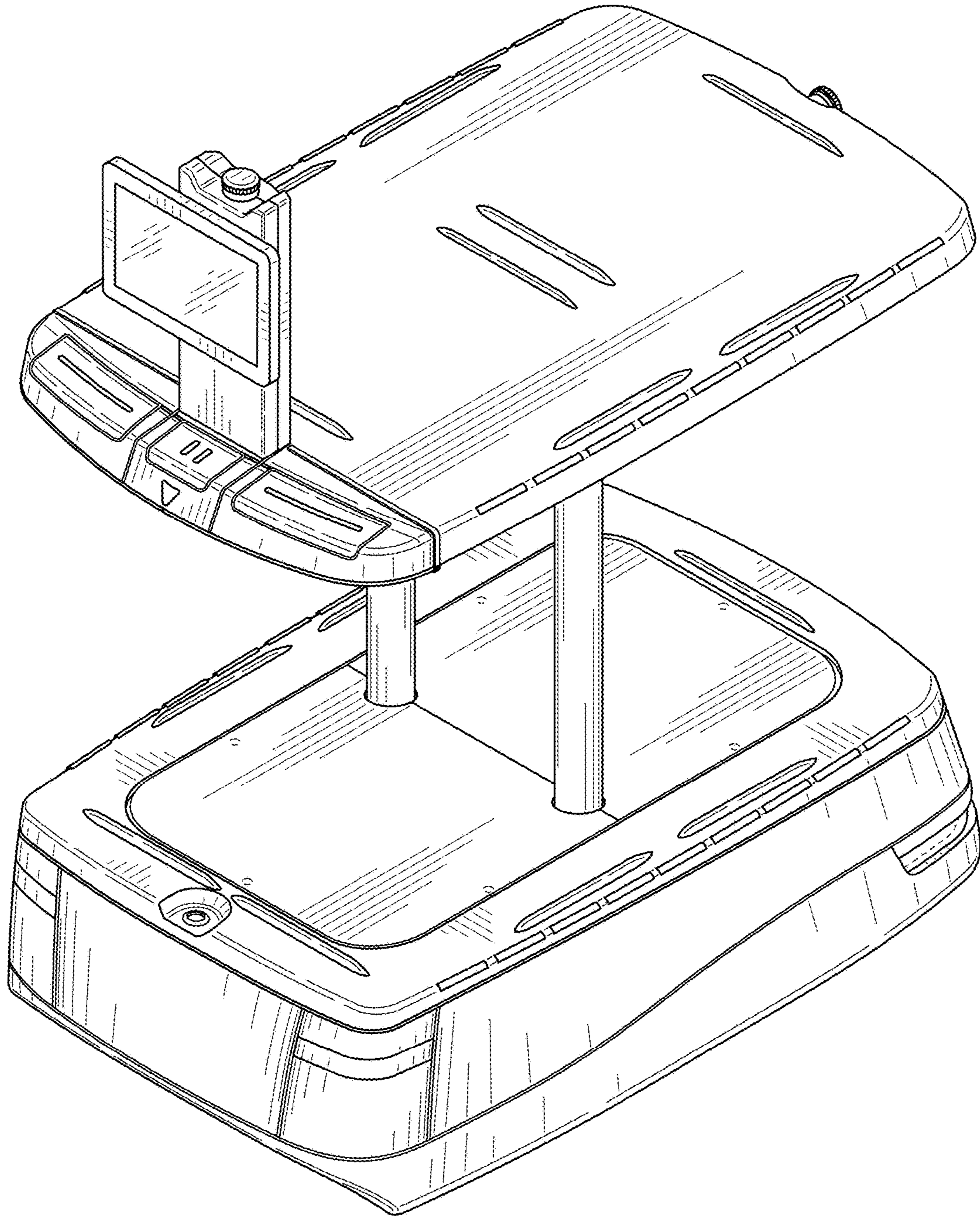


FIG. 1

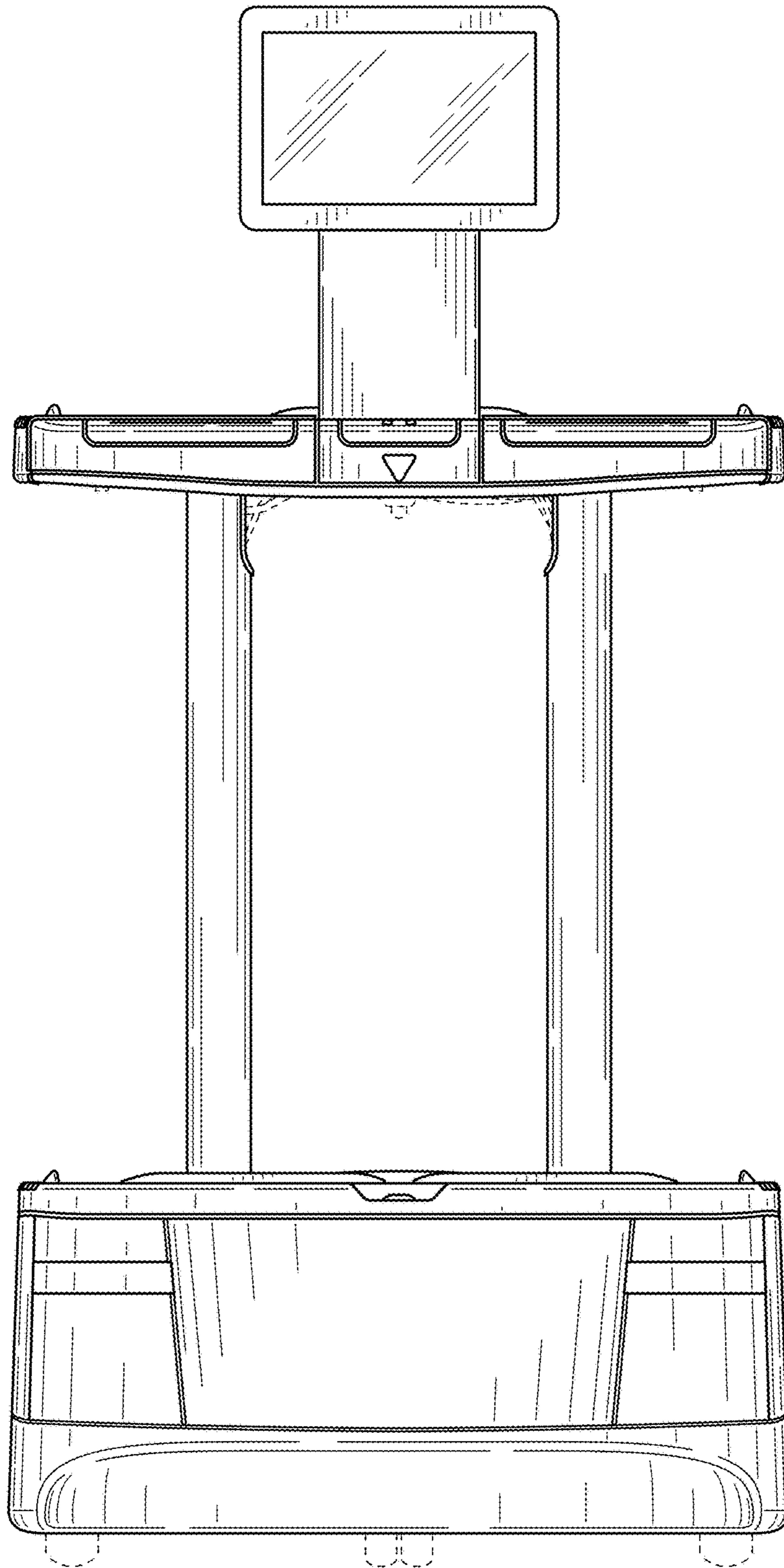


FIG. 2

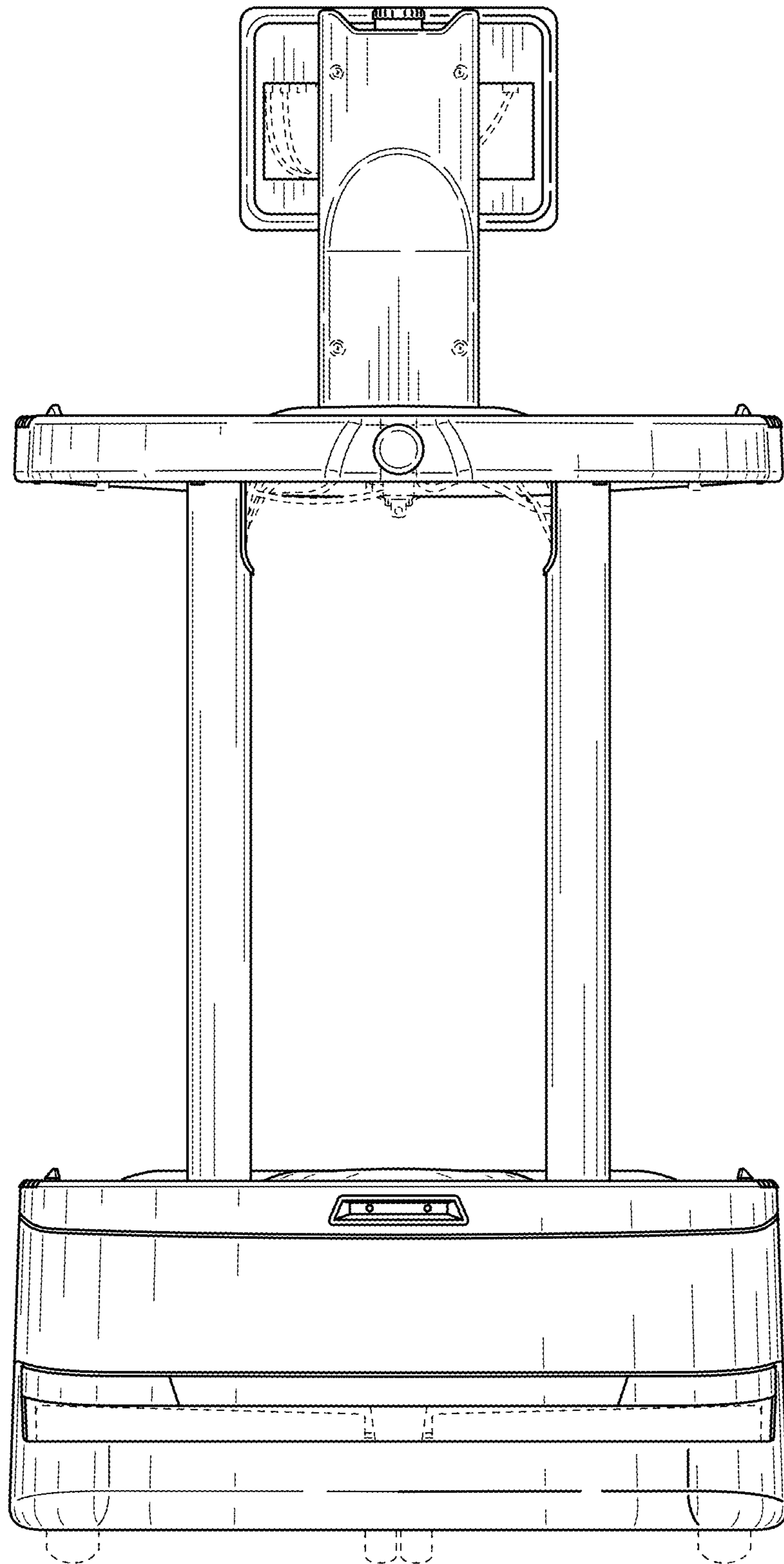


FIG. 3

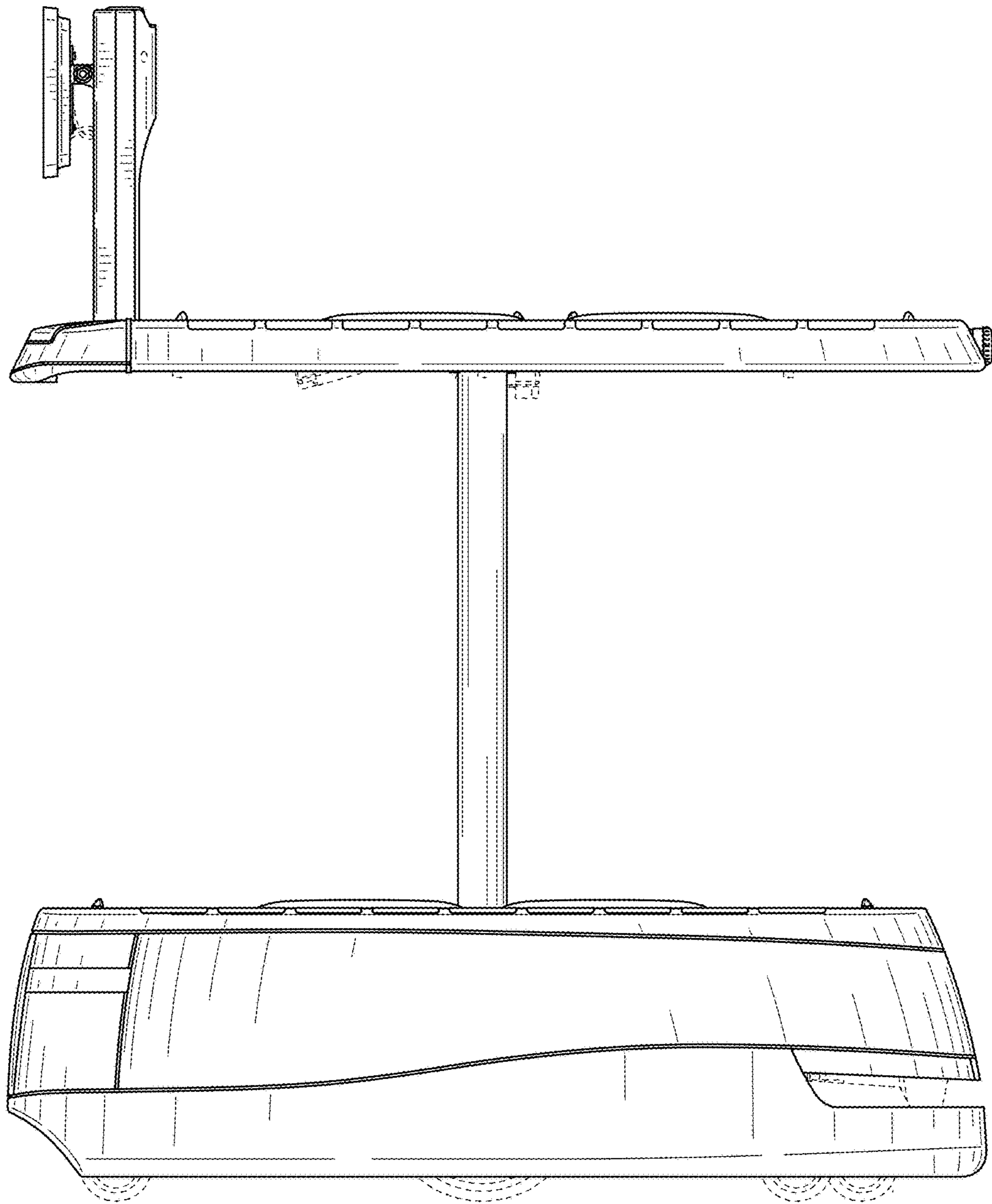


FIG. 4

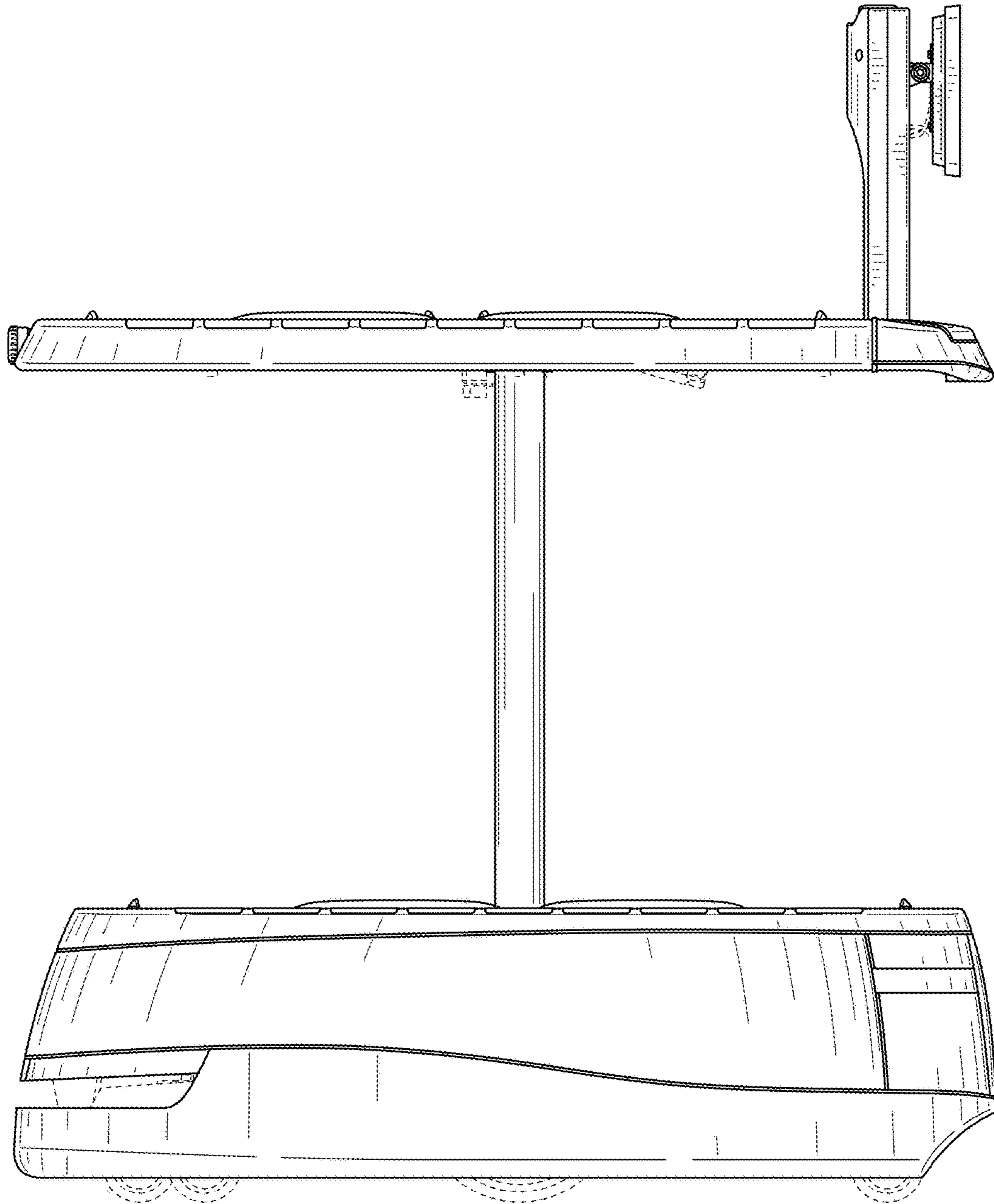


FIG. 5

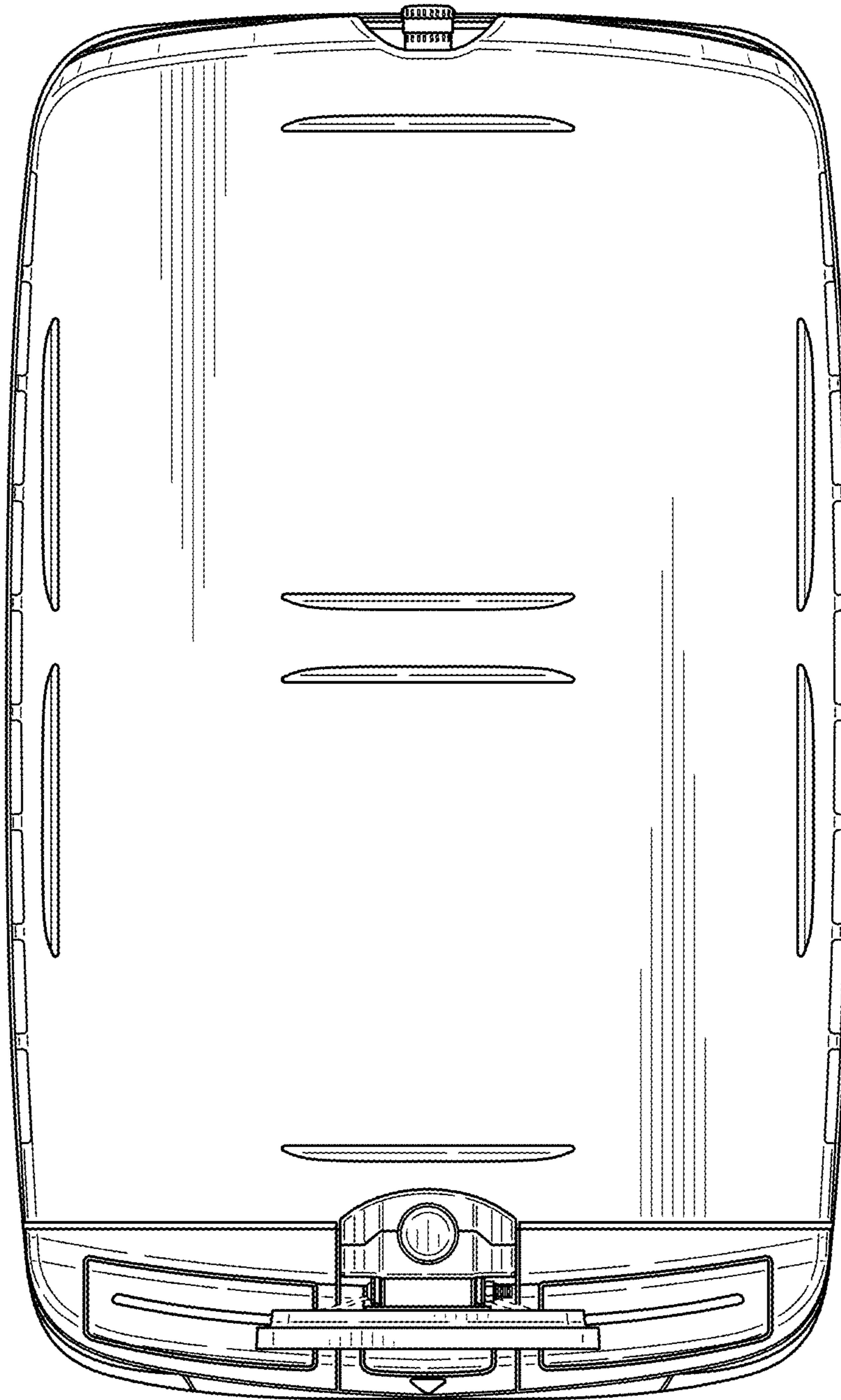


FIG. 6

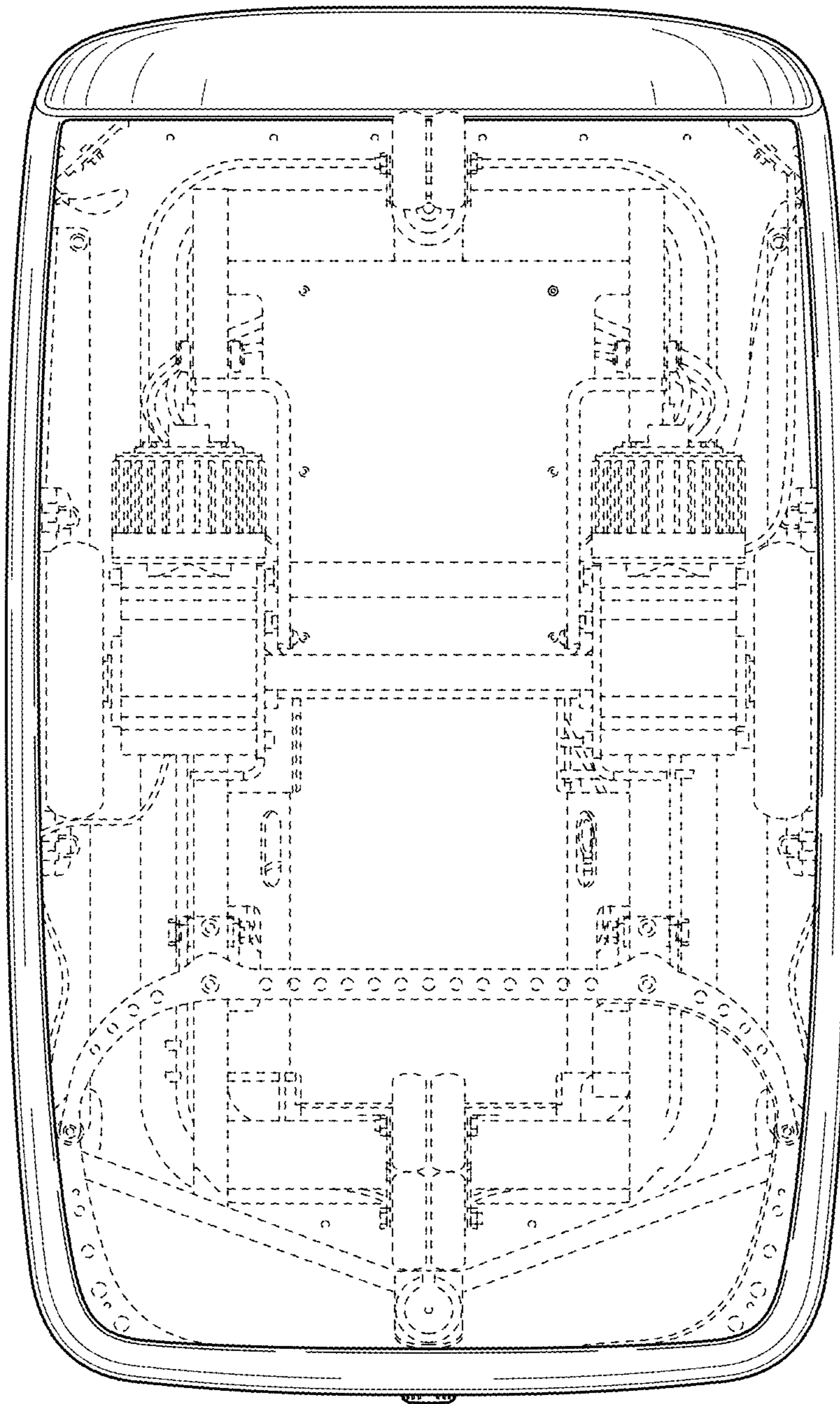


FIG. 7

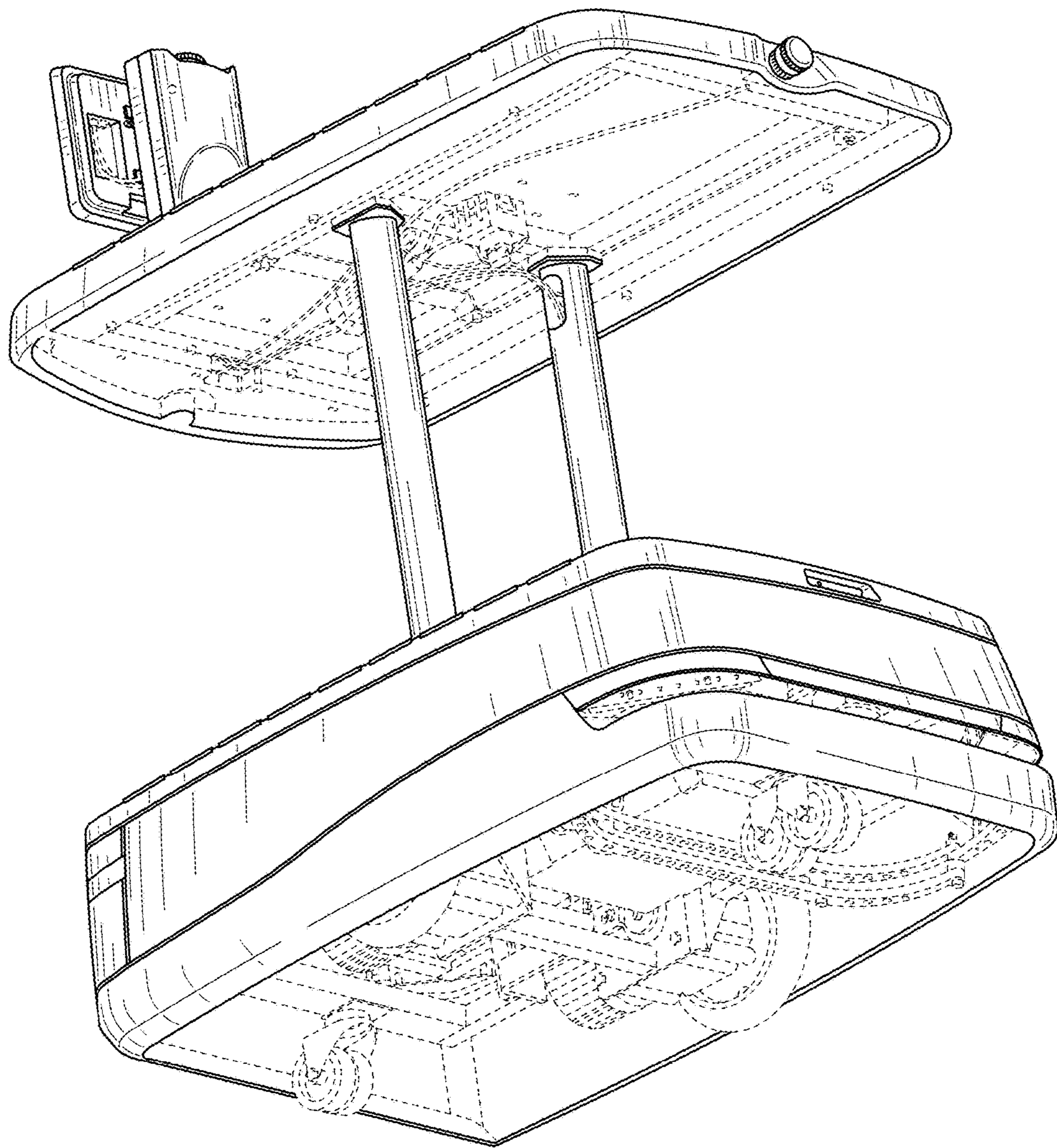


FIG. 8