



US00D826506S

(12) **United States Design Patent** (10) **Patent No.:** **US D826,506 S**
Labrecque et al. (45) **Date of Patent:** **** Aug. 21, 2018**

(54) **WASTE CONTAINER** 7,100,791 B2 * 9/2006 Berger B65F 1/122
220/380
(71) Applicant: **IPL INC.**, St-Damien (CA) 7,121,564 B2 10/2006 Hassell
D532,173 S 11/2006 Aiken et al.
(72) Inventors: **Jean-Gabriel Labrecque**, D535,448 S 1/2007 Kilduff et al.
St-Damien-de-Buckland (CA); **Roch** 7,172,088 B2 2/2007 McDade et al.
Nolet, St-Joseph de Beauce (CA) (Continued)

FOREIGN PATENT DOCUMENTS

(73) Assignee: **IPL INC.**, St-Damien (CA) CA 89297 4/2000
CA 99947 7/2003
(**) Term: **15 Years** (Continued)

(21) Appl. No.: **29/597,850**

(22) Filed: **Mar. 21, 2017**

(51) **LOC (11) Cl.** **09-09**

(52) **U.S. Cl.**
USPC **D34/10; D34/5**

(58) **Field of Classification Search**
USPC D34/1, 5, 10
CPC B65F 1/06; B65F 1/1615; B65F 1/1607;
B65F 1/062; B65F 1/08; B65F 1/163;
B65F 1/16
See application file for complete search history.

(56) **References Cited**

U.S. PATENT DOCUMENTS

D291,739 S	9/1987	Orlowski
D313,491 S	1/1991	Edelhoff et al.
D355,741 S	2/1995	Craft et al.
D365,428 S	12/1995	Prout et al.
D398,120 S	9/1998	Rehrig et al.
D410,125 S	5/1999	Rehrig et al.
D429,398 S	8/2000	Wysocki
D445,228 S	7/2001	Apps et al.
D470,989 S	2/2003	Tuduri
D473,563 S	4/2003	Russell
D474,319 S	5/2003	Tuduri
D477,899 S	7/2003	Tuduri
D478,197 S	8/2003	Raghunathan
D491,328 S	6/2004	Aiken et al.
7,070,064 B1	7/2006	Henry et al.

OTHER PUBLICATIONS

Cascade Waste and Recycling Carts; <http://www.cascadecartsolutions.com/products/waste-recycling-carts/icon-series>; Dec. 14, 2012.

(Continued)

Primary Examiner — Cynthia Ramirez
(74) *Attorney, Agent, or Firm* — Gwendoline Bruneau

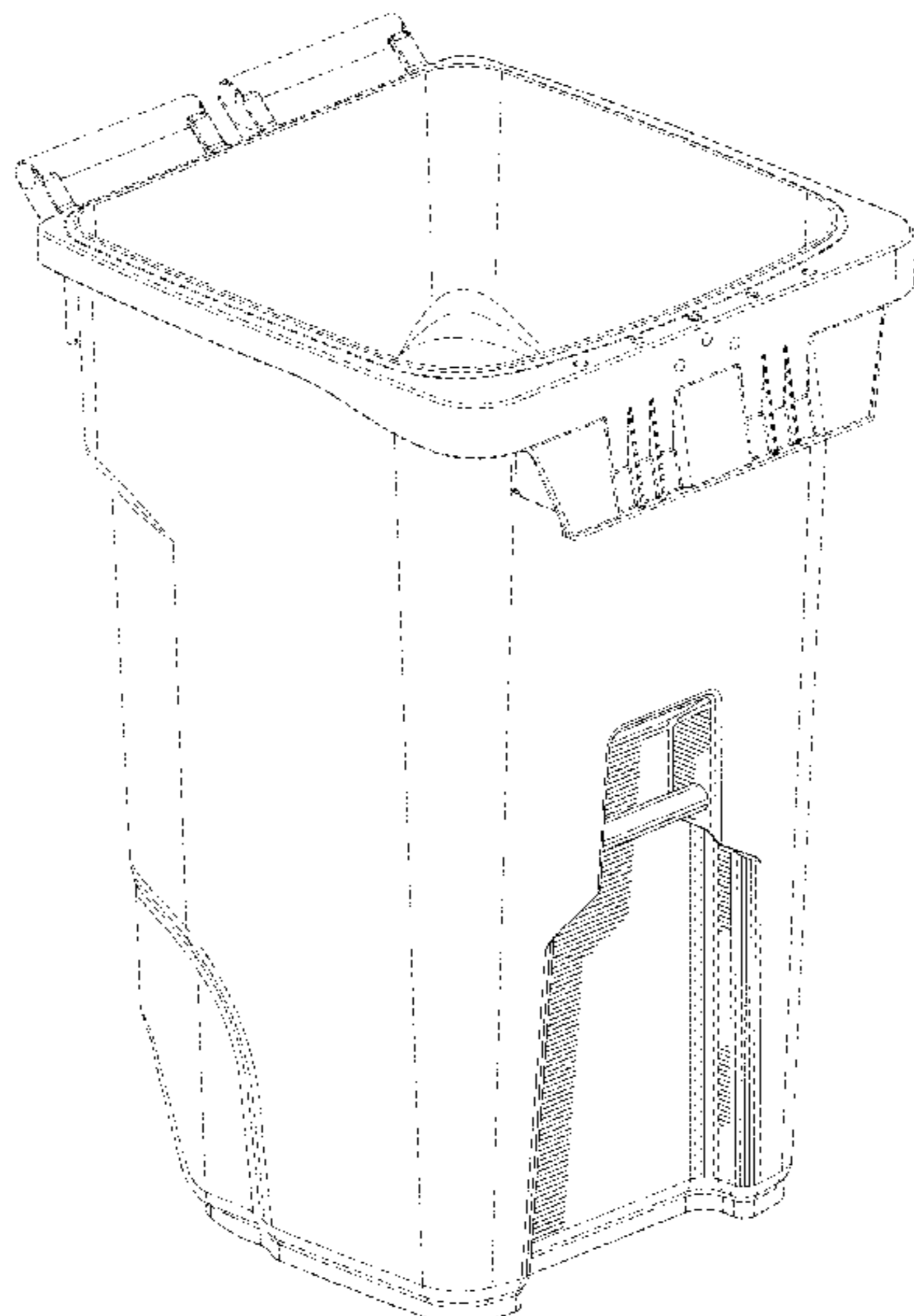
(57) **CLAIM**

The ornamental design for a waste container, as shown and described.

DESCRIPTION

FIG. 1 is a perspective front view of a waste container showing the new design;
FIG. 2 is a front view thereof;
FIG. 3 is a top view thereof;
FIG. 4 is a first side view thereof;
FIG. 5 is a second side view thereof;
FIG. 6 is a back view thereof; and,
FIG. 7 is bottom view thereof.
The broken lines in the figures are included for the purpose of illustrating portions of the waste container that form no part of the claimed design.

1 Claim, 7 Drawing Sheets



(56)

References Cited

U.S. PATENT DOCUMENTS

D564,722 S 3/2008 Hogarth et al.
 D577,170 S 9/2008 Meers
 D624,723 S 9/2010 Raghunathan et al.
 D634,912 S 3/2011 Pouliot et al.
 D641,121 S 7/2011 Rampton et al.
 D643,174 S 8/2011 Raghunathan et al.
 D646,037 S 9/2011 Arthurson
 D657,106 S 4/2012 Talbot Pouliot et al.
 D659,338 S 5/2012 Gardner
 8,424,714 B2 4/2013 Kruse et al.
 8,430,267 B2 4/2013 Kilduff et al.
 D753,364 S * 4/2016 Labrecque D34/5
 9,371,181 B2 * 6/2016 Connor B65F 1/122
 D771,893 S * 11/2016 Del Rosario Roy D34/5
 D789,012 S * 6/2017 Labrecque D34/5
 9,738,444 B1 * 8/2017 Uffner B65F 1/1473
 9,975,694 B1 * 5/2018 Foster B65F 1/1473
 2003/0155366 A1 8/2003 Raghunathan
 2003/0213808 A1 11/2003 Berger
 2004/0074913 A1 4/2004 McDade et al.
 2009/0223965 A1 9/2009 Raghunathan et al.
 2011/0049151 A1 3/2011 Raghunathan et al.
 2011/0049152 A1 3/2011 Raghunathan et al.
 2013/0048654 A1 2/2013 Kilduff et al.

FOREIGN PATENT DOCUMENTS

CA 125054 4/2004
 CA 126678 4/2004

CA 104750 11/2005
 CA 125835 4/2009
 CA 2624658 A1 9/2009
 CA 2624663 A1 9/2009
 CA 2636306 A1 9/2009

OTHER PUBLICATIONS

Otto Roll-out carts; <http://ottoenvironmentalsystems.thomasnet-navigator.com/category/residential-refuse-and-recycling-carts>; Dec. 14, 2012.
 Rehrig Roll-Out Carts; <http://www.rehrigpacific.com/products-and-services/waste-recycling-and-public-works/roll-out-carts-and-recycle-bins/roll-out-carts>; Dec. 14, 2012.
 Schaefer 2 wheel containers; <http://www.ssi-schaefer.us/waste-management/waste-management-products/2-wheel-containers.html>; Dec. 14, 2012.
 Sulo; Two-wheeled roll-out cart; <http://www.sulo.com.au/products/two-wheeled-2-wheelie-bin-mgb/>; Dec. 14, 2012.
 Toter Curbside Collection Carts, roll-out carts; http://www.toter.com/products/product-detail.cfm?product_id=F5949571-A635-17A8-0DBCEC04461A60F9; Dec. 14, 2012.
 IPL, "Organic Option. For simple Composting", Catalog.
 IPL, "80L. The best fit for food waste collection", Catalog.

* cited by examiner

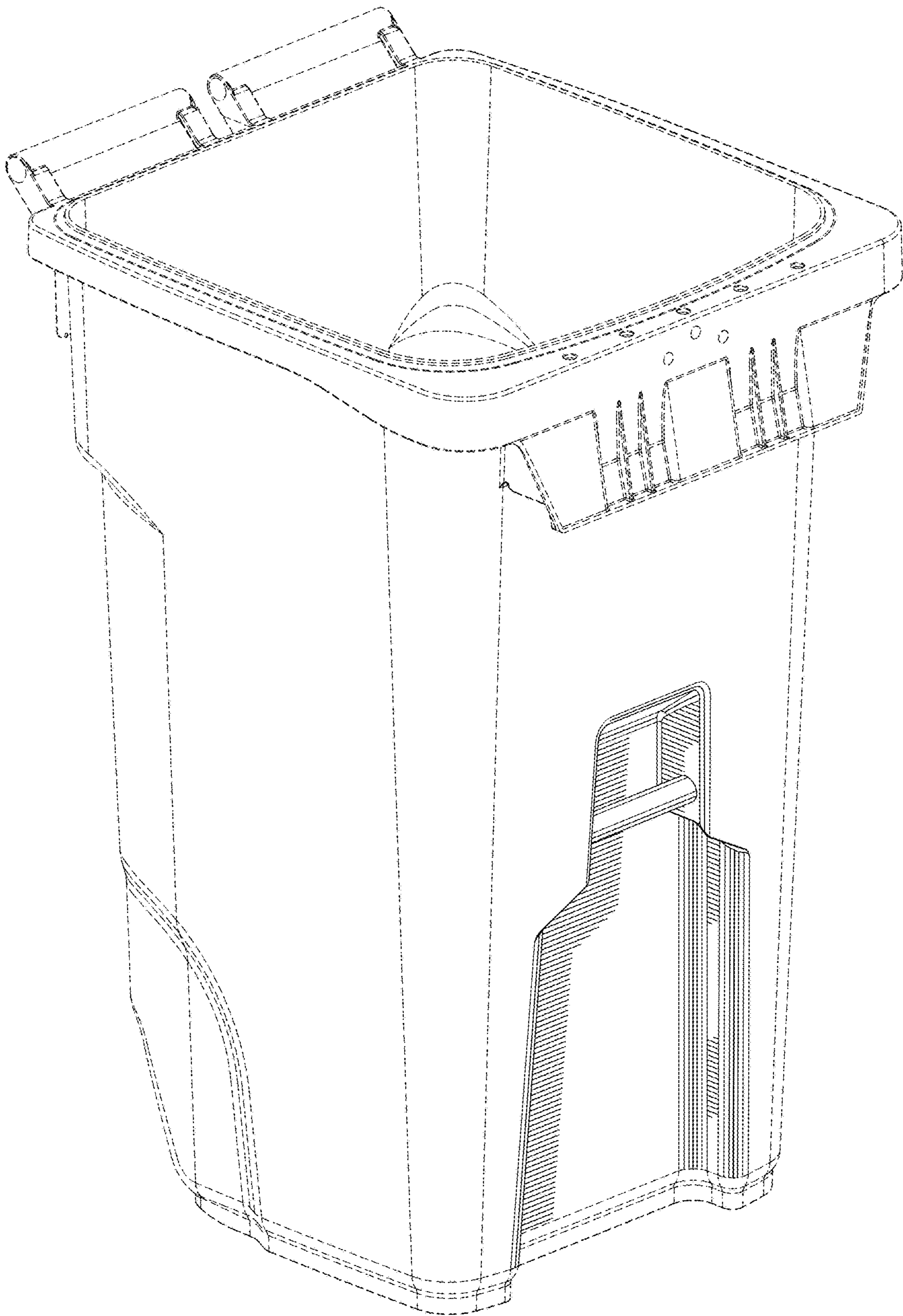


FIG. 1

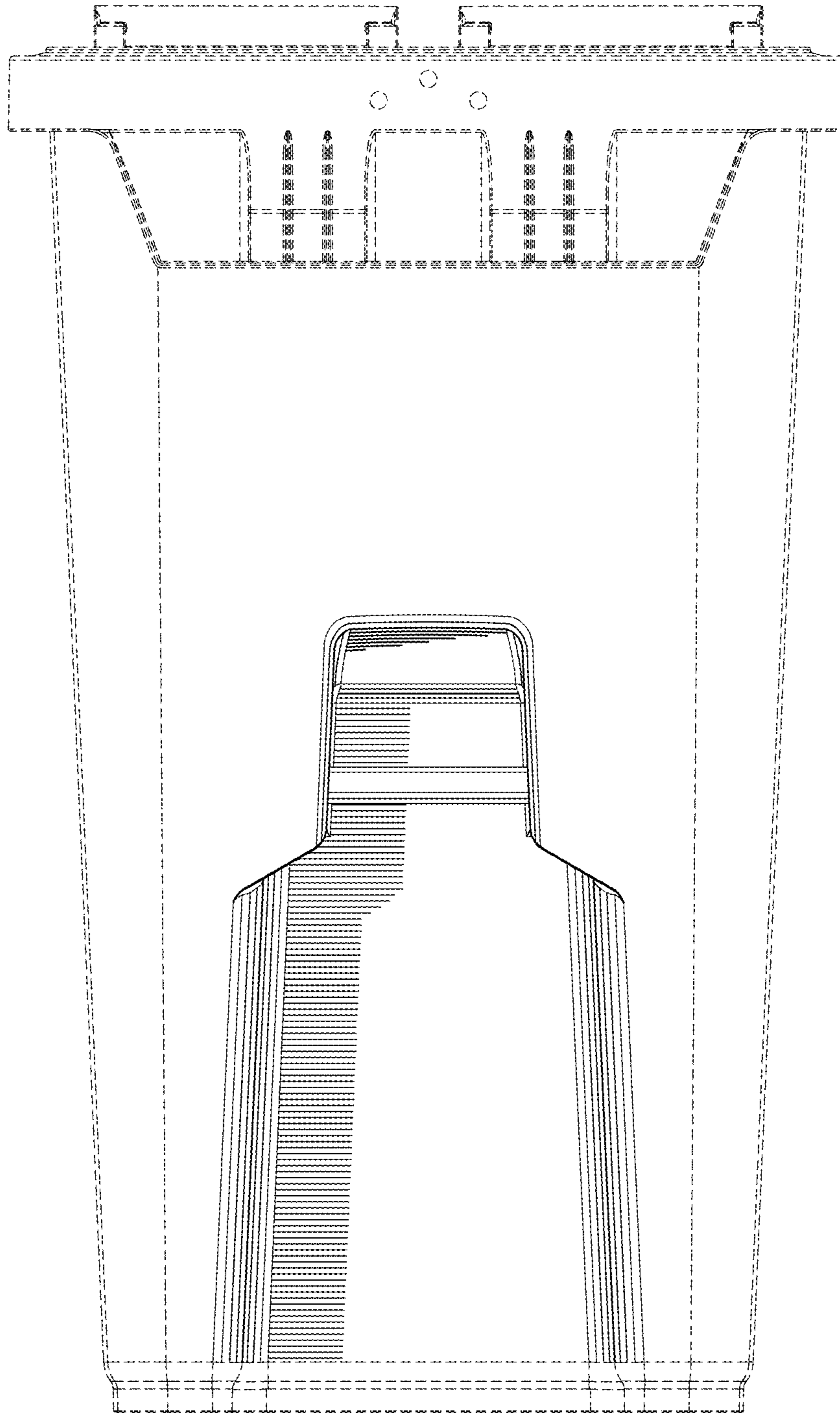


FIG. 2

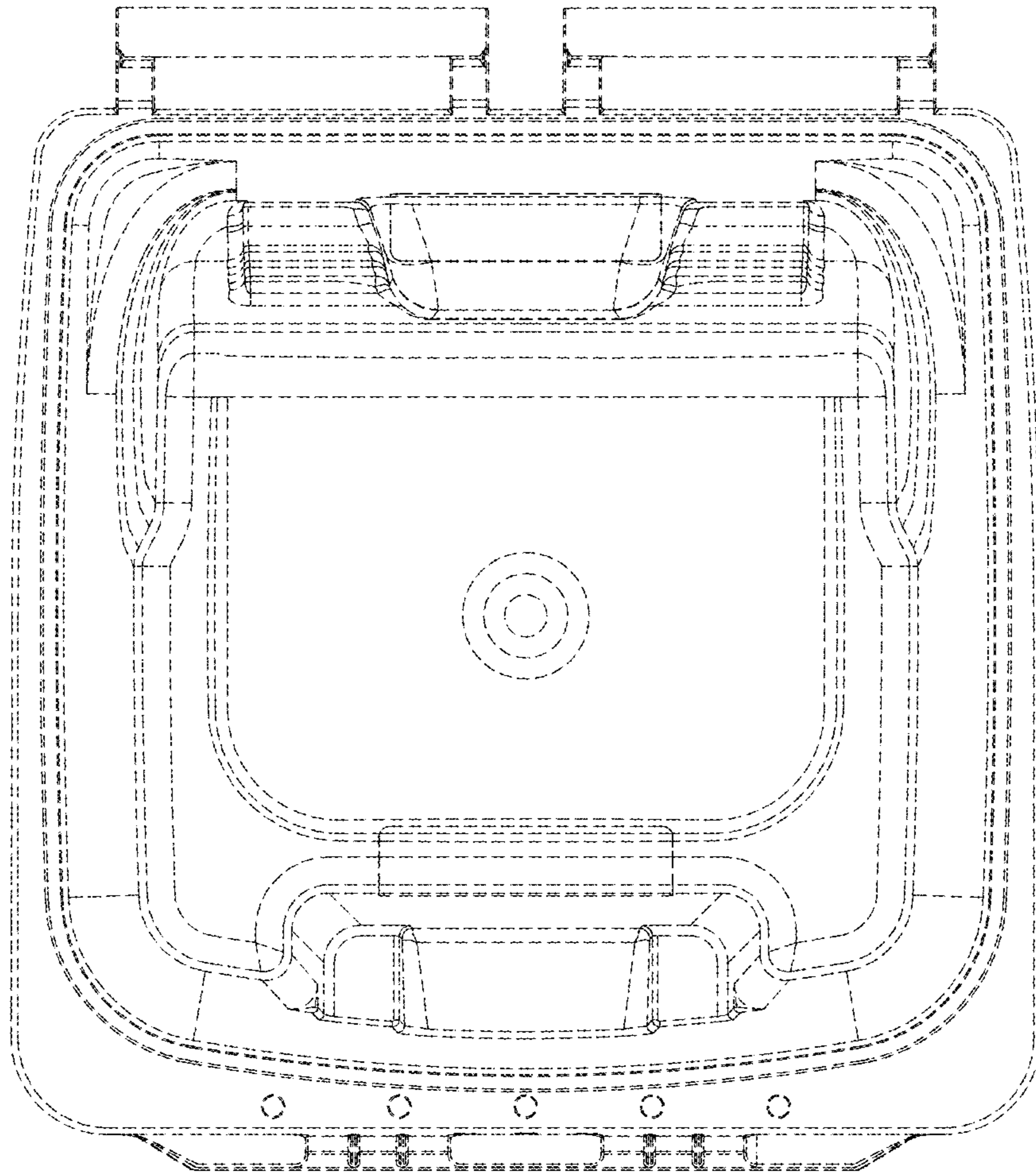


FIG. 3

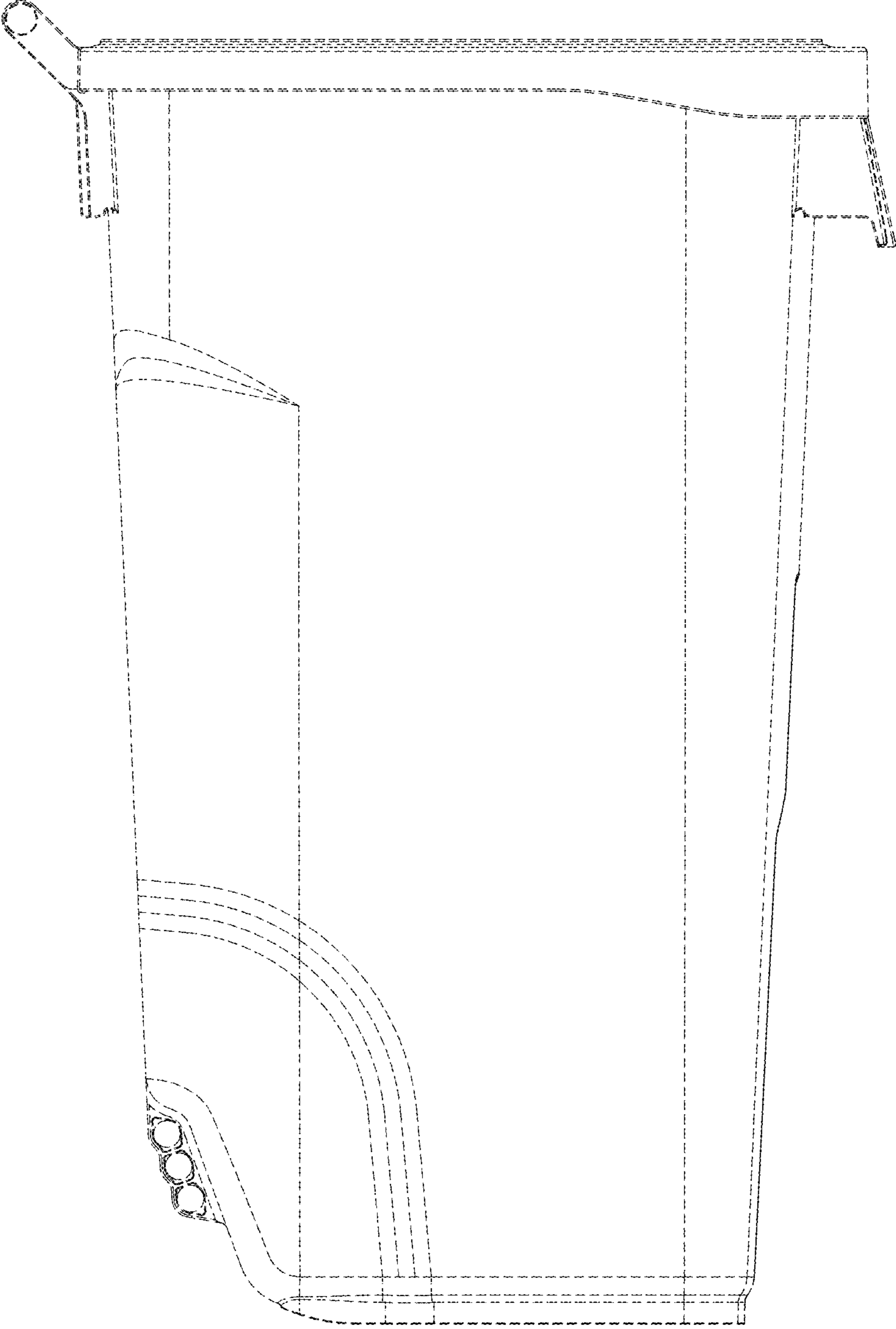


FIG. 4

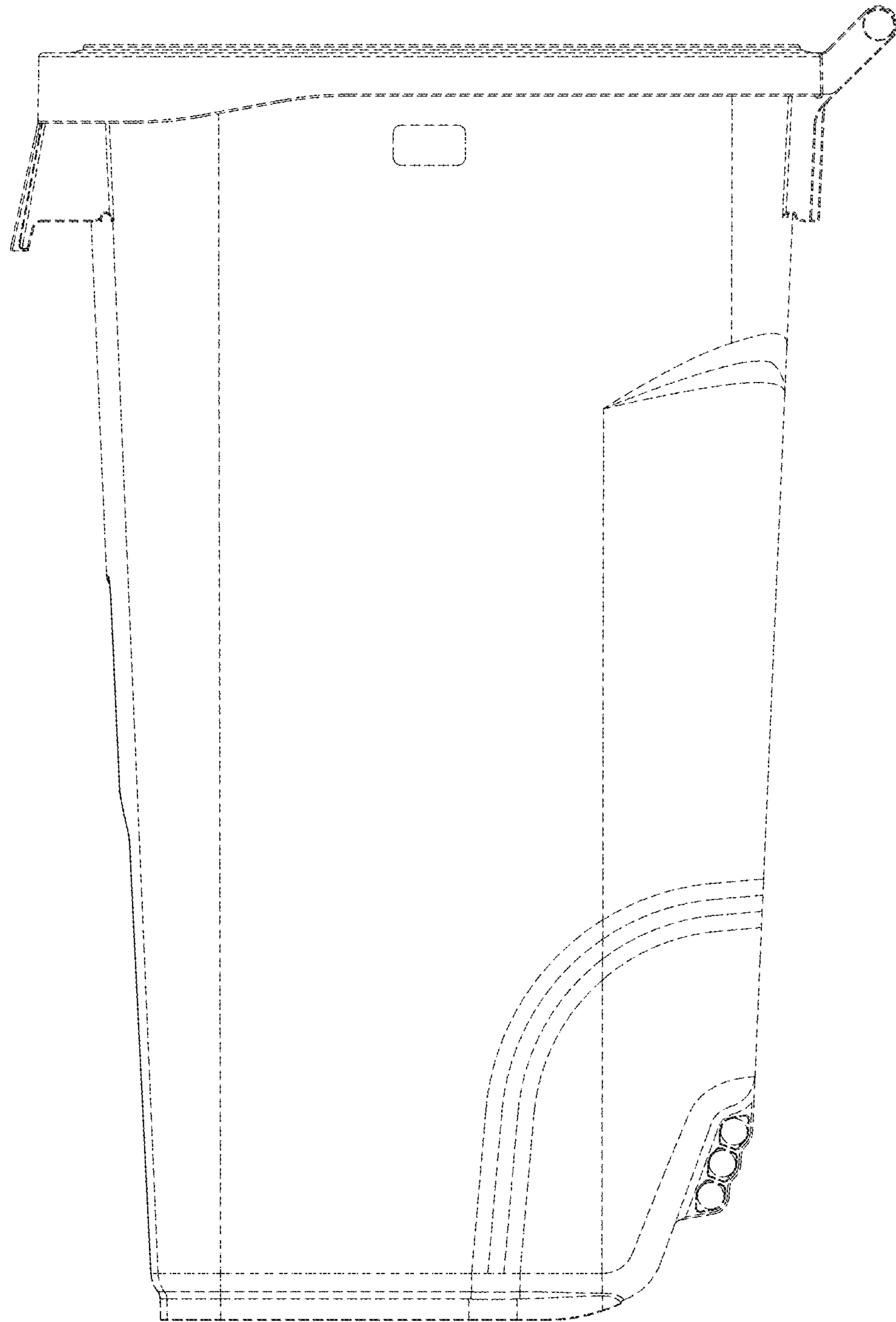


FIG. 5

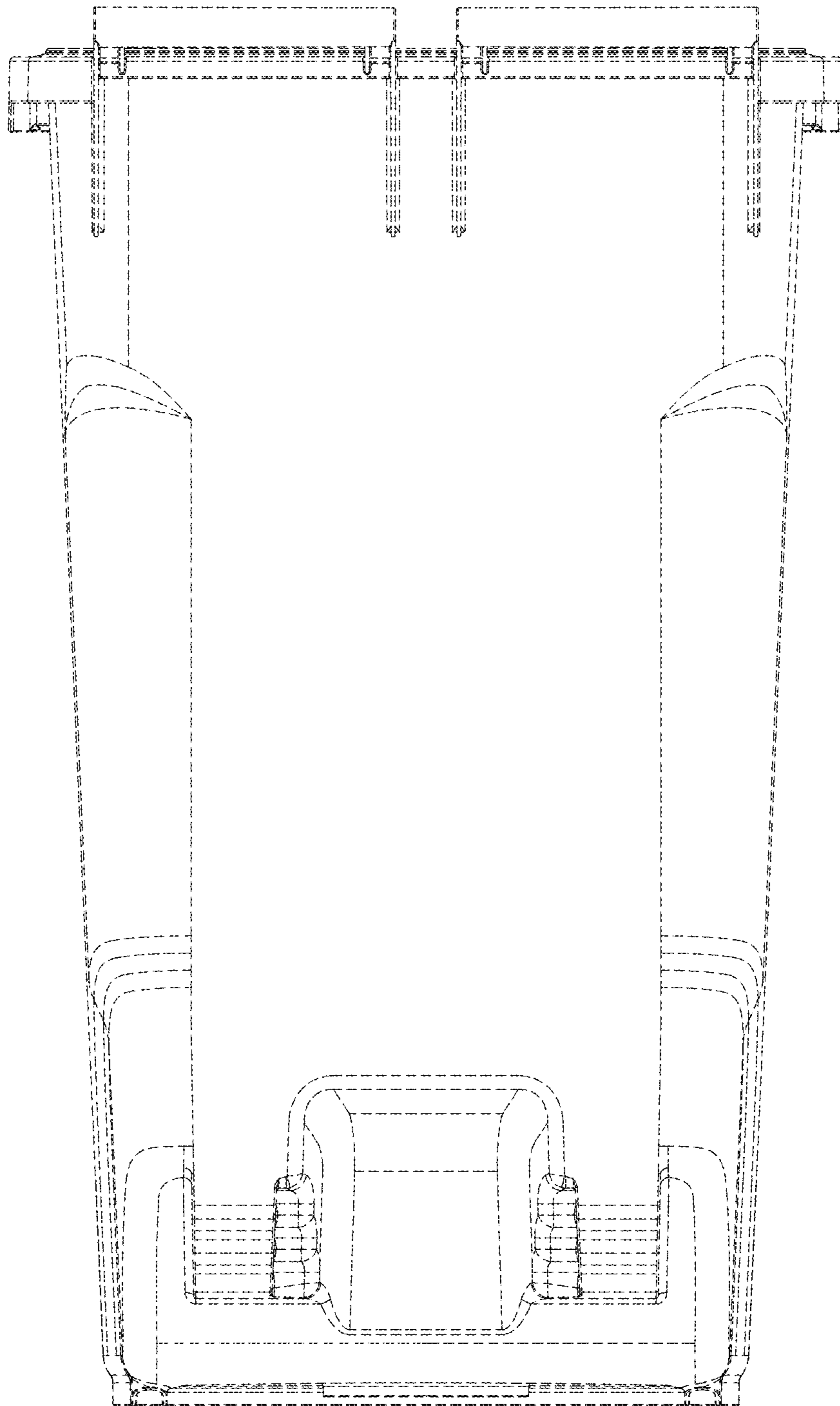


Fig. 6

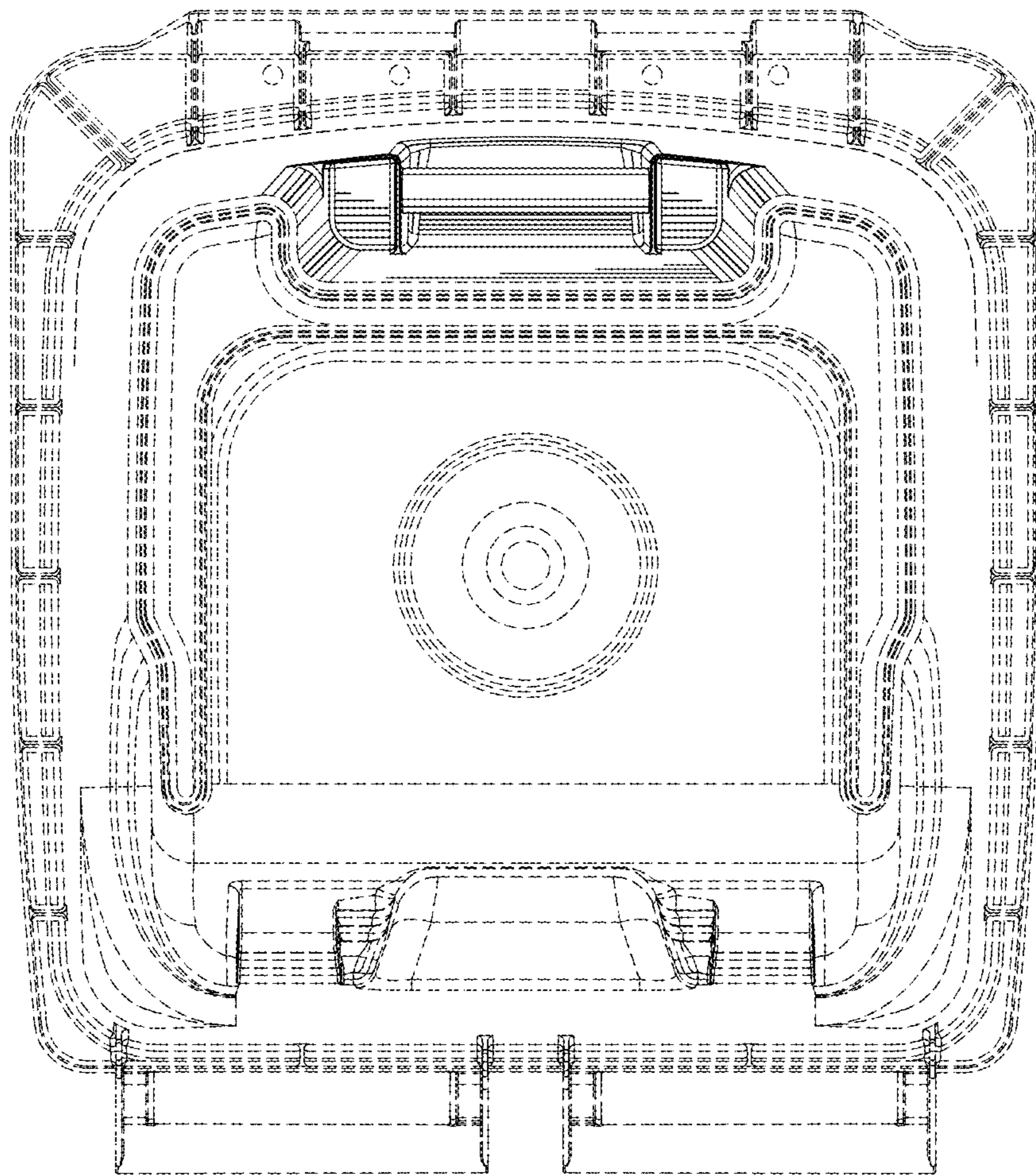


FIG. 7