



US00D826504S

(12) **United States Design Patent**
Garcia et al.

(10) **Patent No.:** **US D826,504 S**

(45) **Date of Patent:** **** Aug. 21, 2018**

(54) **RECEPTACLE FOR DEBRIS COLLECTION**

(71) Applicants: **Gualberto Garcia**, North Hills, CA
(US); **Alfredo Sandoval**, Canoga Park,
CA (US)

(72) Inventors: **Gualberto Garcia**, North Hills, CA
(US); **Alfredo Sandoval**, Canoga Park,
CA (US)

(**) Term: **15 Years**

(21) Appl. No.: **29/620,403**

(22) Filed: **Nov. 18, 2016**

(51) **LOC (11) Cl.** **07-05**

(52) **U.S. Cl.**
USPC **D32/74; D34/1**

(58) **Field of Classification Search**
USPC D34/1, 5, 6; D32/74, 41; D7/691, 688;
D4/116; 15/257.5, 257.3, 257.2, 257.1
CPC A47L 13/52; A47L 13/51; A46B 15/00;
A46B 15/0097; A46B 15/0095; A46B
17/04; A46B 5/00; A46B 2200/302; B65F
1/06; B65F 1/062; B65F 1/163
See application file for complete search history.

(56) **References Cited**

U.S. PATENT DOCUMENTS

6,233,781 B1 * 5/2001 Savage A47L 13/52
15/257.4
D636,139 S * 4/2011 Jones D32/74

D739,107 S * 9/2015 Brandon D32/53
D740,508 S * 10/2015 Brandon D32/53
D769,563 S * 10/2016 Garcia D32/74
D802,865 S * 11/2017 Dervin D34/10
2015/0274416 A1 * 10/2015 Garcia B65F 1/02
220/200

* cited by examiner

Primary Examiner — Cynthia Ramirez

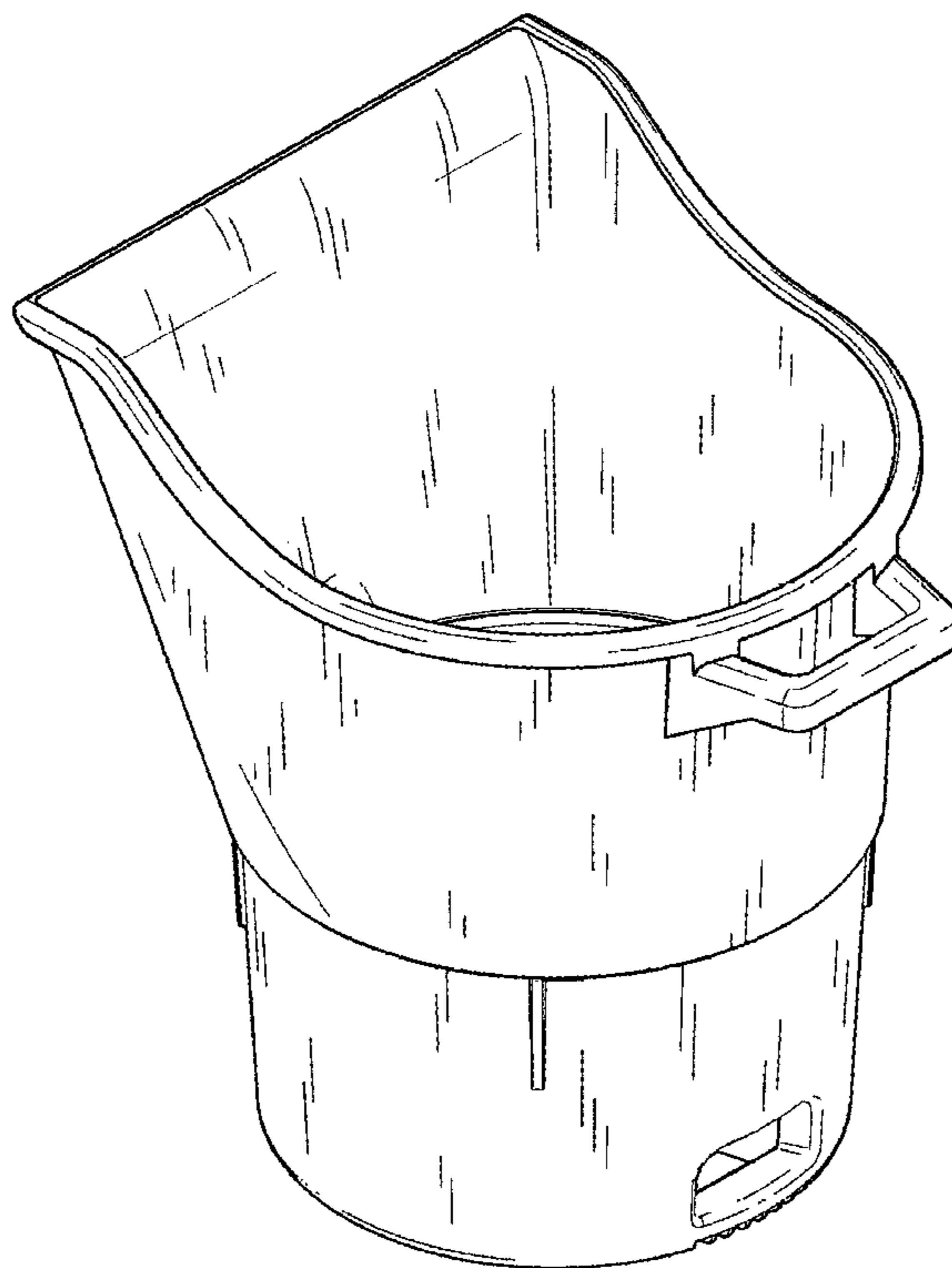
(57) **CLAIM**

The ornamental design for a receptacle for debris collection,
as shown and described.

DESCRIPTION

FIG. 1 is a top perspective view of the receptacle for debris
collection showing our new design;
FIG. 2 is another perspective view thereof;
FIG. 3 is a front elevational view thereof;
FIG. 4 is a rear elevational view thereof;
FIG. 5 is a right side elevational view; the left side eleva-
tional view being a mirror image thereof;
FIG. 6 is a top plan view thereof;
FIG. 7 is a bottom plan view thereof; and,
FIG. 8 is a perspective view of the interior bottom of the
embodiment taken from lines X-X shown in FIG. 5.

1 Claim, 8 Drawing Sheets



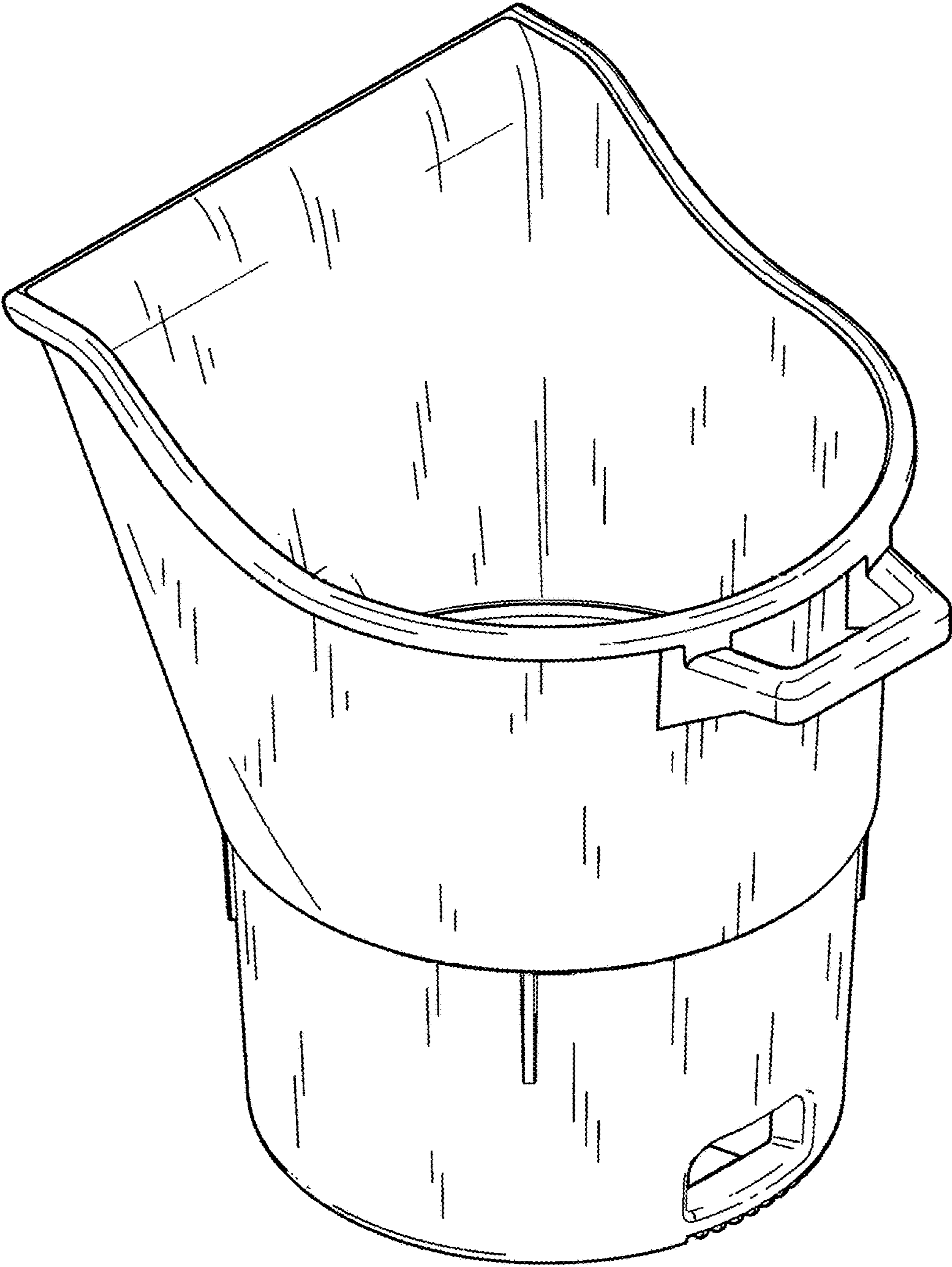


FIG. 1

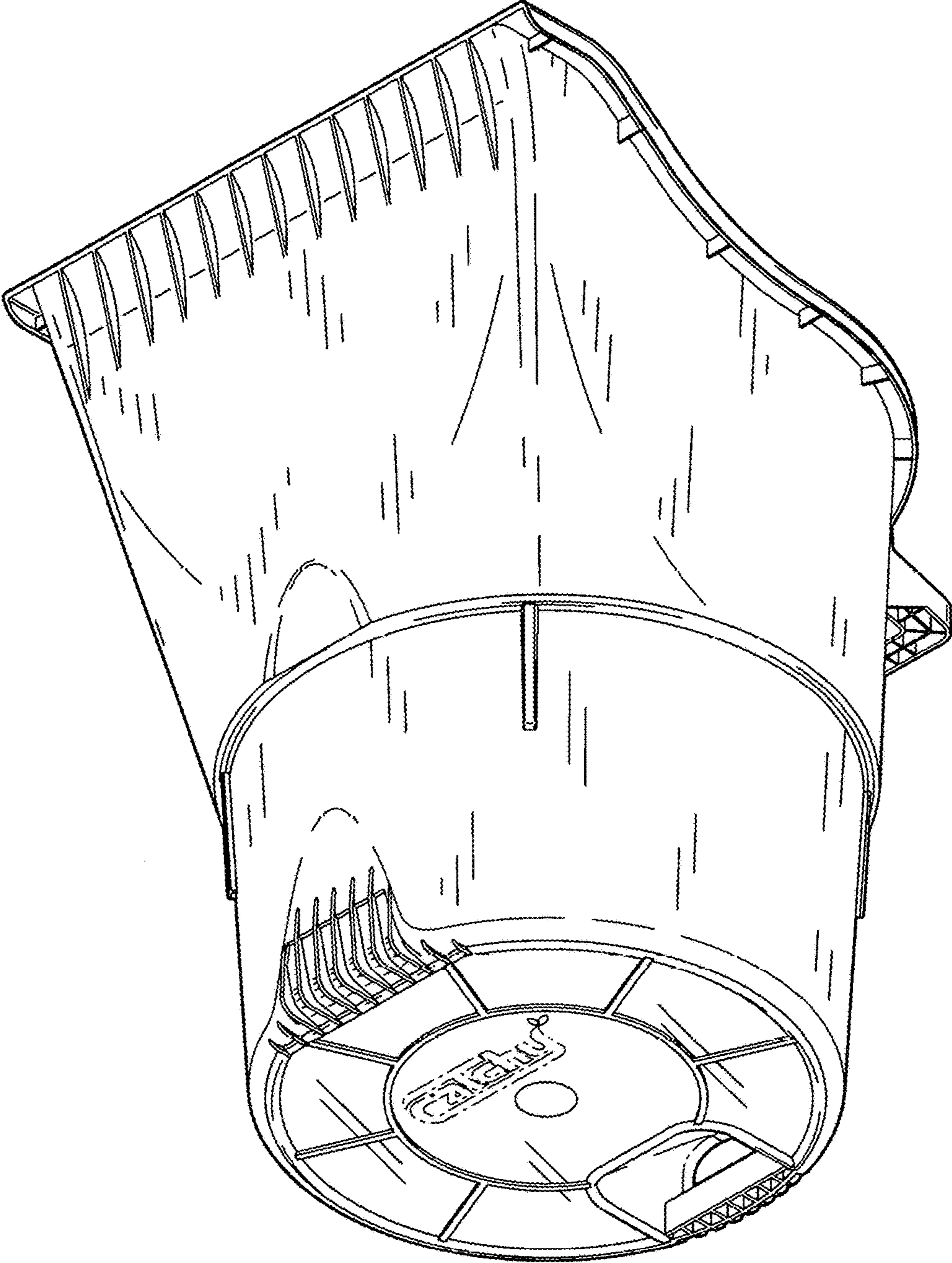


FIG. 2

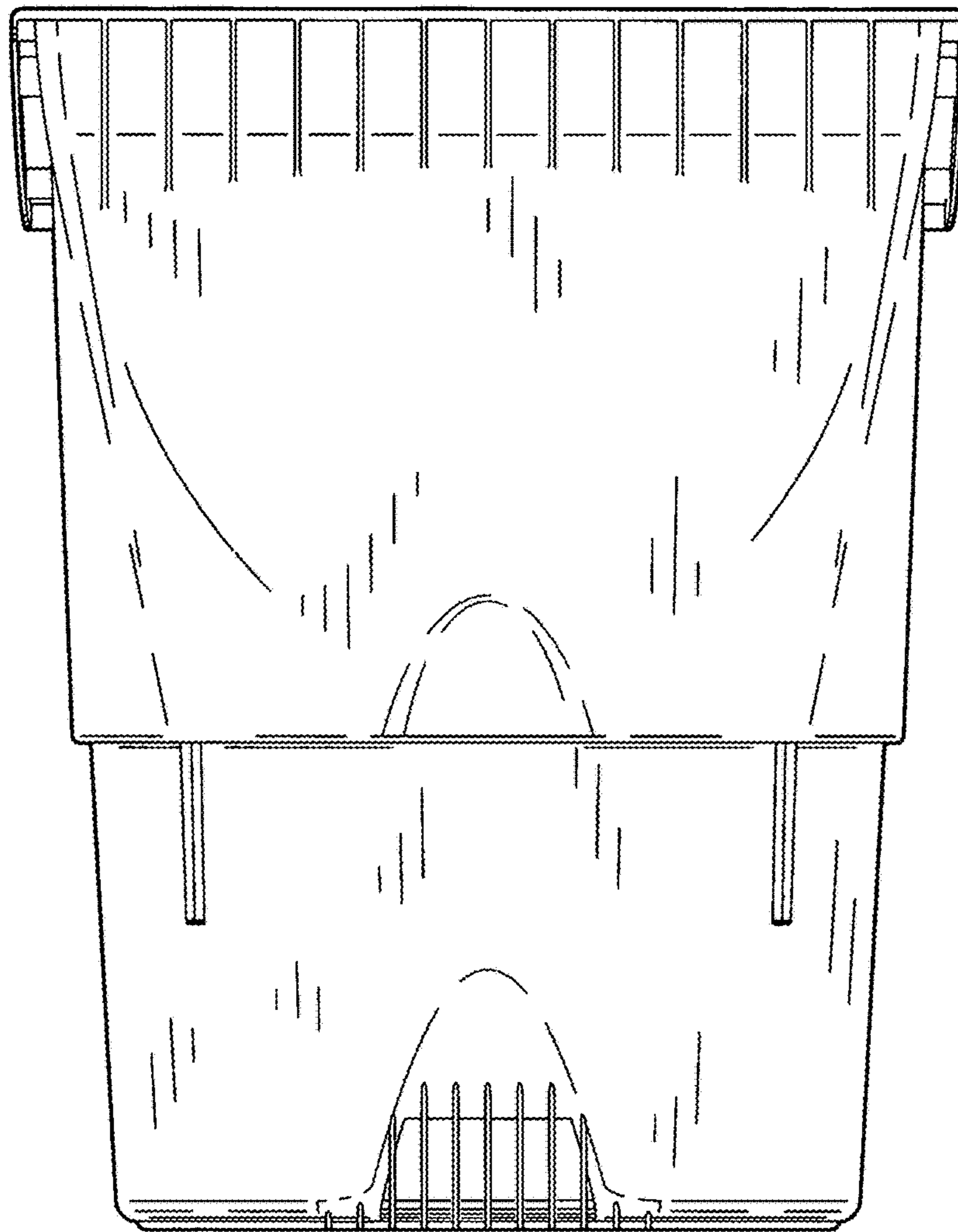


FIG. 3

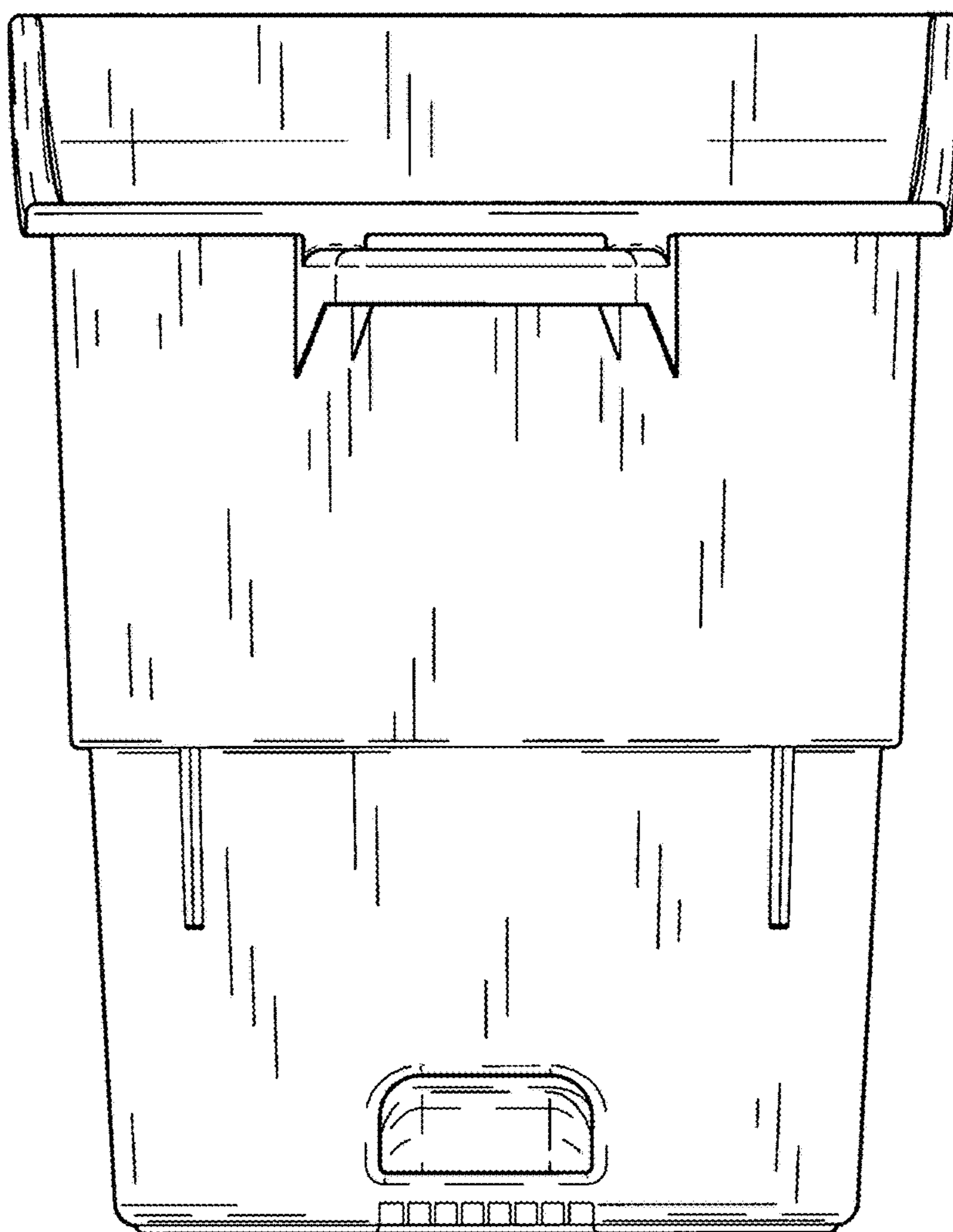


FIG. 4

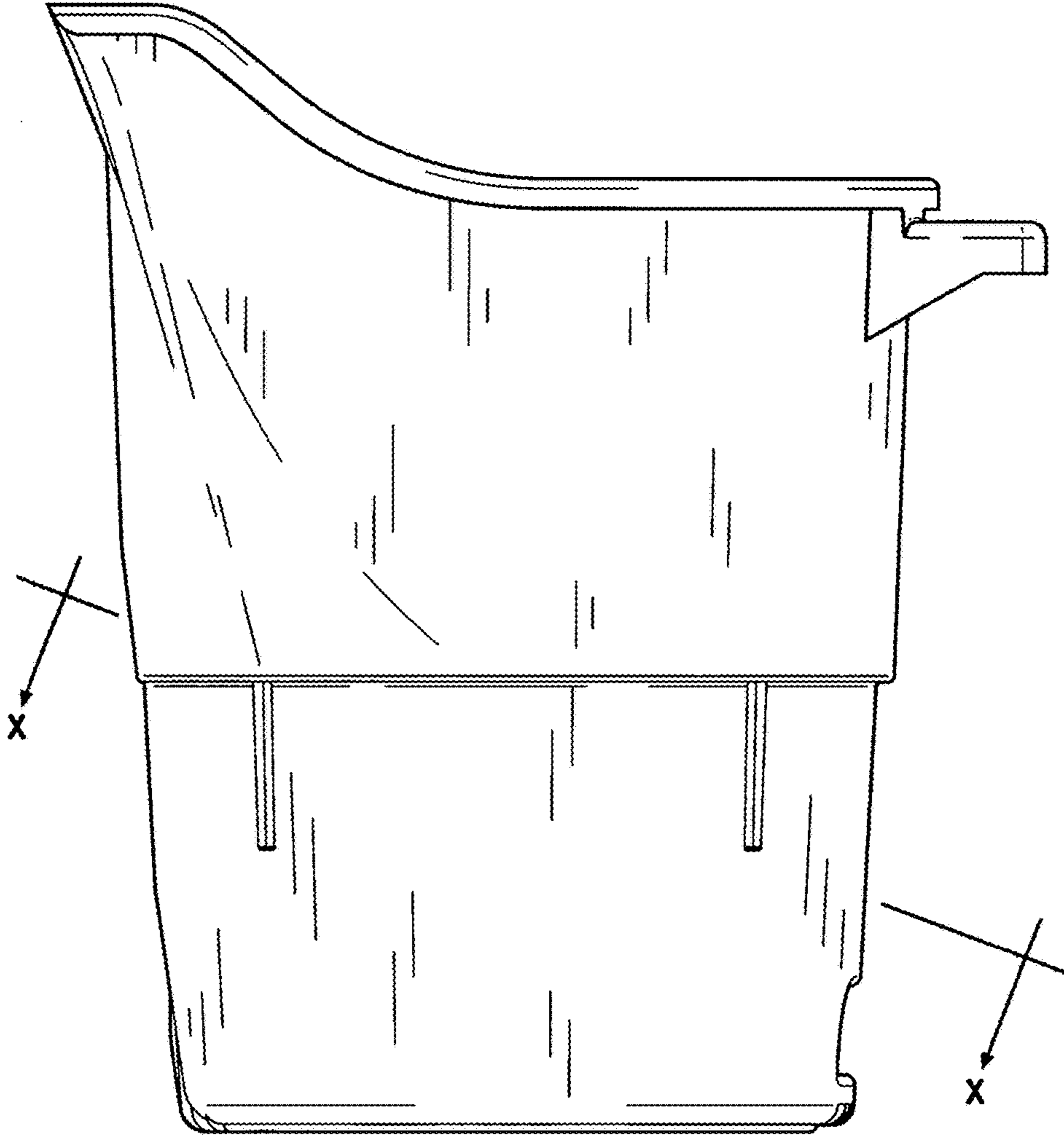


FIG. 5

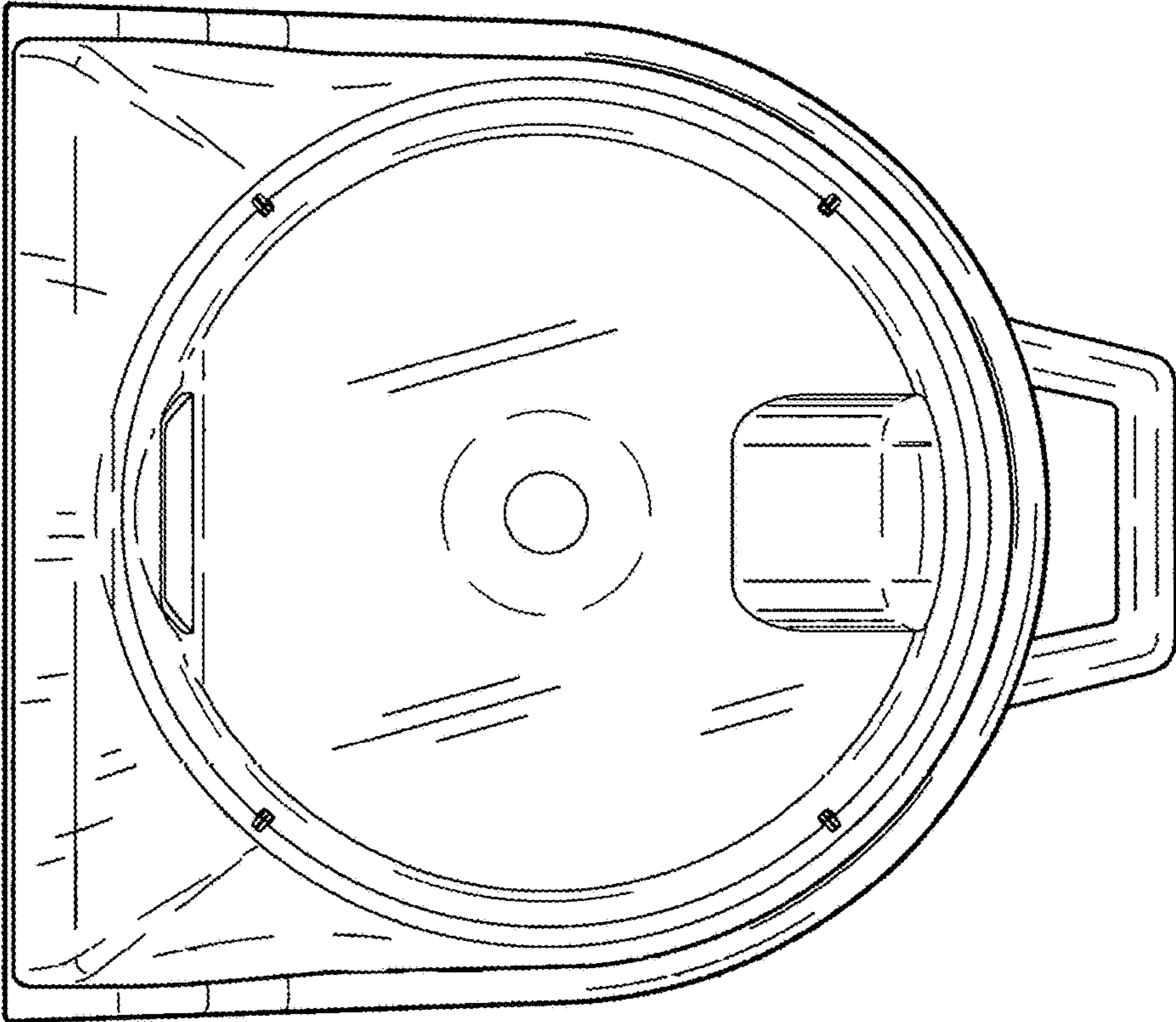


FIG. 6

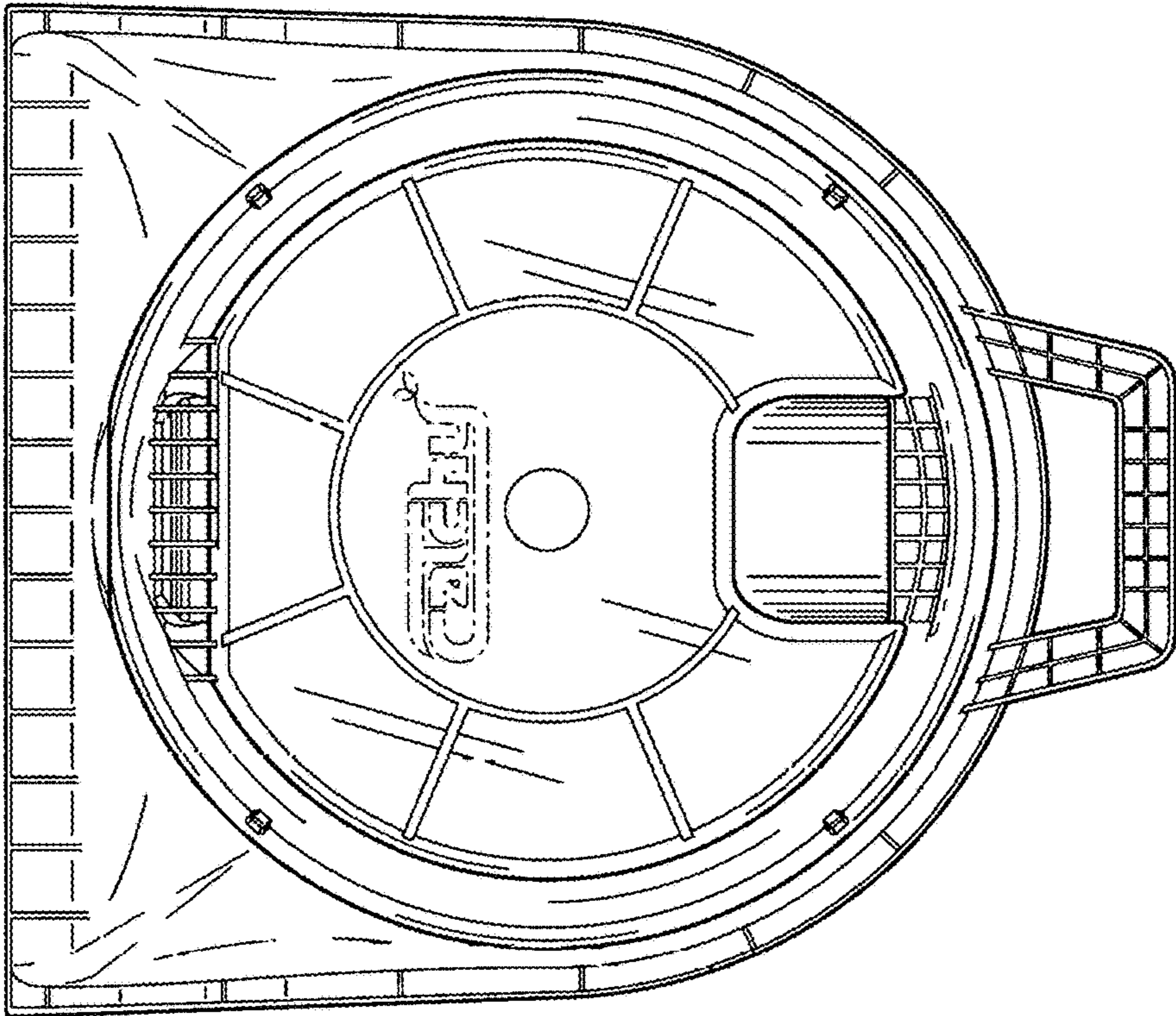


FIG. 7

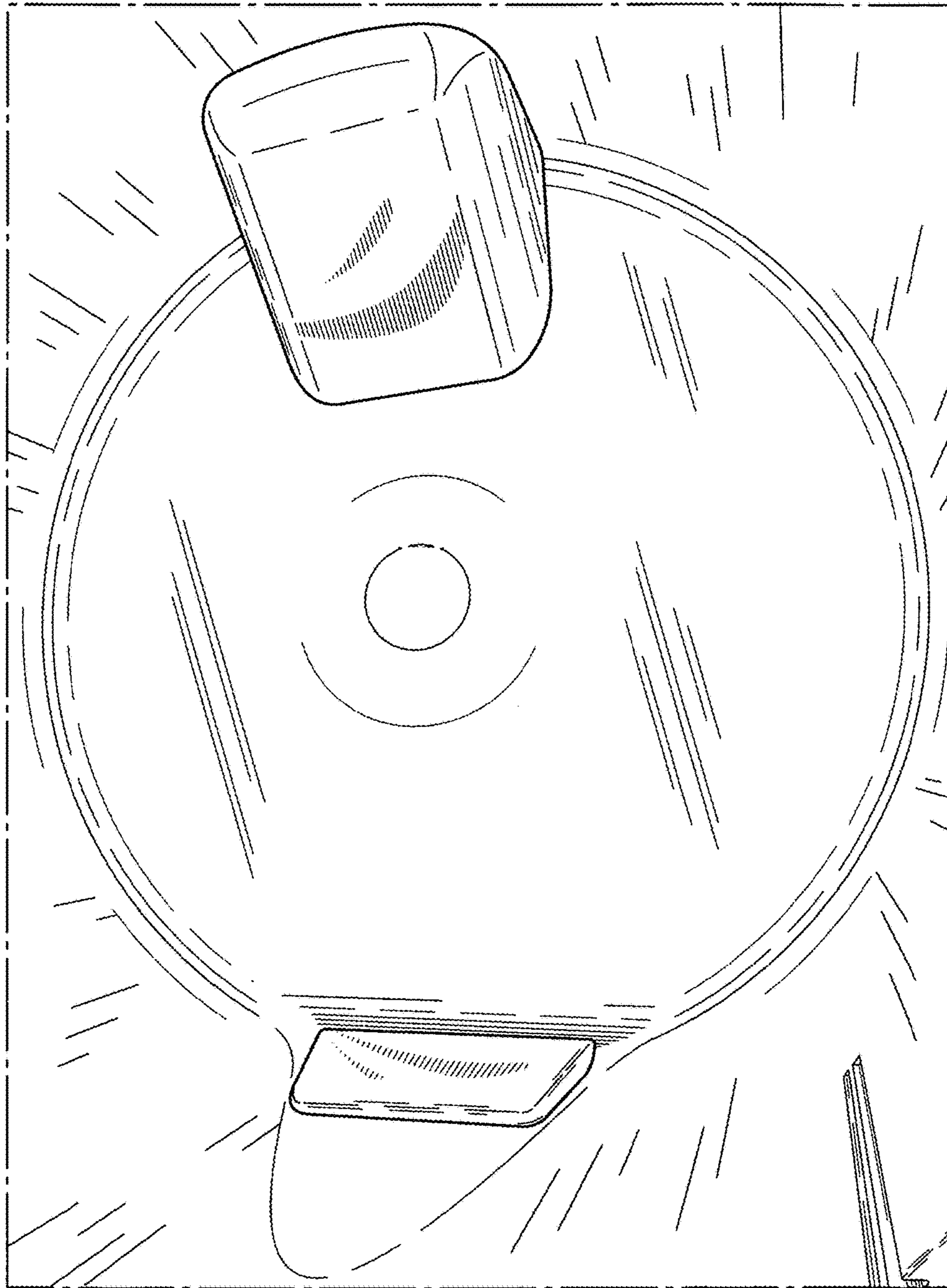


FIG. 8