



US00D826503S

(12) **United States Design Patent** (10) **Patent No.:** **US D826,503 S**  
**Dobson, III et al.** (45) **Date of Patent:** **\*\* \*Aug. 21, 2018**

(54) **DUSTPAN**  
(71) Applicant: **WISP Industries, Inc.**, San Marcos, CA (US)  
(72) Inventors: **Eben W. Dobson, III**, San Marcos, CA (US); **Lawrence Thad Levine**, Easton, CT (US); **Harvey Levine**, Fairfield, CT (US)

776,981 A 12/1904 Amsden  
851,441 A 4/1907 Robinson  
948,641 A 2/1910 Bailey  
952,301 A 3/1910 Brakeman  
1,475,479 A 11/1923 Feth  
1,659,461 A 2/1928 Curran  
1,940,546 A 12/1933 Hower

(Continued)

FOREIGN PATENT DOCUMENTS

(73) Assignee: **WISP Industries, Inc.**, San Marcos, CA (US)

CN 3422273D 2/2005  
CN 3638666 5/2007

(Continued)

(\*) Notice: This patent is subject to a terminal disclaimer.

OTHER PUBLICATIONS

(\*\*) Term: **15 Years**

Amazon.com—WISP, Best Broom for Hardwood Floors 90 Degree Angled Broom & Dust Pan, online, review date 2015, [http://www.amazon.com/WISP-Hardwood-Bristle-Technology-Telescoping/dp/B017-ACNP98/ref=cm\\_cr\\_arp\\_d\\_product\\_top?ie=UTF8](http://www.amazon.com/WISP-Hardwood-Bristle-Technology-Telescoping/dp/B017-ACNP98/ref=cm_cr_arp_d_product_top?ie=UTF8), site visited Mar. 8, 2016.

(21) Appl. No.: **29/602,610**

(22) Filed: **May 2, 2017**

(51) **LOC (11) Cl.** ..... **07-05**

(52) **U.S. Cl.**  
USPC ..... **D32/74**

(58) **Field of Classification Search**  
USPC ..... D32/74, 41; D30/162; D7/691, 688; D4/116; 15/257.5, 257.3, 257.2, 257.1; 134/6  
CPC ..... A47L 13/52; A47L 13/51; A46B 15/00; A46B 15/0097; A46B 15/0095; A46B 17/04; A46B 5/00; A46B 2200/302

See application file for complete search history.

*Primary Examiner* — Austin Murphy  
(74) *Attorney, Agent, or Firm* — San Diego IP Law Group LLP; Trevor Coddington

(57) **CLAIM**

We claim the ornamental design for a dustpan, as shown and described.

**DESCRIPTION**

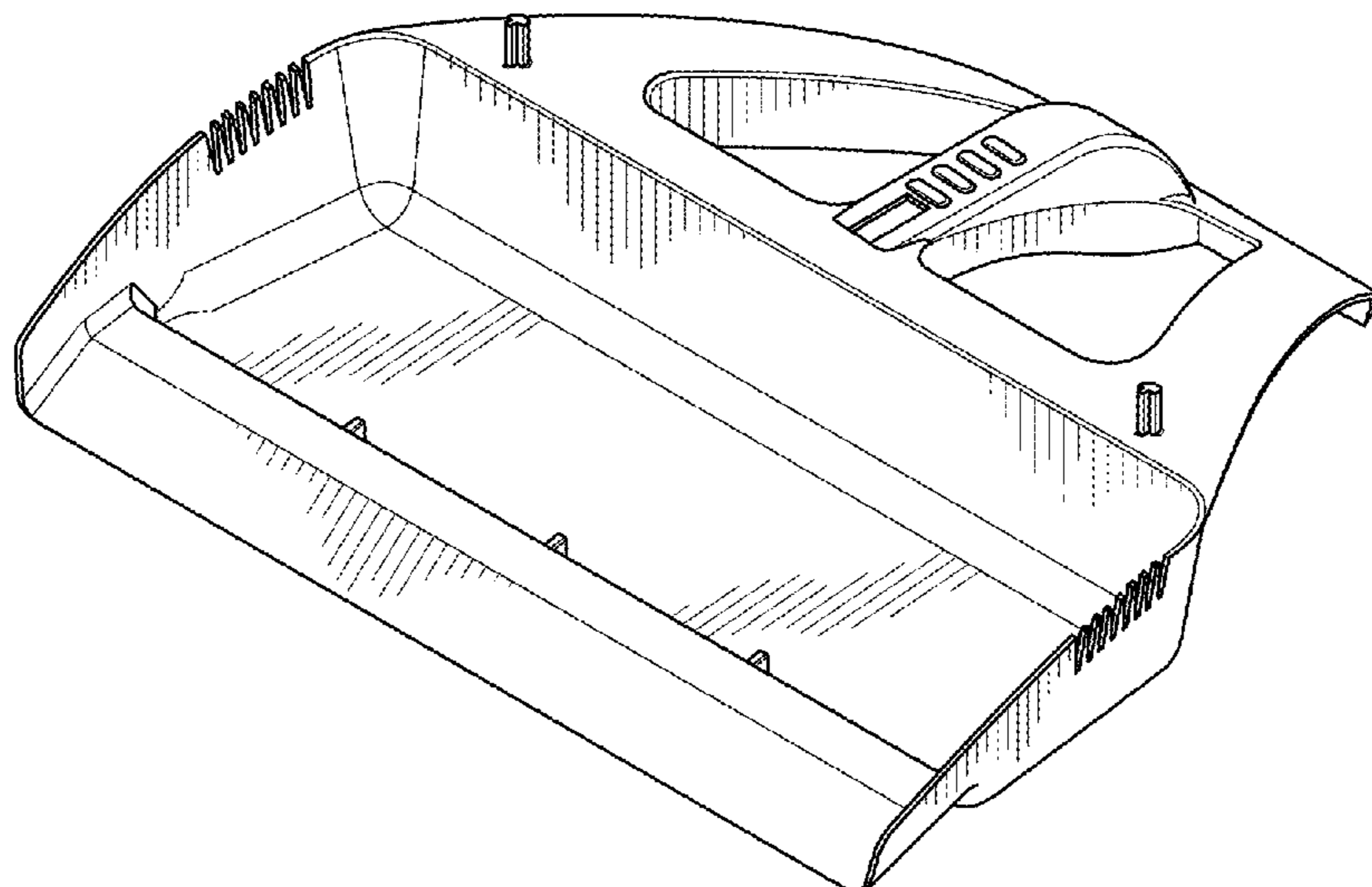
(56) **References Cited**

U.S. PATENT DOCUMENTS

57,703 A 9/1866 Grant  
422,240 A 2/1890 Marshall  
626,843 A 6/1899 Richardson  
657,243 A 9/1900 Leib  
735,360 A 8/1903 Furrow  
735,565 A 8/1903 McCarthy

FIG. 1 is a perspective view of the dustpan according to an embodiment of the invention;  
FIG. 2 is a front view of the dustpan as shown in FIG. 1;  
FIG. 3 is a rear view of the dustpan as shown in FIG. 1;  
FIG. 4 is a side view of the dustpan as shown in FIG. 1;  
FIG. 5 is a top view of the dustpan as shown in FIG. 1; and,  
FIG. 6 is a bottom view of the dustpan as shown in FIG. 1.

**1 Claim, 3 Drawing Sheets**



(56)

References Cited

U.S. PATENT DOCUMENTS

2,044,595 A 6/1936 Schumann  
 2,090,412 A 8/1937 Geiger  
 2,262,334 A 11/1941 Rugaard  
 2,264,736 A 12/1941 Baker  
 2,452,177 A 10/1948 Bodimer  
 2,648,860 A 8/1953 Le Febvre  
 2,651,924 A 9/1953 Lawrence  
 2,694,880 A 11/1954 Artese et al.  
 2,730,739 A 1/1956 Artese et al.  
 D180,303 S 5/1957 Timmons  
 2,799,037 A 7/1957 Grogan  
 2,896,241 A 7/1959 Cotman  
 3,056,992 A 10/1962 Clough  
 3,349,422 A 10/1967 Heil  
 3,398,420 A 8/1968 Manning  
 3,999,243 A 12/1976 LaPour  
 4,287,632 A 9/1981 Hammond  
 D262,671 S 1/1982 Erickson  
 D270,971 S 10/1983 Stevens et al.  
 4,422,203 A 12/1983 Zenker  
 4,553,282 A 11/1985 Batchelor  
 4,794,663 A 1/1989 Vosbikian  
 4,882,802 A 11/1989 Levere, Jr.  
 5,001,802 A 3/1991 Humphrey  
 D343,298 S 1/1994 Joyner et al.  
 D343,562 S 1/1994 Nilson  
 D359,853 S 7/1995 Haug  
 D373,024 S 8/1996 Shepherd  
 D376,911 S 12/1996 Zigelboim  
 D383,268 S 9/1997 Uranga  
 D384,458 S 9/1997 Schroeck  
 D397,875 S 9/1998 Barrett  
 D398,115 S \* 9/1998 Footer ..... D32/74  
 5,826,297 A \* 10/1998 Footer ..... A47L 13/52  
 15/257.2  
 D402,780 S 12/1998 Alt  
 D406,420 S 3/1999 Sin  
 D409,343 S 5/1999 Kingry  
 D409,461 S 5/1999 Kiefer  
 D411,920 S 7/1999 Vosbikian et al.  
 5,943,727 A 8/1999 Freer  
 D421,681 S 3/2000 Breen  
 D424,263 S 5/2000 Canni Ferrari  
 D426,353 S 6/2000 Renforth  
 D427,739 S \* 7/2000 Demore ..... D32/74  
 6,088,868 A 7/2000 Cerveny  
 D429,892 S 8/2000 Wolfenden  
 6,134,739 A 10/2000 Gonzalez  
 D435,734 S 1/2001 Wolfenden  
 6,249,930 B1 6/2001 Noggle  
 6,282,745 B1 9/2001 All  
 6,336,240 B1 1/2002 Laux  
 6,393,646 B1 5/2002 Beers, Jr. et al.  
 D459,091 S 6/2002 Cesak  
 D462,529 S 9/2002 Best et al.  
 D466,262 S \* 11/2002 Chemtob ..... D32/74  
 D468,879 S \* 1/2003 Perelli ..... D32/74  
 D470,289 S \* 2/2003 Petner ..... D32/74  
 D472,716 S 4/2003 Hay  
 D473,057 S 4/2003 Chan  
 6,625,837 B2 9/2003 Jiang  
 D484,287 S 12/2003 Murphy et al.  
 6,698,058 B2 3/2004 Cann  
 6,733,056 B2 5/2004 Daniele  
 D492,489 S \* 7/2004 Hay ..... D32/74  
 D493,265 S 7/2004 Libman et al.  
 D499,555 S 12/2004 Molek et al.  
 D508,760 S \* 8/2005 Berti ..... D32/74  
 D513,128 S 12/2005 Hay  
 D515,262 S 2/2006 Hay  
 7,047,907 B1 5/2006 Johnston  
 D537,255 S 2/2007 Berti  
 D544,668 S 6/2007 Harper  
 D548,415 S 8/2007 Libman  
 D564,163 S 3/2008 Bar-Noy

D572,013 S 7/2008 Weis et al.  
 D572,014 S 7/2008 Weis  
 D581,618 S 11/2008 Soller  
 D587,417 S 2/2009 Sartori et al.  
 D594,618 S 6/2009 Sekercioglu  
 D599,073 S \* 8/2009 Caleca ..... D32/74  
 7,587,780 B2 9/2009 Pfister  
 D601,769 S \* 10/2009 Cox ..... D32/74  
 D602,214 S \* 10/2009 Petersen ..... D30/162  
 D602,657 S \* 10/2009 Petersen ..... D30/162  
 7,600,287 B1 10/2009 Moore et al.  
 D604,919 S 11/2009 Meyer  
 D615,267 S 5/2010 McNeil et al.  
 7,748,074 B2 7/2010 Guizzi  
 D621,622 S 8/2010 Giacolo et al.  
 D630,401 S 1/2011 Libman et al.  
 D630,402 S 1/2011 Wang  
 D633,674 S 3/2011 Franklin  
 D636,139 S \* 4/2011 Jones ..... D32/74  
 D636,957 S 4/2011 Raven  
 D643,985 S 8/2011 Dedrick  
 D647,675 S 10/2011 Lee  
 D667,192 S \* 9/2012 Libman ..... D32/74  
 8,291,538 B2 10/2012 Yang  
 D673,340 S \* 12/2012 Dobson, III ..... D32/74  
 D684,331 S \* 6/2013 Vasilakes ..... D32/74  
 D685,547 S 7/2013 Vasilakes  
 D687,204 S \* 7/2013 Vasilakes ..... D32/74  
 D711,609 S \* 8/2014 Libman ..... D32/74  
 D720,905 S 1/2015 Lentine  
 D720,909 S \* 1/2015 Vasilakes ..... D32/74  
 D730,006 S \* 5/2015 Dobson, III ..... D32/74  
 D769,563 S \* 10/2016 Garcia ..... D32/74  
 D784,646 S \* 4/2017 Baker ..... D32/74  
 2002/0042962 A1 4/2002 Willman  
 2002/0092105 A1 7/2002 Laux  
 2002/0124341 A1 9/2002 Cesak  
 2003/0110584 A1 6/2003 Clare  
 2004/0141797 A1 7/2004 Garabedian  
 2004/0163194 A1 8/2004 Wang  
 2006/0280546 A1 12/2006 Dyer  
 2007/0089255 A1 4/2007 Michelson  
 2007/0266510 A1 11/2007 Weaver  
 2009/0183326 A1 7/2009 Sorgente  
 2010/0218327 A1 9/2010 Chen  
 2011/0047733 A1 3/2011 Jiang  
 2011/0154602 A1 6/2011 Chen  
 2011/0239389 A1 10/2011 Ting  
 2011/0271472 A1 11/2011 Yang  
 2012/0090122 A1 4/2012 Lin  
 2012/0233794 A1 9/2012 Yu  
 2012/0311805 A1 12/2012 Hasegawa  
 2013/0104328 A1 5/2013 Weaver

FOREIGN PATENT DOCUMENTS

CN 301313357 8/2010  
 GB 2150016 6/1985  
 GB 2069457 1/1998  
 JP D1423585 9/2011

OTHER PUBLICATIONS

Product: low price broom with telescoping handle supplierpedia101.net, website copyright 2016, online, <http://supplierpedia101.net/item/low-price-broom-with-telescoping-handle.html>, [site visited Mar. 1, 2016 10:40:27 PM].  
 Product: PVA mop /easy mop with telescopic handle—supplierpedia101.net, website copyright 2016, on line, <http://supplierpedia101.net/item/pva-mop-easy-mop-with-telescopic-handle.html>, site visited [Mar. 1, 2016 10:41 :31 PM].  
 Amazon.com—Libman 24" Multi-Surface Heavy Duty Push Broom, online, review date Jan. 31, 2013, [http://www.amazon.com/Libman-Multi-Surface-Heavy-Duty-Broom/dp/B001JQHVB0/ref=cm\\_cr\\_arp\\_d\\_product\\_top?ie=UTF8](http://www.amazon.com/Libman-Multi-Surface-Heavy-Duty-Broom/dp/B001JQHVB0/ref=cm_cr_arp_d_product_top?ie=UTF8), site visited Mar. 1, 2016.  
 Amazon.com—O-Cedar Power Corner Large Angle Broom—O Cedar Broom, online, review date Apr. 7, 2014, <http://www.amazon.com>.

(56)

**References Cited**

OTHER PUBLICATIONS

com/O-Cedar-Power-Corner-Large-Angle/dp/B004TR6H9I/  
ref=sr\_1\_11\_s\_it?s=hpc&ie=UTF8&qid=1456890468&sr=1-11,  
site visited Mar. 1, 2016.  
Amazon.com Clean Sweep Broom & Telescopic Handle 300mm  
head Extendable handle, review date Jul. 28, 2014, Online, [http://  
www.amazon.co.uk/Telescopic-Handle-Extendable-handle-  
1300mm/dp/B004EEH07E](http://www.amazon.co.uk/Telescopic-Handle-Extendable-handle-1300mm/dp/B004EEH07E), [site visited Mar. 2, 2016 8:35:22 PM].  
Seymour Midwest. Structron 22' Snow Roof Rake, Telescoping  
Handle, website copyright 2016, online, [http://seymourmidwest.  
com/\\_1/96032](http://seymourmidwest.com/_1/96032), [ site visited 3/2/201 6 8 :37 :36 PM].

\* cited by examiner

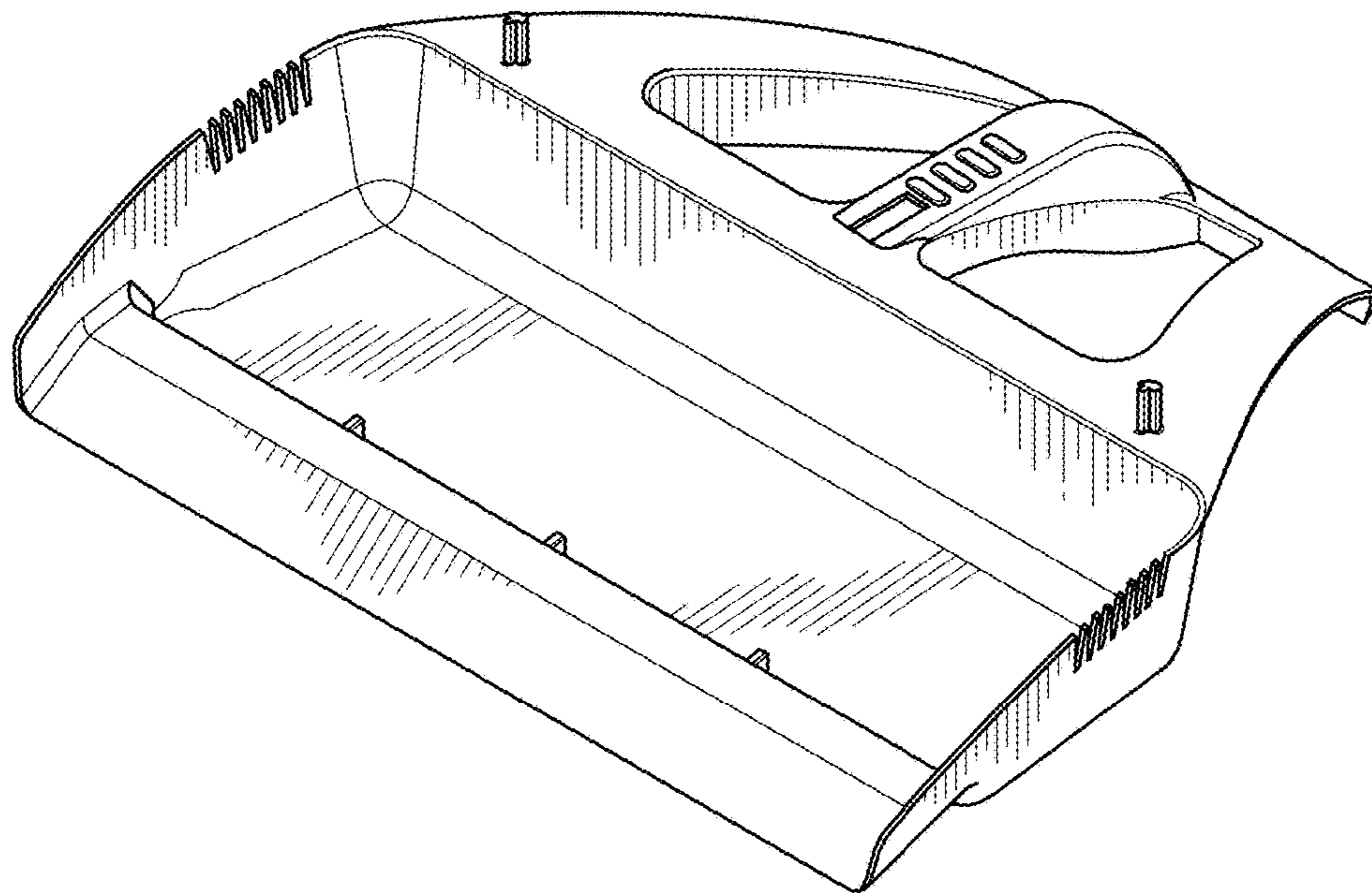


FIG. 1

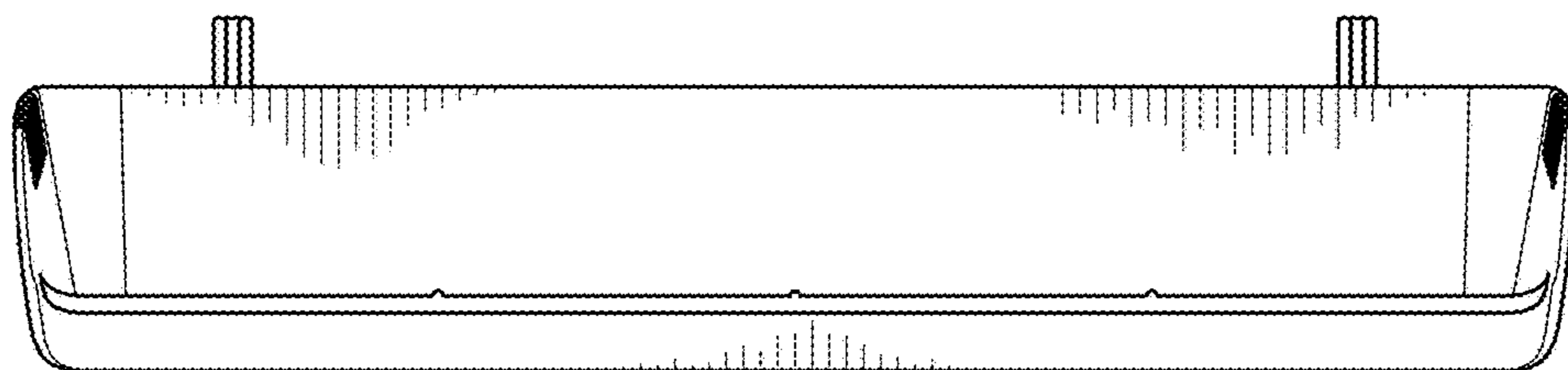


FIG. 2

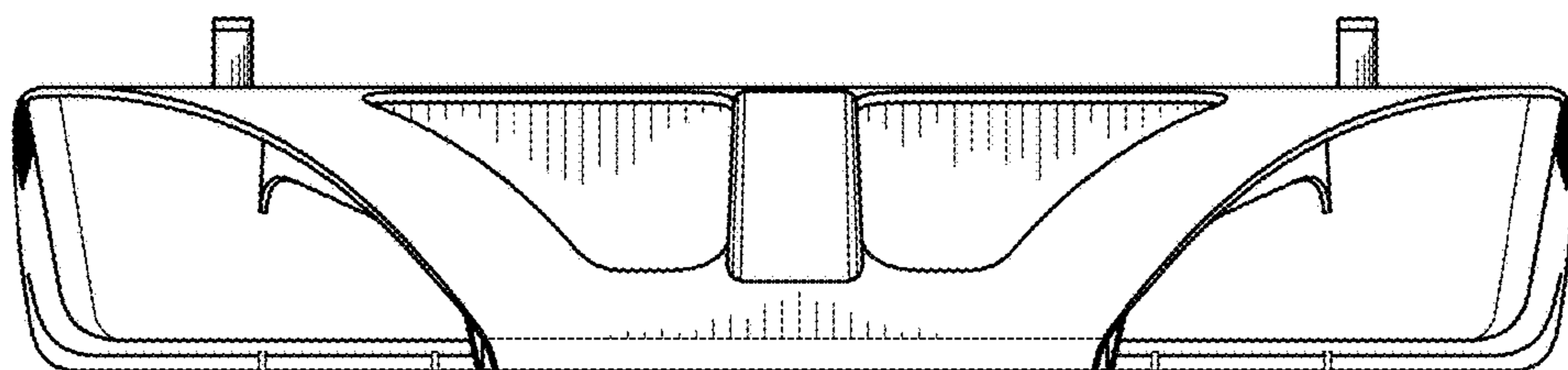


FIG. 3

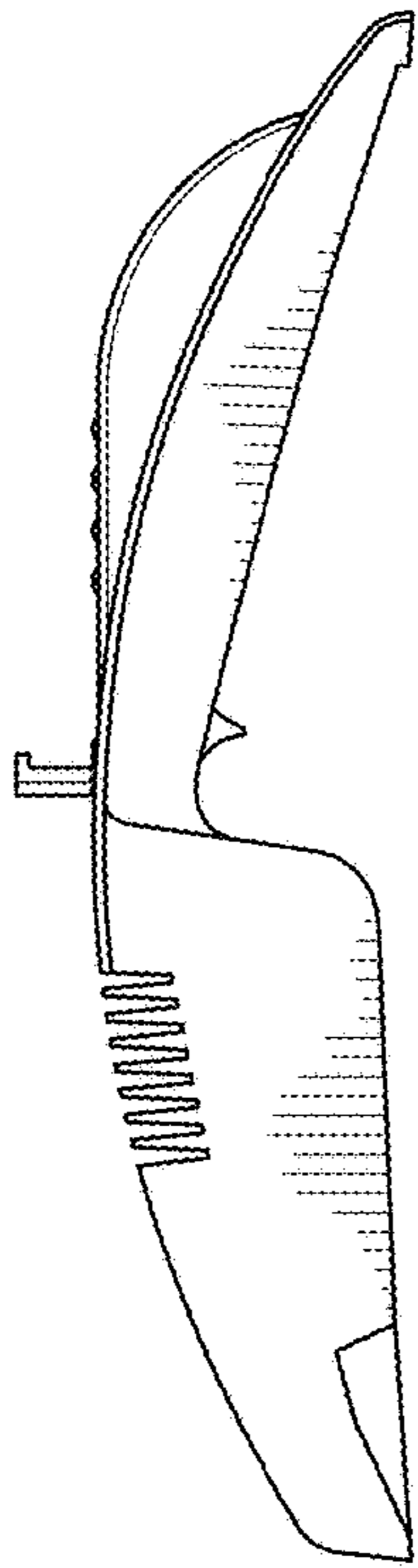


FIG. 4

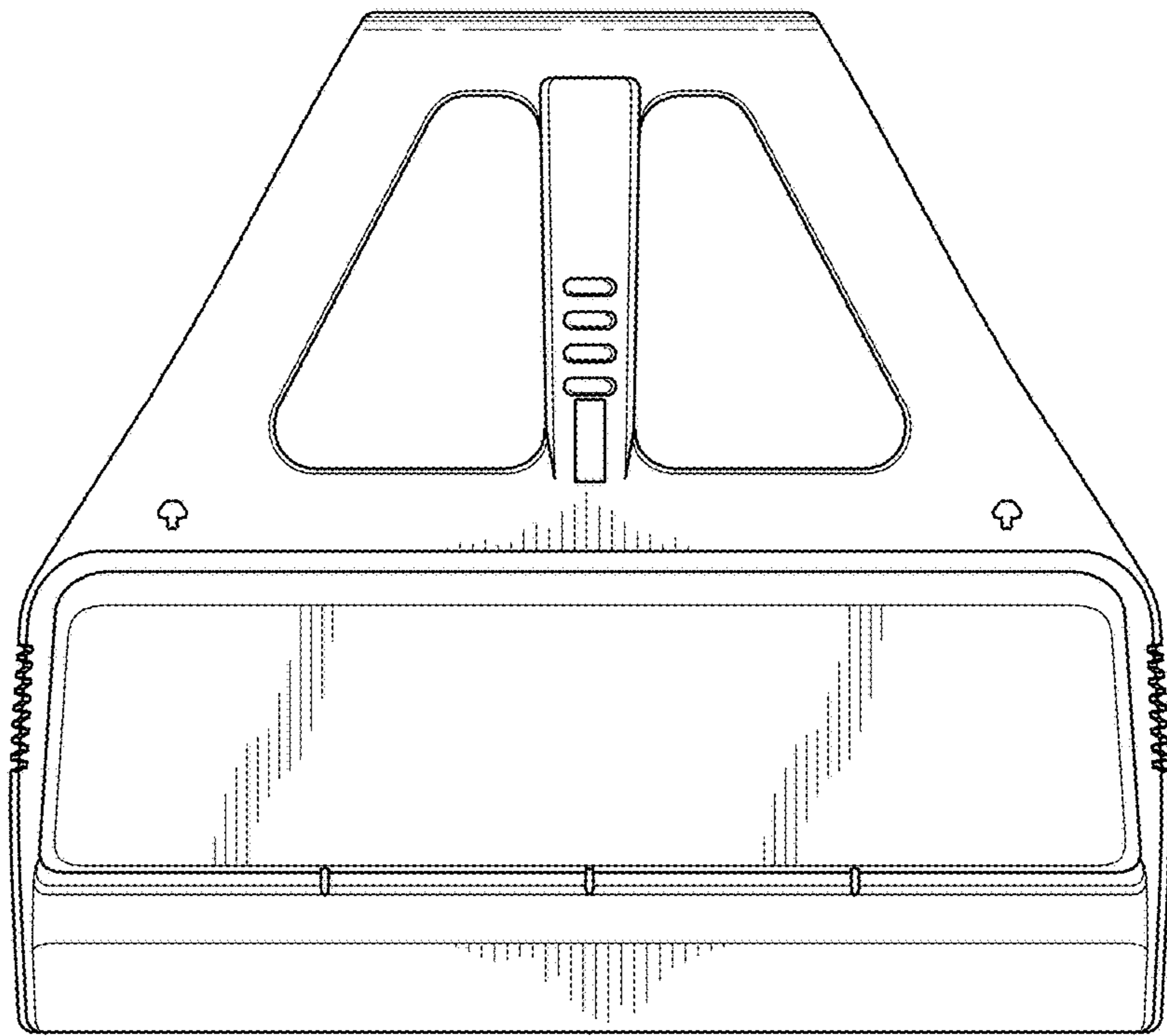


FIG. 5

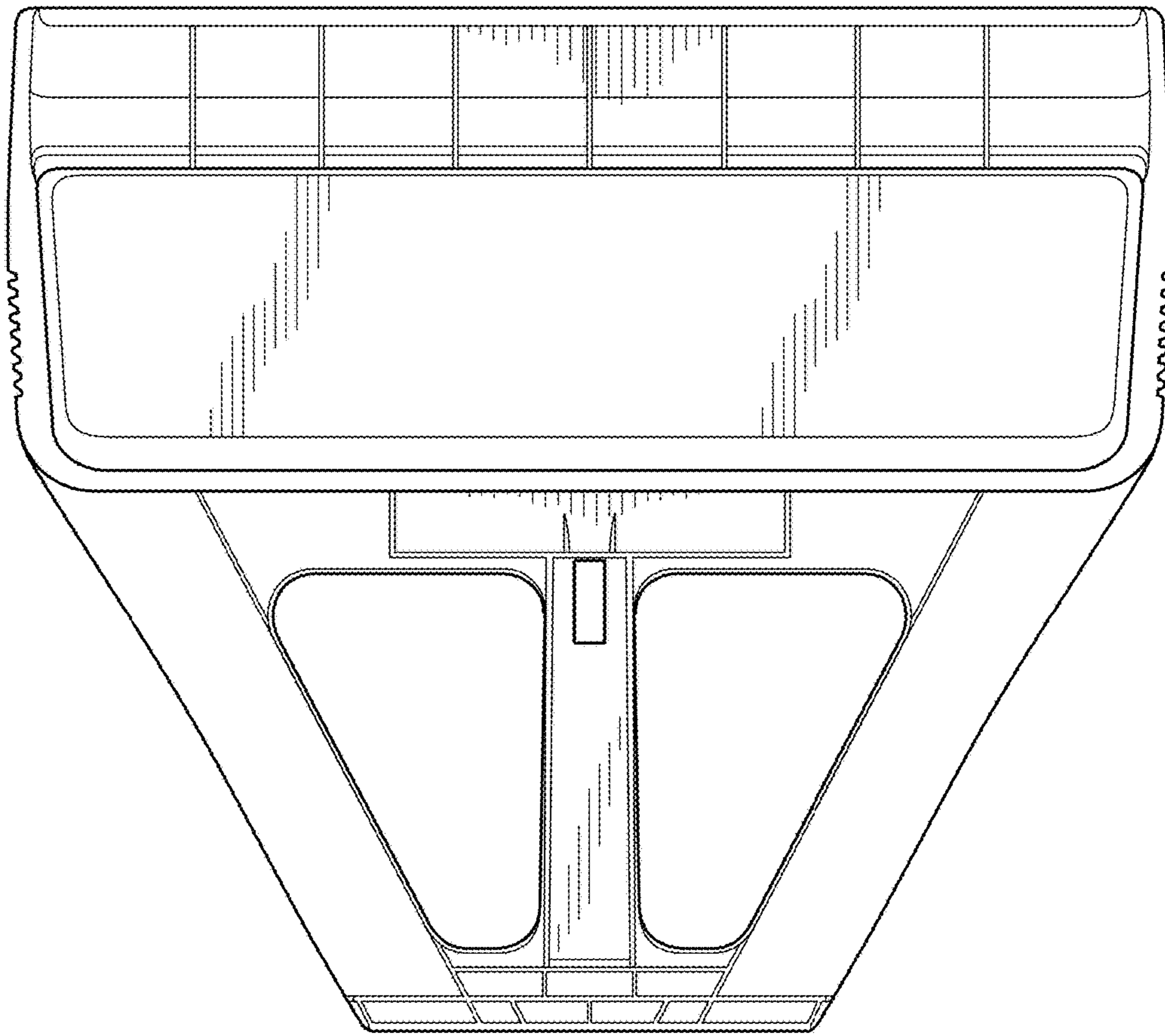


FIG. 6