



US00D826502S

(12) **United States Design Patent** (10) **Patent No.:** **US D826,502 S**  
**Goodman et al.** (45) **Date of Patent:** **\*\* Aug. 21, 2018**

(54) **SINK CRADLE**  
(71) Applicant: **Spectrum Diversified Designs, LLC**,  
Streetsboro, OH (US)  
(72) Inventors: **Aaron Goodman**, Beachwood, OH  
(US); **Xuemei Yuan**, Stow, OH (US)  
(73) Assignee: **Spectrum Diversified Designs, LLC**,  
Streetsboro, OH (US)  
(\*\*) Term: **15 Years**  
(21) Appl. No.: **29/608,907**  
(22) Filed: **Jun. 27, 2017**  
(51) **LOC (11) Cl.** ..... **07-05**  
(52) **U.S. Cl.**  
USPC ..... **D32/55**  
(58) **Field of Classification Search**  
USPC ..... D32/55, 276, 3; D6/510, 525; D30/133;  
211/41.5, 41.4, 41.3, 41.8; 361/679.4;  
312/311, 333, 334.4; D7/354, 629  
CPC ..... A47J 47/20; A47J 2201/00; A47J 47/00;  
B65D 35/02; B65D 35/22; B65D 35/56  
See application file for complete search history.

D734,818 S \* 7/2015 Goodman ..... D19/90  
D759,990 S \* 6/2016 Goodman ..... D6/566  
D762,035 S \* 7/2016 Cooper ..... D32/55  
D762,397 S \* 8/2016 Goodman ..... D6/537  
D803,501 S \* 11/2017 Goodman ..... D32/55  
D808,605 S \* 1/2018 Yuan ..... D32/55  
D811,122 S \* 2/2018 Goodman ..... D6/553  
D811,677 S \* 2/2018 Goodman ..... D32/55  
D811,678 S \* 2/2018 Goodman ..... D32/55

**OTHER PUBLICATIONS**

U.S. Appl. No. 29/585,246, filed Nov. 22, 2016 titled: "Sink Cradle"  
2 pages, and 4 pages of drawings.

\* cited by examiner

*Primary Examiner* — Austin Murphy  
(74) *Attorney, Agent, or Firm* — Tucker Ellis LLP;  
Patrick Clunk

(57) **CLAIM**

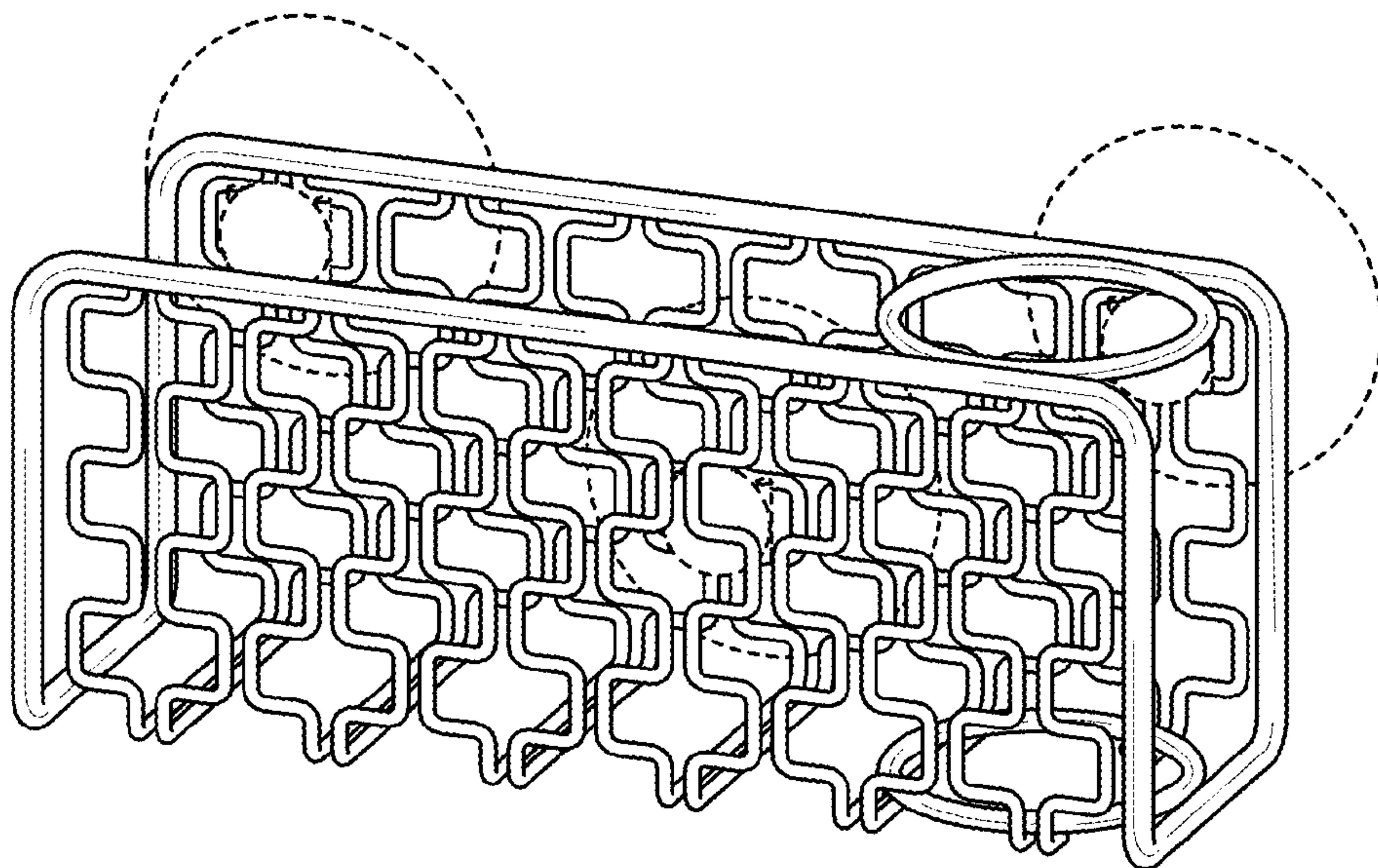
The ornamental design for a sink cradle, as shown and  
described.

**DESCRIPTION**

FIG. 1 is a perspective view of a sink cradle showing our  
new design.  
FIG. 2 is a front view thereof.  
FIG. 3 is a rear view thereof.  
FIG. 4 is a left side view thereof.  
FIG. 5 is a right side view thereof.  
FIG. 6 is a top view thereof; and,  
FIG. 7 is a bottom view thereof.  
The broken lines shown herein are for illustrative purposes  
only and form no part of the claimed design.

**1 Claim, 4 Drawing Sheets**

(56) **References Cited**  
U.S. PATENT DOCUMENTS  
D453,651 S \* 2/2002 Snell ..... D6/537  
D563,708 S \* 3/2008 Snell ..... D6/566  
D612,648 S \* 3/2010 Guindi ..... D6/525  
D675,049 S \* 1/2013 Goodman ..... D6/513  
D718,510 S \* 11/2014 Goodman ..... D32/55  
D723,761 S \* 3/2015 Goodman ..... D32/55



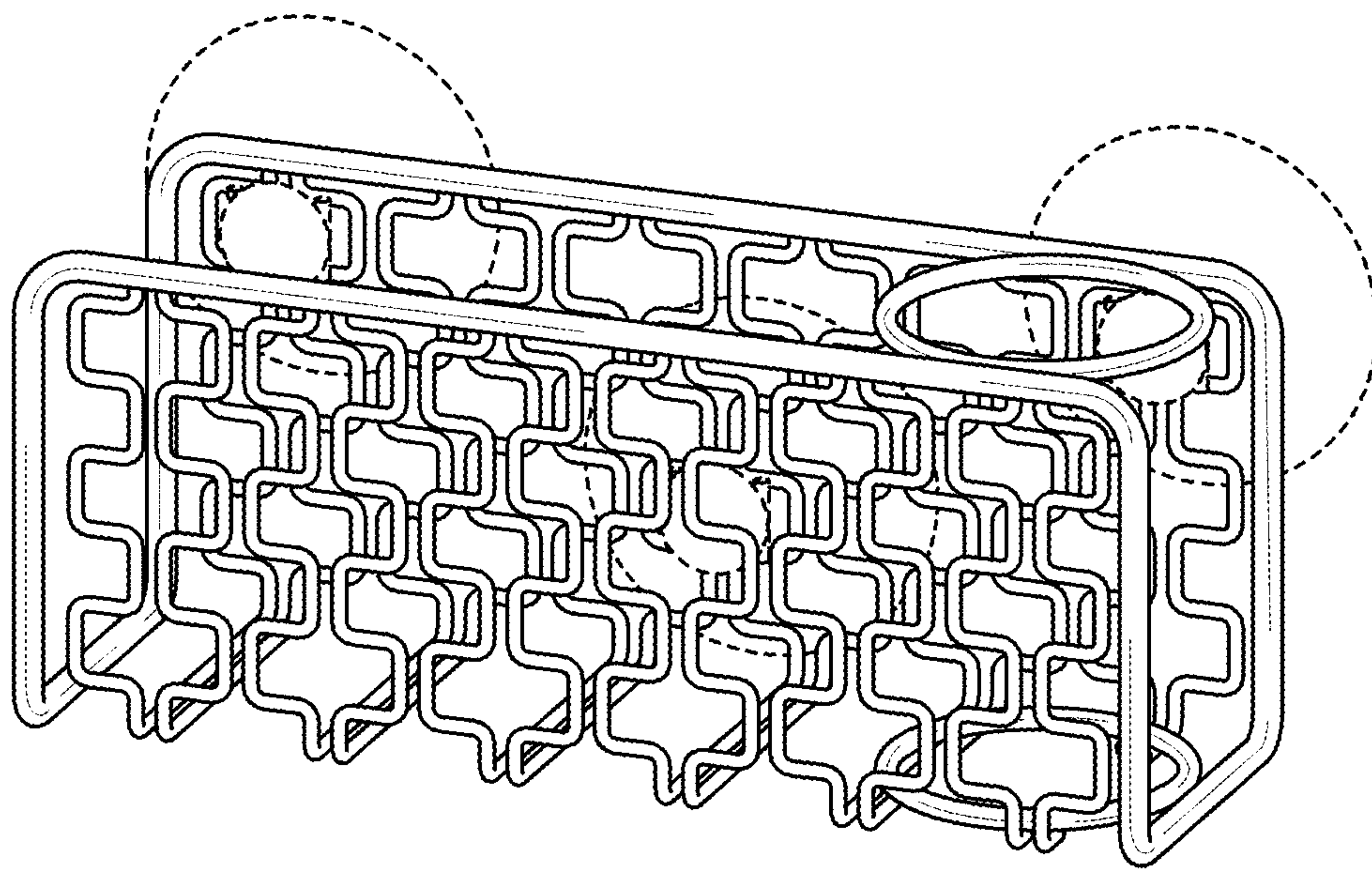


FIG. 1

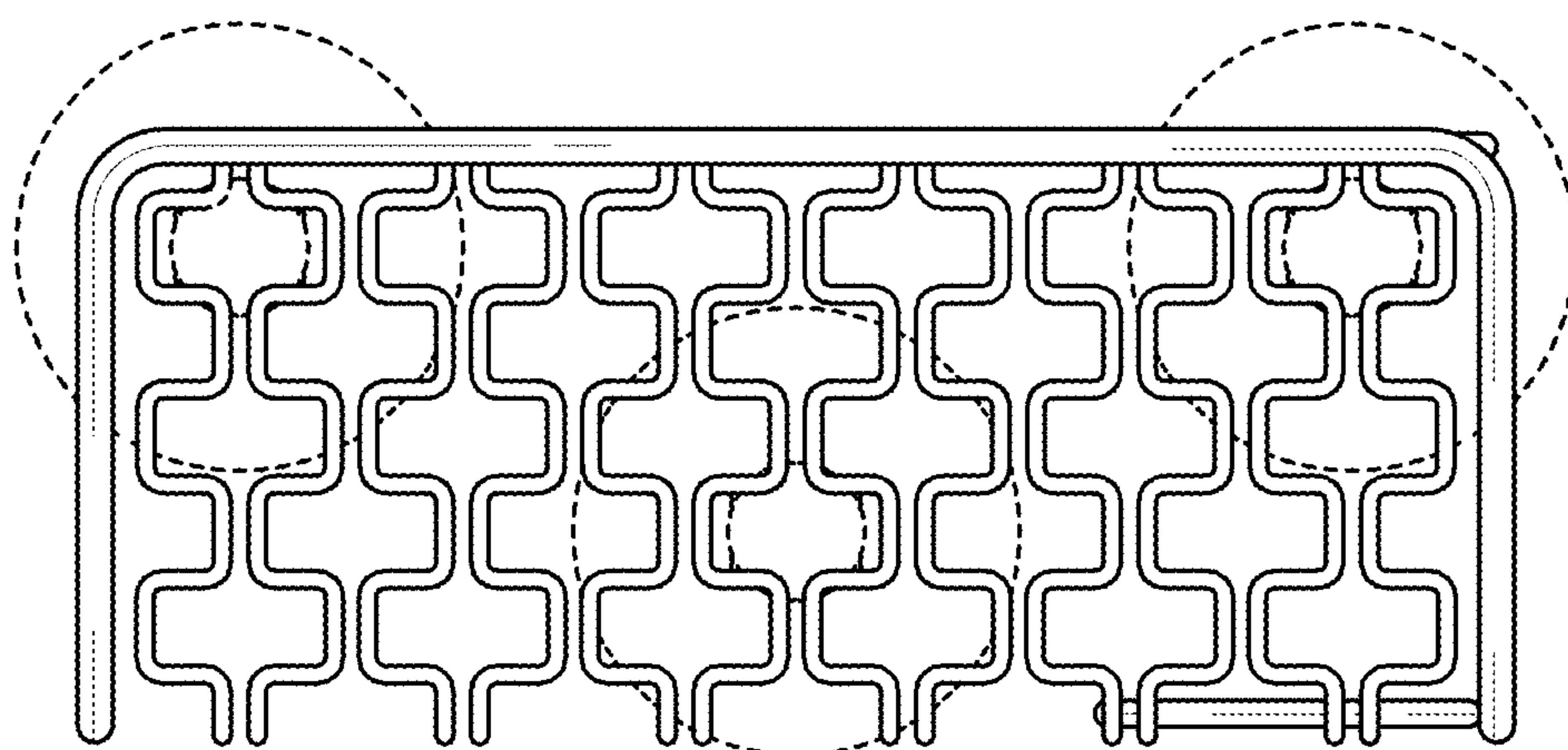


FIG. 2

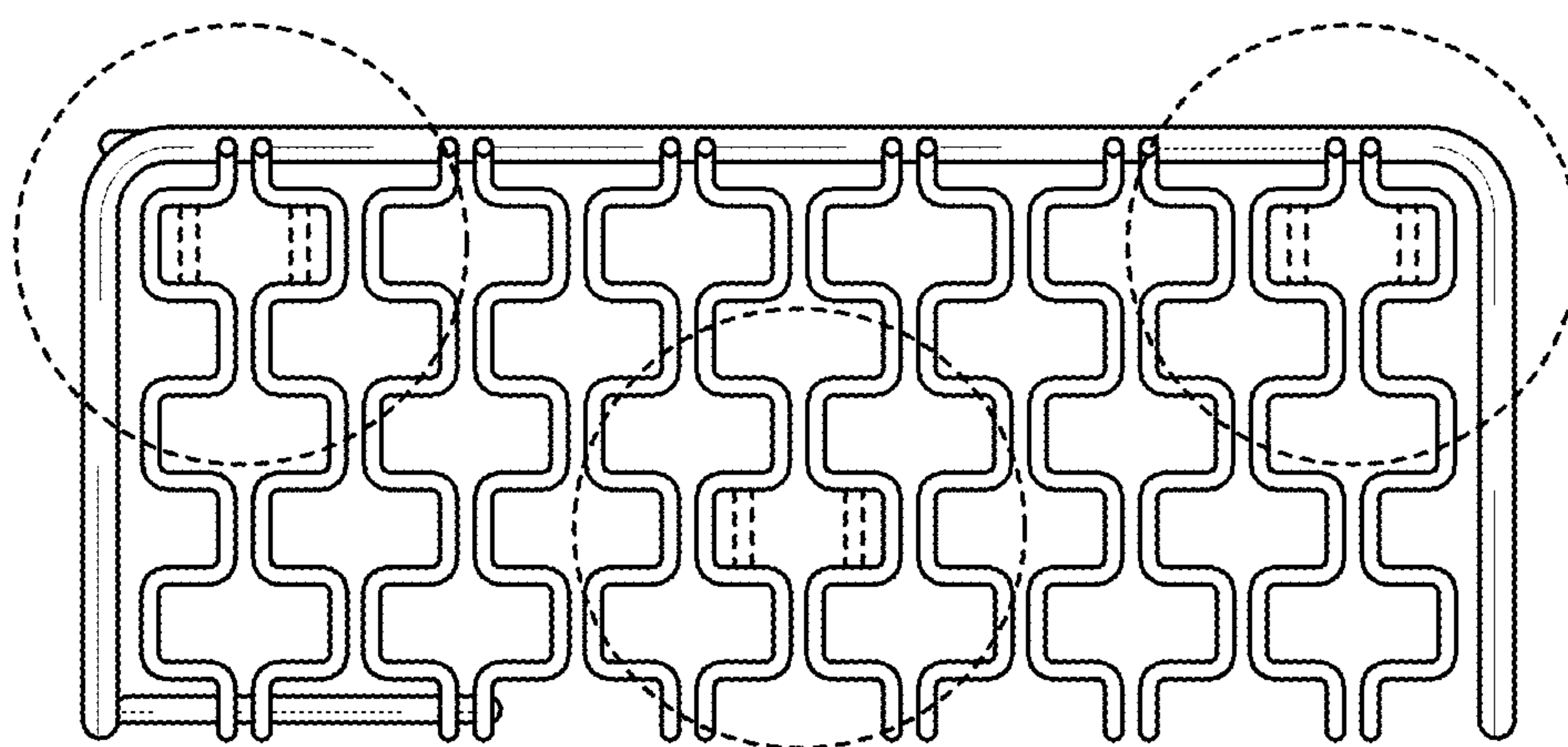


FIG. 3

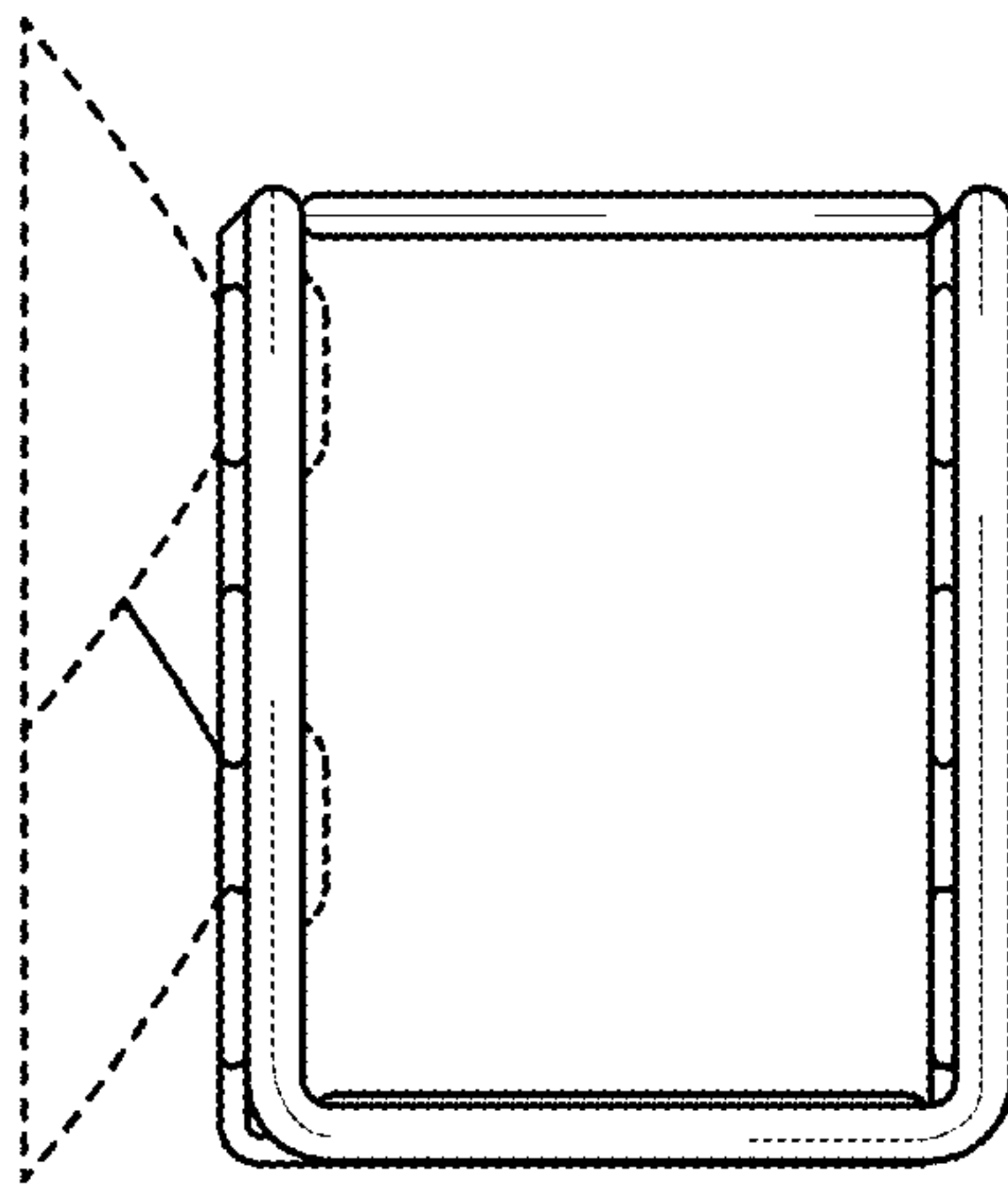


FIG. 4

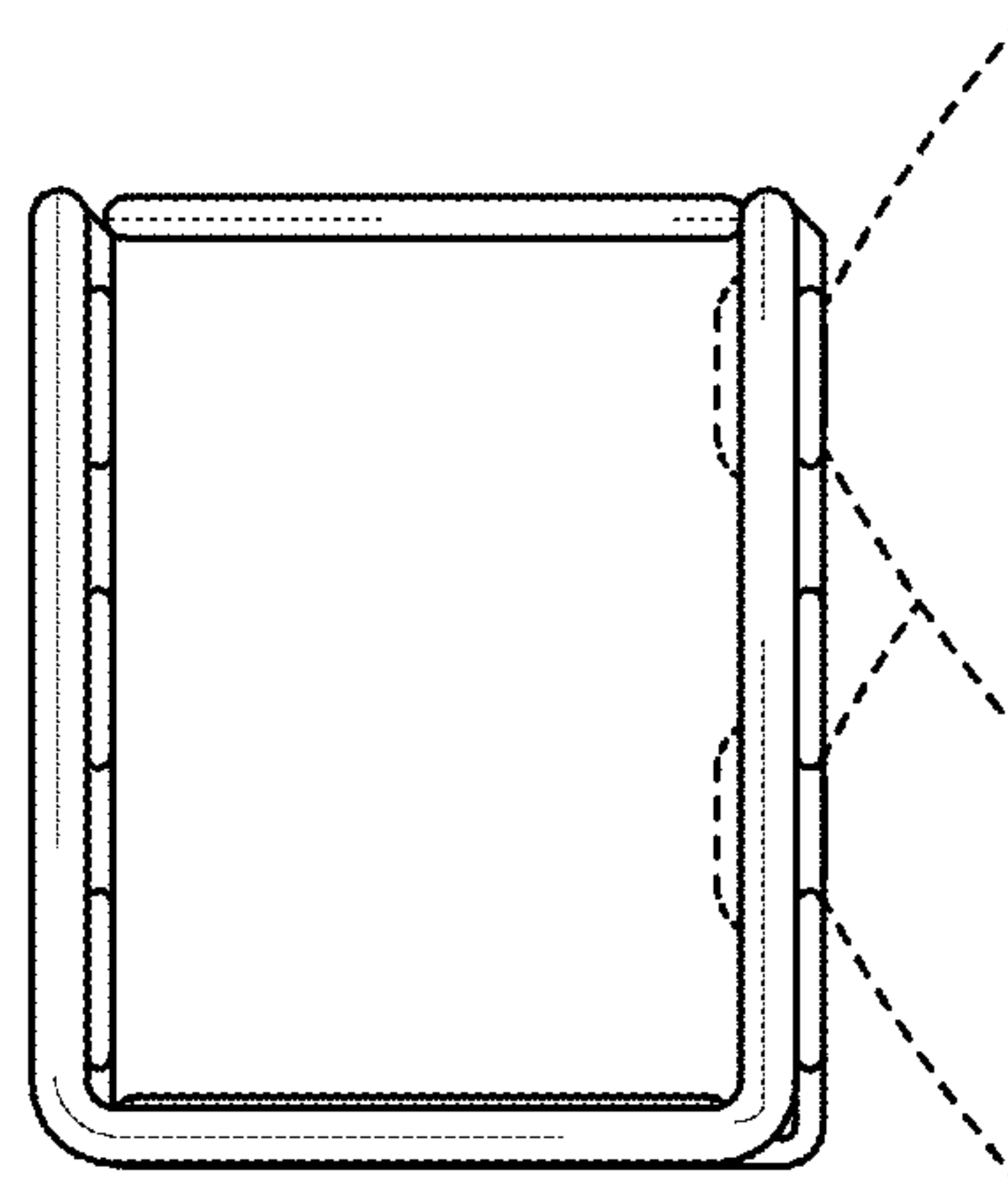


FIG. 5



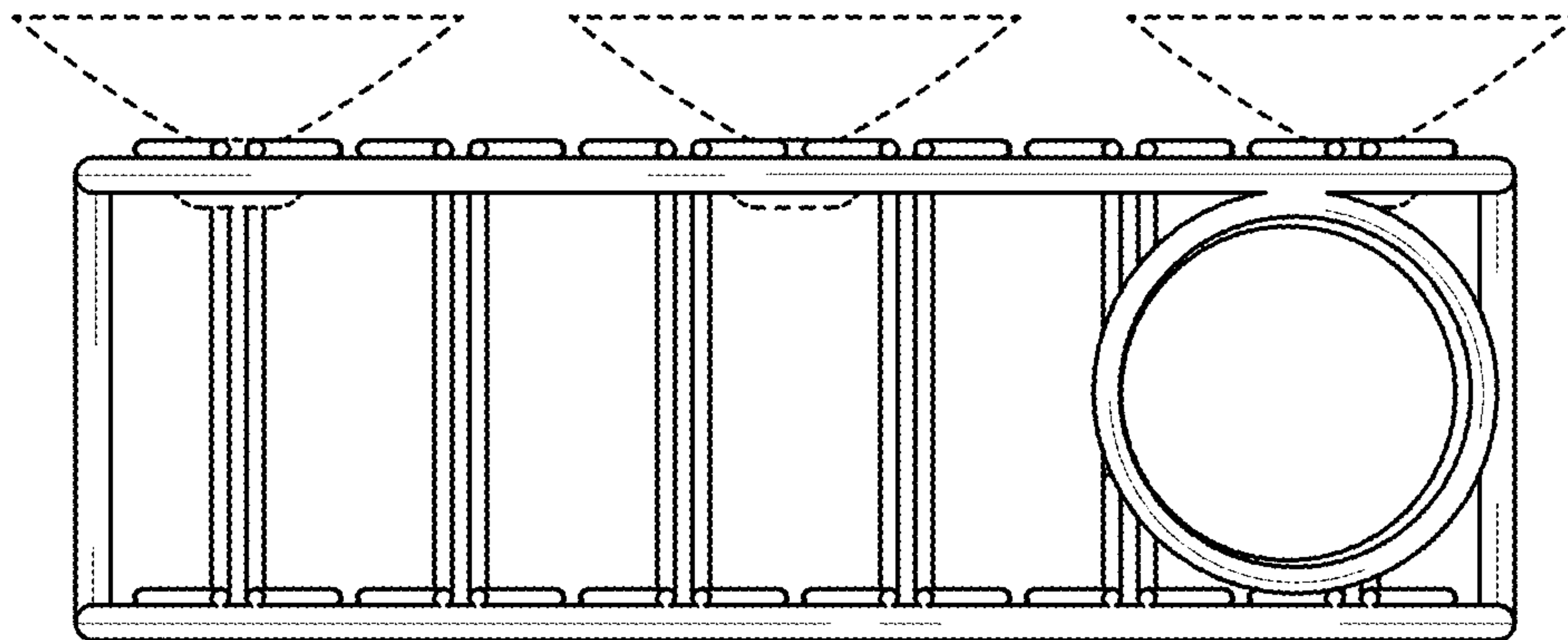


FIG. 6

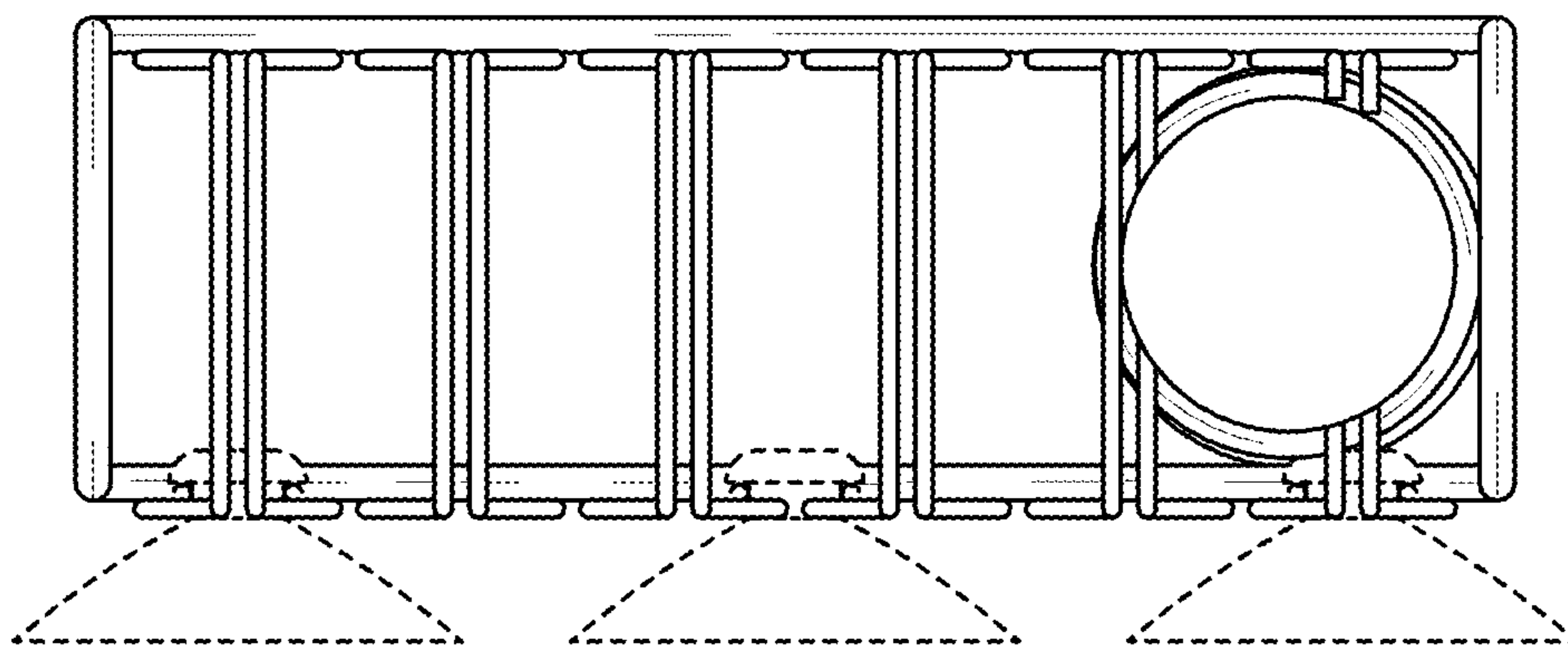


FIG. 7