



US00D826501S

(12) **United States Design Patent** (10) **Patent No.:** **US D826,501 S**
Kawasaki et al. (45) **Date of Patent:** **** Aug. 21, 2018**

(54) **HANDLE**

FOREIGN PATENT DOCUMENTS

(71) Applicant: **3M INNOVATIVE PROPERTIES COMPANY**, St. Paul, MN (US)

JP	5-26054	2/1993
JP	D1493894	3/2014
JP	D1534969	10/2015
JP	D1580458	7/2017

(72) Inventors: **Shingo Kawasaki**, Tokyo (JP); **Hitoshi Ono**, Kanagawa (JP)

OTHER PUBLICATIONS

(73) Assignee: **3M INNOVATIVE PROPERTIES COMPANY**, St. Paul, MN (US)

Hayakawa Synthetic — Catalogue, p. 72, Oct. 9, 2001.

(**) Term: **15 Years**

* cited by examiner

(21) Appl. No.: **29/572,354**

Primary Examiner — Philip S Hyder

(22) Filed: **Jul. 27, 2016**

(74) *Attorney, Agent, or Firm* — Irina Haas

(51) **LOC (11) Cl.** **04-01**

(57) **CLAIM**

(52) **U.S. Cl.**
USPC **D32/52; D8/107**

The ornamental design for a handle, as shown and described.

(58) **Field of Classification Search**
USPC D4/138; D7/395; D8/14, 107, 300;
D24/133; D32/51, 52; D28/7
See application file for complete search history.

DESCRIPTION

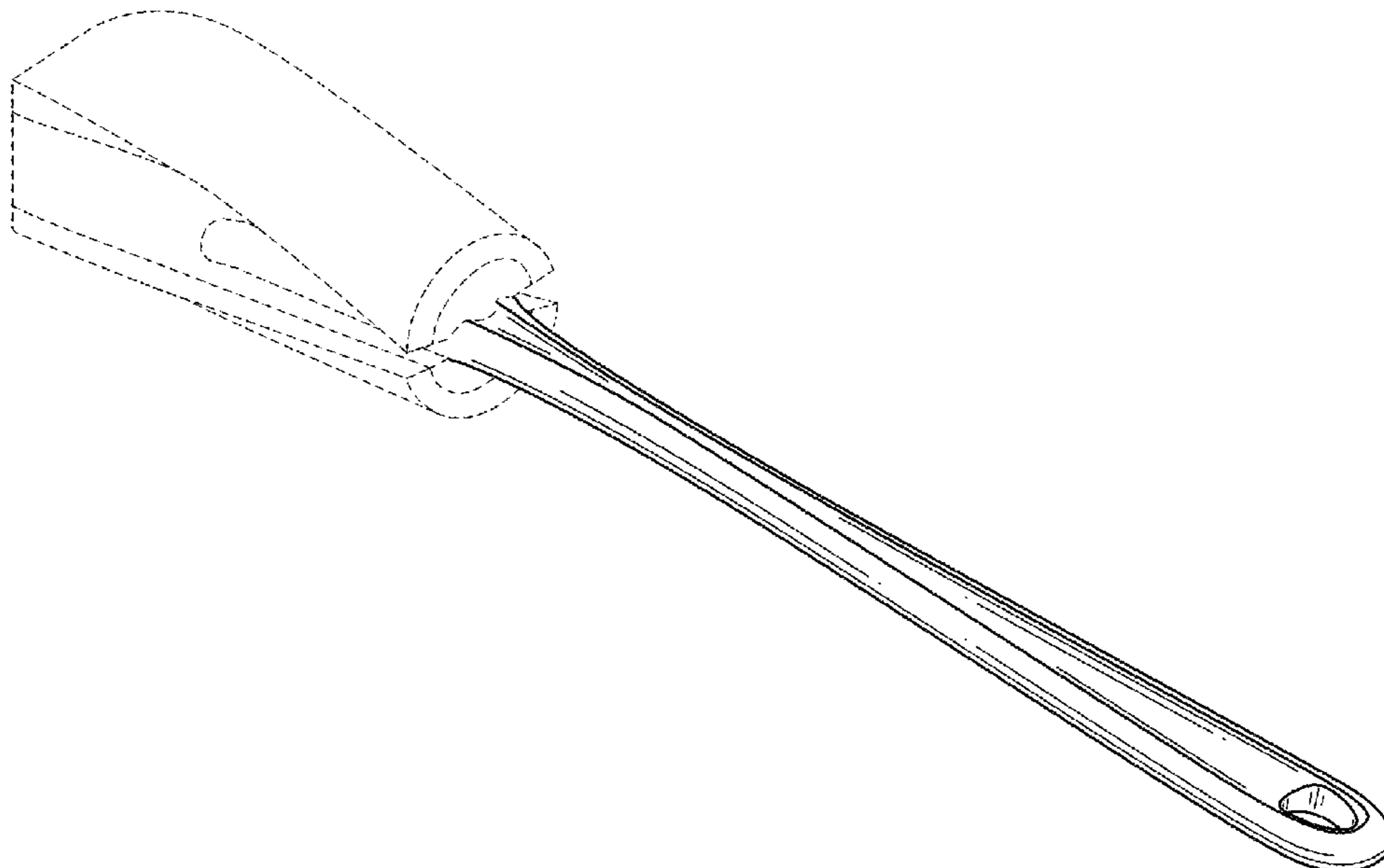
(56) **References Cited**

FIG. 1 is a perspective view showing the new design for a handle;
FIG. 2 is a top view thereof;
FIG. 3 is a front view thereof, a rear view being a mirror image thereof;
FIG. 4 is a bottom view thereof;
FIG. 5 is a right side view thereof;
FIG. 6 is a left side view thereof; and,
FIG. 7 is a disassembled front view thereof.
The broken line showings of the head in FIGS. 1 through 7 are provided for purposes of environment and forms no part of the claimed design. The end of the handle in FIG. 7 which engages the head is depicted in broken line for since it forms no part of the claimed design.

U.S. PATENT DOCUMENTS

D299,975 S *	2/1989	Boyer	D28/63
4,856,136 A *	8/1989	Janssen	A46B 3/02
				15/210.1
D424,368 S *	5/2000	Rosenthal	D7/395
D482,930 S *	12/2003	Lin	D7/395
D579,265 S *	10/2008	Munari	D7/395
D608,965 S *	1/2010	Tanaka	D32/40
D627,610 S *	11/2010	Lee	D7/667
D685,970 S *	7/2013	Williams	D32/51
D696,828 S *	12/2013	Ashe	D32/51
D724,379 S *	3/2015	Munari	D7/395
D753,964 S *	4/2016	Schuler	D7/692
D789,764 S *	6/2017	Meier	D4/138

1 Claim, 2 Drawing Sheets



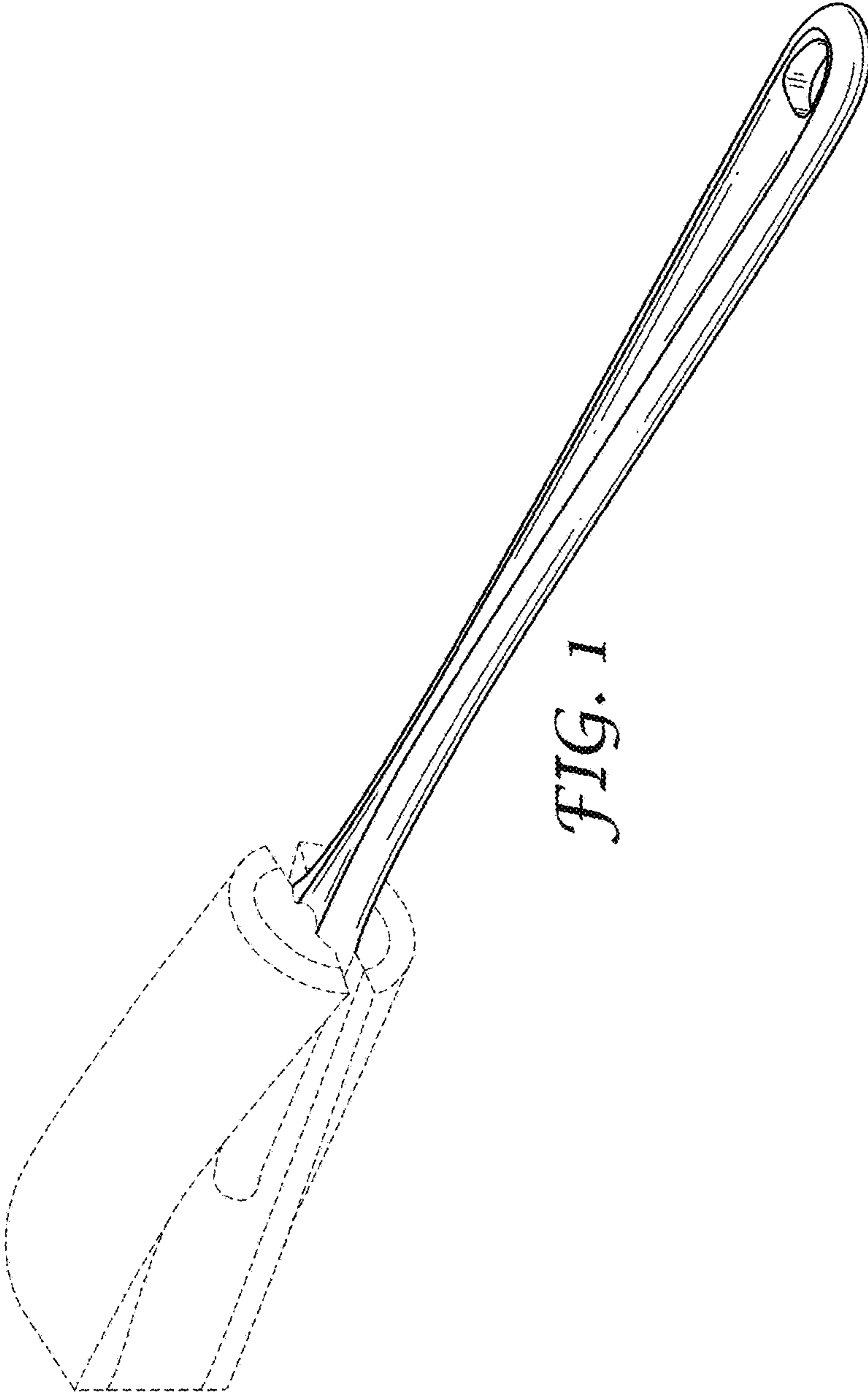


FIG. 1

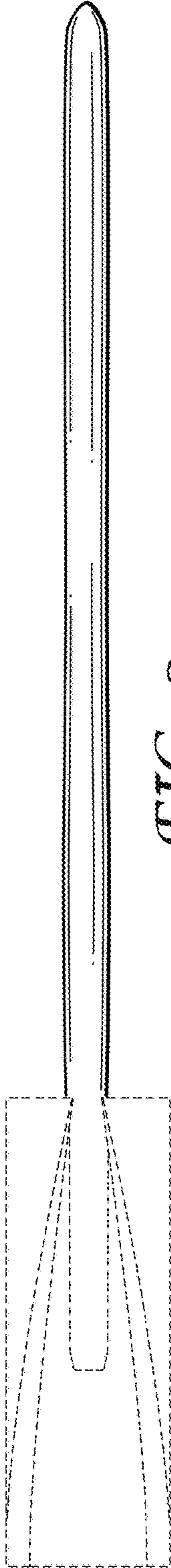


FIG. 2

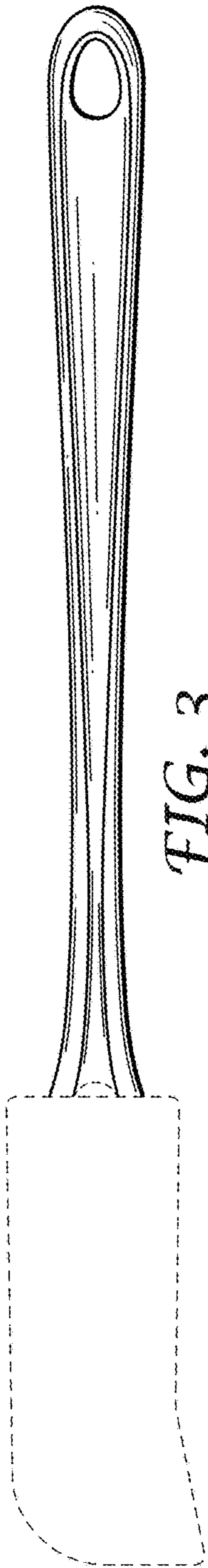


FIG. 3



FIG. 4



FIG. 5

FIG. 6

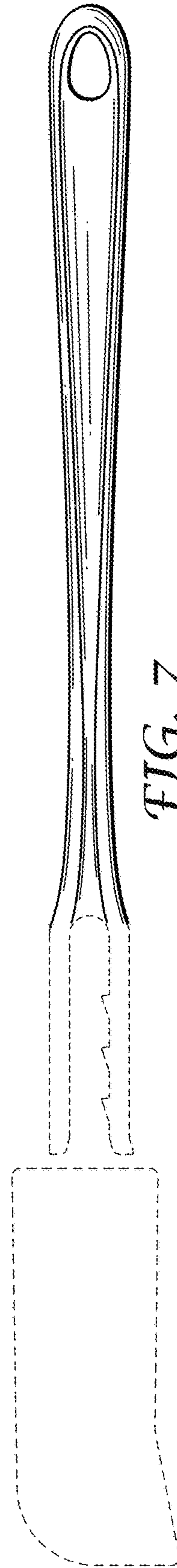


FIG. 7