



US00D826500S

(12) **United States Design Patent**
Larouche

(10) **Patent No.:** **US D826,500 S**
(45) **Date of Patent:** **** Aug. 21, 2018**

- (54) **SWIMMING POOL BRUSH**
- (71) Applicant: **CPA POOL PRODUCTS, INC.**,
Blainville (CA)
- (72) Inventor: **Annie Larouche**, Mascouche (CA)
- (73) Assignee: **CPA POOL PRODUCTS, INC.**,
Blainville (CA)

4,703,535 A * 11/1987 Nehls E04H 4/1609
15/1.7
4,763,378 A * 8/1988 Drumm A46B 3/08
15/146
4,783,868 A * 11/1988 O'Callaghan A46B 15/00
15/1.7
D351,948 S * 11/1994 Getchell D32/42
5,774,922 A * 7/1998 Bumb A46B 9/02
15/159.1
5,966,771 A * 10/1999 Stroud A46B 3/005
15/117

(**) Term: **15 Years**

(Continued)

(21) Appl. No.: **29/624,000**

OTHER PUBLICATIONS

(22) Filed: **Oct. 29, 2017**

Discount Leisure Intex 16" Curved Swimming Pool Wall Brush Head, no date, <http://www.discountleisureproducts.co.uk/pool-spa-supplies-c11/pool-cleaning-and-maintenance-c62/intex-16-curved-swimming-pool-wall-brush-head-p433>, site visited Jun. 25, 2018.*

(Continued)

Related U.S. Application Data

- (62) Division of application No. 29/561,576, filed on Apr. 18, 2016, now Pat. No. Des. 804,122.
- (51) **LOC (11) Cl.** **07-05**
- (52) **U.S. Cl.**
USPC **D32/50**
- (58) **Field of Classification Search**
USPC D32/15, 40, 45, 50-52, 74; D4/130-133
CPC . A47L 13/10; A47L 13/20; A47L 7/00; A47L
5/24; A47L 13/16; A47L 13/12; B32B
27/04; A01D 7/06
See application file for complete search history.

Primary Examiner — John Windmuller
Assistant Examiner — John R Yeh
(74) *Attorney, Agent, or Firm* — Hodgson Russ LLP

(57) **CLAIM**

The ornamental design for a swimming pool brush, as shown and described.

DESCRIPTION

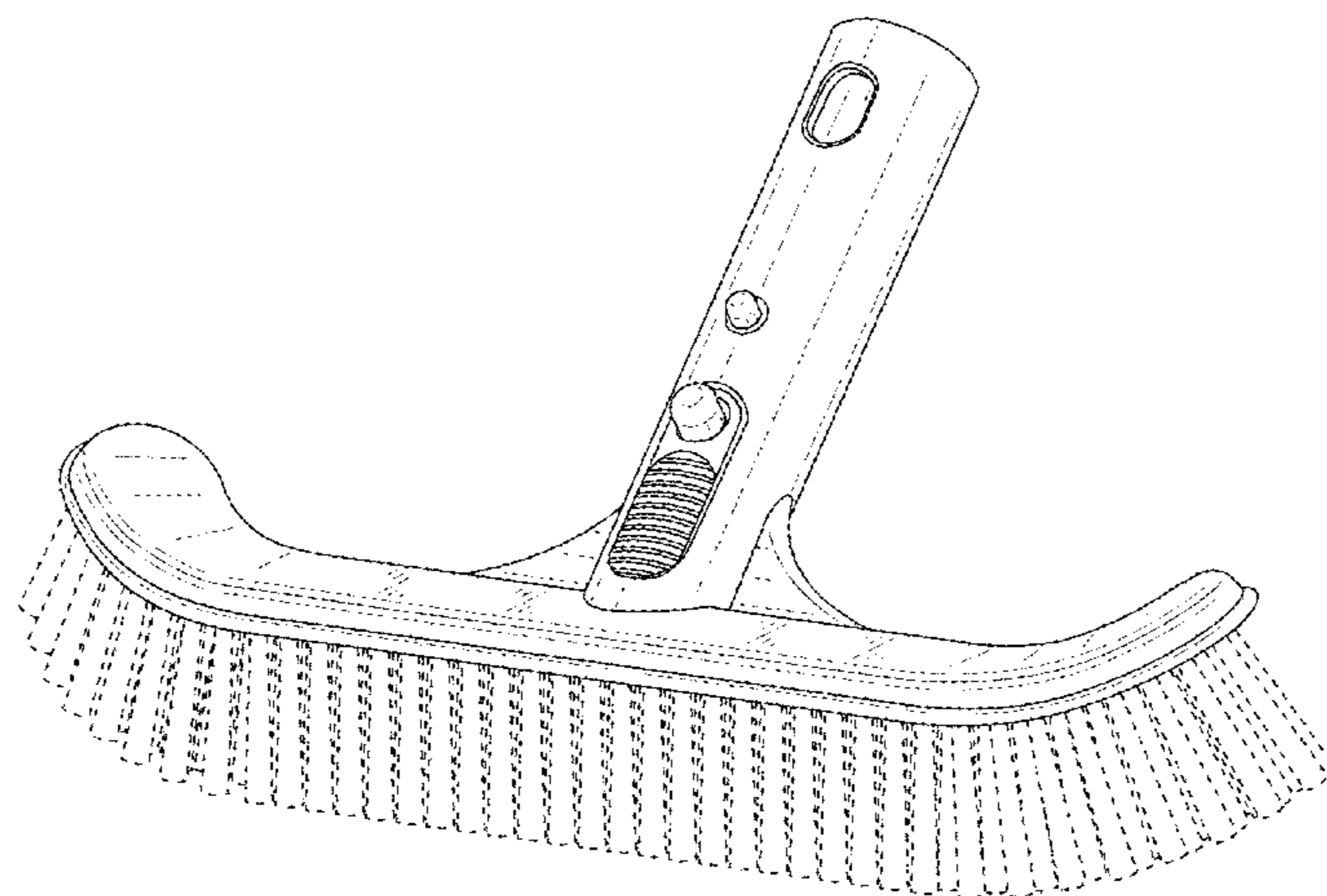
FIG. 1 is a front perspective view of a swimming pool brush showing my new design;
FIG. 2 is a front elevational view thereof;
FIG. 3 is a rear elevational view thereof;
FIG. 4 is a right side elevational view thereof;
FIG. 5 is a left side elevational view thereof;
FIG. 6 is a top view thereof; and,
FIG. 7 is a bottom view thereof.
The broken lines illustrate unclaimed portions of the swimming pool brush that form no part of the claimed design.

(56) **References Cited**

U.S. PATENT DOCUMENTS

- 65,528 A * 6/1867 Bacon A47L 13/12
15/115
- D99,109 S * 3/1936 Bickel D4/132
- D143,537 S * 1/1946 Febvre D4/132
- D149,134 S * 3/1948 Febvre D4/132
- D226,698 S * 4/1973 Lynn D4/130
- 3,911,521 A * 10/1975 Franchot A47L 13/255
15/147.1
- D283,851 S * 5/1986 Walko D4/130

1 Claim, 6 Drawing Sheets



(56)

References Cited

U.S. PATENT DOCUMENTS

6,148,466 A * 11/2000 Smitelli, III A46B 9/02
 15/1.7
 D445,572 S * 7/2001 Rowell D4/133
 D563,107 S * 3/2008 Folden D4/116
 D648,498 S * 11/2011 Rossano D32/33
 D656,735 S * 4/2012 Zupan D4/116
 D664,772 S * 8/2012 Rossano D4/132
 D666,836 S * 9/2012 Dobson, III D4/132
 D693,078 S * 11/2013 Nordvik D32/50
 D693,079 S * 11/2013 Nordvik D32/50
 D747,884 S * 1/2016 Chalifoux D4/132
 D804,122 S * 11/2017 Larouche D32/50
 2004/0060129 A1 * 4/2004 Juett A46B 17/08
 15/1.7

OTHER PUBLICATIONS

Poolmaster Classic 18 in. Aluminum-Back Brush-20171—The Home Depot, website 2018, site visited Jun. 25, 2018, https://www.homedepot.com/rA2LQ1Qs5JAqxtqx1hCGmPPajQBQ4LC14aAp8QEALw_wcB&dclid=CJPVx5Sp7tsCFSW_swod_dQlfa.
 Swimming Pool Cleaning Brush at Rs 450 /piece | Swimming Pool Cleaning Brushes, Indiamart company info 2014, <https://www.indiamart.com/proddetail/swimming-pool-cleaning-brush-14470068691.html>, site visited Jun. 25, 2018.*

* cited by examiner

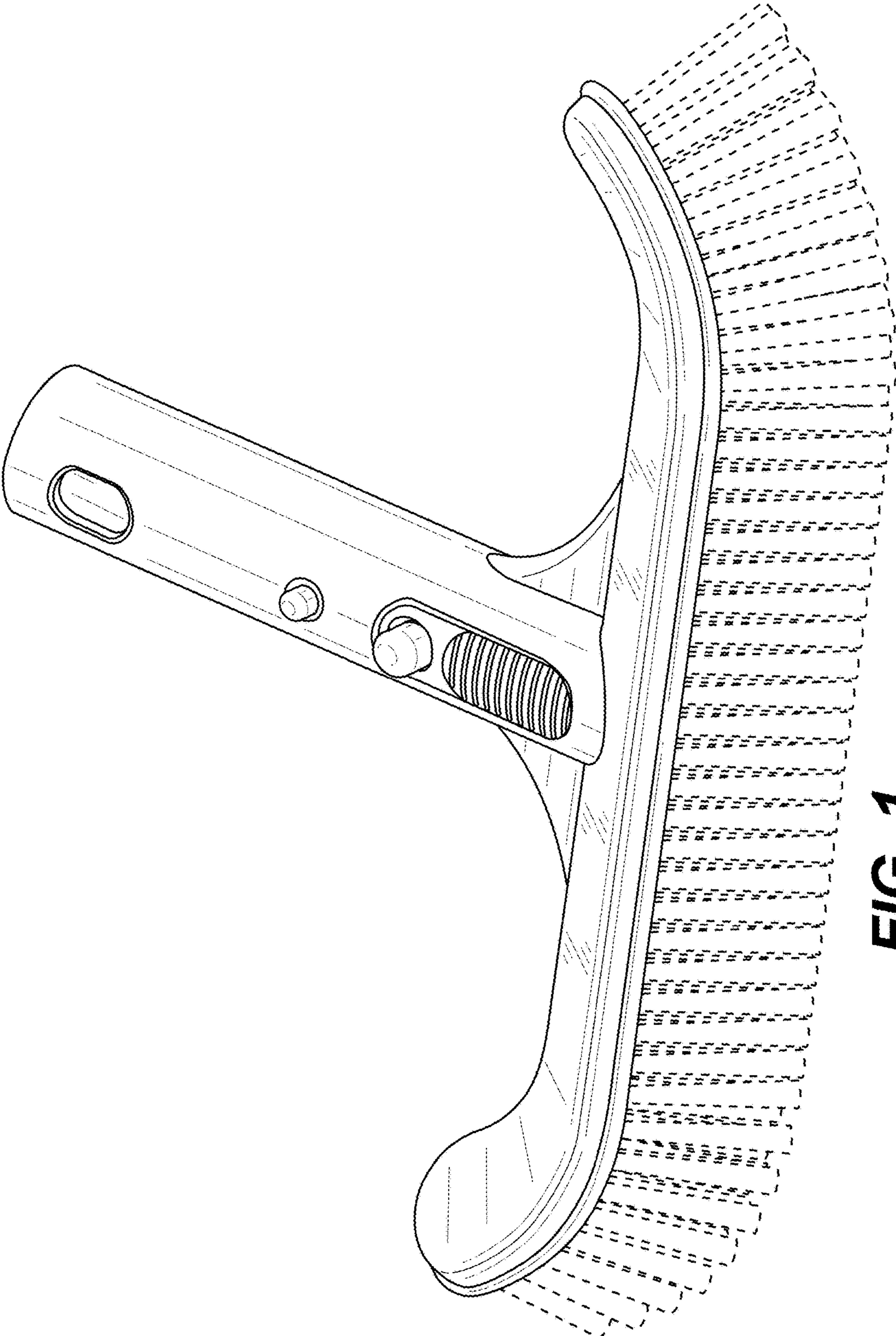


FIG. 1

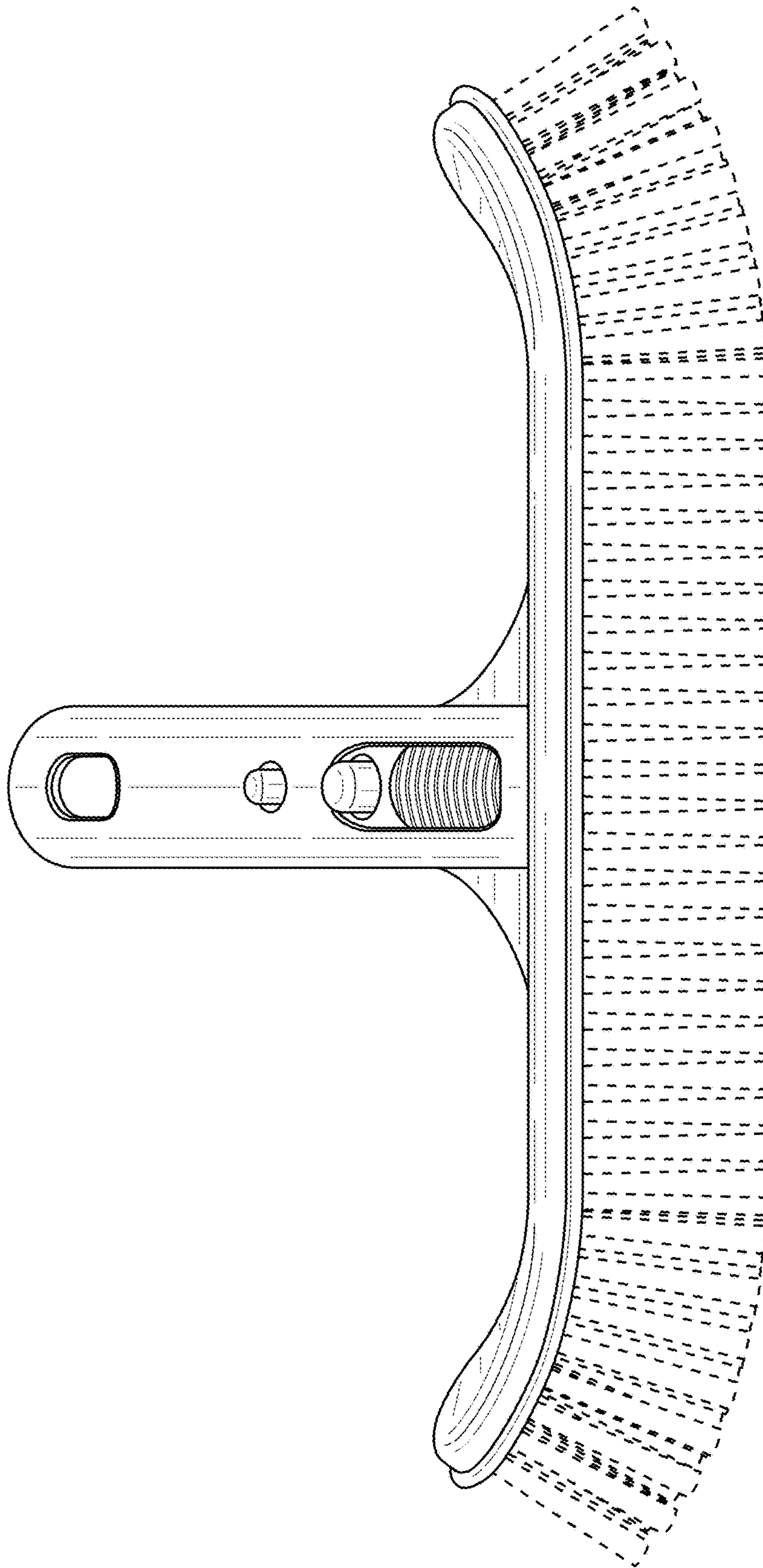


FIG. 2

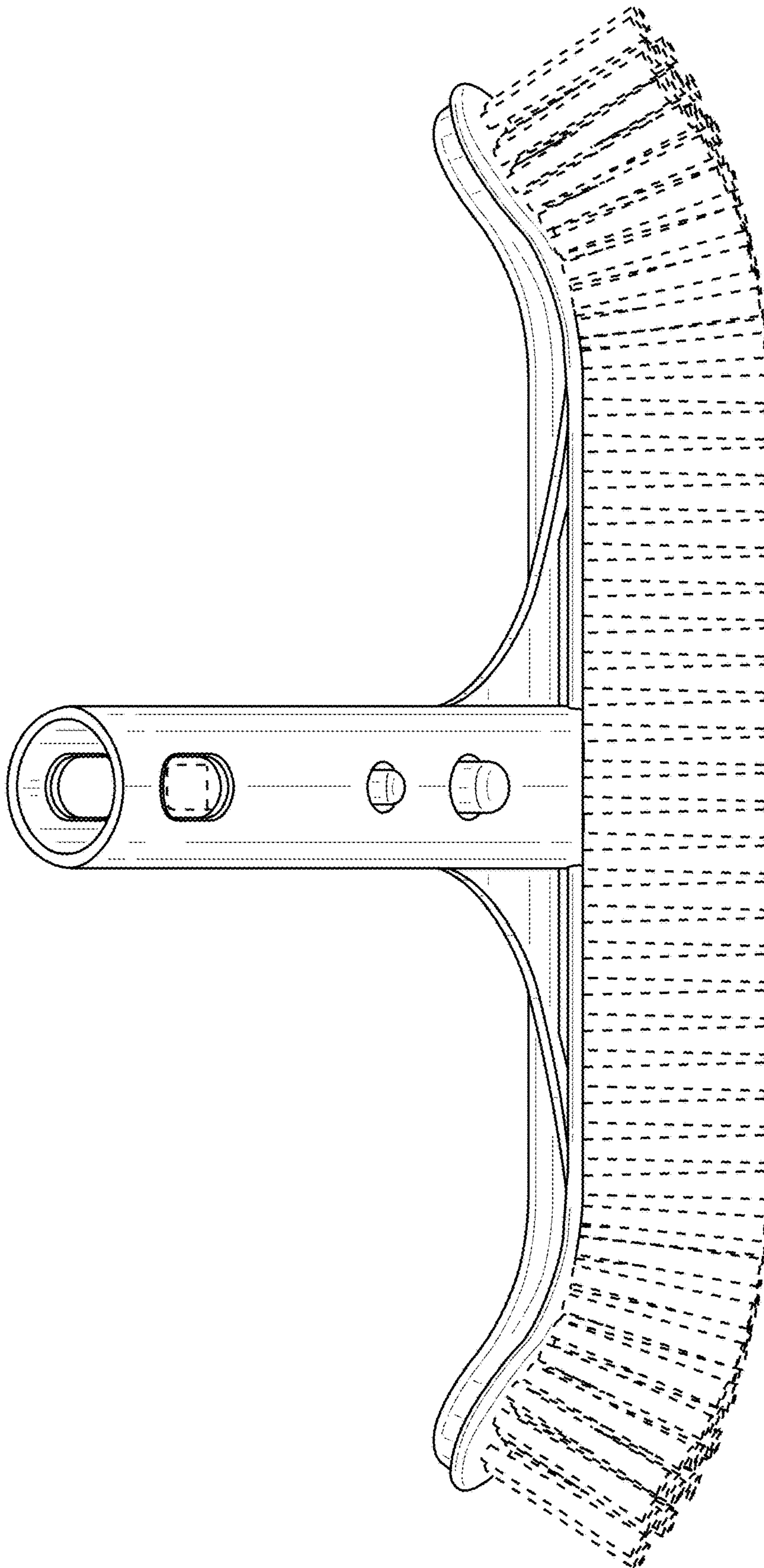


FIG. 3

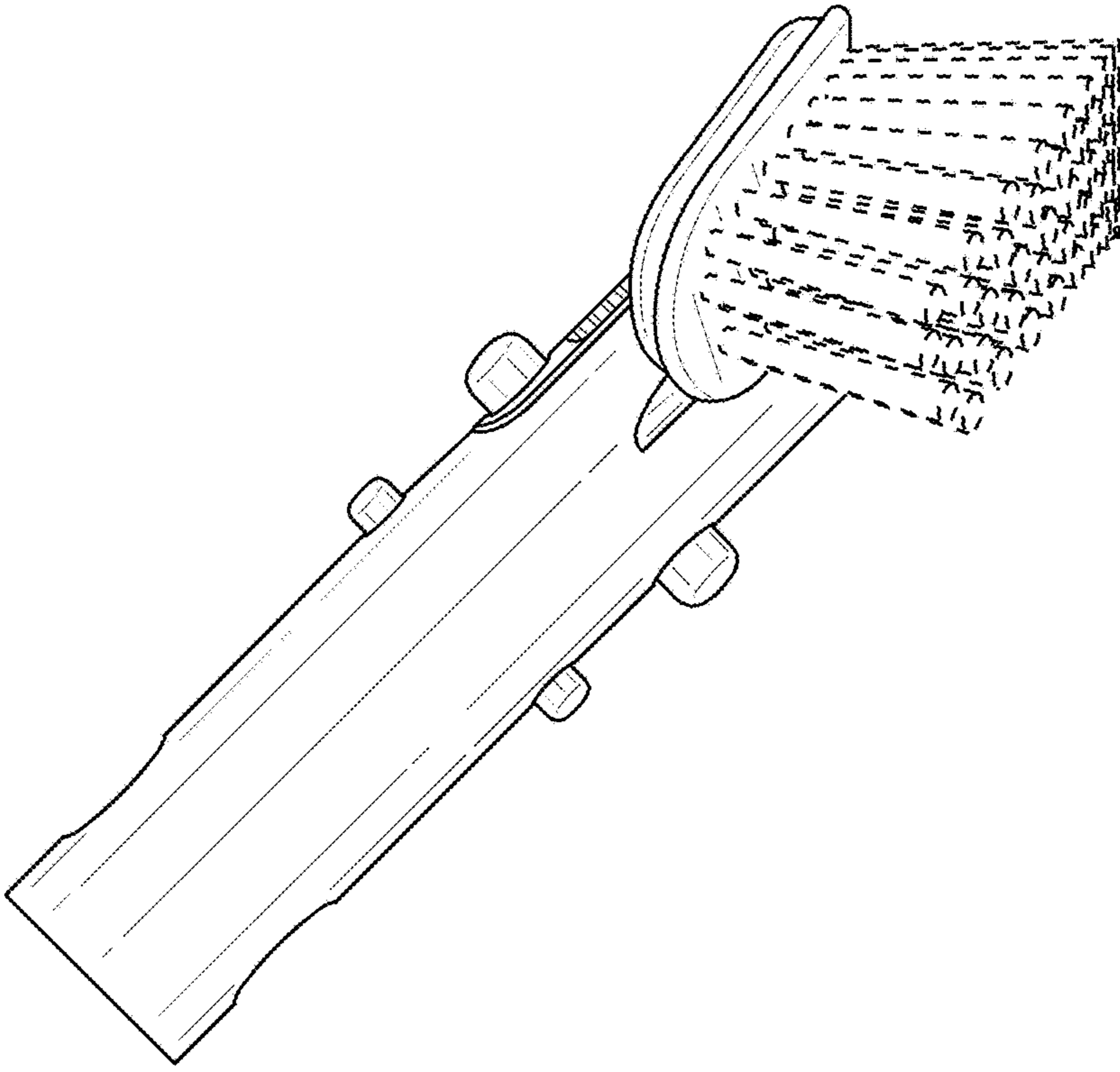


FIG. 4

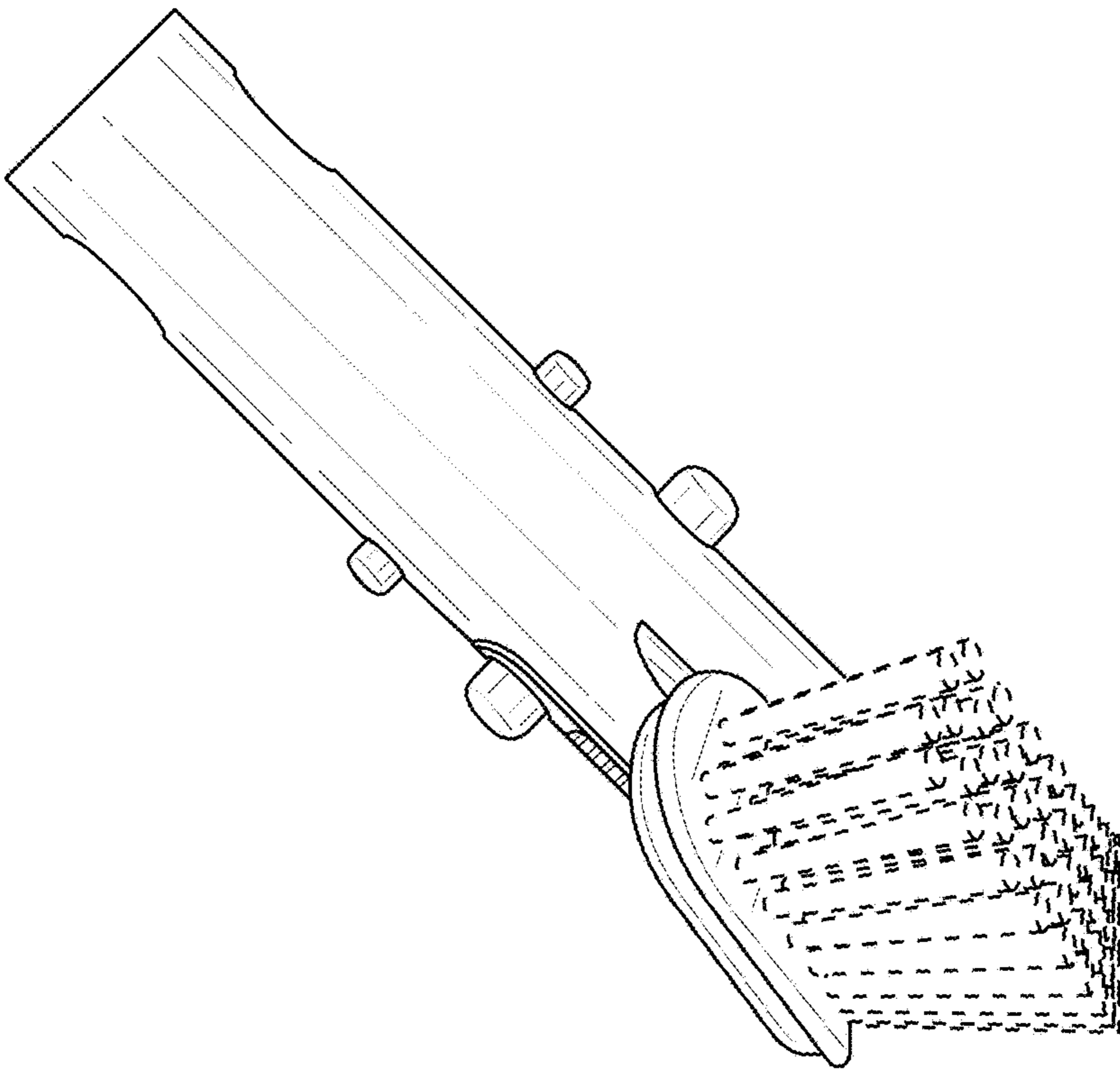


FIG. 5

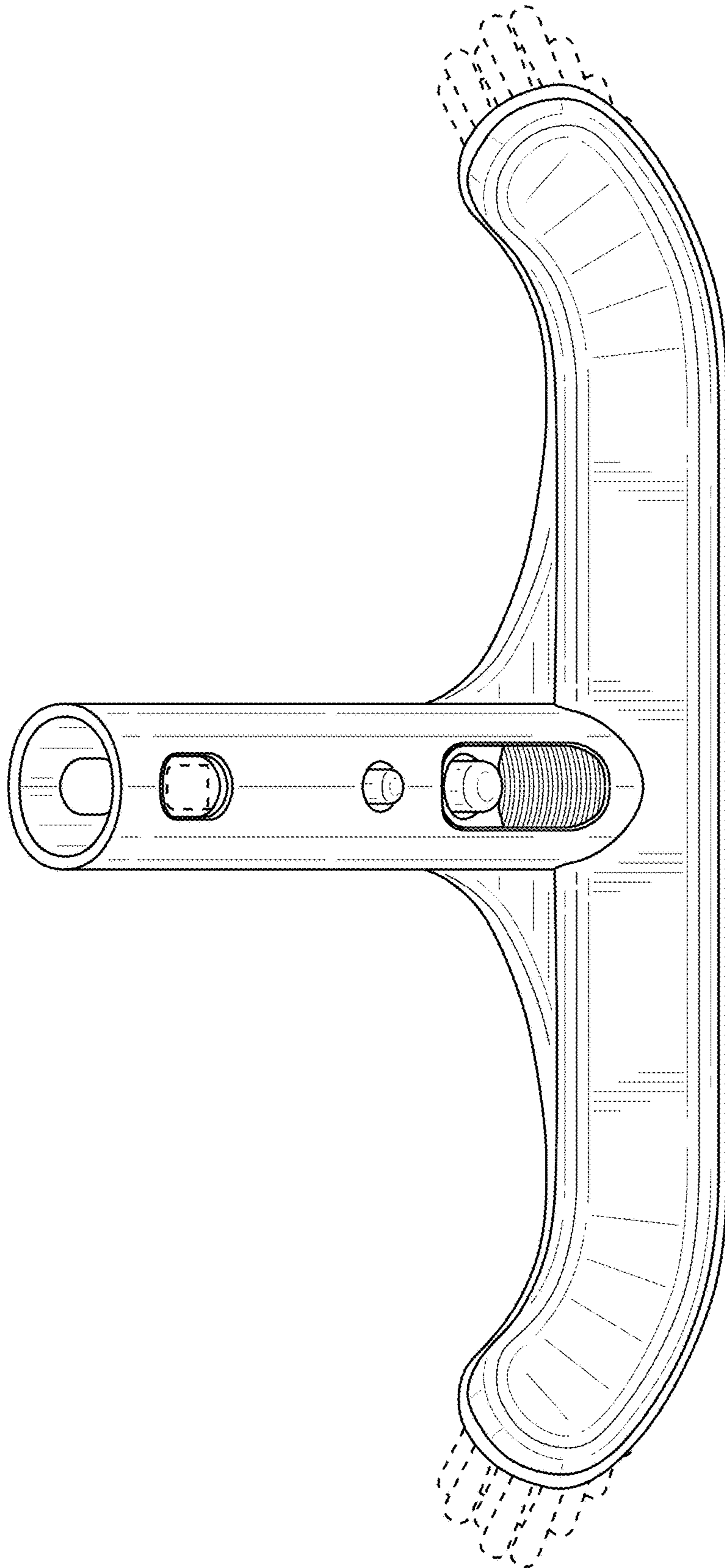


FIG. 6

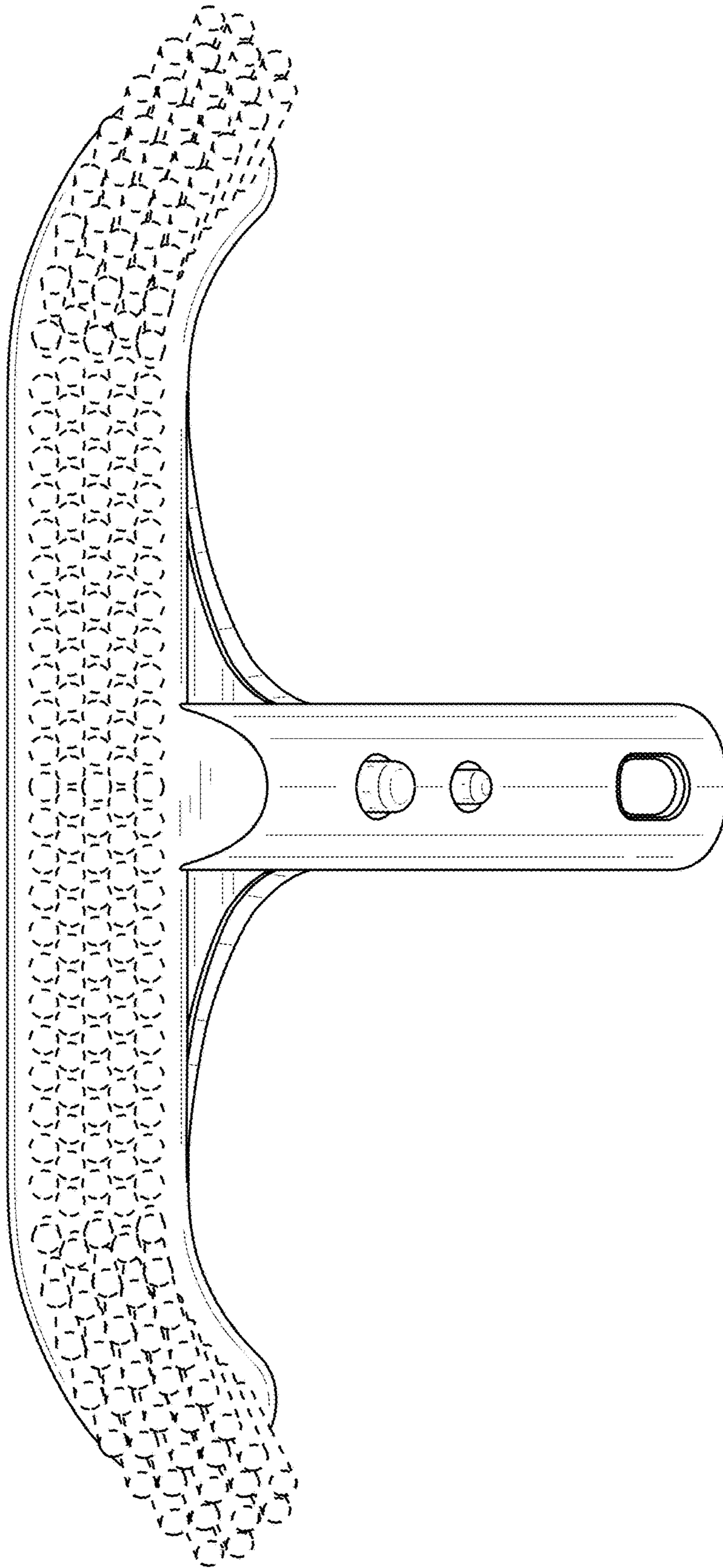


FIG. 7