



US00D826494S

(12) **United States Design Patent**
Ayers et al.

(10) **Patent No.:** **US D826,494 S**

(45) **Date of Patent:** **** Aug. 21, 2018**

(54) **DRYER**

(71) Applicant: **Whirlpool Corporation**, Benton Harbor, MI (US)

(72) Inventors: **Kevin B. Ayers**, St. Joseph, MI (US); **Abhijeet Bhattacharya**, Lehi, UT (US); **Seth E. Bixby**, Stevensville, MI (US); **Andrew Kubasiak**, St. Joseph, MI (US); **Michael R. Mackay**, St. Joseph, MI (US); **David Miller**, Zeeland, MI (US)

(73) Assignee: **Whirlpool Corporation**, Benton Harbor, MI (US)

(**) Term: **15 Years**

(21) Appl. No.: **29/539,919**

(22) Filed: **Sep. 18, 2015**

(51) **LOC (11) Cl.** **15-05**

(52) **U.S. Cl.**
USPC **D32/25**

(58) **Field of Classification Search**
USPC D32/16, 8, 10, 24, 25, 28; 34/58, 108, 34/242, 595-597; 312/228
CPC D06F 58/00; D06F 58/02; D06F 58/04; D06F 58/10; D06F 58/28
See application file for complete search history.

(56) **References Cited**

U.S. PATENT DOCUMENTS

- 6,665,984 B2 * 12/2003 Bienick D06F 37/18 49/501
- D589,215 S 3/2009 Cho et al.
- D618,865 S 6/2010 Cline et al.
- D627,115 S 11/2010 Jeon et al.
- D631,623 S 1/2011 Chung et al.
- D648,084 S * 11/2011 Browne D32/28
- D681,892 S 5/2013 Meda et al.

- D694,965 S * 12/2013 Lee D32/6
- D703,887 S * 4/2014 Lee D32/8
- D708,800 S 7/2014 Choi et al.
- D718,505 S 11/2014 Hyounsub et al.
- D729,995 S * 5/2015 Song D32/6
- D748,355 S * 1/2016 Sim D32/6
- D754,937 S * 4/2016 Kim D32/8
- D758,027 S * 5/2016 Luang D32/6
- D758,030 S * 5/2016 Bixby D32/25

(Continued)

Primary Examiner — Ian Simmons

Assistant Examiner — Yolanda Robinson

(74) *Attorney, Agent, or Firm* — Price Heneveld LLP

(57) **CLAIM**

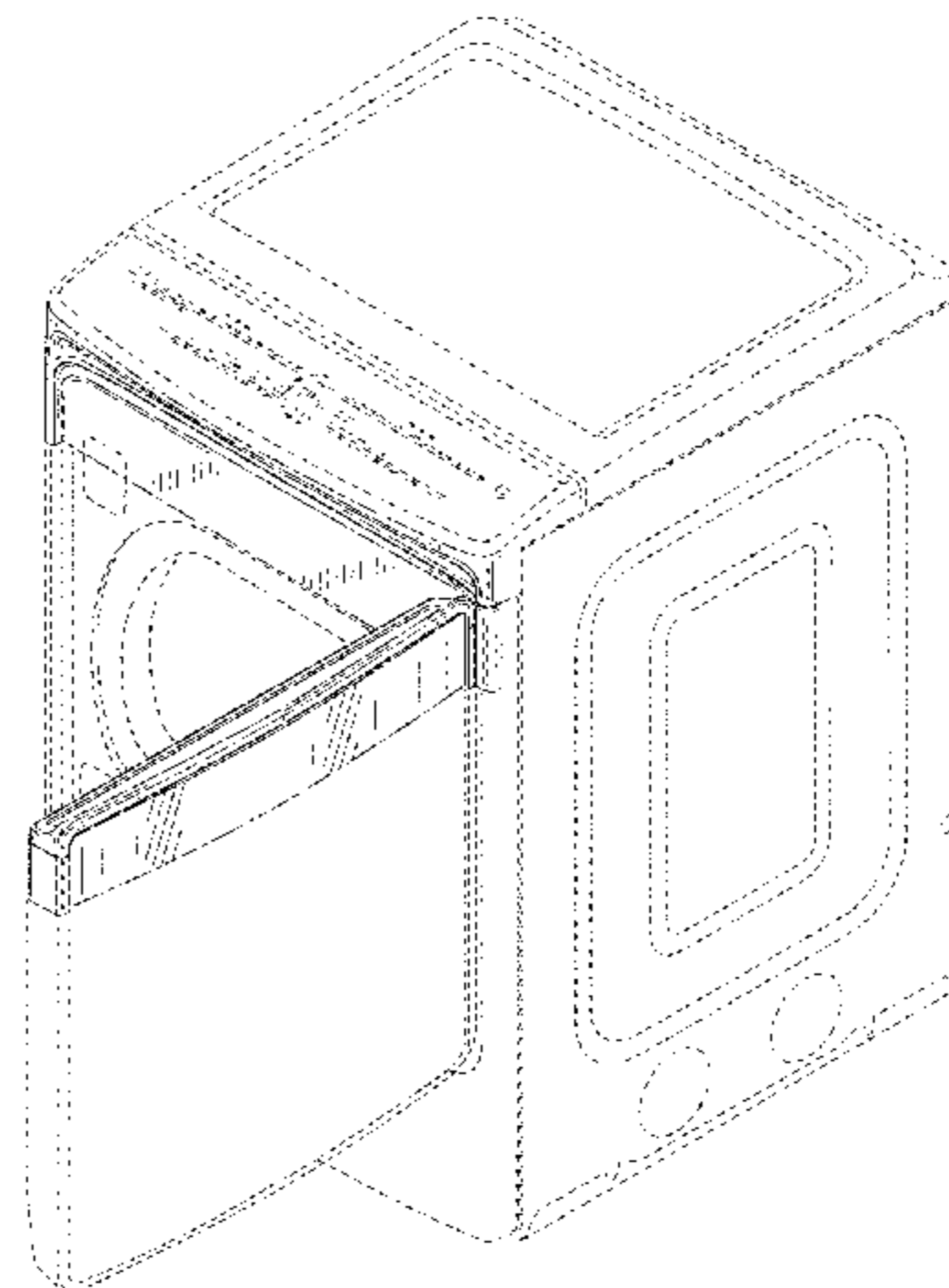
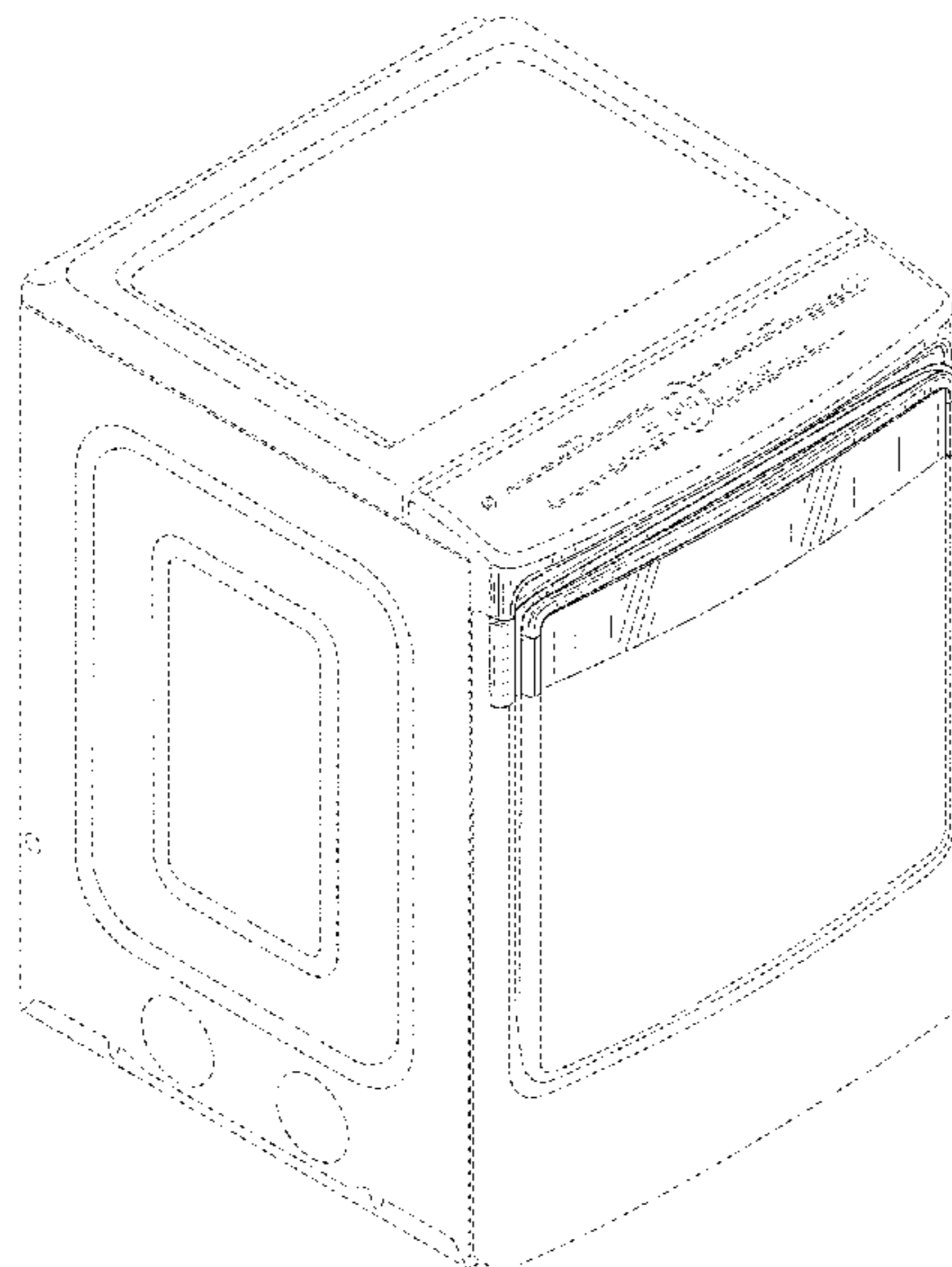
The ornamental design for a dryer, as shown and described.

DESCRIPTION

FIG. 1 is a front-left perspective view of a dryer according to our design in a closed configuration; FIG. 2 is a front elevation view thereof; FIG. 3 is a back elevation view thereof; FIG. 4 is a left side elevation view thereof; FIG. 5 is a right side elevation view thereof; FIG. 6 is a top plan view thereof; FIG. 7 is a bottom plan view thereof; FIG. 8 is a front-right perspective view of the dryer according to our design in an open configuration; FIG. 9 is a front elevation view thereof; FIG. 10 is a back elevation view thereof; FIG. 11 is a right side elevation view thereof; FIG. 12 is a left side elevation view thereof; FIG. 13 is a top plan view thereof; and, FIG. 14 is a bottom plan view thereof.

The broken lines shown in the figures are for the purpose of illustrating unclaimed portions of the washing machine, and form no part of the claimed design. Dash-dot lines adjacent un-shaded areas represent bounds of the claimed design and form no part thereof.

1 Claim, 14 Drawing Sheets



(56)

References Cited

U.S. PATENT DOCUMENTS

D759,325 S * 6/2016 Jeon D32/6
D760,968 S * 7/2016 Choi D32/8
2003/0042654 A1* 3/2003 Bienick D06F 37/18
264/239
2014/0210324 A1* 7/2014 Kilgore D06F 39/14
312/228.1
2014/0373284 A1* 12/2014 Leibman D06F 39/022
8/137
2015/0076977 A1* 3/2015 Kim D06F 39/005
312/228
2015/0345069 A1* 12/2015 Leibman D06F 39/022
68/17 R
2016/0047077 A1* 2/2016 Leibman D06F 39/028
68/17 R
2016/0047078 A1* 2/2016 Leibman D06F 39/028
8/137
2016/0076187 A1* 3/2016 Lee D06F 37/28
312/228

* cited by examiner

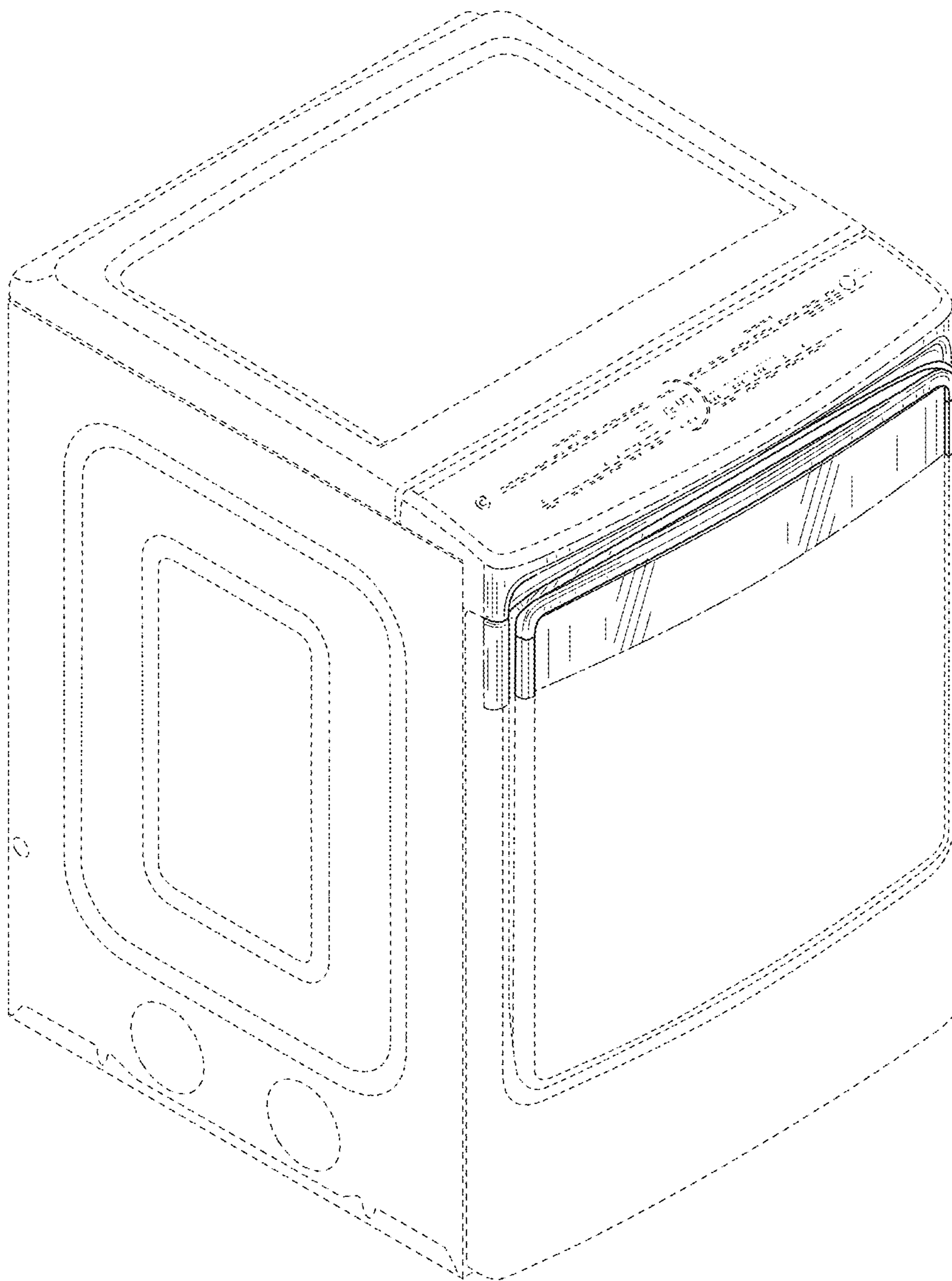


FIG. 1

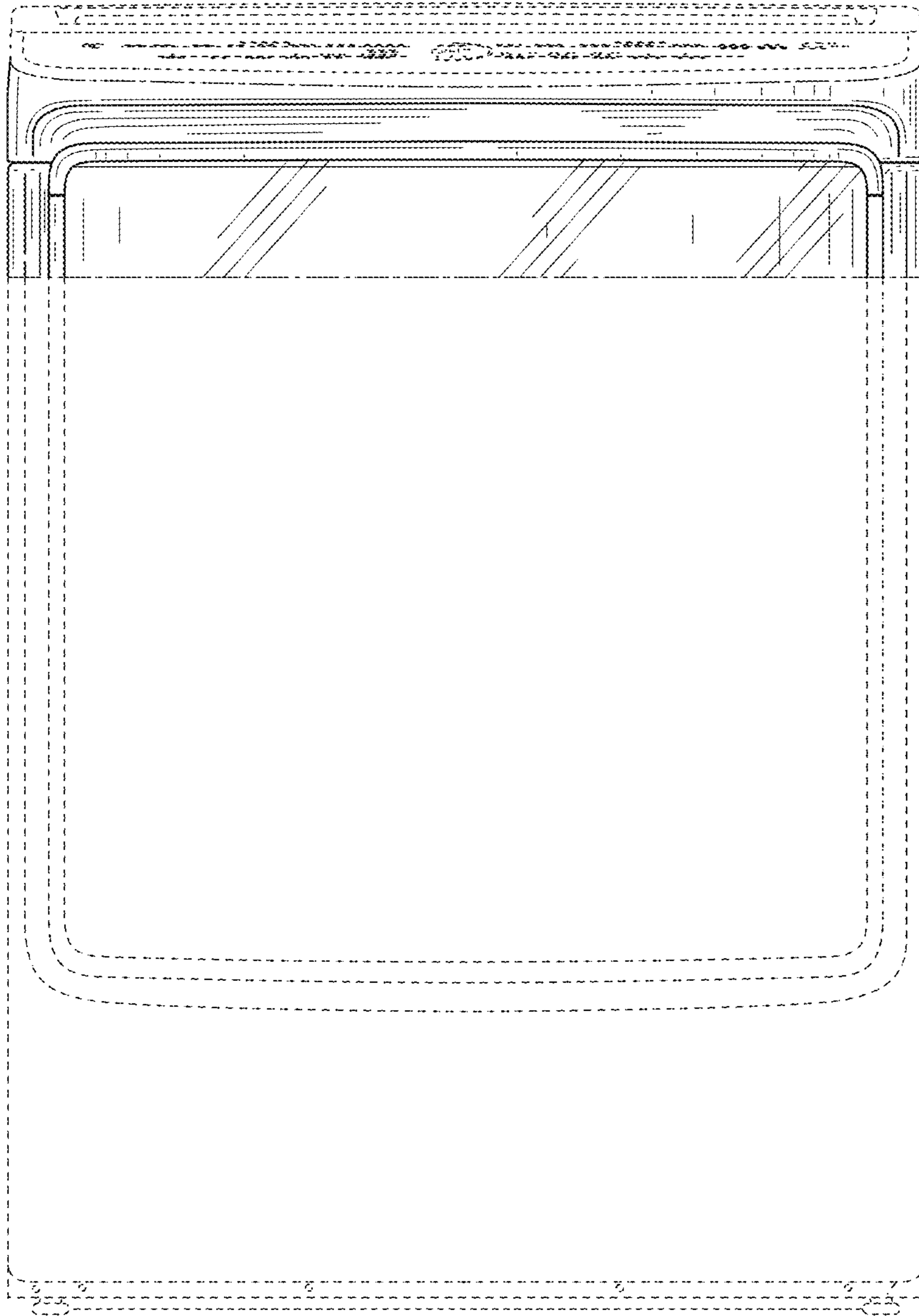


FIG. 2

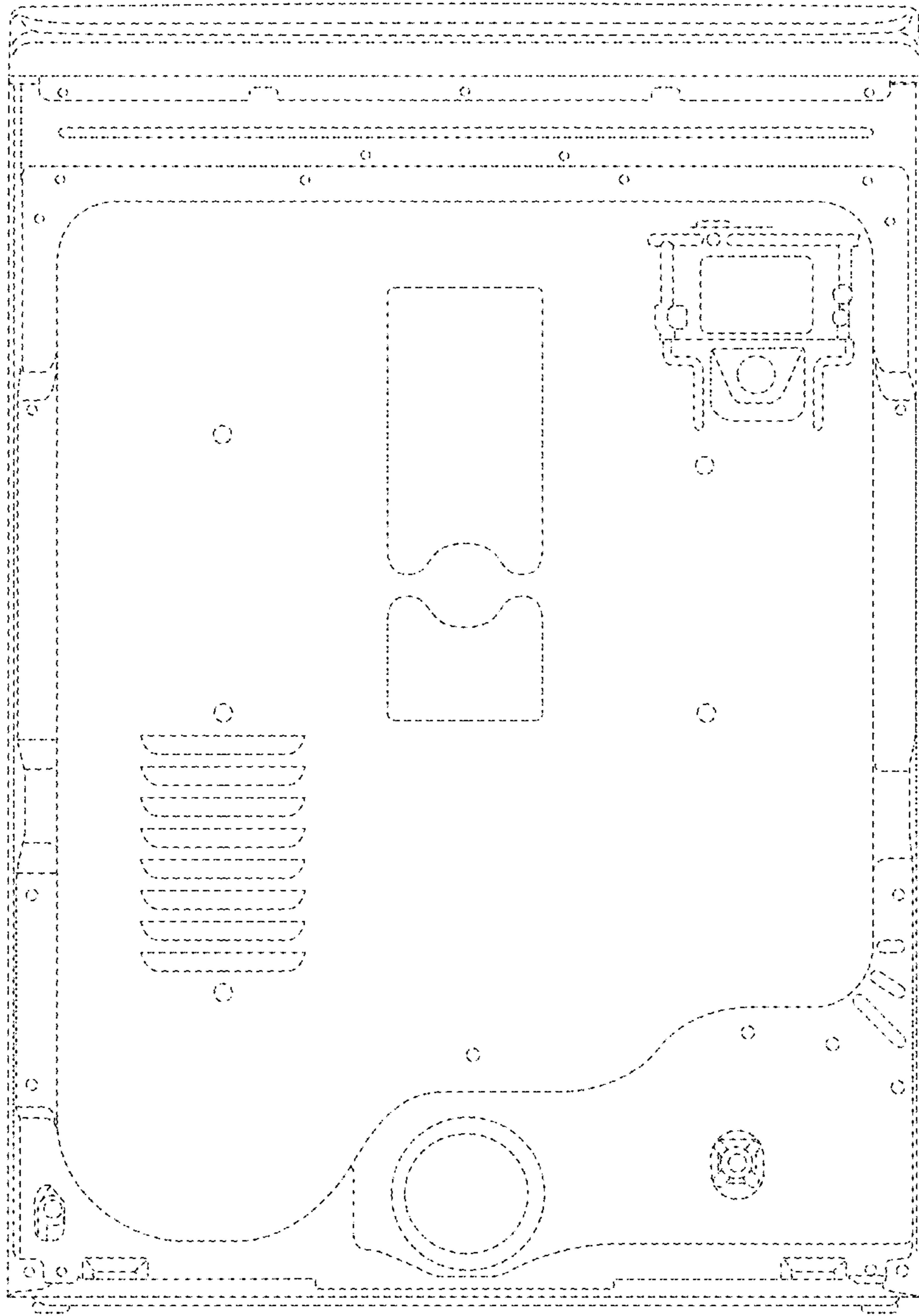


FIG. 3

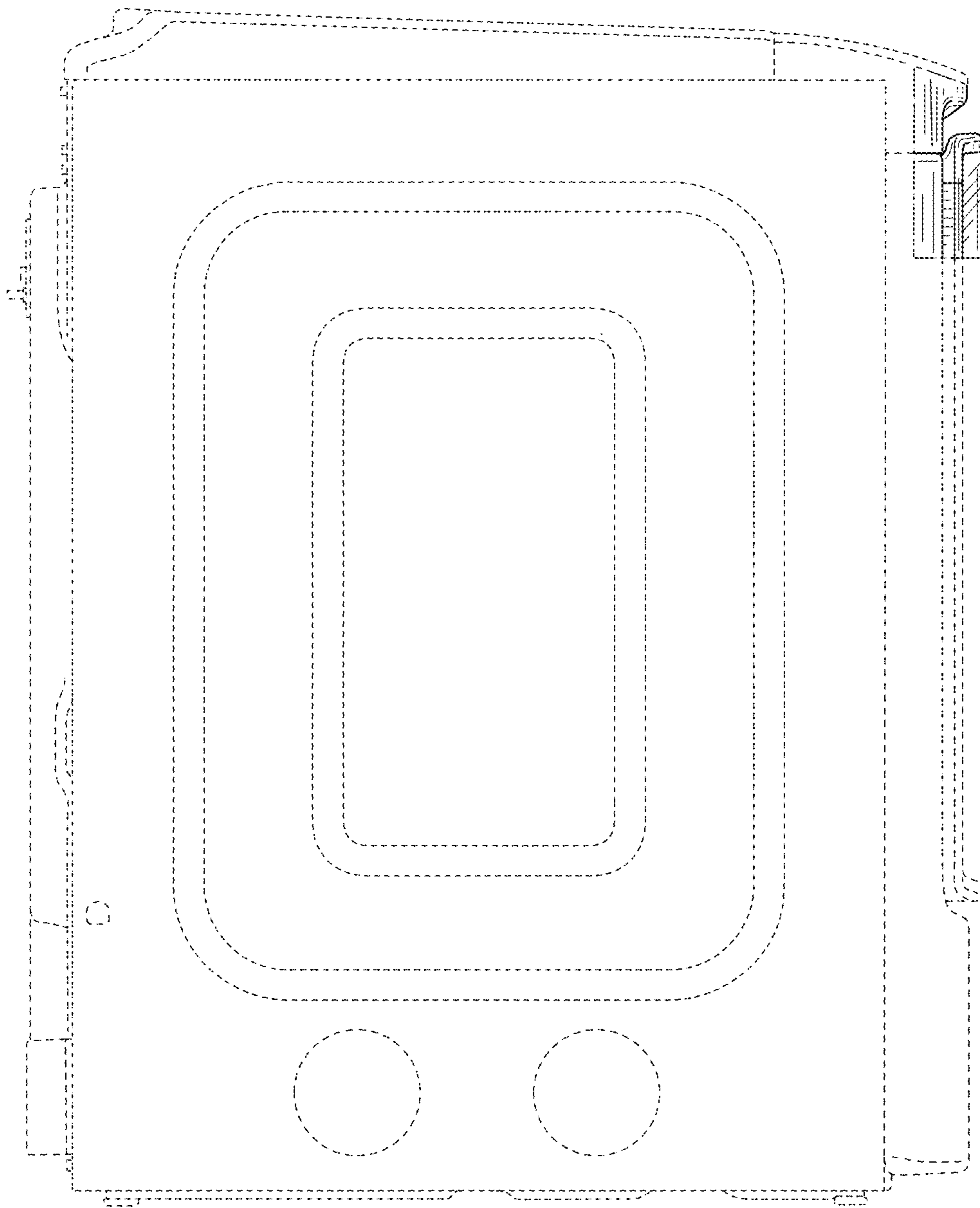


FIG. 4

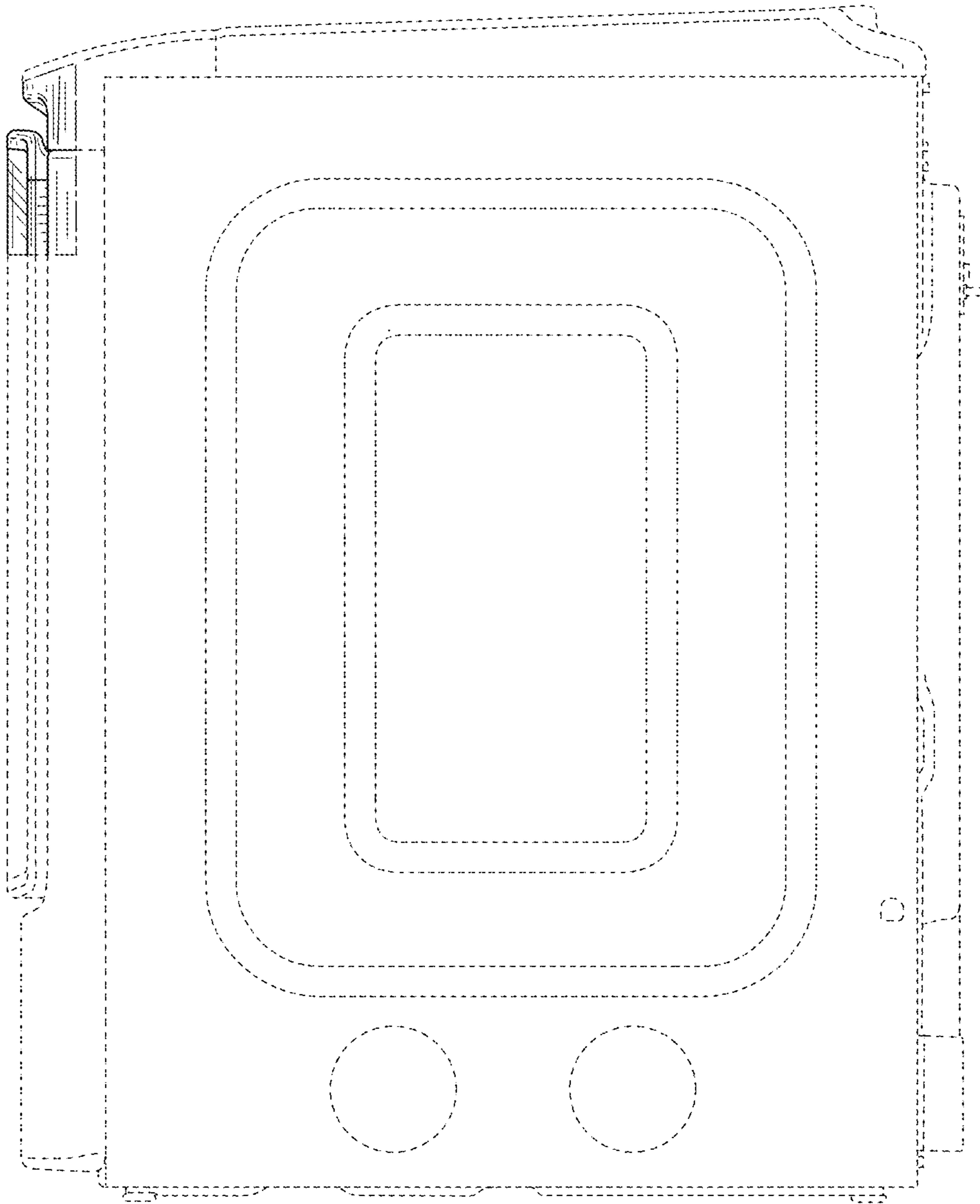


FIG. 5

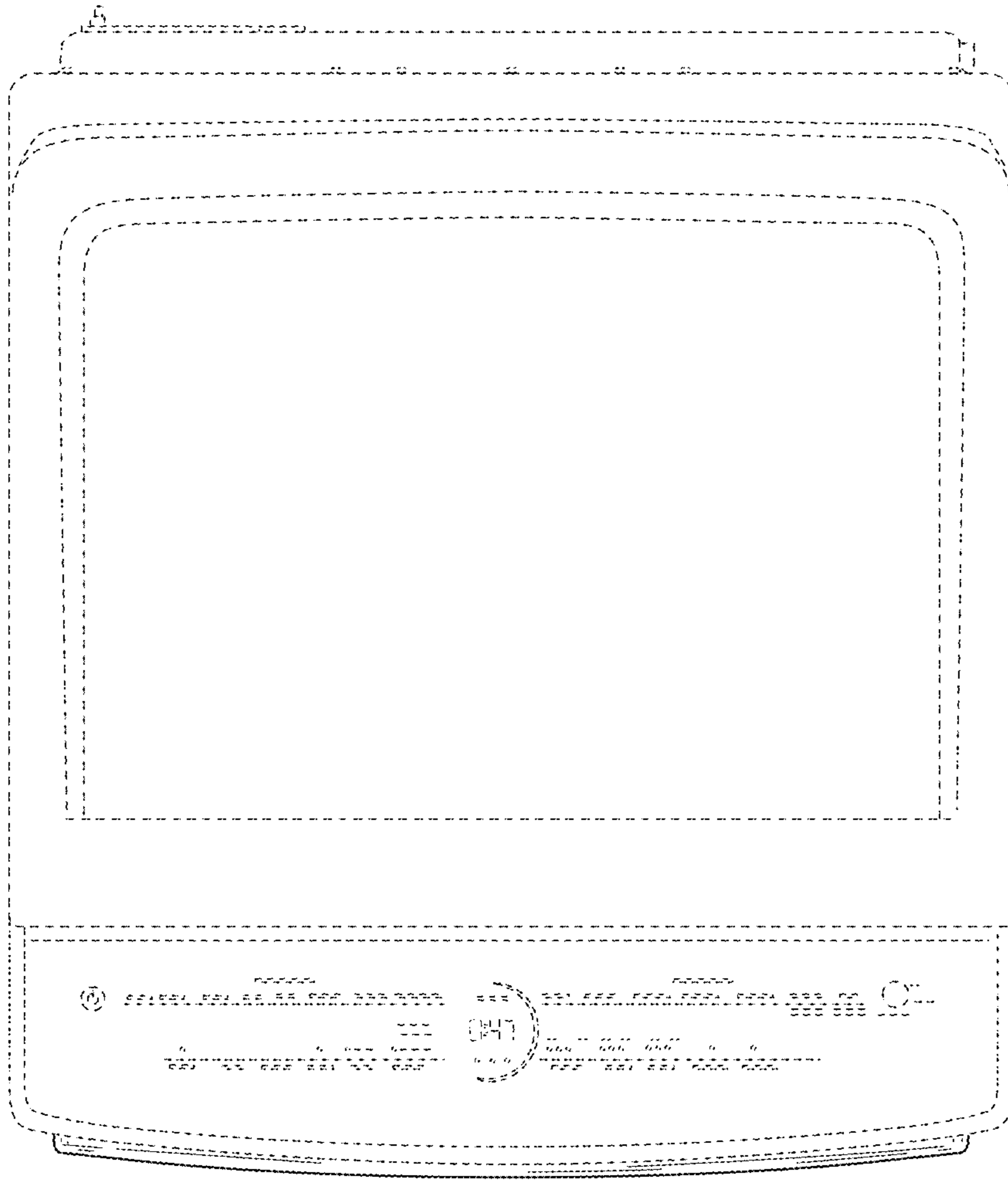


FIG. 6

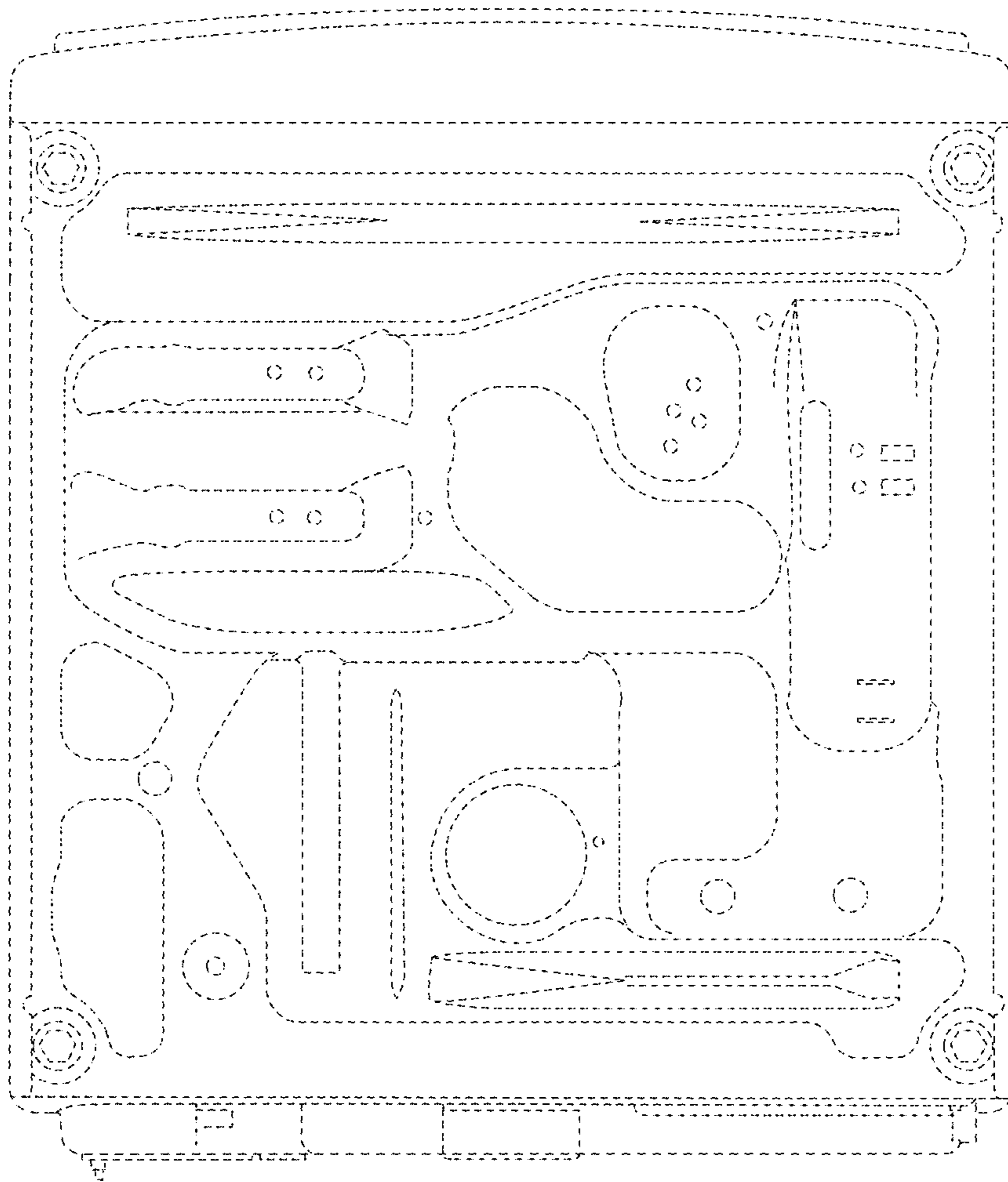


FIG. 7

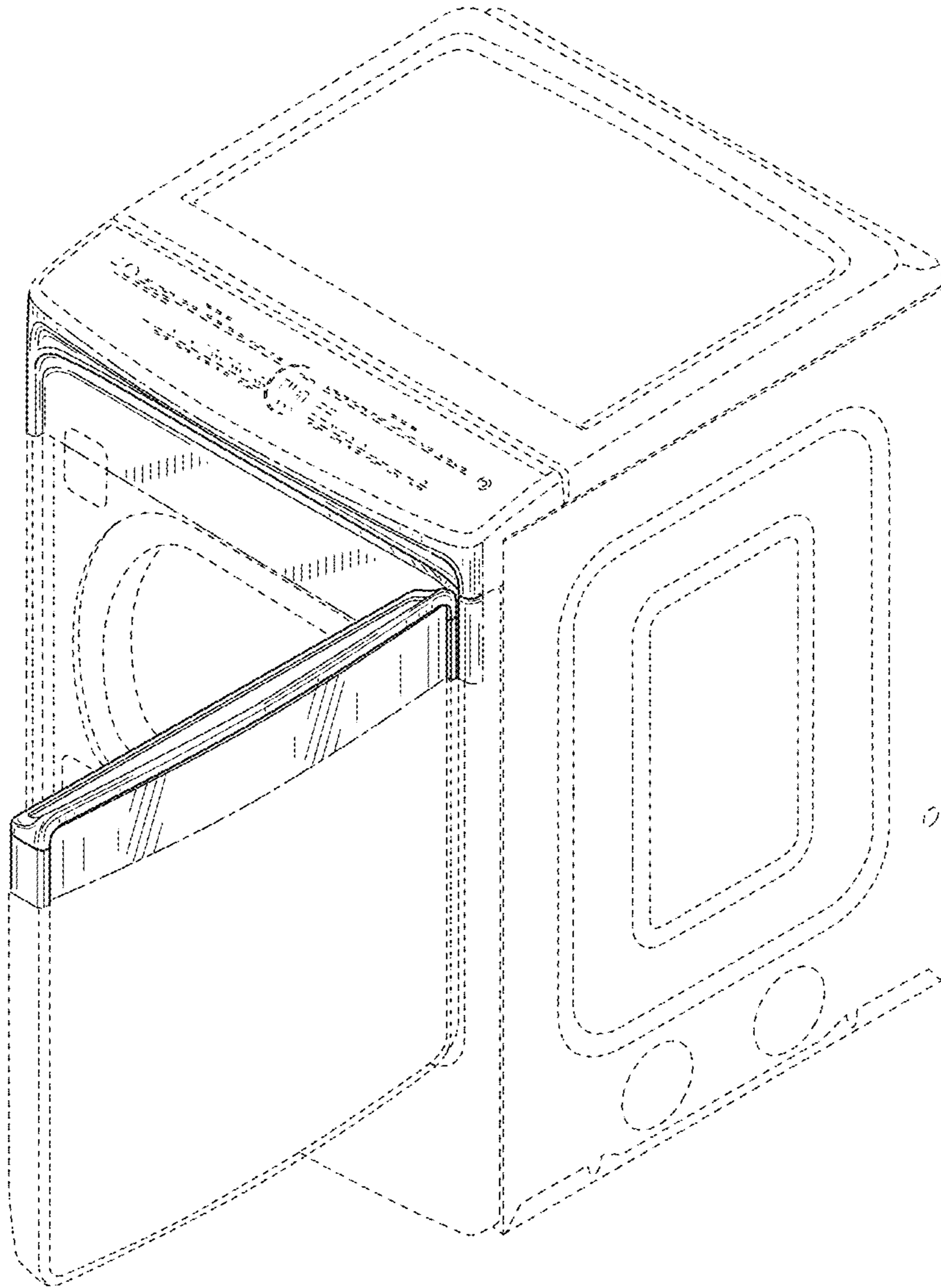


FIG. 8

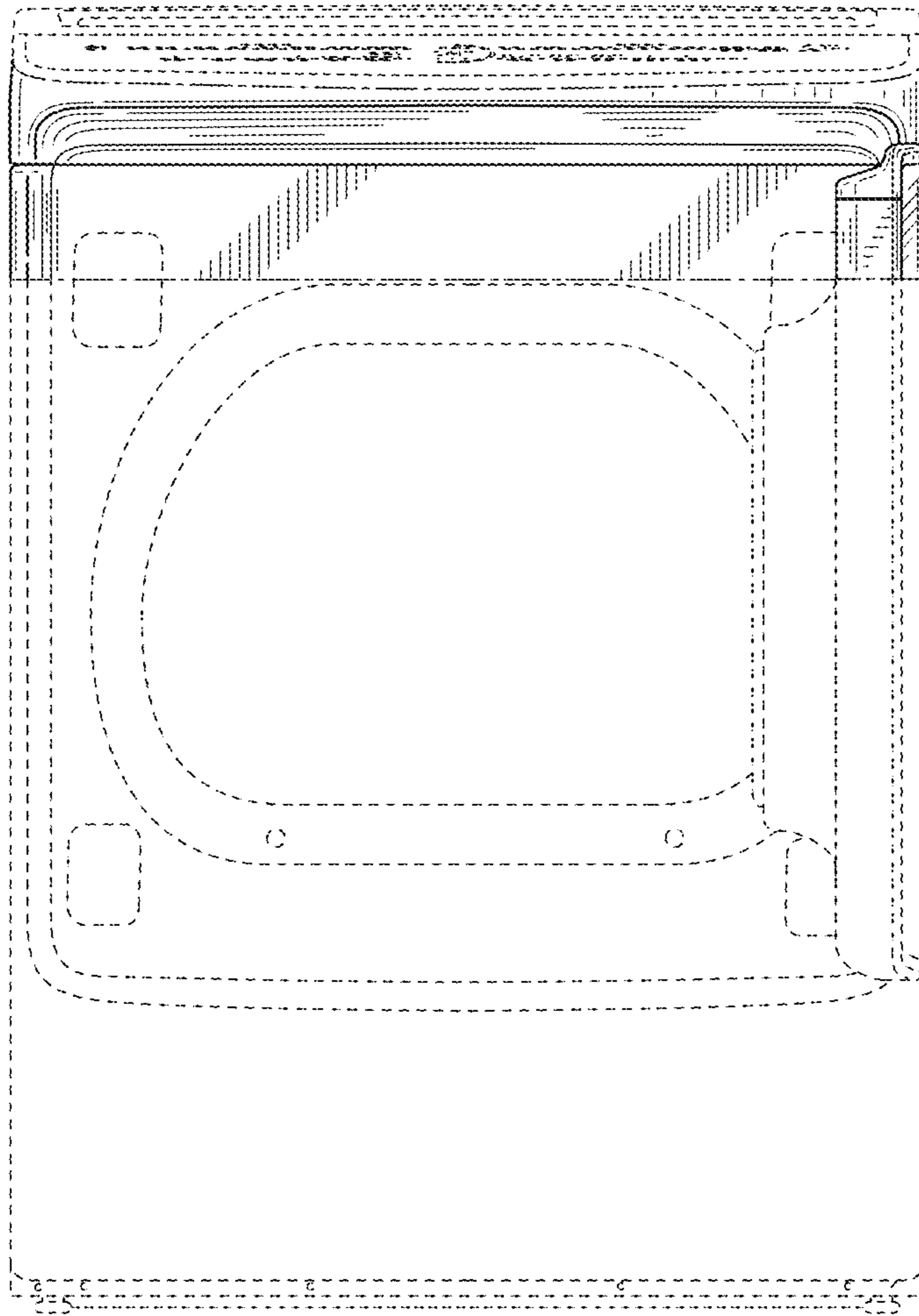


FIG. 9

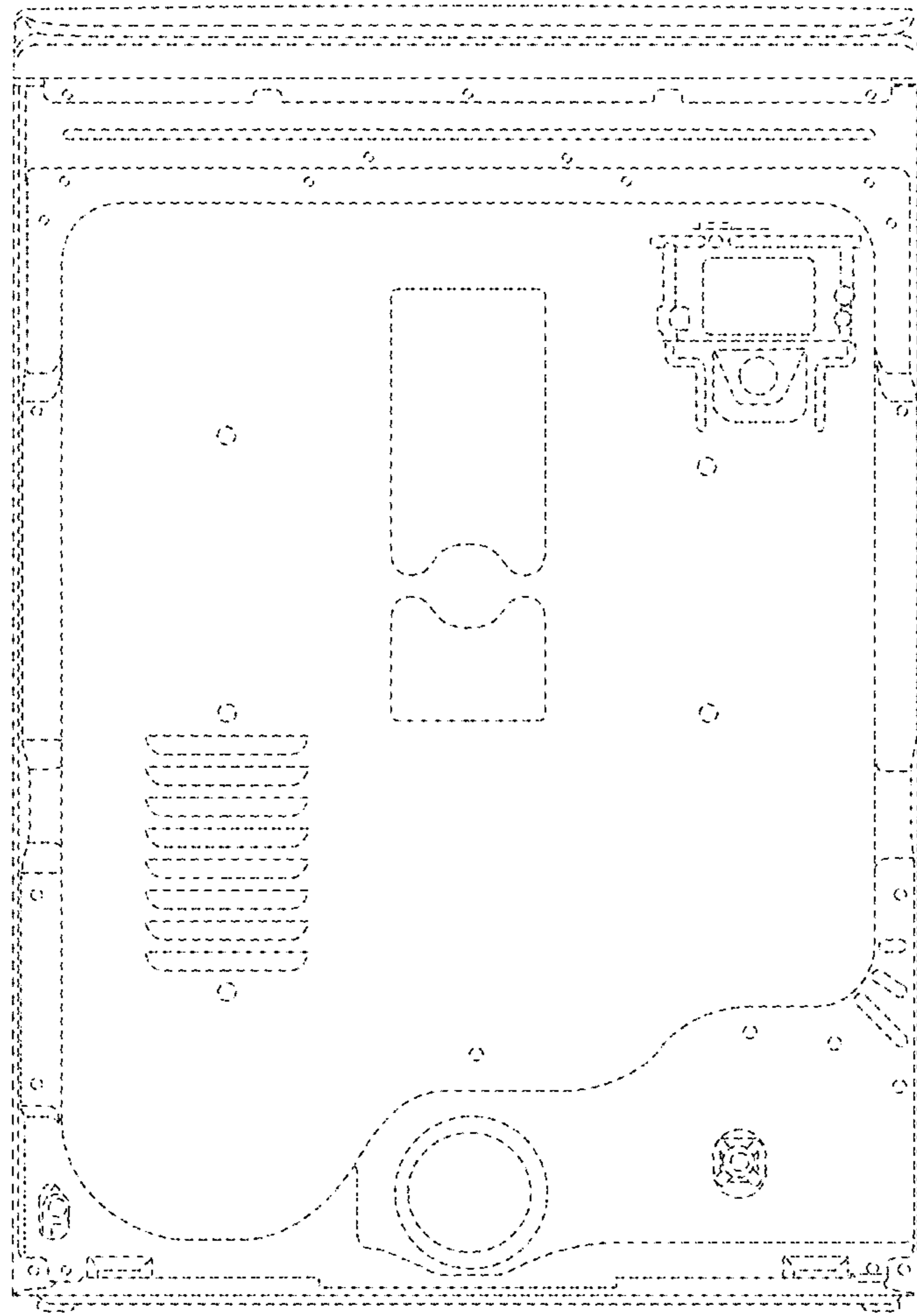


FIG. 10

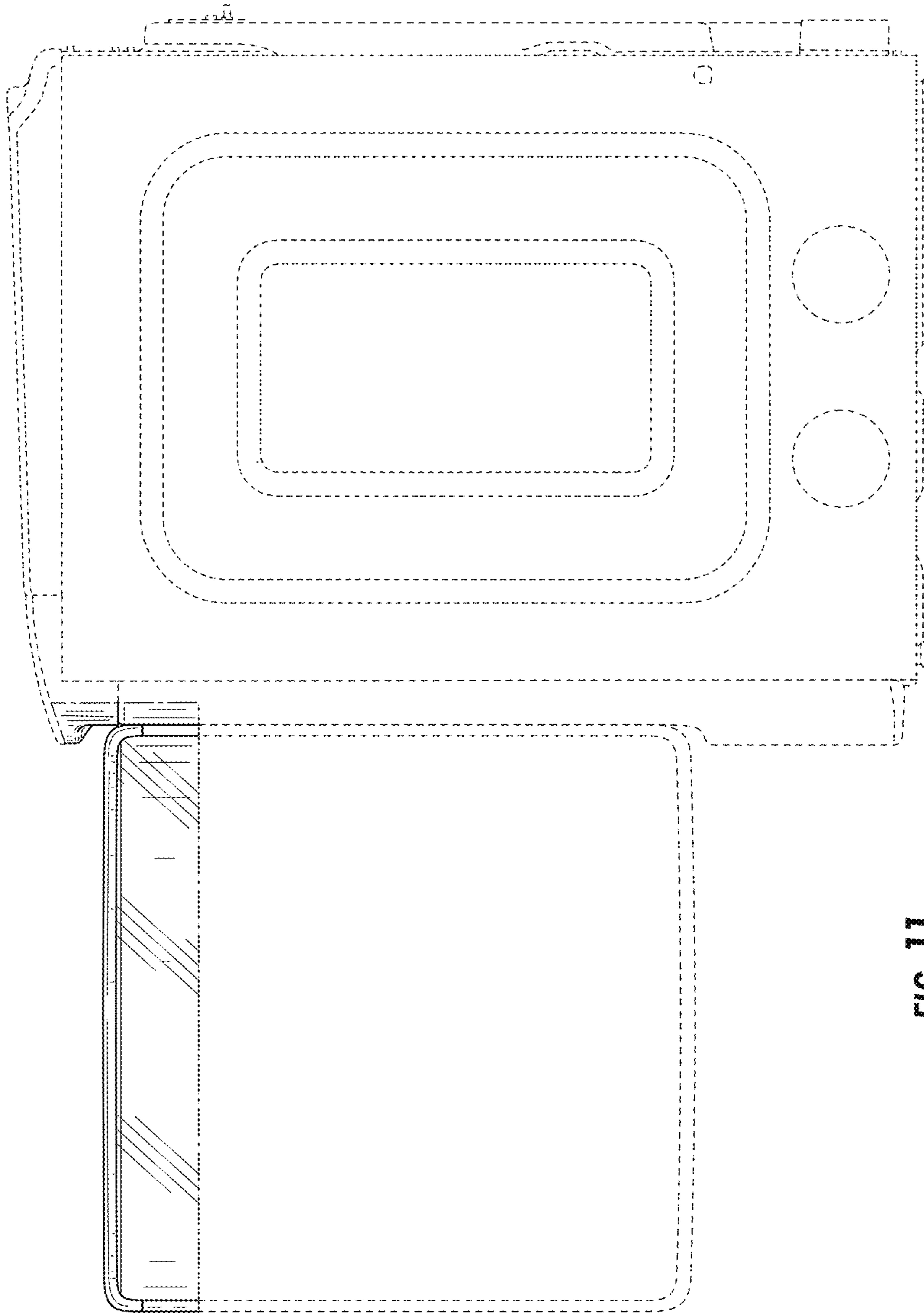


FIG. 11

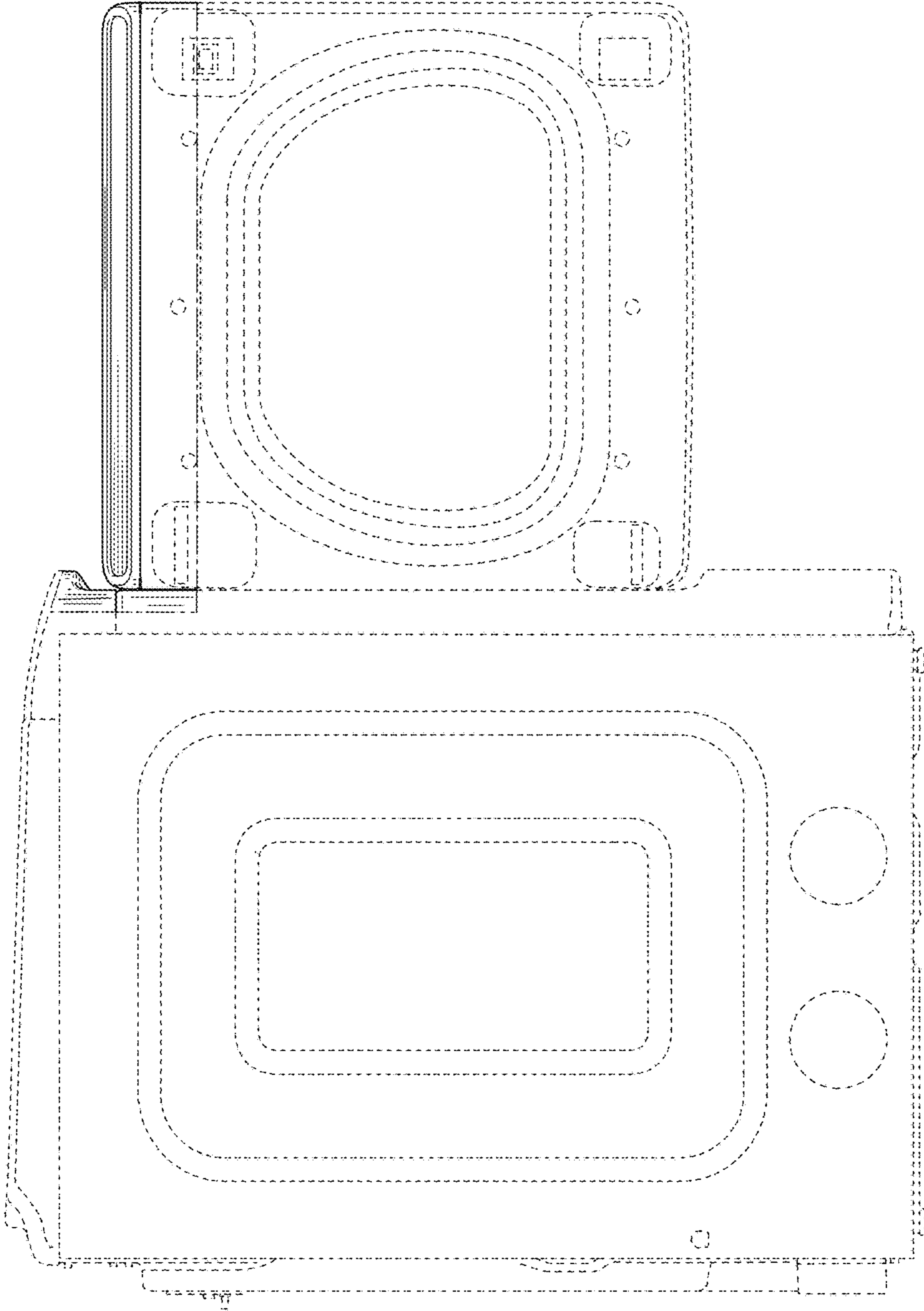


FIG. 12

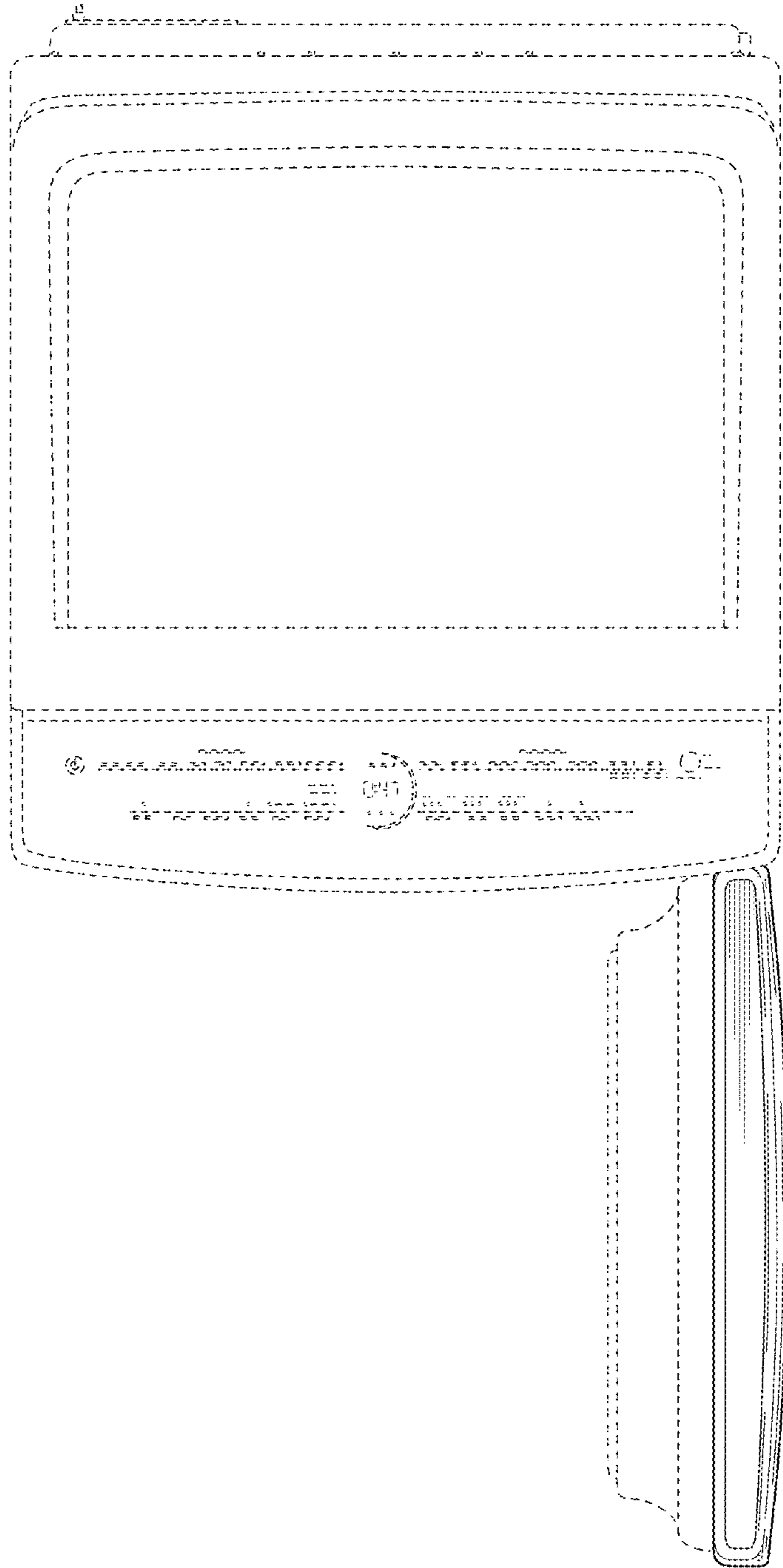


FIG. 13

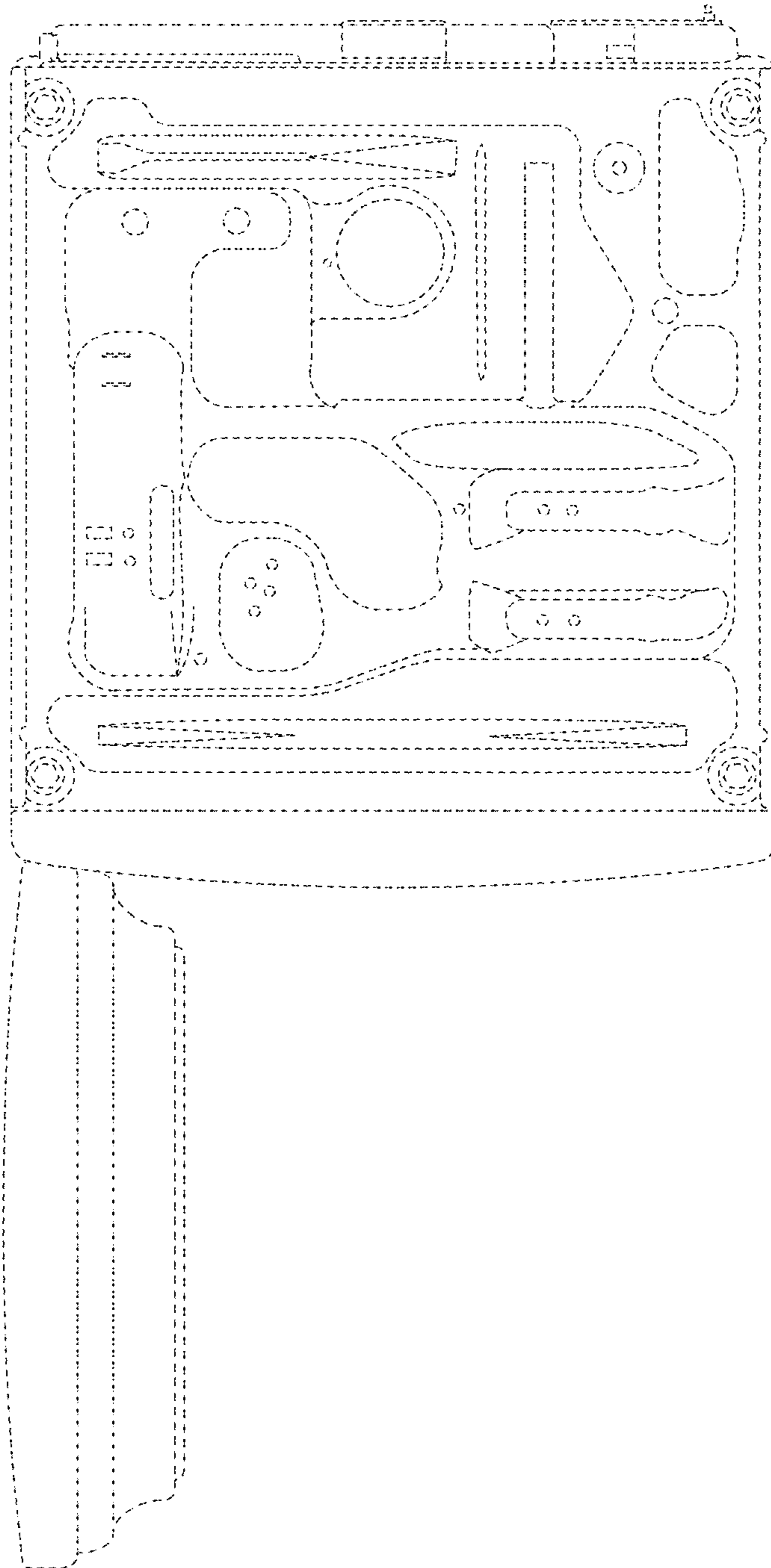


FIG. 14