



US00D826491S

(12) **United States Design Patent**
Yang et al.

(10) **Patent No.: US D826,491 S**

(45) **Date of Patent: ** Aug. 21, 2018**

(54) **AIR BLOWER**

(71) Applicant: **ZHEJIANG PRULDE ELECTRIC APPLIANCE CO., LTD., Jinhua (CN)**

(72) Inventors: **Weiming Yang, Jinhua (CN); Ting Han, Jinhua (CN)**

(73) Assignee: **Zhejiang Prulde Electric Appliance Co., Ltd., Zhejiang (CN)**

(**) Term: **15 Years**

(21) Appl. No.: **29/573,753**

(22) Filed: **Aug. 9, 2016**

(30) **Foreign Application Priority Data**

Apr. 18, 2016 (CN) 2016 3 0129301

(51) **LOC (11) Cl.** **15-05**

(52) **U.S. Cl.**
USPC **D32/15**

(58) **Field of Classification Search**
USPC D15/11, 12, 5, 17; D32/1, 15-19, 21, 25;
D23/213, 383

CPC ... A47L 5/14; A47L 9/32; A01G 1/125; F04B
17/00; F04B 35/04

See application file for complete search history.

(56) **References Cited**

U.S. PATENT DOCUMENTS

D258,908 S *	4/1981	Satoh	417/234
D322,971 S *	1/1992	Tuggle	D15/13
D359,603 S *	6/1995	Rakocy	D32/15
D363,149 S *	10/1995	Franke	D15/17
D400,322 S *	10/1998	Webster	D32/15
D408,950 S *	4/1999	Basham	D15/12

D431,697 S *	10/2000	Hayakawa	D32/15
D461,604 S *	8/2002	Martin	D32/15
D469,931 S *	2/2003	Nawrozki	D32/15
6,552,891 B1 *	4/2003	Prach	A47L 5/14 361/212
D480,844 S *	10/2003	Noma	D32/15
D497,692 S *	10/2004	Nawrozki	D32/15
D498,885 S *	11/2004	Robson	D32/15
D526,750 S *	8/2006	Ito	D32/15
D538,984 S *	3/2007	King	D32/15
D558,939 S *	1/2008	Yuasa	D32/15
D569,055 S *	5/2008	Bochmann	D32/15
D577,113 S *	9/2008	Tinius	D23/383
D584,461 S *	1/2009	Sweeney	D32/15
D591,916 S *	5/2009	Kosugi	D32/15
D594,961 S *	6/2009	Tinius	D23/383
D605,819 S *	12/2009	Tinius	D32/15
D615,716 S *	5/2010	Tinius	D32/15
D638,035 S *	5/2011	Kosugi	D15/5

* cited by examiner

Primary Examiner — Michelle E. Wilson

(74) *Attorney, Agent, or Firm* — JCIPRNET

(57) **CLAIM**

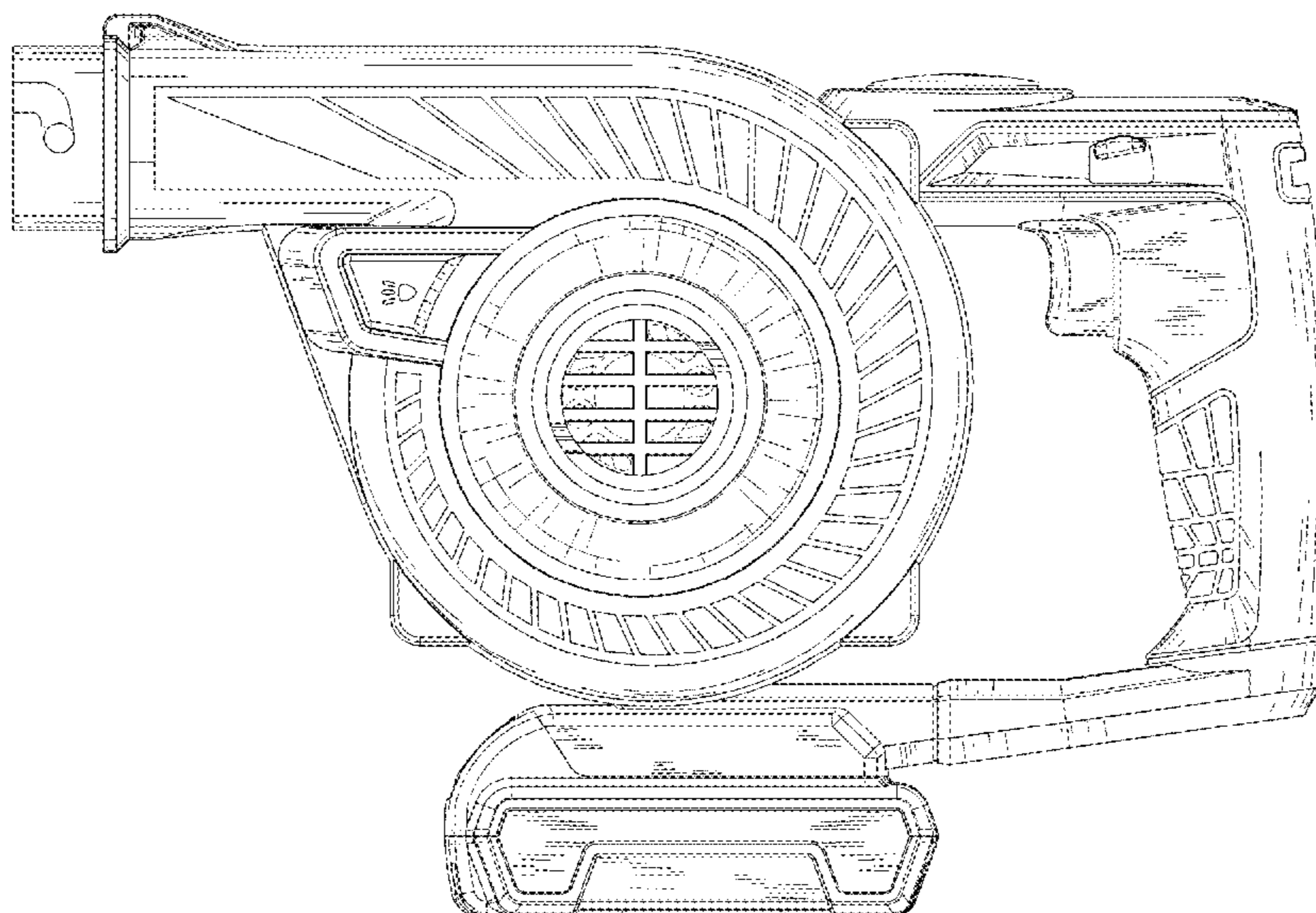
The ornamental design for an air blower, as shown and described.

DESCRIPTION

FIG. 1 is a right view showing my new design;
 FIG. 2 is a front view thereof;
 FIG. 3 is a rear view thereof;
 FIG. 4 is a left view thereof;
 FIG. 5 is a top view thereof;
 FIG. 6 is a bottom view thereof; and,
 FIG. 7 is a perspective view thereof.

The broken lines shown unclaimed portions of the article form no part of the claimed design.

1 Claim, 7 Drawing Sheets



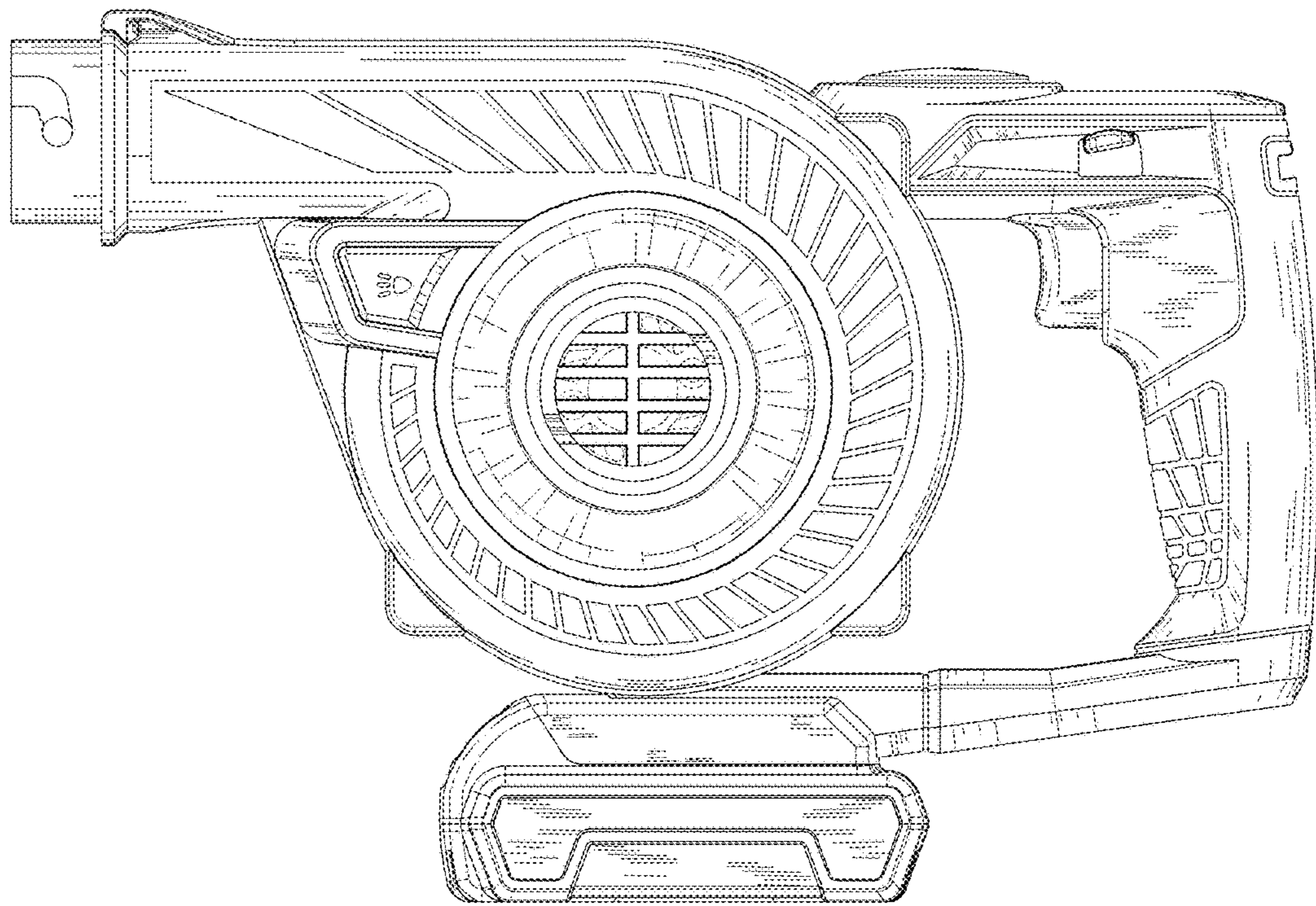


FIG. 1

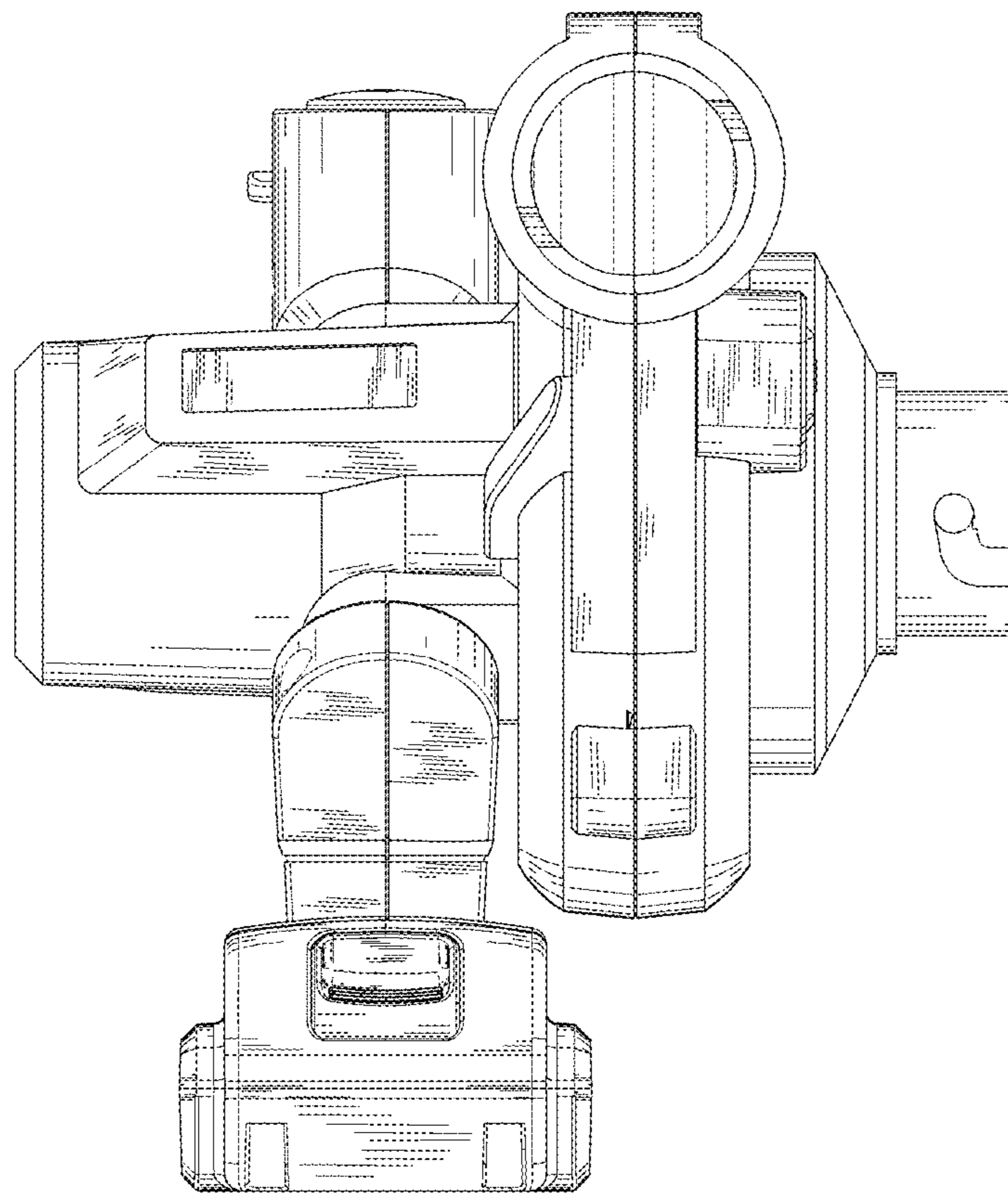


FIG. 2

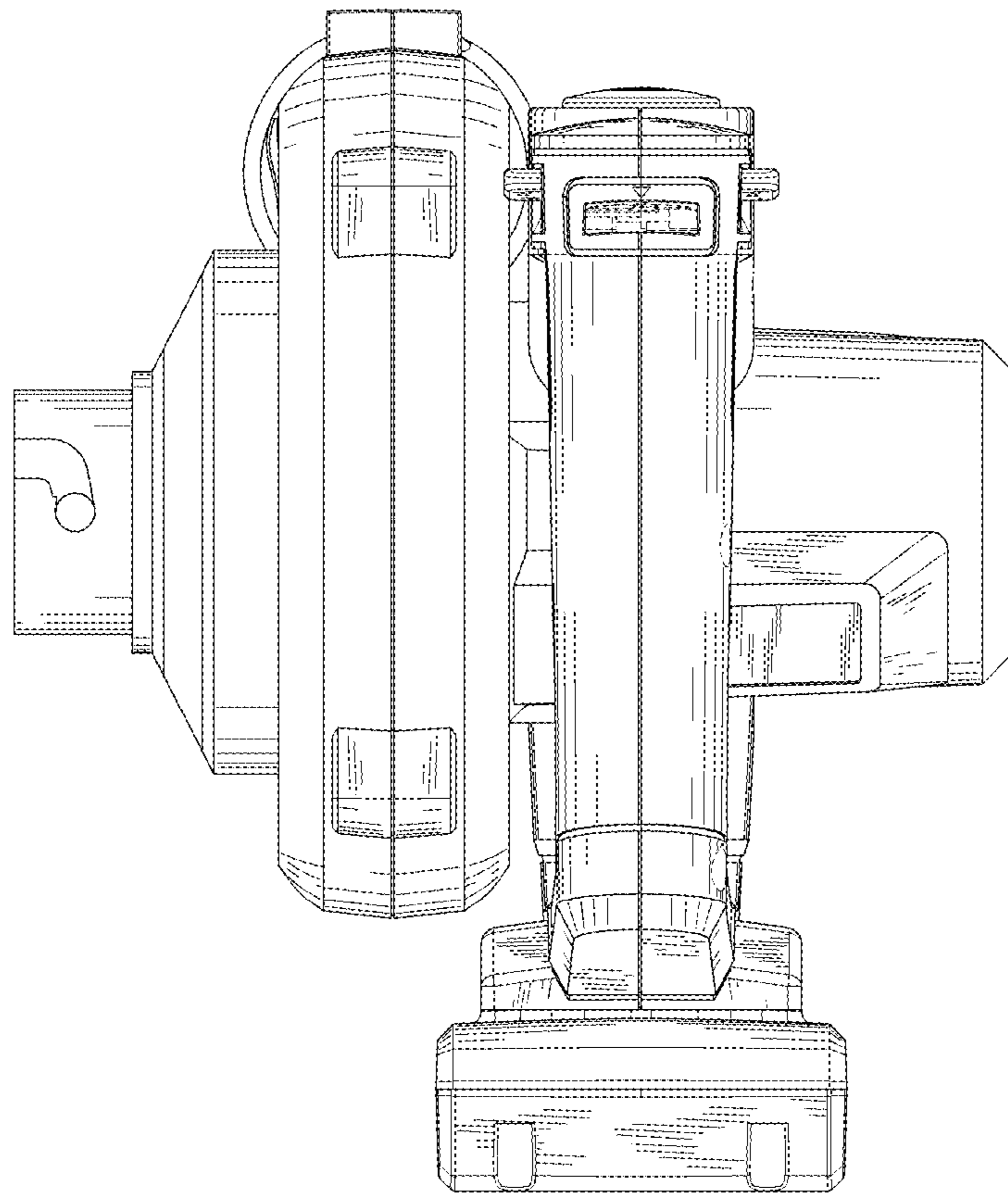


FIG. 3

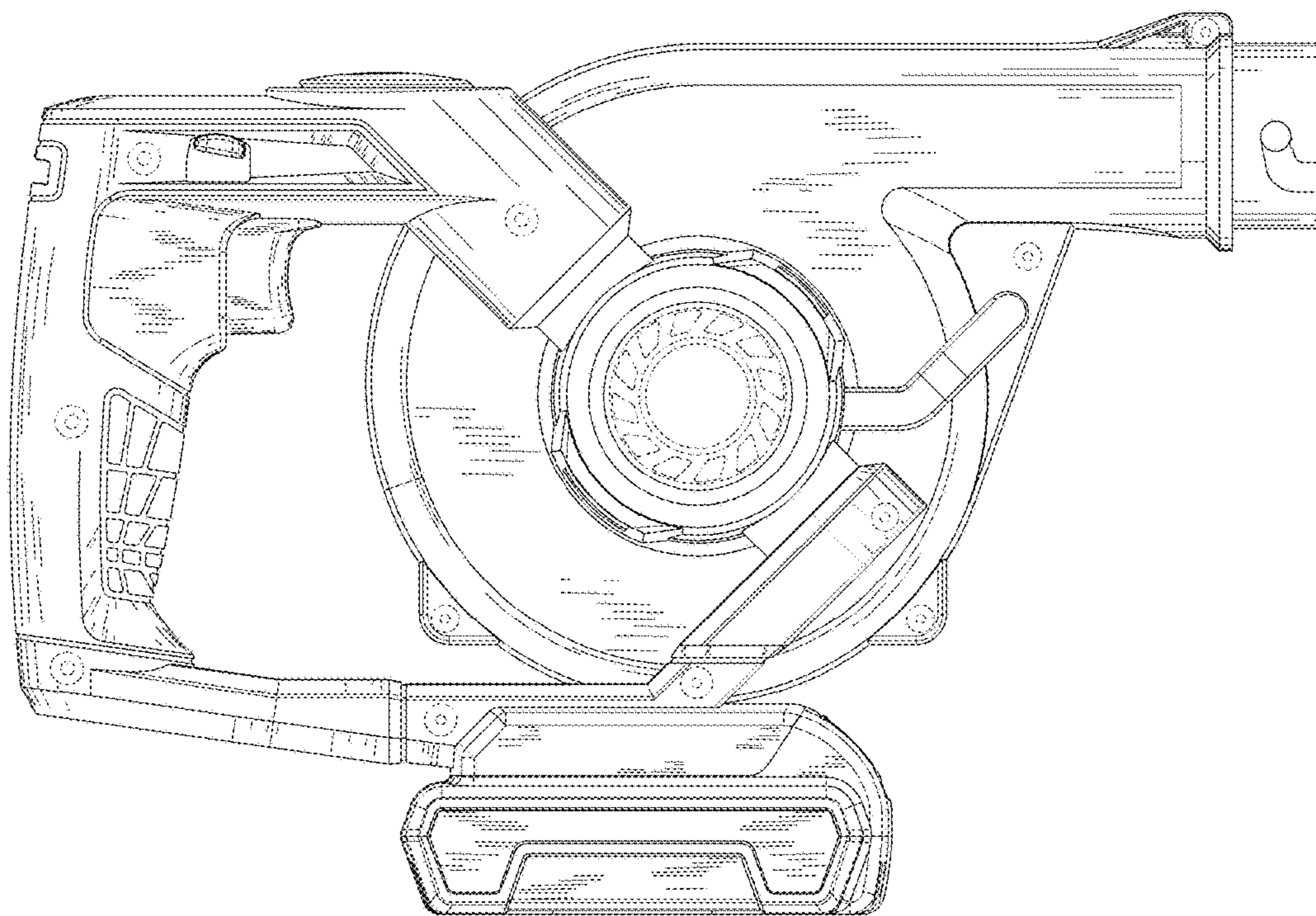


FIG. 4

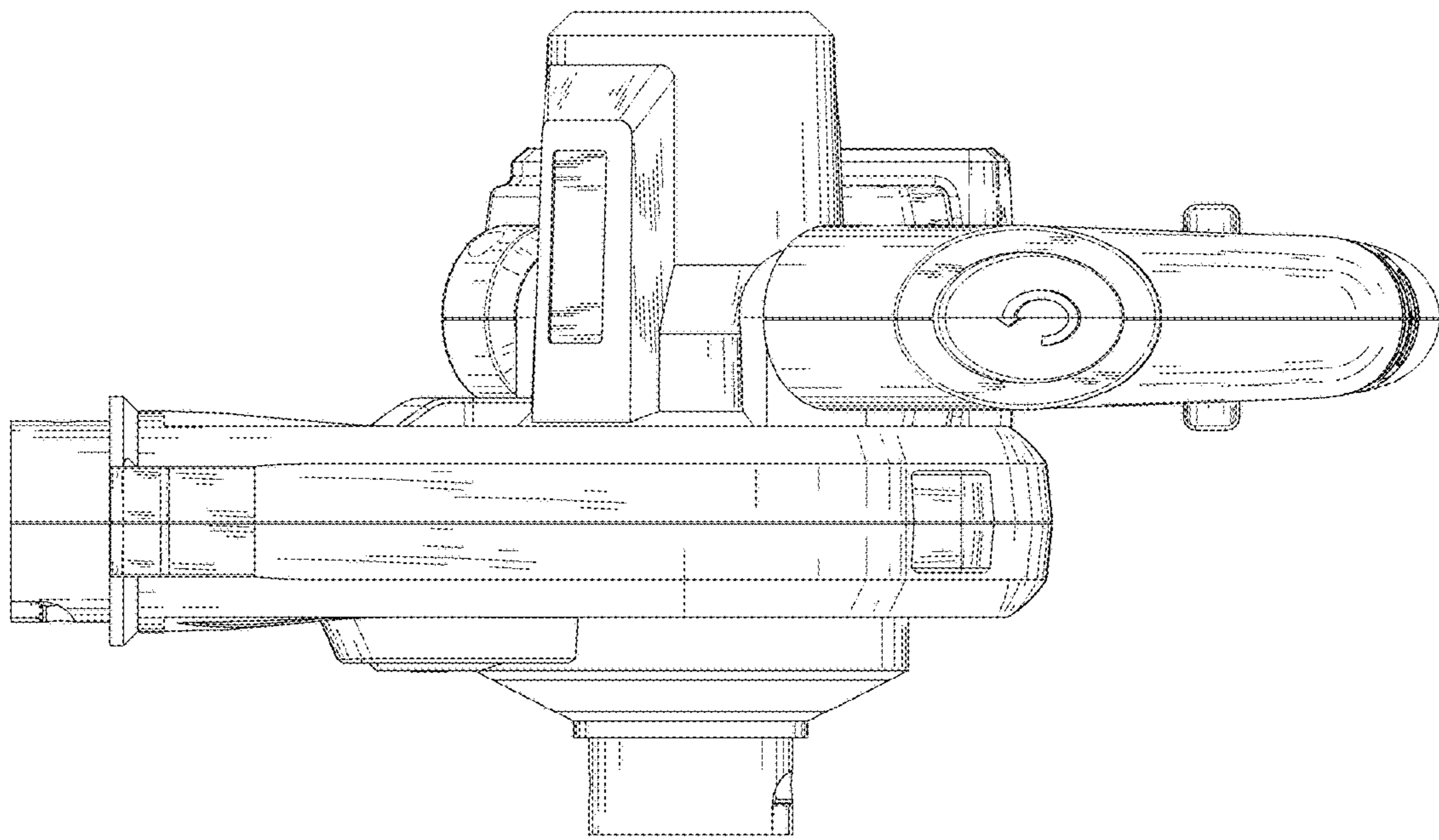


FIG. 5

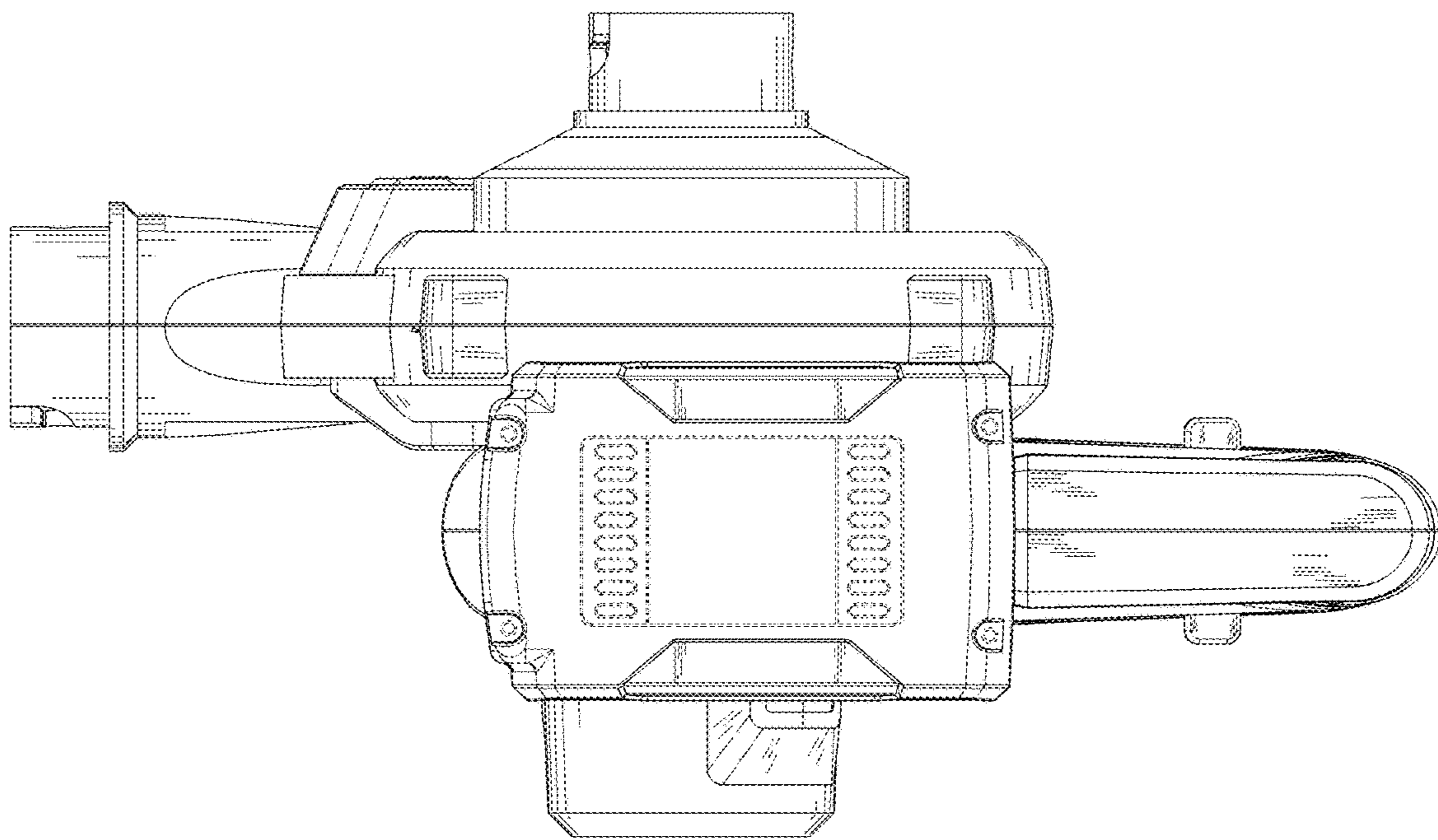


FIG. 6

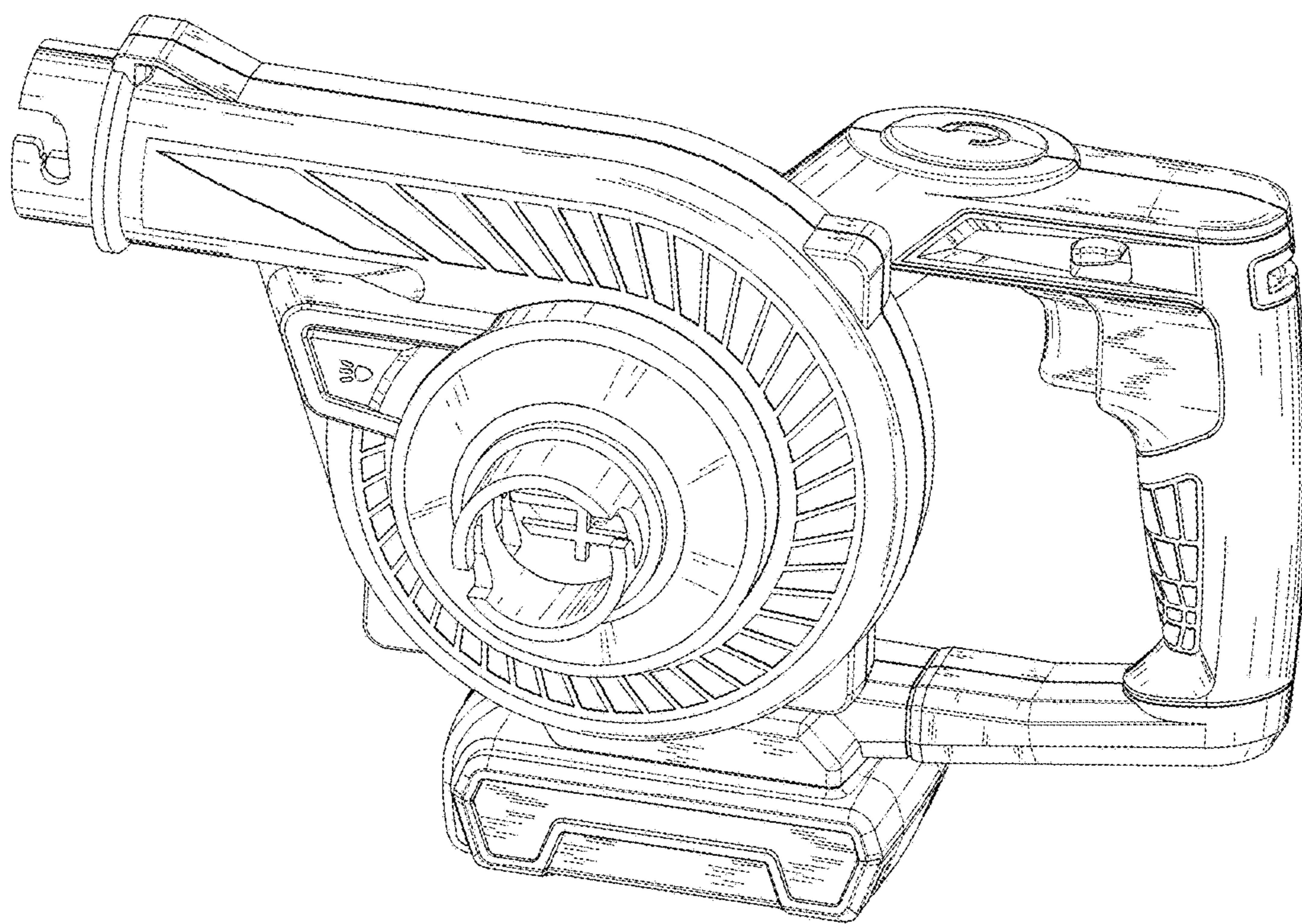


FIG. 7