



US00D826489S

(12) **United States Design Patent** (10) **Patent No.:** **US D826,489 S**
Yoon et al. (45) **Date of Patent:** **** Aug. 21, 2018**

(54) **WASHING MACHINE**
(71) Applicant: **SAMSUNG ELECTRONICS CO., LTD.**, Suwon-si, Gyeonggi-do (KR)
(72) Inventors: **Sanghun Yoon**, Seoul (KR); **Yuna Park**, Seoul (KR); **Myunggyu Kim**, Seoul (KR); **Ahjung Joo**, Seoul (KR)
(73) Assignee: **SAMSUNG ELECTRONICS CO., LTD.**, Gyeonggi-Do (KR)
(**) Term: **15 Years**
(21) Appl. No.: **29/590,829**

D517,257 S 3/2006 Kim et al.
D527,150 S 8/2006 Jun
D527,853 S 9/2006 Carey et al.
D532,941 S 11/2006 Carey et al.
D538,488 S 3/2007 Carey et al.
D542,487 S 5/2007 Jun
D542,986 S 5/2007 Crookshanks
D542,987 S 5/2007 Crookshanks
D556,394 S 11/2007 Kim et al.
D575,012 S 8/2008 Rossetto et al.
D575,913 S 8/2008 Jeon et al.
D577,162 S 9/2008 Shail et al.
D588,757 S * 3/2009 Park D32/6
D617,960 S 6/2010 Bohm et al.
D620,650 S * 7/2010 Lee D32/6
D625,476 S * 10/2010 Lee D32/6

(Continued)

(22) Filed: **Jan. 13, 2017**
(30) **Foreign Application Priority Data**
Nov. 29, 2016 (KR) 30-2016-0057634
(51) **LOC (11) Cl.** **15-05**
(52) **U.S. Cl.**
USPC **D32/6**
(58) **Field of Classification Search**
USPC D32/1, 5, 6, 8, 12, 25, 28, 29
CPC D06F 33/02; D06F 39/02; D06F 2204/065;
D06F 25/00; D06F 35/006; D06F 58/00;
D06F 58/02; D06F 58/04; D06F 58/20;
D06F 23/04; G05B 19/042
See application file for complete search history.

FOREIGN PATENT DOCUMENTS

CN 303423821 S 10/2015
KR 300387514 S 7/2005
KR 300768037 S 11/2014

Primary Examiner — Michelle E Wilson
(74) *Attorney, Agent, or Firm* — Cantor Colburn LLP

(57) **CLAIM**

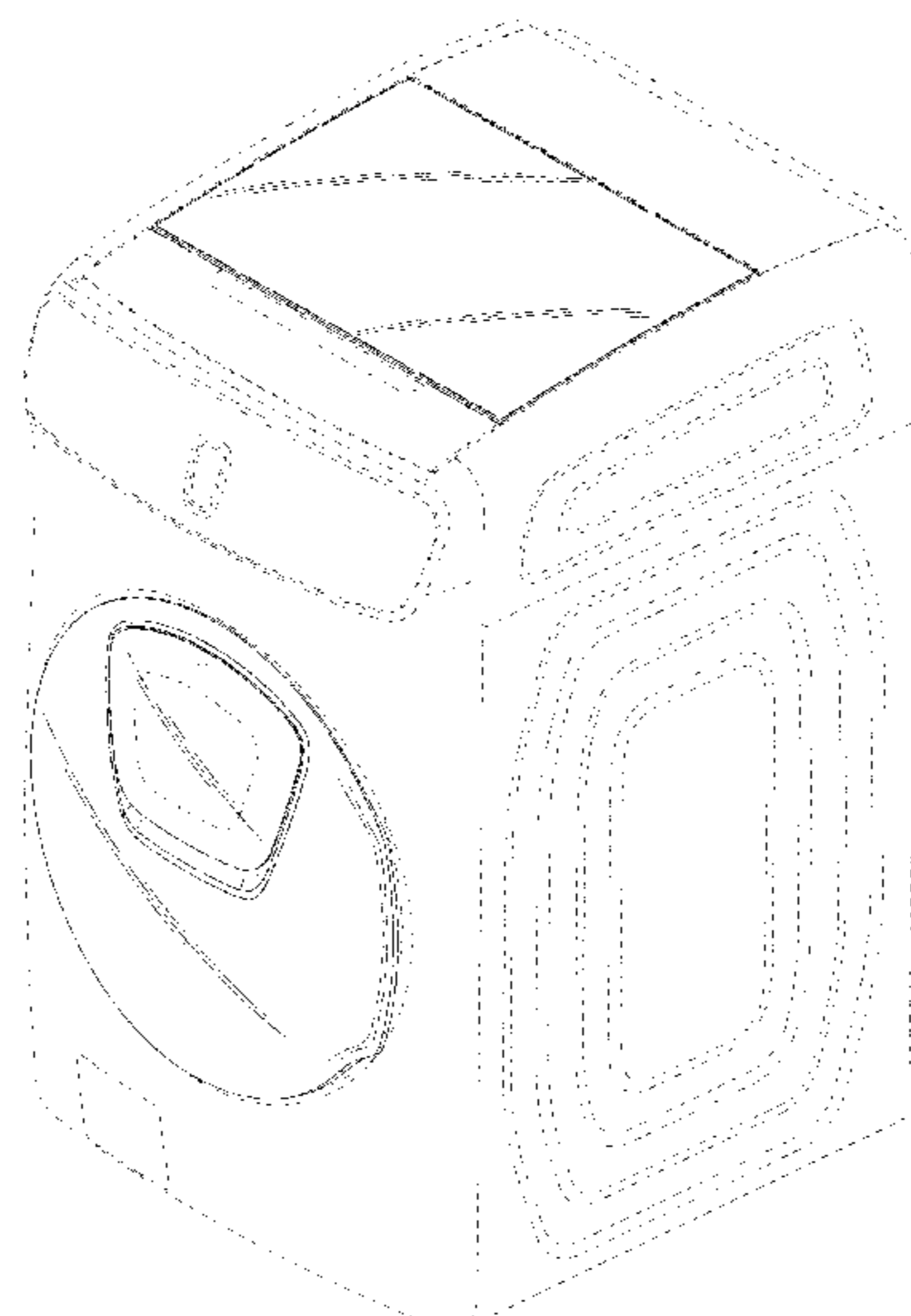
We claim the ornamental design for a washing machine, as shown and described.

DESCRIPTION

FIG. 1 is the front perspective view of a washing machine showing our new design;
FIG. 2 is the front view thereof;
FIG. 3 is the rear view thereof;
FIG. 4 is the left-side view thereof;
FIG. 5 is the right-side view thereof;
FIG. 6 is the top view thereof; and,
FIG. 7 is the bottom view thereof.
The broken lines in the figures depict environmental subject matter and form no part of the claimed design

(56) **References Cited**
U.S. PATENT DOCUMENTS
4,307,588 A 12/1981 Smith et al.
4,429,817 A 2/1984 Ikeda
D359,602 S 6/1995 Swartz et al.
D360,500 S 7/1995 Millet et al.
D457,991 S 5/2002 Baldwin et al.
D491,324 S 6/2004 Kim et al.
D492,073 S 6/2004 Sneddon

1 Claim, 7 Drawing Sheets



(56)

References Cited

U.S. PATENT DOCUMENTS

D626,299 S	*	10/2010	Lee	D32/6
D630,807 S		1/2011	Song et al.		
D631,624 S	*	1/2011	Chung	D32/6
D632,033 S		2/2011	Song et al.		
D633,261 S		2/2011	Song et al.		
D642,752 S		8/2011	Kim		
D642,753 S		8/2011	Ha		
D648,907 S	*	11/2011	Jeon	D32/6
D649,722 S	*	11/2011	Chung	D32/6
D653,006 S		1/2012	Takahashi		
D654,640 S		2/2012	Song et al.		
D658,340 S		4/2012	Jeon et al.		
D659,307 S	*	5/2012	Geyer	D32/6
D665,544 S		8/2012	Jeon et al.		
D667,179 S		9/2012	Jeon et al.		
D679,462 S		4/2013	Zhang et al.		
D693,973 S		11/2013	Geyer et al.		
D694,965 S		12/2013	Lee et al.		
D701,656 S		3/2014	Choi et al.		
D701,657 S		3/2014	Chung et al.		
D701,658 S		3/2014	Chung et al.		
D703,885 S	*	4/2014	Ha	D32/6
D703,886 S	*	4/2014	Ha	D32/6
D712,603 S		9/2014	Geyer et al.		
D729,996 S	*	5/2015	Hwang	D32/6
D729,998 S		5/2015	Jeon et al.		
D730,596 S		5/2015	Kim et al.		
D732,763 S	*	6/2015	Hwang	D32/6
D732,767 S	*	6/2015	Ha	D32/25
D739,097 S	*	9/2015	Qin	D32/6
D742,602 S		11/2015	Kim		
D746,521 S	*	12/2015	Ha	D32/6
D747,836 S		1/2016	Cho et al.		
D752,830 S		3/2016	Choi et al.		
D759,909 S	*	6/2016	Kim	D32/6
D762,021 S	*	7/2016	Qin	D32/6
D762,025 S	*	7/2016	Joo	D32/6
D764,722 S	*	8/2016	Jo	D32/6
D769,553 S	*	10/2016	Lee	D32/6
D770,103 S	*	10/2016	Ha	D32/6
D770,698 S	*	11/2016	Lee	D32/6
D770,705 S	*	11/2016	Kang	D32/6
D770,706 S		11/2016	Ha et al.		
D770,707 S	*	11/2016	Ha	D32/6
D771,330 S	*	11/2016	Ha	D32/6
D772,499 S	*	11/2016	Yoon	D32/6
D772,500 S	*	11/2016	Park	D32/6
D772,502 S	*	11/2016	Choi	D32/6
D773,128 S	*	11/2016	Kim	D32/6
D773,753 S	*	12/2016	Kim	D32/6
D773,754 S	*	12/2016	Choi	D32/6
D773,755 S	*	12/2016	Hwang	D32/6
D773,757 S	*	12/2016	Hwang	D32/6
D774,714 S	*	12/2016	Kang	D32/6
D774,715 S	*	12/2016	Kim	D32/6
D774,716 S	*	12/2016	Kim	D32/6
D787,759 S		5/2017	Geyer et al.		
D796,752 S		9/2017	Bixby et al.		
D798,004 S		9/2017	Bixby et al.		
D800,976 S		10/2017	Im et al.		
D801,602 S		10/2017	Im et al.		

* cited by examiner

FIG. 1

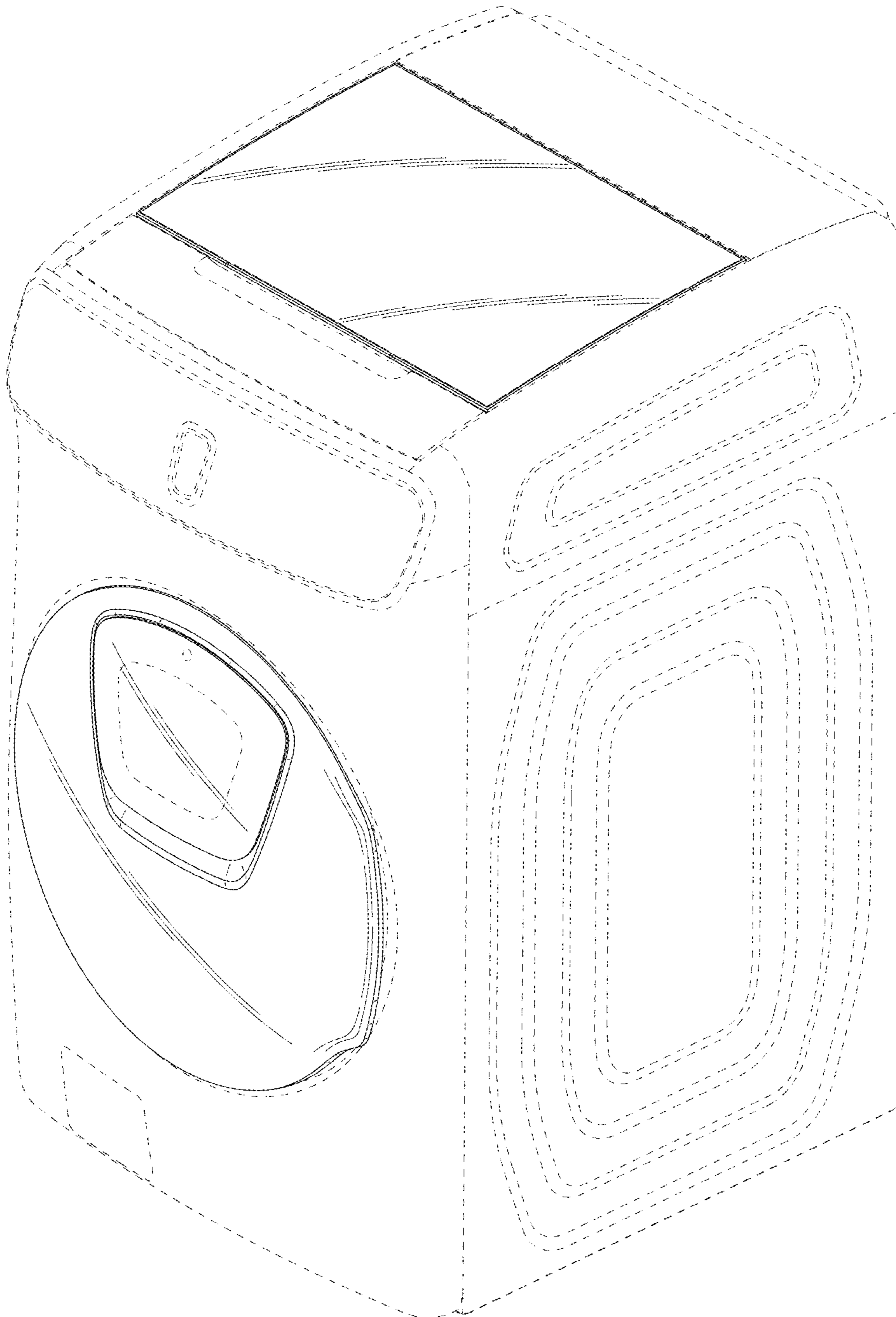


FIG. 2

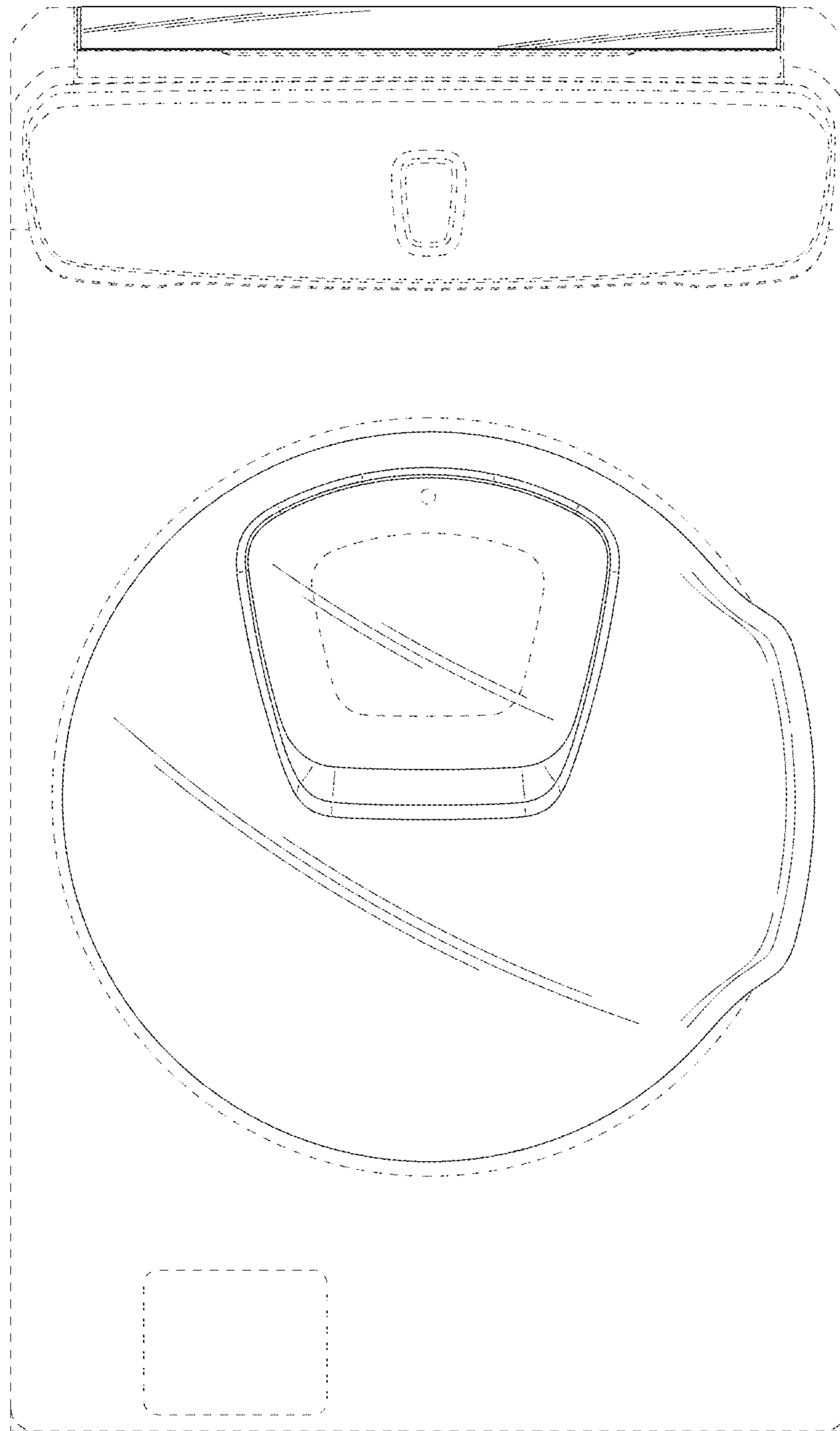


FIG. 3

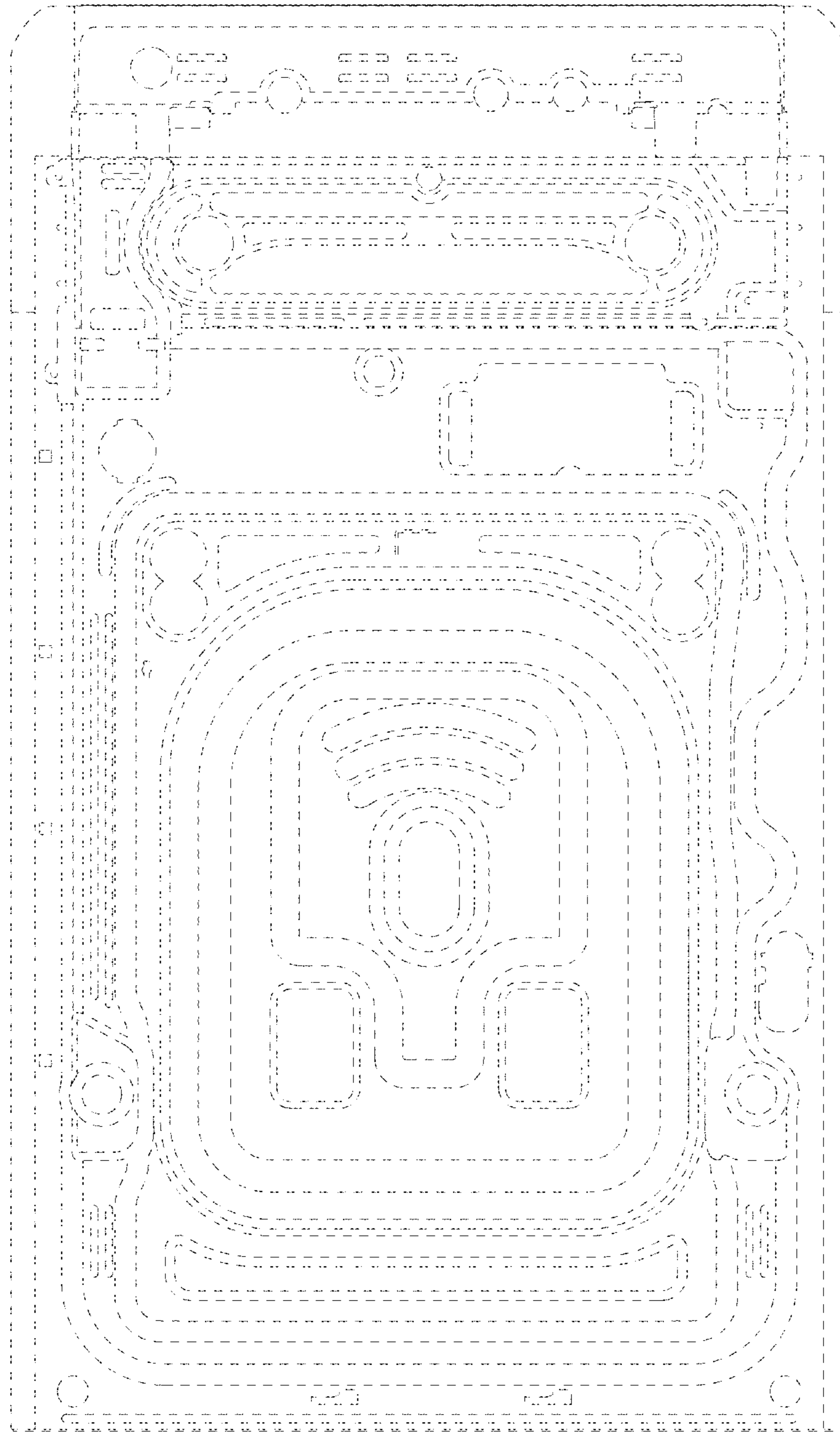


FIG. 4

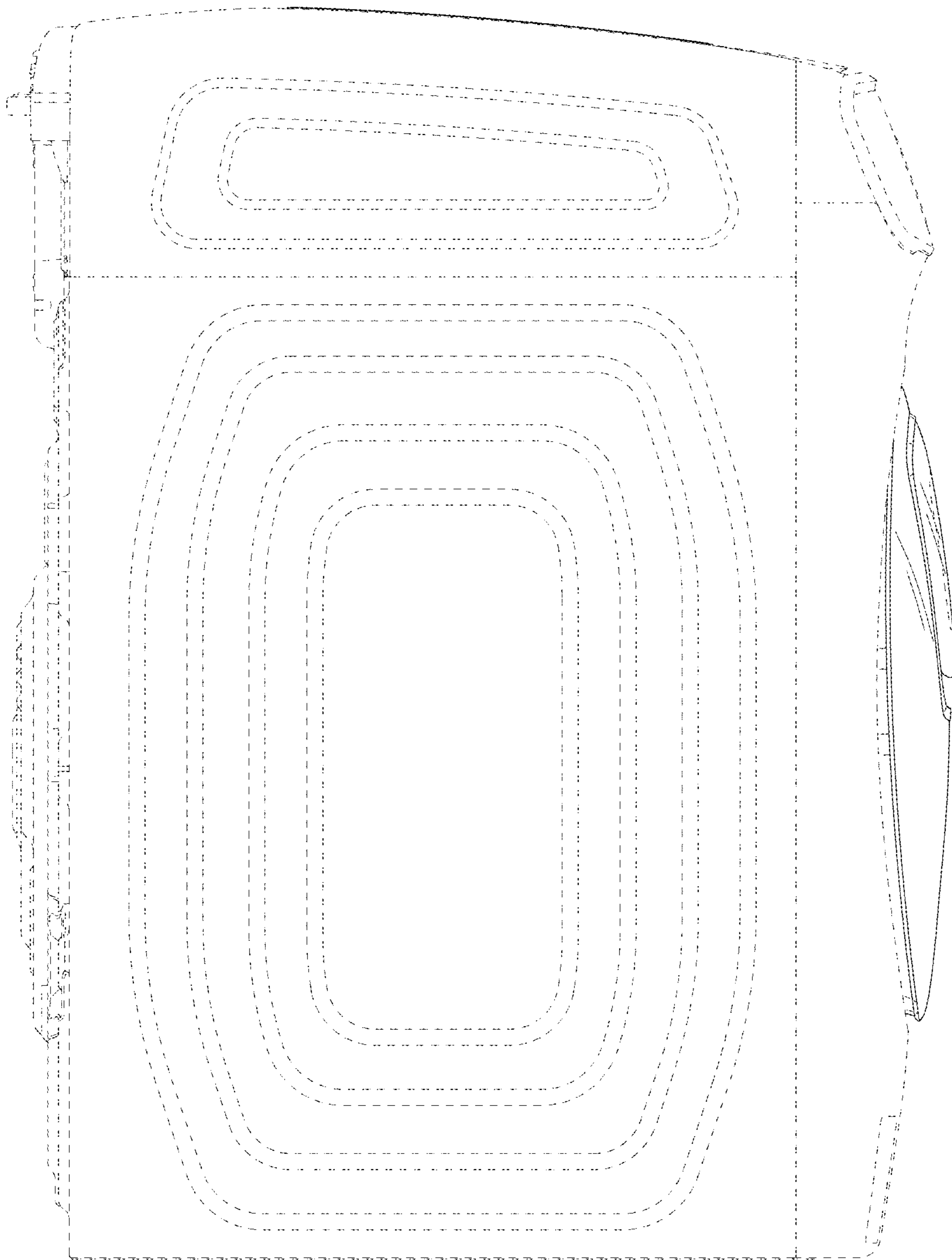


FIG. 5

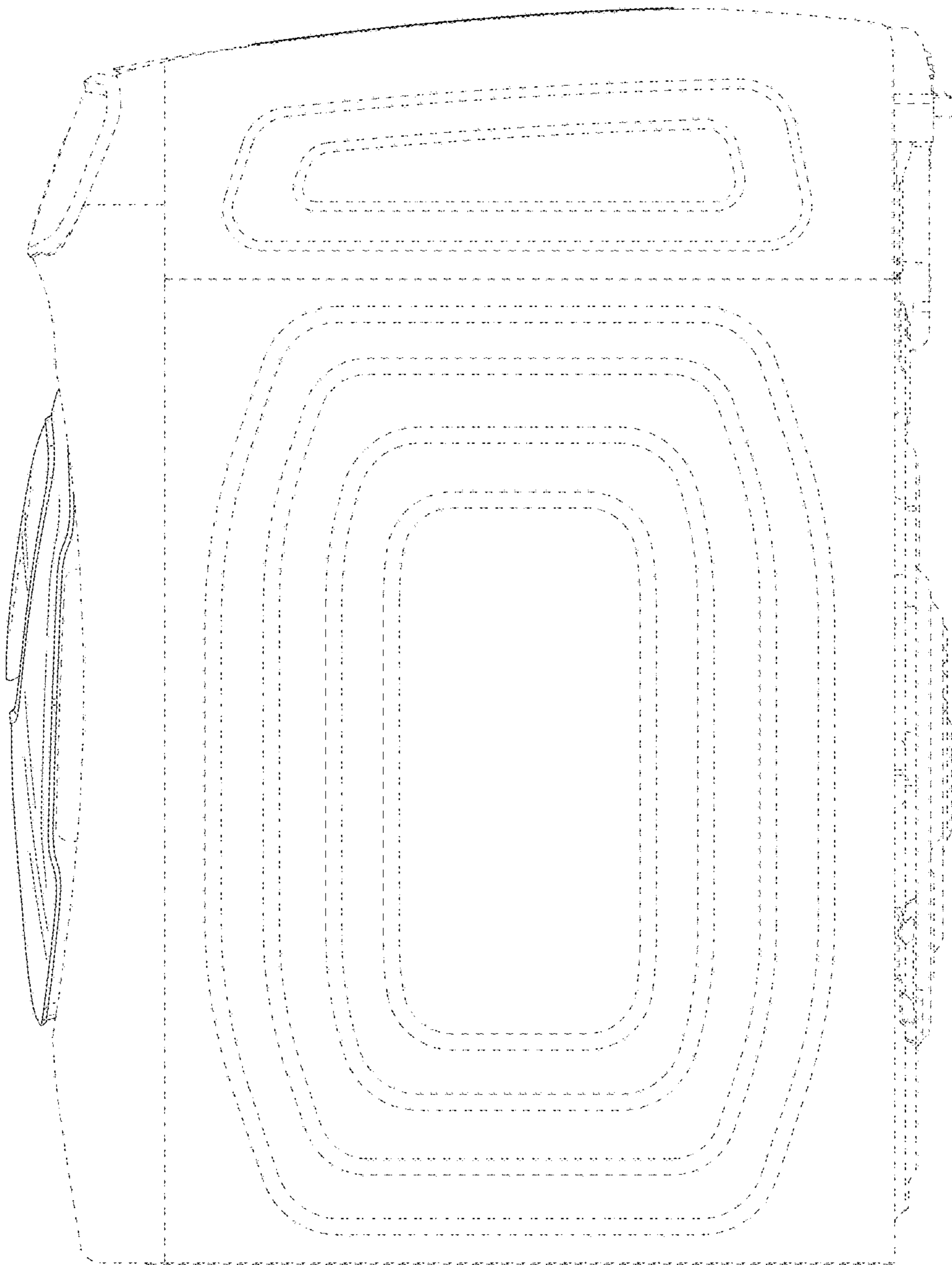


FIG. 6

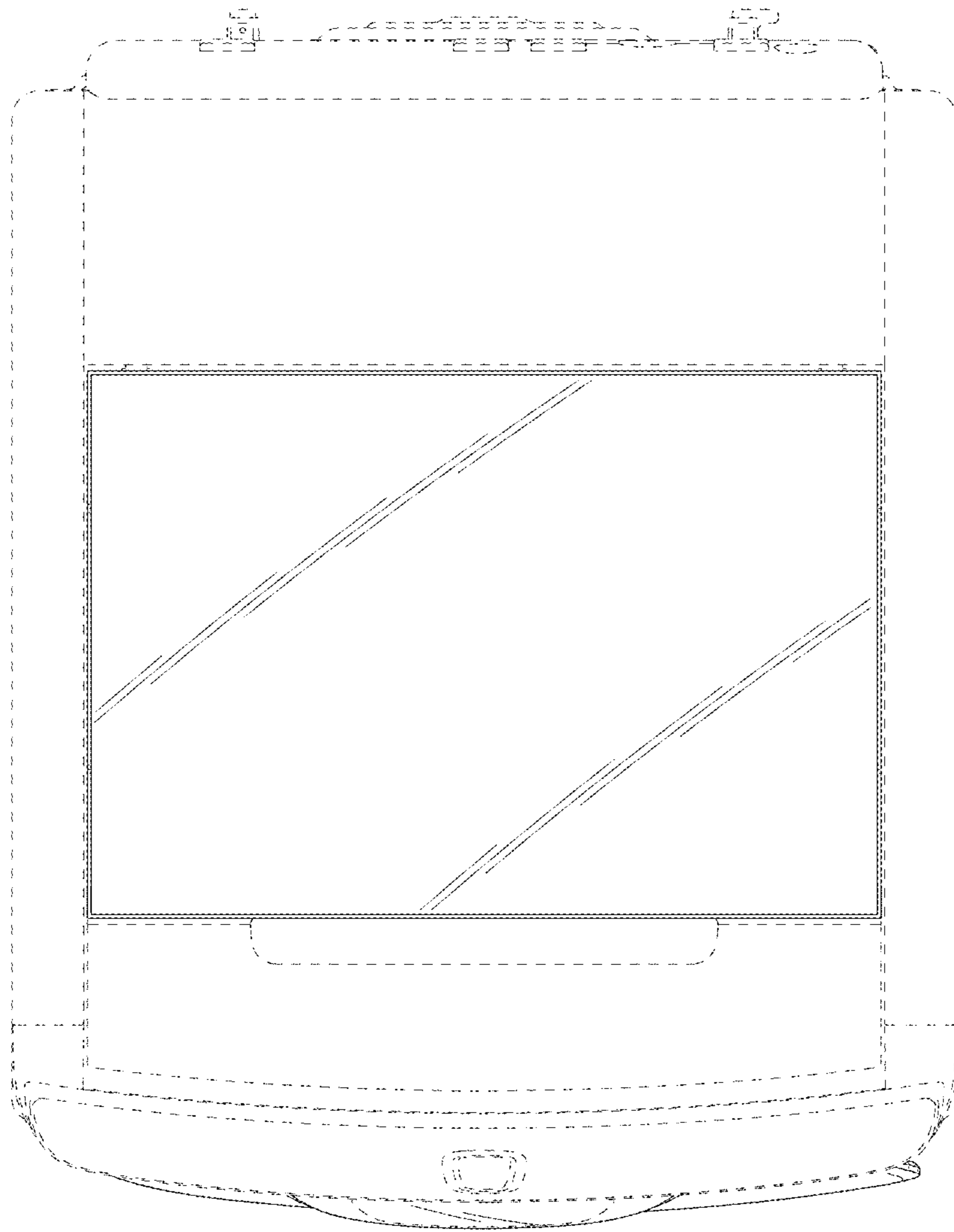


FIG. 7

