



US00D826488S

(12) **United States Design Patent** (10) **Patent No.:** **US D826,488 S**  
**Belanger et al.** (45) **Date of Patent:** **\*\* Aug. 21, 2018**

- (54) **WASH MEDIA ELEMENT TREATMENT HEAD**
- (71) Applicant: **WashMe Properties, LLC**, Northville, MI (US)
- (72) Inventors: **Michael J. Belanger**, Northville, MI (US); **Adam Kelsey**, Howell, MI (US); **Mark Morin**, Plymouth, MI (US)
- (73) Assignee: **WashMe Properties, LLC**, Northville, MI (US)
- (\*\*) Term: **15 Years**
- (21) Appl. No.: **29/599,444**
- (22) Filed: **Apr. 3, 2017**
- (51) **LOC (11) Cl.** ..... **15-05**
- (52) **U.S. Cl.**  
USPC ..... **D32/4**
- (58) **Field of Classification Search**  
USPC ..... D32/4, 25; 15/97.3, 53.1, 53.2, 53.3, 15/316.1; 134/45, 123, 56 R, 58 R; 248/637, 672  
CPC .. B60S 3/002; B60S 3/04; B60S 3/063; B60S 3/042; B60S 3/06; A63H 17/44; A46B 11/066  
See application file for complete search history.

- D419,732 S \* 1/2000 Nordstrom ..... D32/25
- D729,993 S \* 5/2015 Belanger ..... D32/4
- 2013/0104332 A1\* 5/2013 Belanger ..... A46B 13/001 15/246
- 2014/0259727 A1\* 9/2014 Belanger ..... B60S 3/002 34/355
- 2016/0180876 A1\* 6/2016 Ostwald ..... B25J 9/106 369/178.01
- 2017/0203736 A1\* 7/2017 Belanger ..... A46B 7/10
- \* cited by examiner

*Primary Examiner* — Michelle E Wilson  
(74) *Attorney, Agent, or Firm* — John S. Artz; Dickinson Wright PLLC

(57) **CLAIM**

The ornamental design for a wash media element treatment head, as shown and described.

**DESCRIPTION**

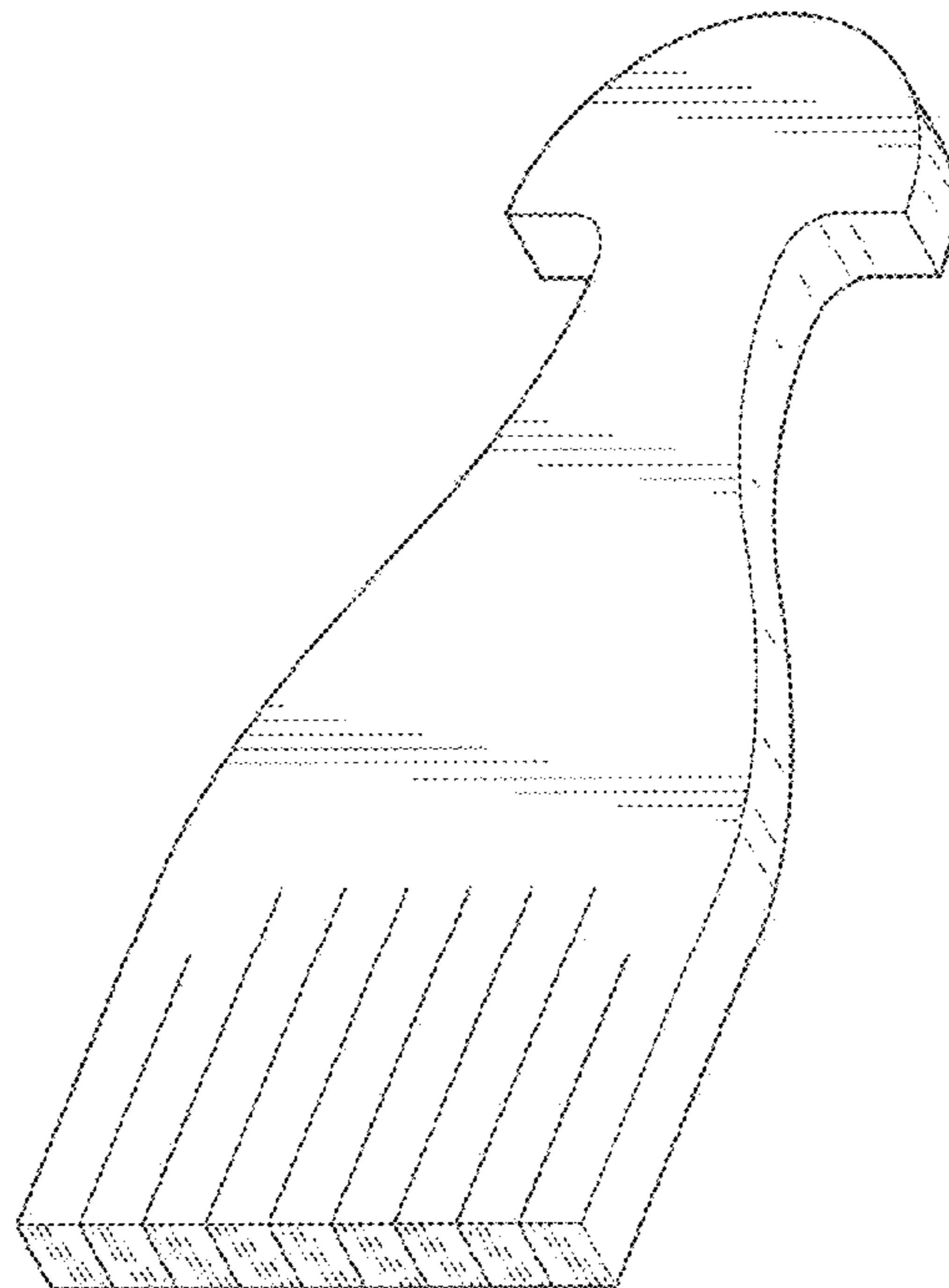
FIG. 1 is a perspective view of a wash media element treatment head in accordance with an aspect of the present disclosure;  
FIG. 2 is a front view of a wash media element treatment head in accordance with an aspect of the present disclosure;  
FIG. 3 is a side view of a wash media element treatment head in accordance with an aspect of the present disclosure;  
FIG. 4 is a bottom view of a wash media element treatment head in accordance with an aspect of the present disclosure; and,  
FIG. 5 is a top view of a wash media element treatment head in accordance with an aspect of the present disclosure.

**1 Claim, 3 Drawing Sheets**

(56) **References Cited**

U.S. PATENT DOCUMENTS

- D406,424 S \* 3/1999 Daniels ..... D32/40
- D419,272 S \* 1/2000 Nordstrom ..... D32/25



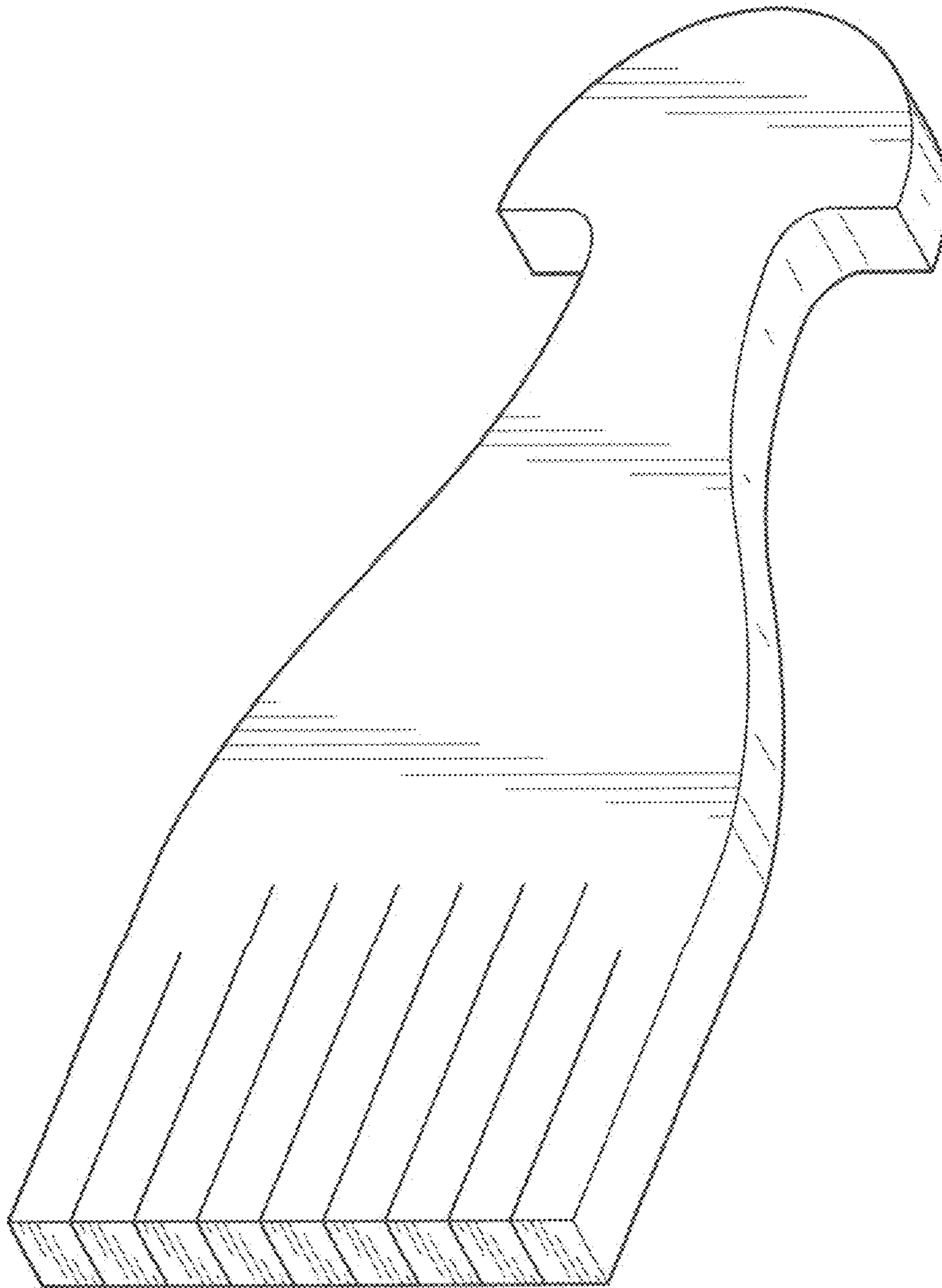


FIG. 1

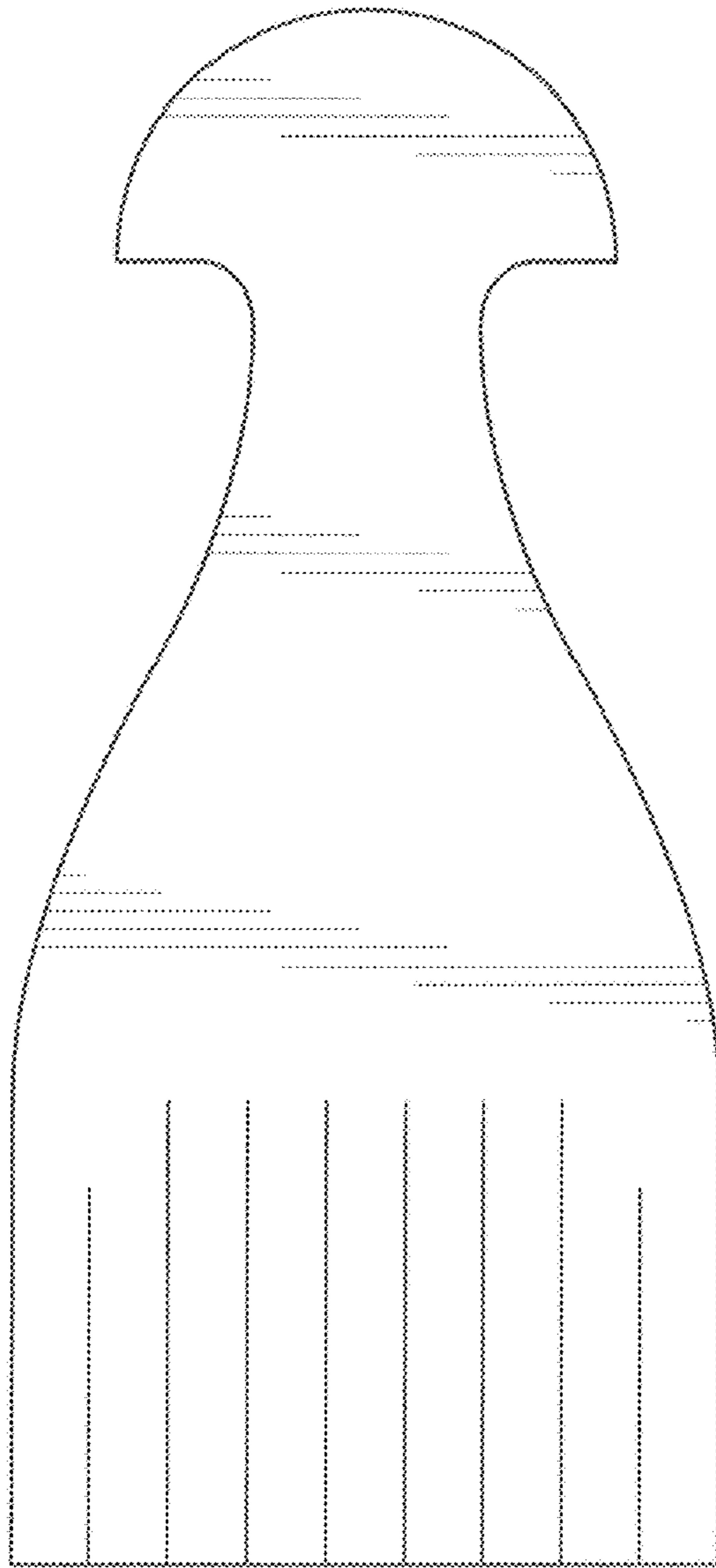


FIG. 2



FIG. 3



FIG. 4



FIG. 5