



US00D826483S

(12) **United States Design Patent** (10) **Patent No.:** **US D826,483 S**  
**Yun** (45) **Date of Patent:** **\*\* Aug. 21, 2018**

(54) **DOG RAINCOAT**

(71) Applicant: **Yeu Hoon Yun**, Los Angeles, CA (US)

(72) Inventor: **Yeu Hoon Yun**, Los Angeles, CA (US)

(\*\*) Term: **15 Years**

(21) Appl. No.: **29/563,216**

(22) Filed: **May 3, 2016**

(51) **LOC (11) Cl.** ..... **30-01**

(52) **U.S. Cl.**  
USPC ..... **D30/145**

(58) **Field of Classification Search**  
USPC ..... D30/144, 145, 146, 151, 161, 199;  
D24/124, 190; D2/718, 719, 860, 864,  
D2/896, 909, 919; D21/604, 605  
CPC ..... A01K 13/006  
See application file for complete search history.

(56) **References Cited**

**U.S. PATENT DOCUMENTS**

D142,815 S *	11/1945	Ardmore	.....	D30/145
3,248,852 A *	5/1966	Schwartz	.....	A01K 13/006
				119/850
3,742,679 A *	7/1973	Jordan	.....	A01K 13/006
				119/850
3,918,238 A *	11/1975	Iozzio	.....	A01K 13/006
				119/850
D372,563 S *	8/1996	Waugh, Jr.	.....	D30/145
D441,924 S *	5/2001	Mann	.....	D30/145
D481,835 S *	11/2003	Williams	.....	D30/145
D637,771 S *	5/2011	Gruber	.....	D30/145
D758,676 S *	6/2016	Rollins	.....	D30/145
9,374,983 B1 *	6/2016	Kuehr	.....	A01K 13/006
D777,996 S *	1/2017	Thitz	.....	D30/145
2009/0308330 A1 *	12/2009	Kajanoff	.....	A01K 27/002
				119/850
2010/0206247 A1 *	8/2010	Cheng	.....	A01K 13/006
				119/850

**OTHER PUBLICATIONS**

“Gooby Red Dog Rain Coat”. Found online Jul. 13, 2017 at amazon.in. Page dated Jun. 30, 2016. Retrieved from [http://www.amazon.in/Gooby-76000-RED-L-Functional-Adjustable-Large/dp/B01F8IHWK4/ref=sr\\_1\\_100?s=pets-supplies&ie=UTF8&qid=1499966028&sr=1-100&keywords=dog+raincoat.\\*](http://www.amazon.in/Gooby-76000-RED-L-Functional-Adjustable-Large/dp/B01F8IHWK4/ref=sr_1_100?s=pets-supplies&ie=UTF8&qid=1499966028&sr=1-100&keywords=dog+raincoat.*)

(Continued)

*Primary Examiner* — Robert M. Spear

*Assistant Examiner* — Kendra Leslie Hamilton

(74) *Attorney, Agent, or Firm* — Heedong Chae; Lucem, PC

(57) **CLAIM**

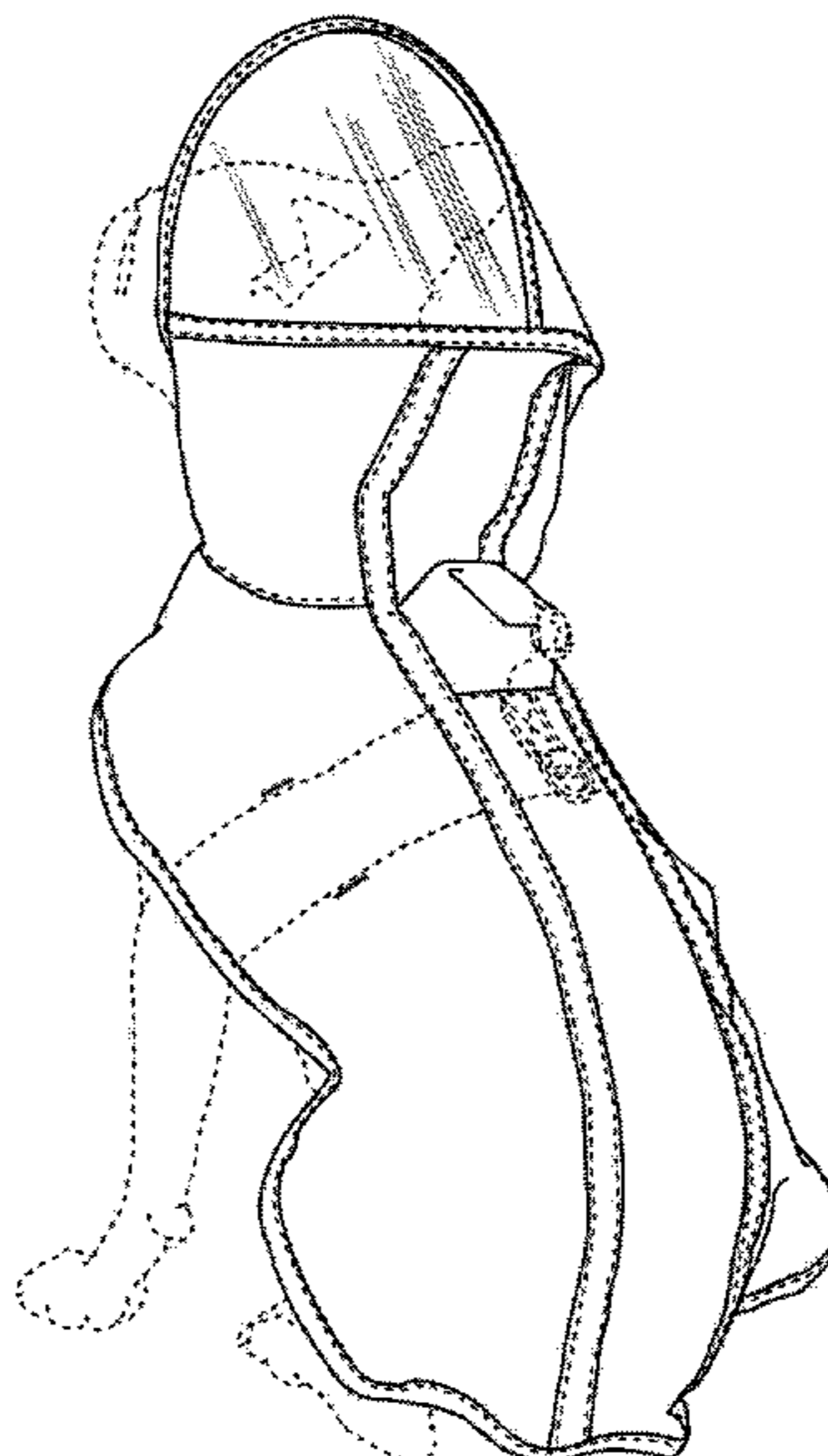
The ornamental design for a dog raincoat, as shown and described.

**DESCRIPTION**

FIG. 1 is a top rear left side perspective view of a dog raincoat, showing my new design, in condition of use; FIG. 2 is a top front left side perspective view of the dog raincoat of FIG. 1; FIG. 3 is top rear right side perspective view thereof; FIG. 4 is a front elevational view thereof, enlarged for clarity of disclosure; FIG. 5 is a rear elevational view thereof, enlarged for clarity of disclosure; FIG. 6 is a left side elevational view thereof; FIG. 7 is a right side elevational view thereof; FIG. 8 is a top plan view thereof; and, FIG. 9 is a bottom plan view thereof.

The broken line showing of a dog and raincoat hardware (cord-lock and D-ring) depicts environmental subject matter only and forms no part of the claimed design. The broken line showing on the raincoat depicts stitching and forms no part of the claimed design.

**1 Claim, 9 Drawing Sheets**



(56)

**References Cited**

OTHER PUBLICATIONS

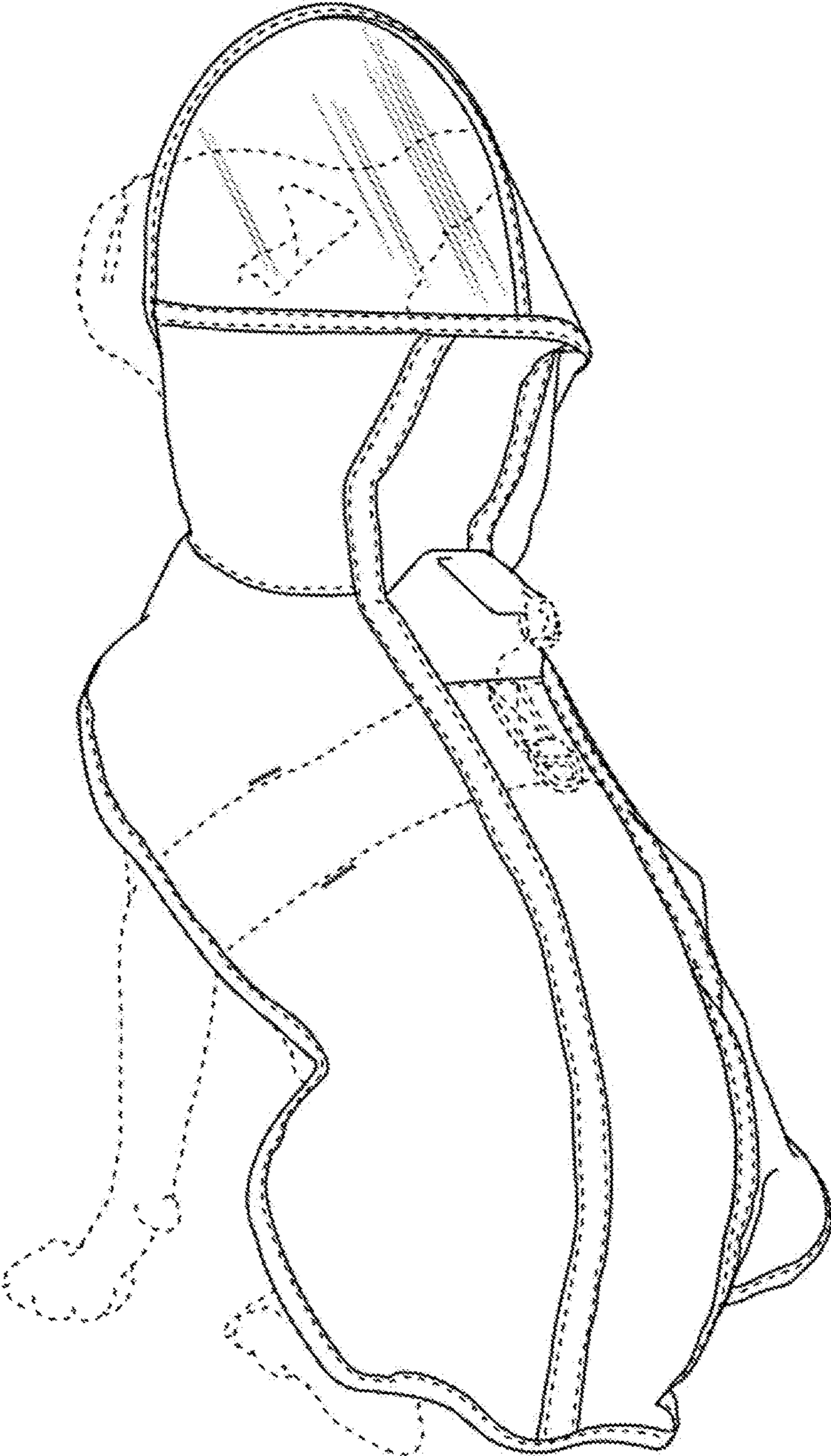
“Generic Dog Raincoat”. Found online Jul. 13, 2017 at amazon.in. Page dated Oct. 12, 2016. Retrieved from [http://www.amazon.in/Generic-Raincoat-Doggie-Outdoor-Rainwear/dp/B01M7OTMB5/ref=sr\\_1\\_177?s=pets-supplies&ie=UTF8&qid=1499966154&sr=1-177&keywords=dog+raincoat](http://www.amazon.in/Generic-Raincoat-Doggie-Outdoor-Rainwear/dp/B01M7OTMB5/ref=sr_1_177?s=pets-supplies&ie=UTF8&qid=1499966154&sr=1-177&keywords=dog+raincoat).\*

“Jelly Wellies Premium Quality Waterproof Reversible Camouflage Raincoat”. Found online Jul. 13, 2017 at amazon.in. Page dated Aug. 29, 2016. Retrieved from [http://www.amazon.in/Jelly-Wellies-Waterproof-Reversible-Camouflage/dp/B00V8IZSN2/ref=sr\\_1\\_83?s=pets-supplies&ie=UTF8&qid=1499965985&sr=1-83&keywords=dog+raincoat](http://www.amazon.in/Jelly-Wellies-Waterproof-Reversible-Camouflage/dp/B00V8IZSN2/ref=sr_1_83?s=pets-supplies&ie=UTF8&qid=1499965985&sr=1-83&keywords=dog+raincoat).\*

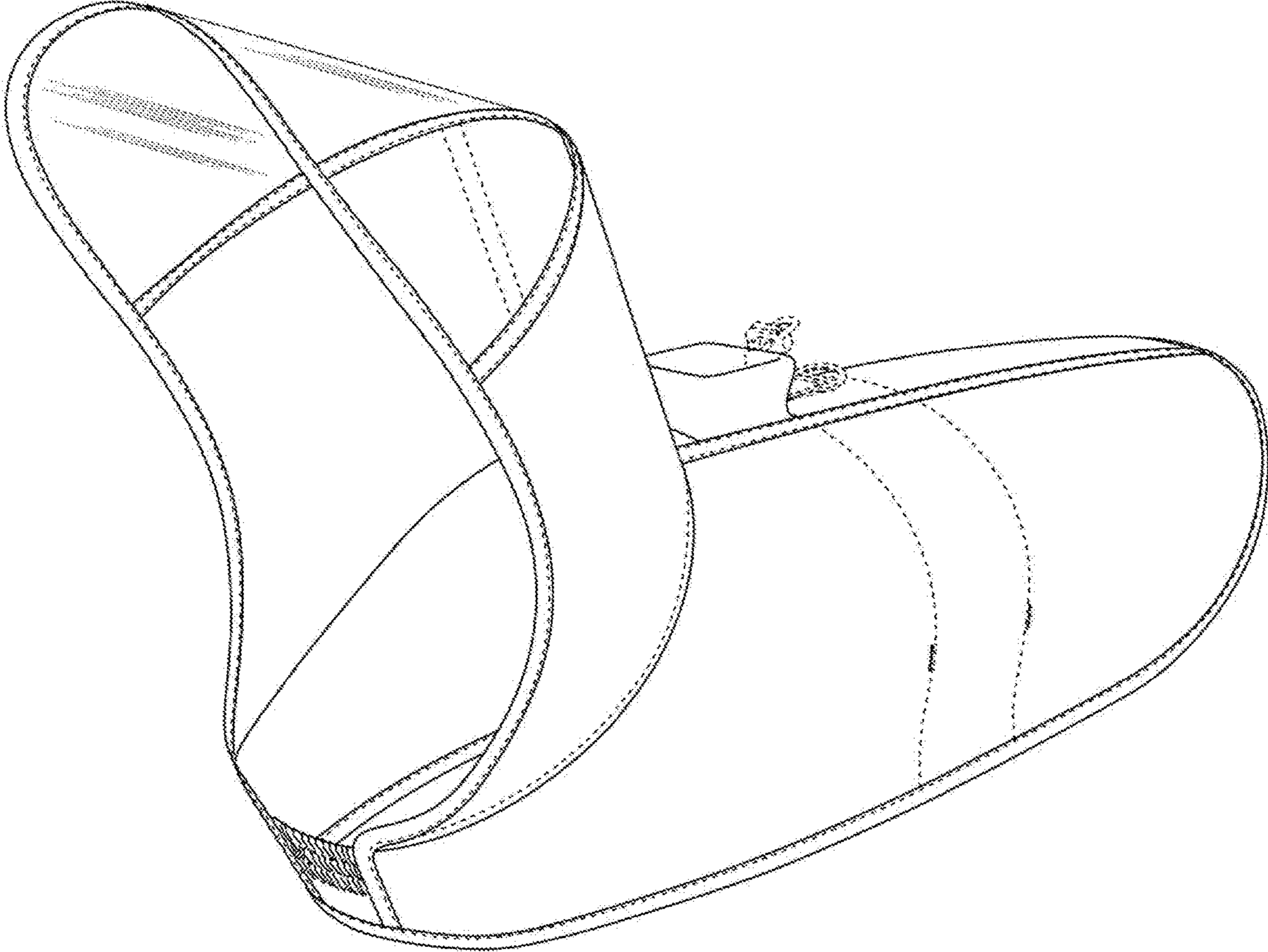
“Ethical Pet Fashion Pet Rainy Days Slicker”. Found online Jul. 13, 2017 at amazon.com. Page dated Nov. 13, 2011. Retrieved from [https://www.amazon.com/Fashion-Pet-Slicker-Yellow-Raincoat/dp/B004GF3XRM/ref=cm\\_cr\\_ar\\_p\\_d\\_product\\_top?ie=UTF8](https://www.amazon.com/Fashion-Pet-Slicker-Yellow-Raincoat/dp/B004GF3XRM/ref=cm_cr_ar_p_d_product_top?ie=UTF8).\*

\* cited by examiner

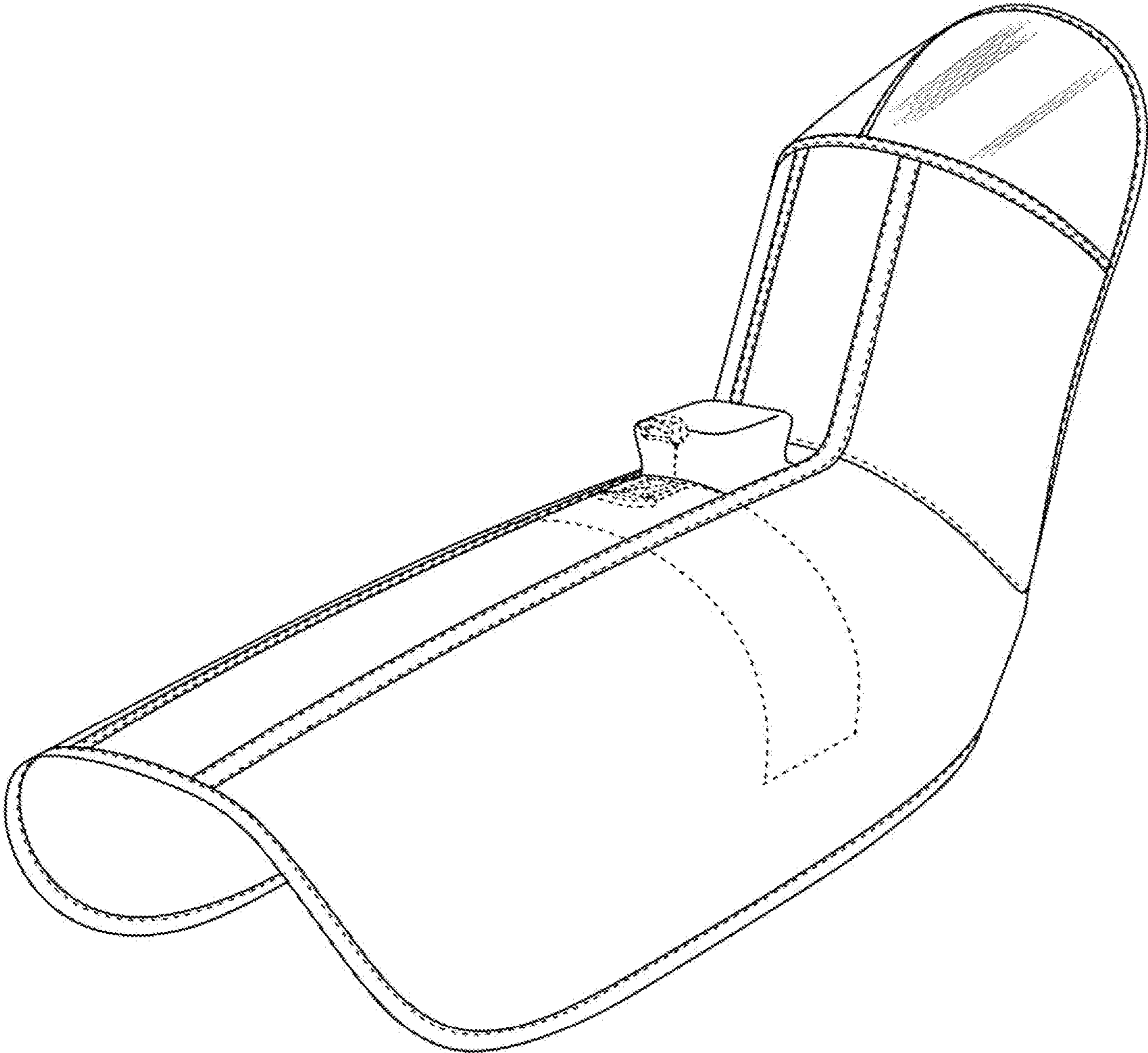
**FIG. 1**



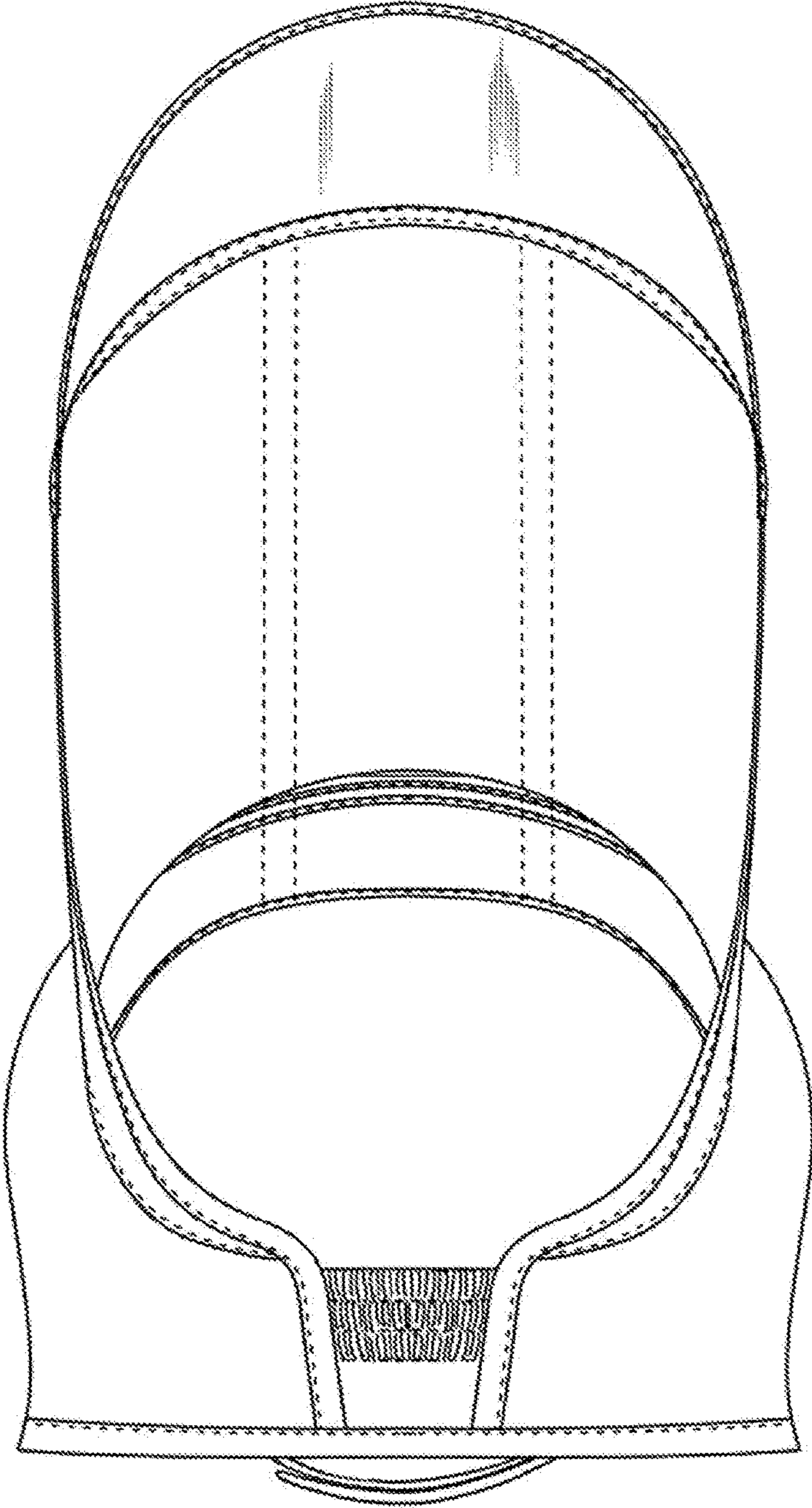
**FIG. 2**



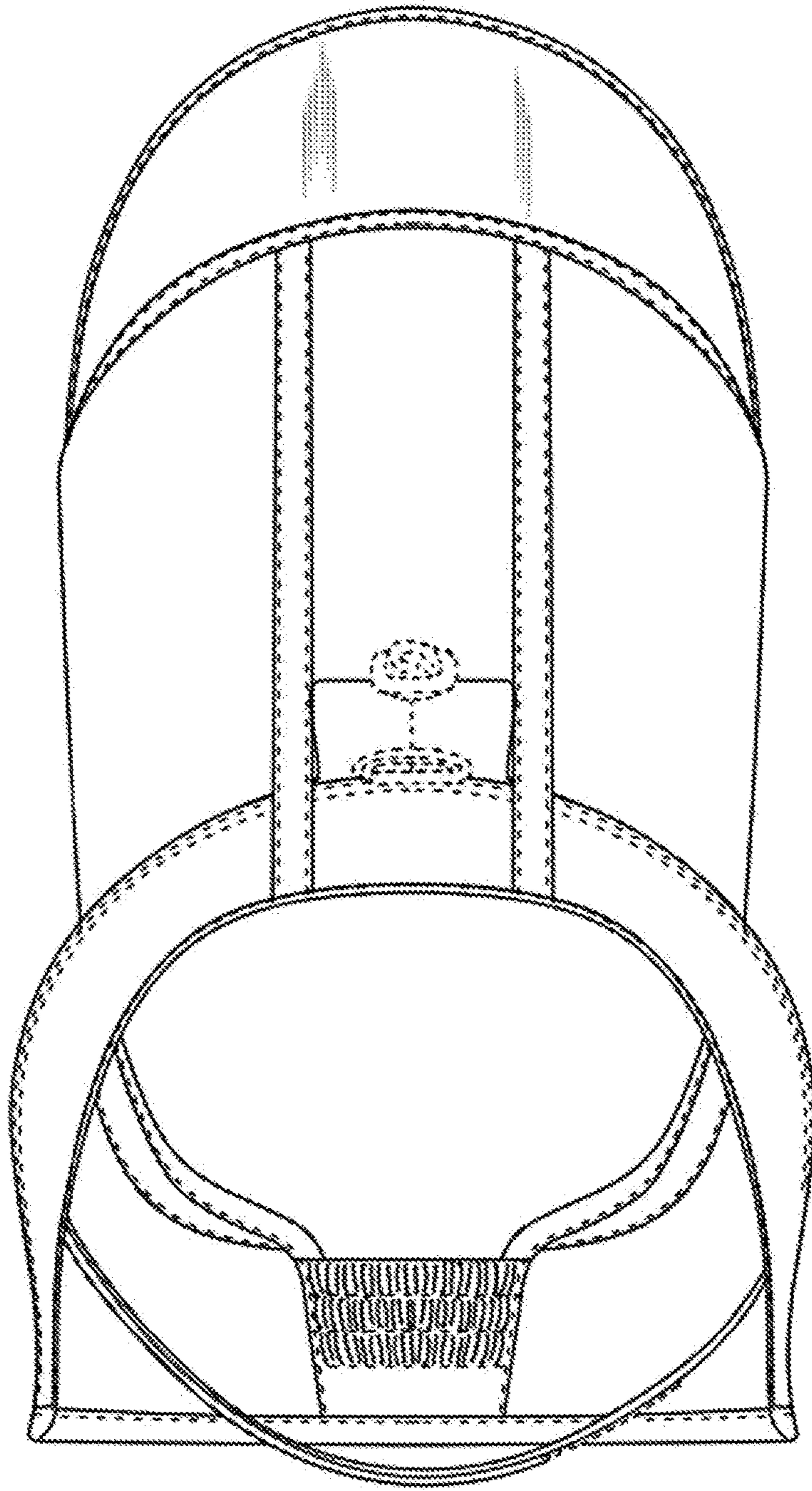
**FIG. 3**



**FIG. 4**



**FIG. 5**



**FIG. 6**

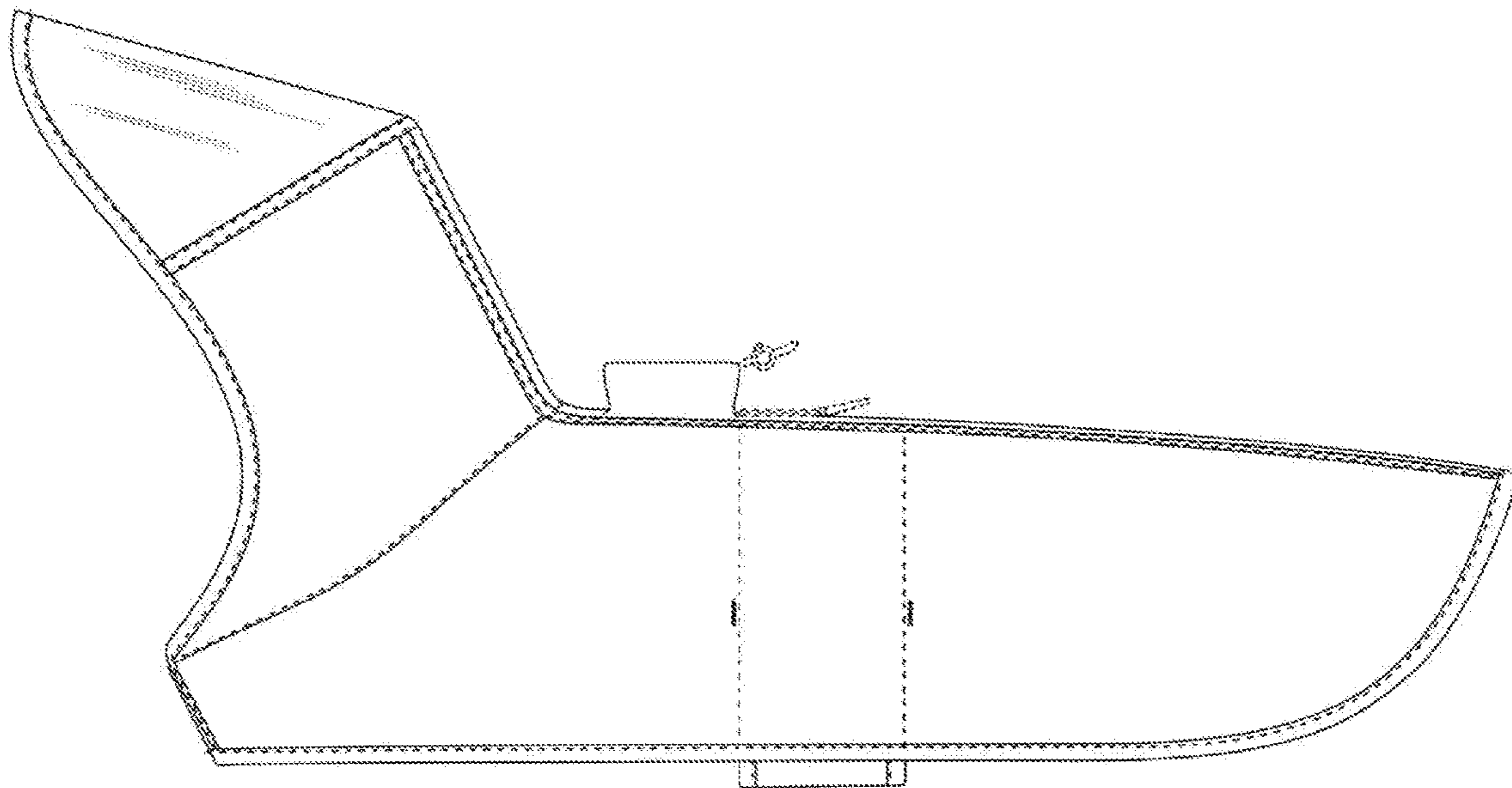
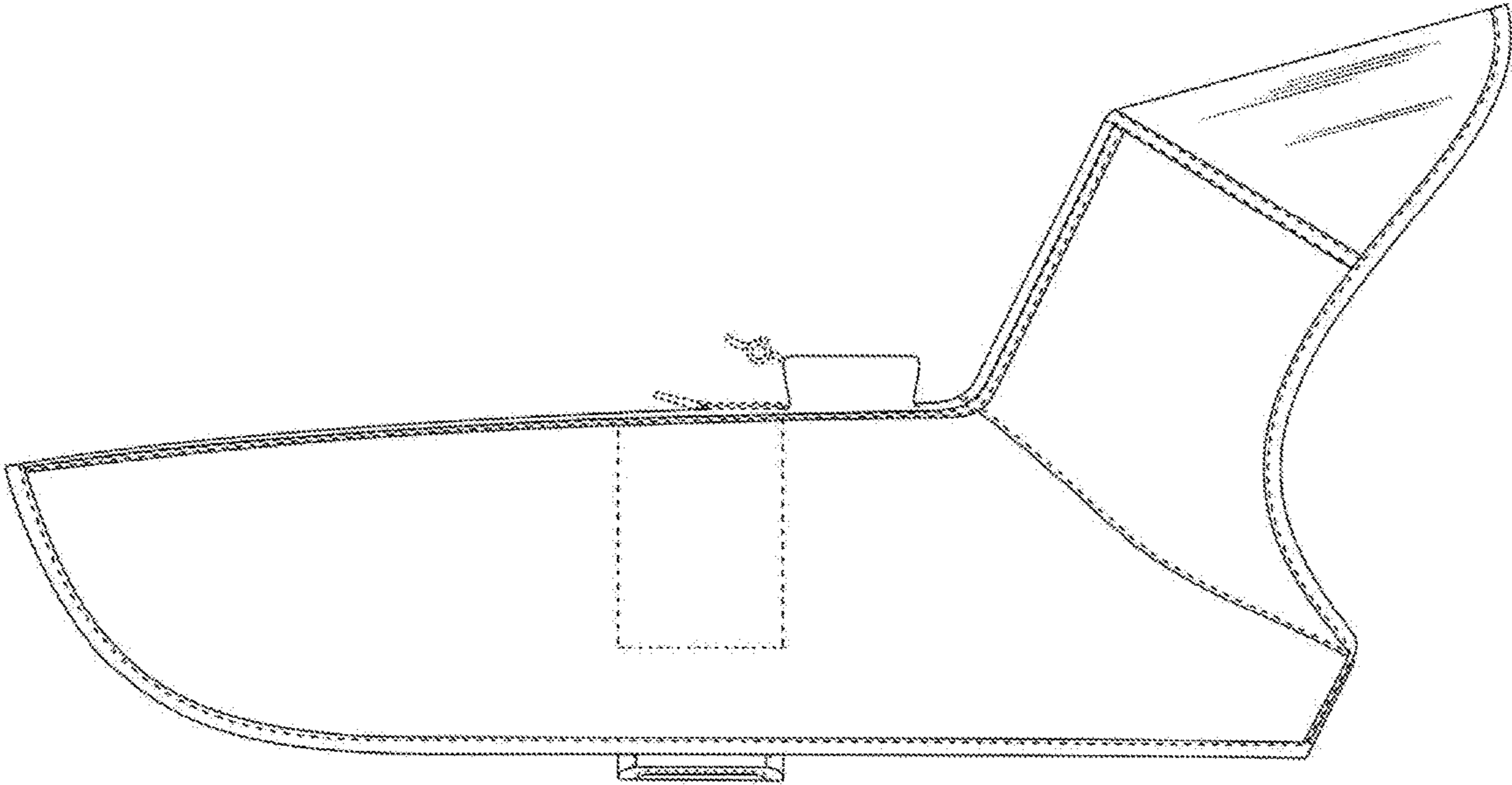
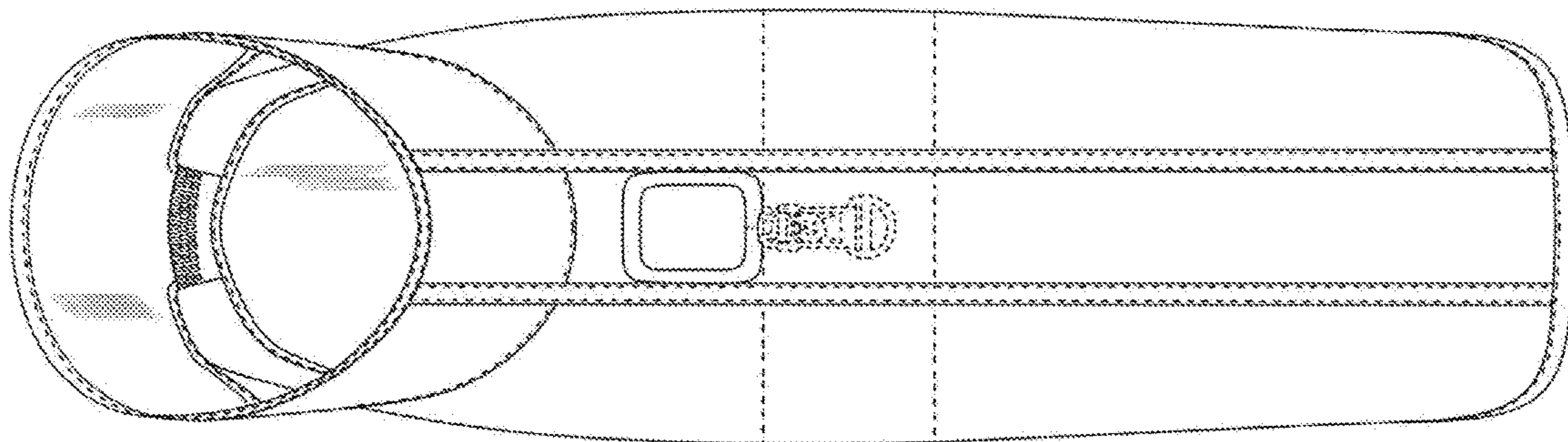




FIG. 7



**FIG. 8**



**FIG. 9**

