



US00D826482S

(12) **United States Design Patent** (10) **Patent No.:** **US D826,482 S**  
**Ellson** (45) **Date of Patent:** **\*\* Aug. 21, 2018**

(54) **PET FEEDER**

(71) Applicant: **Terry Ellson**, Centralia, WA (US)

(72) Inventor: **Terry Ellson**, Centralia, WA (US)

(\*\*) Term: **15 Years**

(21) Appl. No.: **29/610,207**

(22) Filed: **Jul. 10, 2017**

(51) **LOC (11) Cl.** ..... **30-07**

(52) **U.S. Cl.**  
USPC ..... **D30/121**

(58) **Field of Classification Search**  
USPC .... D30/121, 122, 129-133; 119/61.5, 51.01, 119/61.56, 51.03, 59, 62, 63, 51.5, 57.8, 119/74, 61.54, 61.55, 53, 53.5, 75, 56.2, 119/51.02, 51.11, 51.12, 57.1, 52.1, 515; 312/204; 248/151, 188; 108/156, 108/153.1-157; 220/23.87, 630, 737, 220/743, 9.4, 495.01, 574, 212, 255, 220/23.83; 206/515; D7/586, 543, D7/550.1, 587, 505, 584, 545, 500, D7/553.1-553.8, 546, 555, 556, 504, 565, D7/562, 602, 605, 312, 313, 320, 307, D7/306, 309, 354, 311, 399, 397, 323, D7/332, 331, 347, 346, 322, 318, 317, D7/316, 619.1; D9/429; 43/109; D22/122; 99/430, DIG. 15, 280, 285, 99/312; 222/209, 131, 363, 349, 517, 222/153.13, 401, 1, 146.5, 23, 54, 64, 51, 222/156, 399, 400.8; 219/438, 439, 441, 219/385, 386, 402, 407; 210/94, 184, 210/474, 477  
CPC ..... A01K 5/02; A01K 5/0225; A01K 5/0114; A01K 5/025; A01K 5/0266; A01K 5/0275; A01K 5/0283; A01K 5/0291; A01K 5/0258; A01K 7/00; G01F 11/24; G01F 23/02; B67D 1/0425; B67D 1/04; B67D 1/00; B67D 1/02; B67D 1/0871; B67D 1/0802; A47J 41/0033; A47J

41/005; A47J 41/0088; A47J 41/0094; A47J 31/04; A47J 31/053; B05B 11/00; B05B 11/0002; B05B 11/0005; B05B 11/001; C02F 1/003; C02F 1/283; C02F 2307/02

See application file for complete search history.

(56) **References Cited**

U.S. PATENT DOCUMENTS

867,621 A *	10/1907	Tannehill	.....	A01K 39/026
				119/77
903,309 A *	11/1908	Ottinger	.....	A01K 39/012
				119/52.1
1,404,251 A *	1/1922	Westenberger	.....	A01K 39/012
				119/52.4
D65,489 S *	8/1924	Olson	.....	119/52.1
1,533,627 A *	4/1925	Averill	.....	B43L 25/02
				119/77
1,851,278 A *	3/1932	Hearn	.....	A01K 39/026
				119/77
D112,347 S *	11/1938	Nesbitt	.....	D7/610
D142,793 S *	11/1945	Running et al.	.....	119/52.1

(Continued)

*Primary Examiner* — Susan Moon Lee

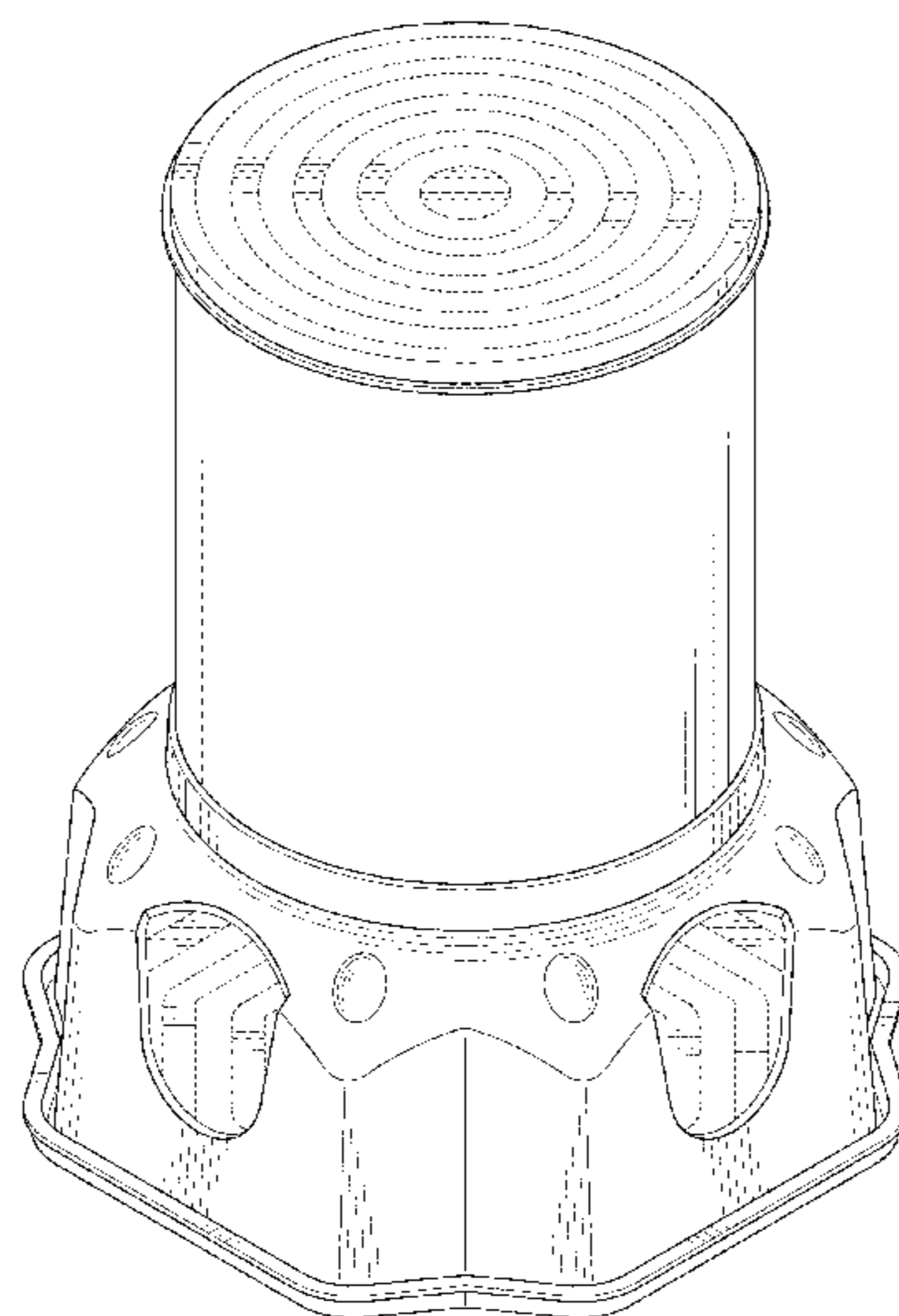
(57) **CLAIM**

I claim the ornamental design for a pet feeder, as shown and described.

**DESCRIPTION**

FIG. 1 is a top perspective view of a pet feeder according to the new design;  
The FIG. 2 view depicts the appearance of the front, rear and sides of the pet feeder;  
FIG. 3 is a top plan view of the pet feeder; and,  
FIG. 4 is a bottom view thereof.  
The broken lines depict unclaimed features of the pet feeder, shown for purposes of illustration, and form no part of the design claim.

**1 Claim, 4 Drawing Sheets**



(56)

References Cited

U.S. PATENT DOCUMENTS

2,426,696 A *	9/1947	Kwash .....	A01K 39/026	5,845,600 A *	12/1998	Mendes .....	A01K 7/02
			119/52.4				119/51.5
2,602,420 A *	7/1952	Peterson .....	A01K 5/0225	5,957,083 A *	9/1999	Cheng .....	A01K 39/0125
			119/53				119/53
D167,709 S *	9/1952	Muehfeld .....	D30/131	6,167,841 B1 *	1/2001	Ho .....	A01K 15/025
D172,301 S *	5/1954	Peterson .....	119/74				119/61.54
2,690,280 A *	9/1954	Henningsen .....	B23K 3/082	6,401,657 B1 *	6/2002	Krishnamurthy ....	A01K 5/0291
			119/77				119/51.11
2,702,528 A *	2/1955	Lehmann .....	A01K 39/026	6,789,503 B1 *	9/2004	Gao .....	A01K 5/0291
			119/77				119/51.11
D178,250 S *	7/1956	Landgraf .....	D20/7	6,834,616 B2 *	12/2004	Fort, II .....	A01K 39/012
D182,624 S *	4/1958	Rysdon et al. ....	D30/131				119/53
2,854,949 A *	10/1958	Wiggins .....	A01K 39/012	6,880,484 B1 *	4/2005	Lee .....	A01G 27/02
			119/53				119/74
D188,655 S *	8/1960	Blough .....	D30/131	6,945,195 B1 *	9/2005	Morrison .....	A01K 15/025
3,074,377 A *	1/1963	Spencer .....	A01K 5/0241				119/707
			119/52.1	6,962,130 B1 *	11/2005	Kennedy .....	A01K 61/70
3,112,733 A *	12/1963	Arnott .....	A01K 7/02				119/221
			119/77	D540,492 S *	4/2007	Gorr .....	D30/131
3,717,126 A *	2/1973	Falcone et al. ....	A01K 39/012	D589,151 S *	3/2009	Sabio .....	D24/174
			119/52.4	D622,452 S *	8/2010	Castro .....	D30/121
3,720,184 A *	3/1973	Pearce .....	A01K 5/0225	7,930,994 B2 *	4/2011	Stone .....	A01K 39/012
			119/51.5				119/52.1
3,788,279 A *	1/1974	Boehland, Jr. ....	A01K 39/012	D656,688 S *	3/2012	Viola .....	D30/121
			119/52.3	D656,689 S *	3/2012	Viola .....	D30/121
D232,847 S *	9/1974	Okubo .....	D30/121	D664,304 S *	7/2012	Whelan .....	D30/121
3,866,576 A *	2/1975	Downing .....	A01K 1/0356	8,272,350 B1 *	9/2012	England .....	A01K 5/025
			119/477				119/52.1
4,029,051 A *	6/1977	McKinney .....	A01K 5/0114	8,397,674 B2	3/2013	Lipscomb et al.	
			119/52.4	D682,484 S *	5/2013	Selman .....	D30/121
D245,714 S *	9/1977	Becker .....	D30/131	8,555,813 B2 *	10/2013	Parks .....	A01K 5/0114
4,574,738 A *	3/1986	Tominaga .....	A01K 39/012				119/51.01
			119/464	8,555,814 B2 *	10/2013	Parks .....	A01K 5/0114
4,640,229 A *	2/1987	Swartzendruber ...	A01K 5/0275				119/51.01
			119/51.11	D716,002 S *	10/2014	Greenan .....	D30/121
4,738,221 A *	4/1988	Nock .....	A01K 39/026	8,931,434 B2 *	1/2015	Tu .....	A01K 39/01
			119/464				119/51.01
4,840,143 A *	6/1989	Simon .....	A01K 5/0225	D751,774 S *	3/2016	Allen .....	D30/122
			119/52.1	9,288,965 B2 *	3/2016	Patterson .....	A01K 1/10
4,989,548 A *	2/1991	Short .....	A01K 39/01	D760,963 S *	7/2016	Delman .....	D30/121
			119/52.1	D788,384 S *	5/2017	Patrick .....	D30/127
D315,186 S *	3/1991	Peterson .....	D21/803	2004/0177815 A1 *	9/2004	Sage, Jr. ....	A01K 5/0114
5,009,193 A *	4/1991	Gordon .....	A01K 15/025				119/61.3
			119/707	2006/0231037 A1 *	10/2006	Gross .....	A01K 5/0225
D320,291 S *	9/1991	Dalton, Jr. ....	D30/121				119/52.1
D321,769 S *	11/1991	Schafer .....	D30/131	2006/0231039 A1 *	10/2006	Abinanti .....	A01K 5/0114
5,062,388 A *	11/1991	Kilham .....	A01K 39/012				119/61.56
			119/52.2	2007/0012253 A1 *	1/2007	Zheng .....	A01K 5/02
D343,030 S *	1/1994	Harwick, Jr. ....	D30/128				119/51.02
D351,689 S *	10/1994	VanSkiver .....	D30/121	2007/0163505 A1 *	7/2007	Lynch .....	A01K 5/0225
5,394,832 A *	3/1995	Briley .....	A01K 5/01				119/52.1
			119/51.11	2009/0255475 A1 *	10/2009	Black .....	A01K 39/012
5,699,753 A *	12/1997	Aldridge, III ....	A01K 5/0225				119/53
			119/52.1	2010/0077963 A1 *	4/2010	Lipscomb .....	A01K 5/0114
5,711,248 A *	1/1998	Boyd .....	A01K 7/00				119/54
			119/77	2011/0197819 A1 *	8/2011	Montgomery .....	A01K 5/0225
							119/51.11
				2012/0325157 A1 *	12/2012	Lipscomb .....	A01K 5/0114
							119/52.1

\* cited by examiner

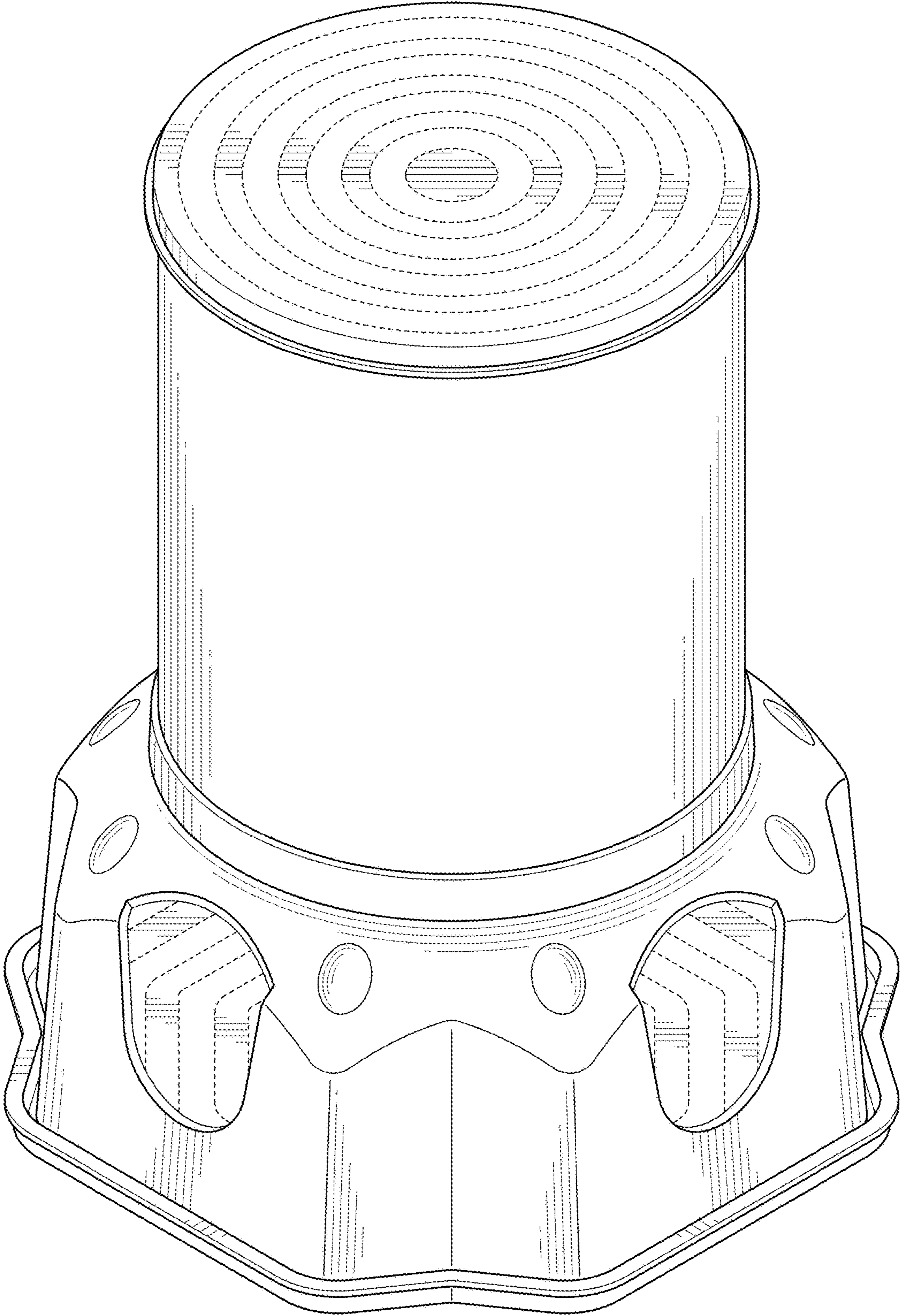


FIG. 1

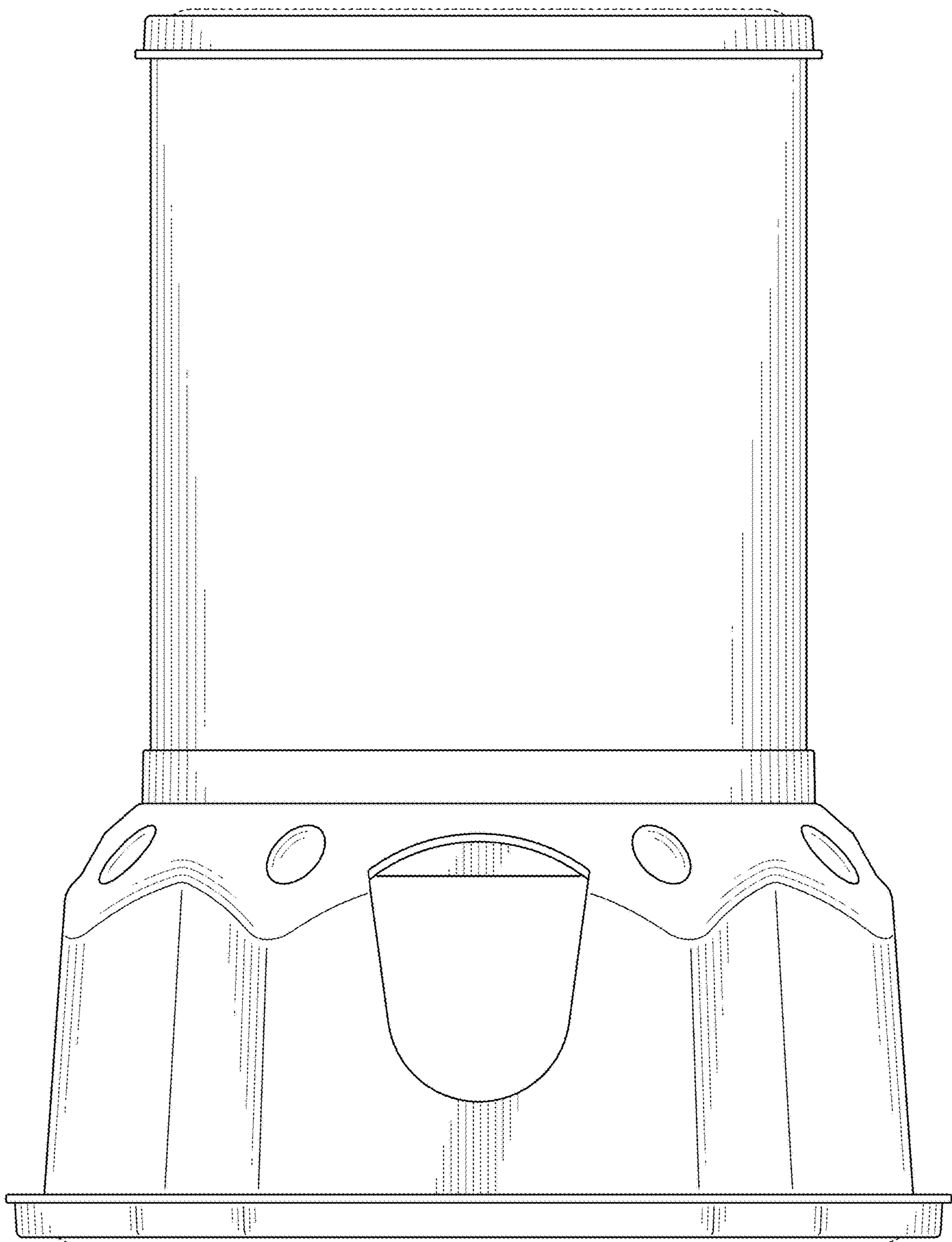


FIG. 2

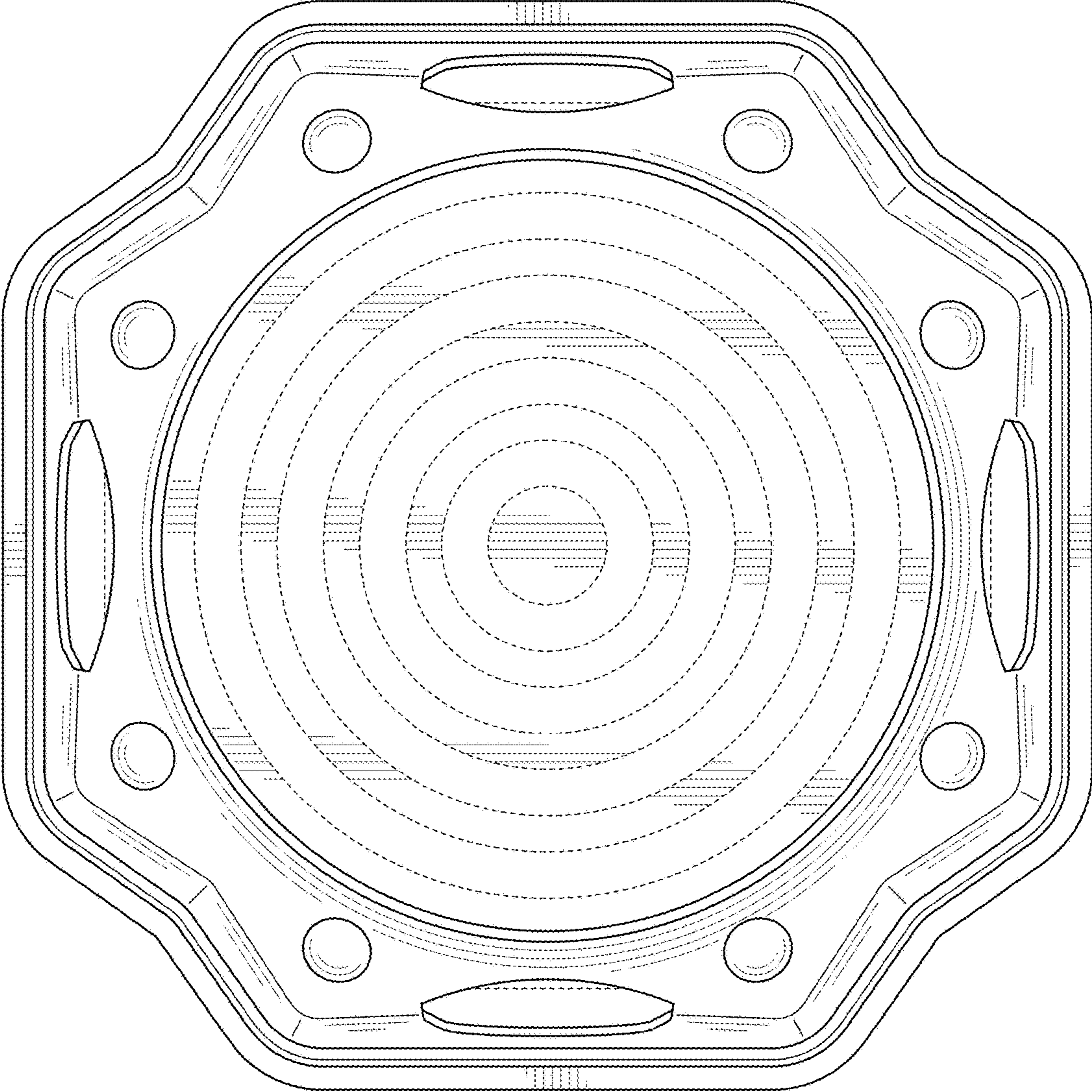


FIG. 3

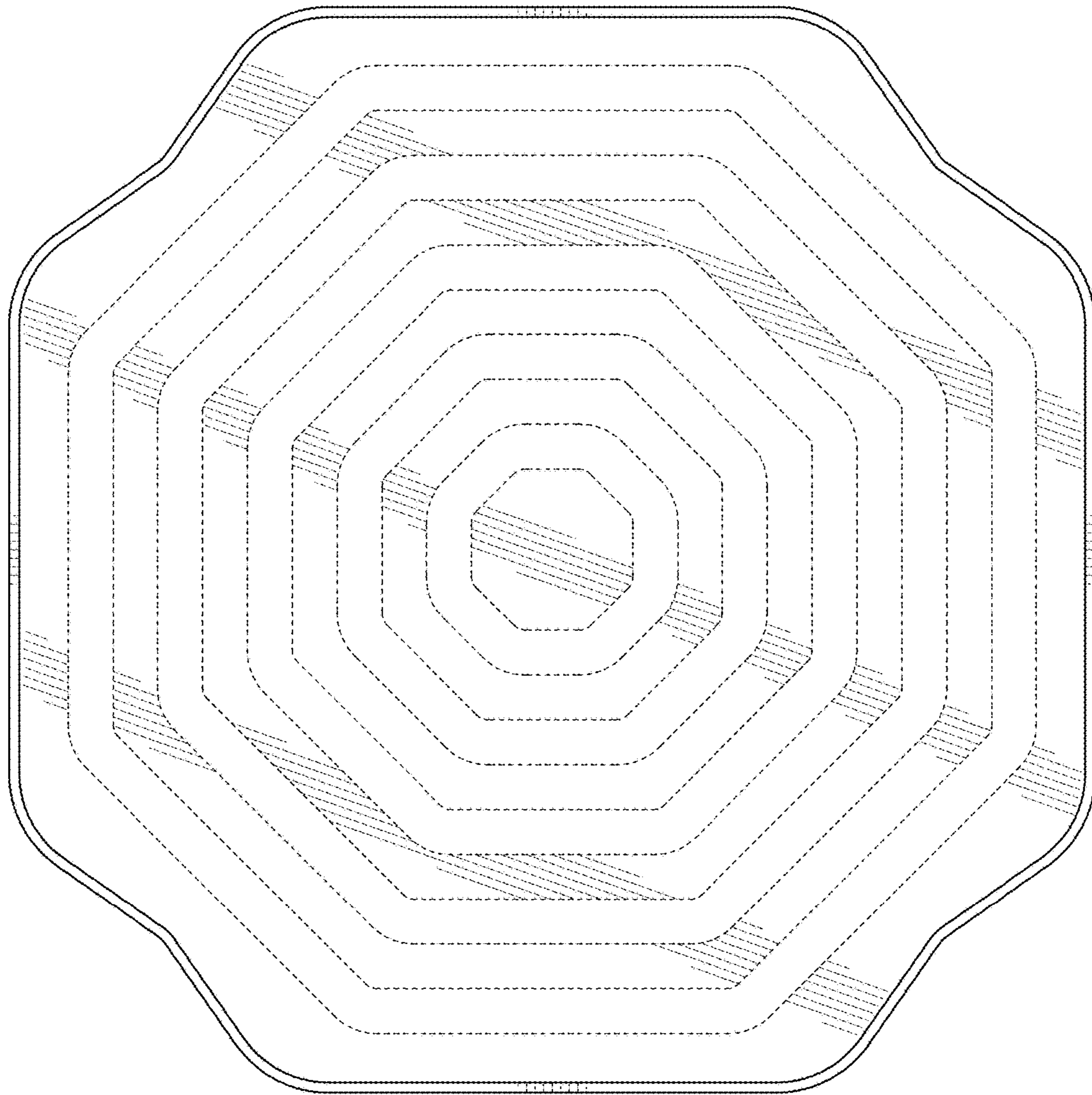


FIG. 4