



US00D826481S

(12) **United States Design Patent** (10) **Patent No.:** **US D826,481 S**
Waite (45) **Date of Patent:** **** Aug. 21, 2018**

- (54) **BEE FEEDER**
- (71) Applicant: **HARVEST LANE HONEY LLC**,
Grantsville, UT (US)
- (72) Inventor: **Jason Waite**, Grantsville, UT (US)
- (73) Assignee: **HARVEST LANE HONEY LLC**,
Grantsville, UT (US)
- (**) Term: **15 Years**
- (21) Appl. No.: **29/590,136**
- (22) Filed: **Jan. 6, 2017**
- (51) **LOC (11) Cl.** **30-03**
- (52) **U.S. Cl.**
USPC **D30/121**
- (58) **Field of Classification Search**
USPC D30/121, 199; 449/9, 10, 48, 50, 61
CPC A01K 53/00; A01K 47/00; A01K 47/02;
A01K 47/06; A01K 49/00
See application file for complete search history.

- 3,343,186 A * 9/1967 Dunand A01K 47/00
449/30
- 3,842,457 A * 10/1974 Johnson A01K 53/00
206/499
- 9,894,887 B2 * 2/2018 Collins A01K 53/00
- 2014/0004770 A1 * 1/2014 Nenninger A01K 47/06
449/19
- 2018/0014514 A1 * 1/2018 Freneaux A01K 47/06
- * cited by examiner

Primary Examiner — Susan Moon Lee
(74) *Attorney, Agent, or Firm* — Workman Nydegger

(57) **CLAIM**

The ornamental design for a bee feeder, as shown and described.

DESCRIPTION

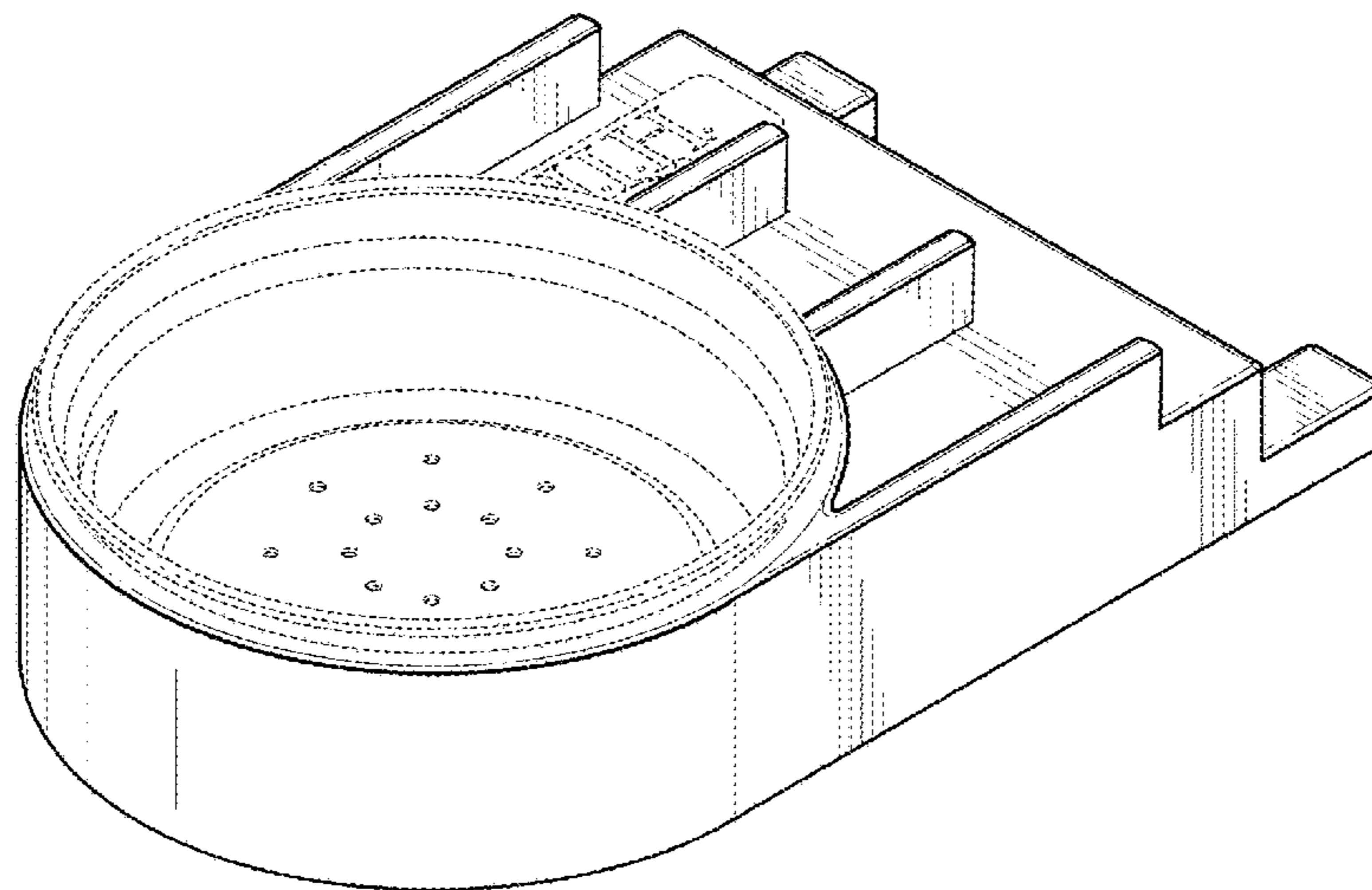
FIG. 1 is a top perspective view of a bee feeder showing the new design;
 FIG. 2 is a bottom perspective view of the bee feeder of FIG. 1;
 FIG. 3 is a left side elevational view thereof;
 FIG. 4 is a right side elevational view thereof;
 FIG. 5 is a front elevational view thereof;
 FIG. 6 is a top plan view thereof; and
 FIG. 7 is a bottom plan view thereof.
 FIG. 8 is a rear elevational view thereof;
 FIG. 9 is a top perspective view of the bee feeder of FIG. 1 in combination with a cap that fits therein; and,
 FIG. 10 is a top perspective view of the bee feeder of FIG. 9 with the cap disposed in the bee feeder.
 Broken lines and unshaded portions contained within broken lines depict either features of the bee feeder that form no part of the present design claim or exemplary elements that might be used in conjunction with the bee feeder that are shown for illustrative purposes only and that form no part of the claimed design.

1 Claim, 6 Drawing Sheets

(56) **References Cited**

U.S. PATENT DOCUMENTS

- 51,315 A * 12/1865 Herman A01K 53/00
449/10
- 149,578 A * 4/1874 Cuplin A01K 53/00
449/9
- 1,056,266 A * 3/1913 Danzenbaker A01K 53/00
119/77
- 1,108,277 A * 8/1914 Thale A01K 53/00
449/10
- 1,414,284 A * 4/1922 Jones A01K 53/00
449/23
- 1,426,701 A * 8/1922 Achenbach A01K 53/00
119/77
- 1,885,030 A * 10/1932 Lhommedieu A01K 53/00
449/49
- 2,611,140 A * 9/1952 Goble A01K 53/00
119/77



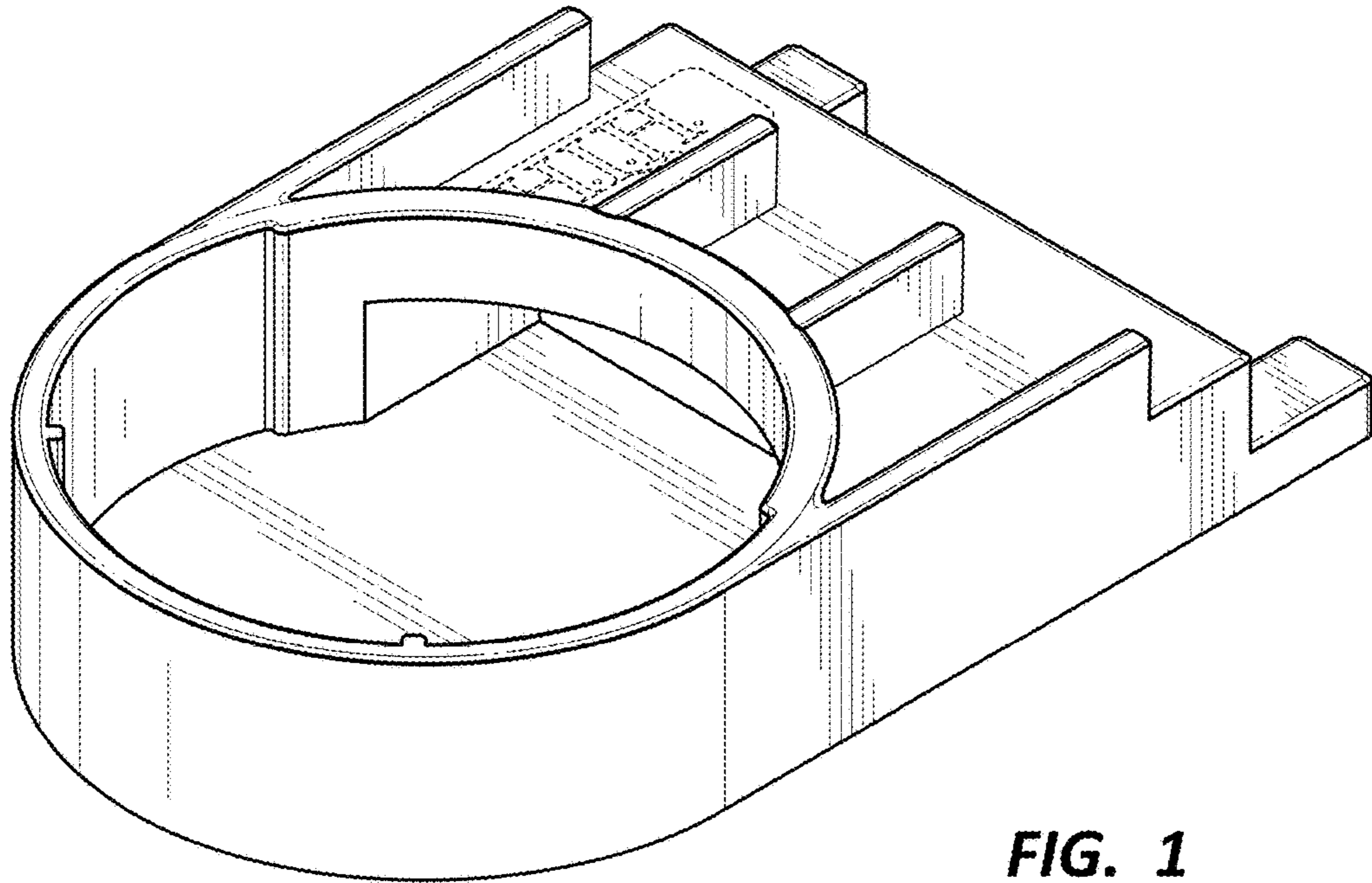


FIG. 1

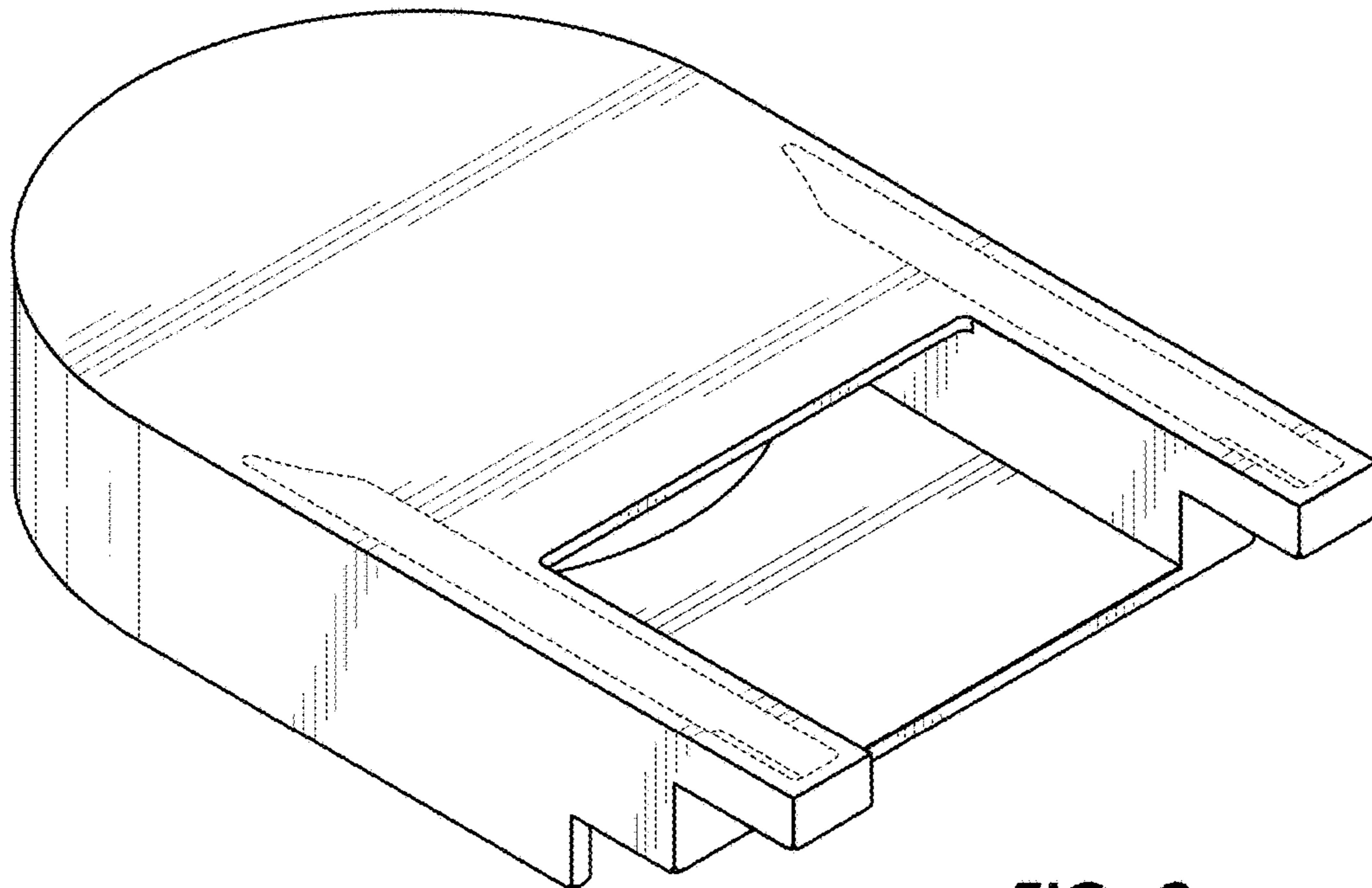


FIG. 2

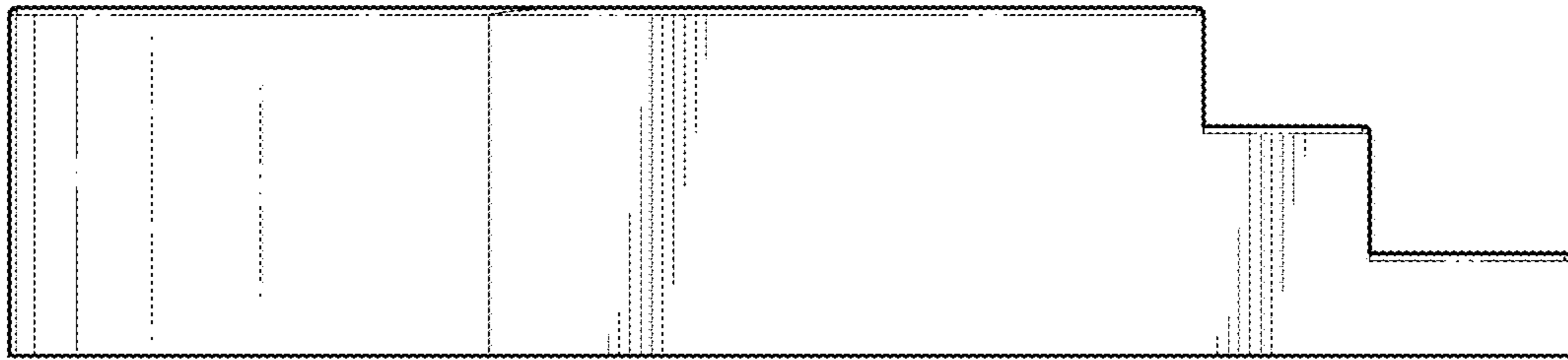


FIG. 3

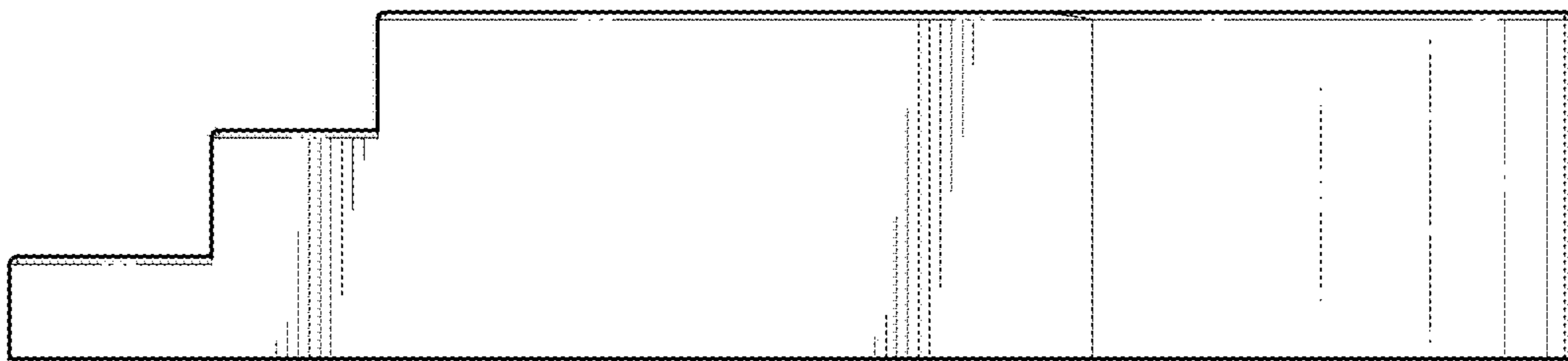


FIG. 4

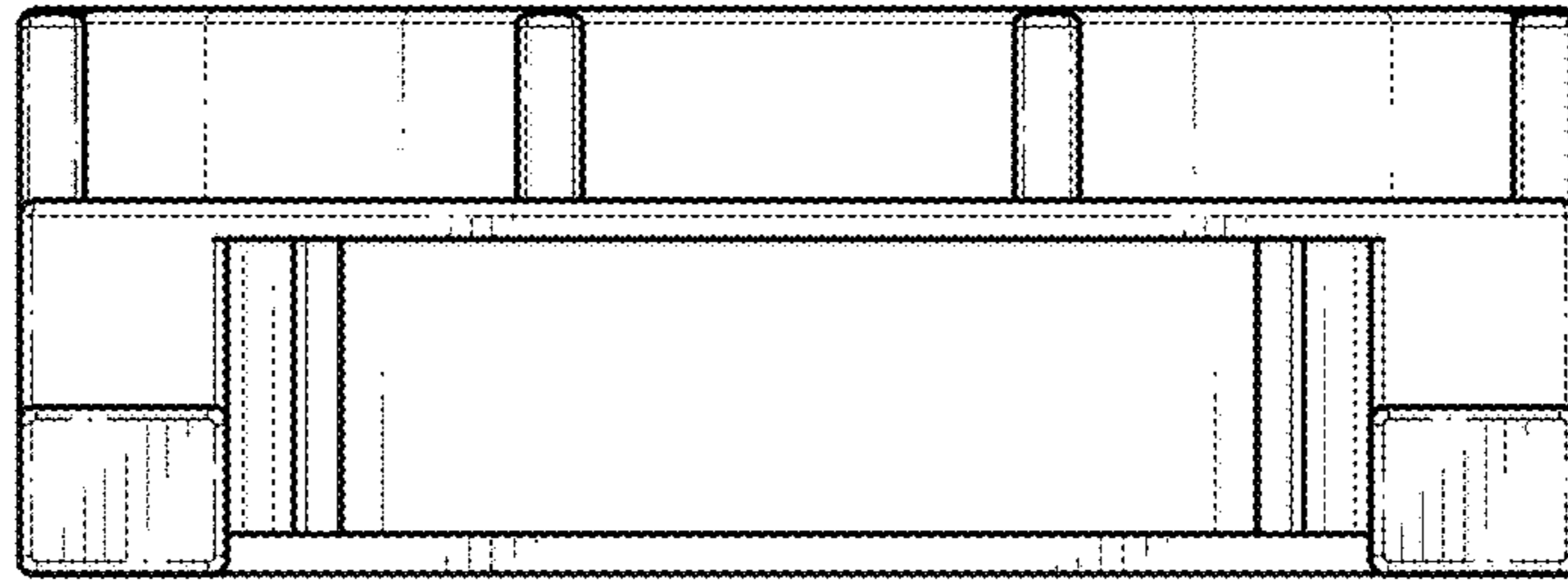


FIG. 5

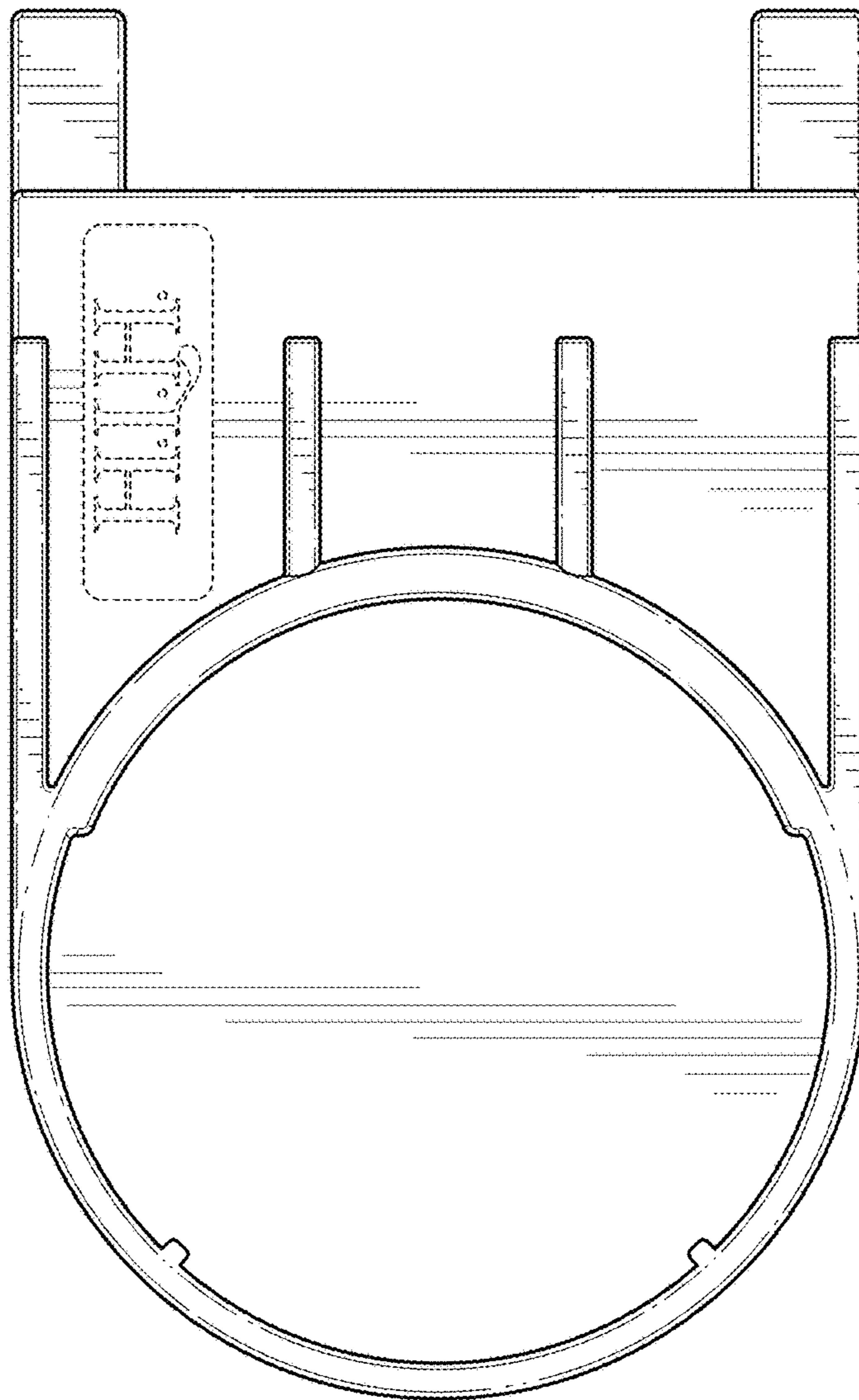


FIG. 6

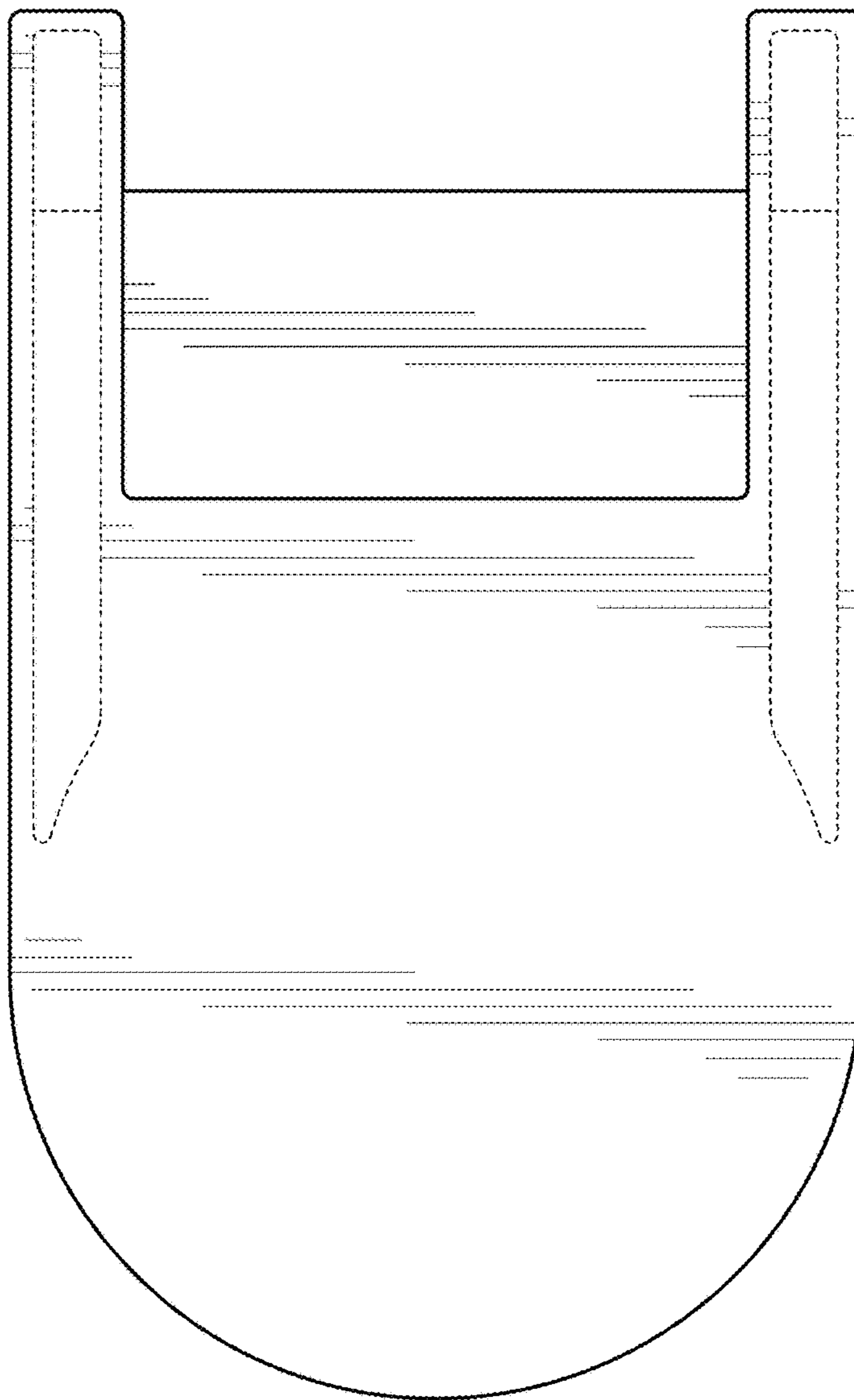


FIG. 7

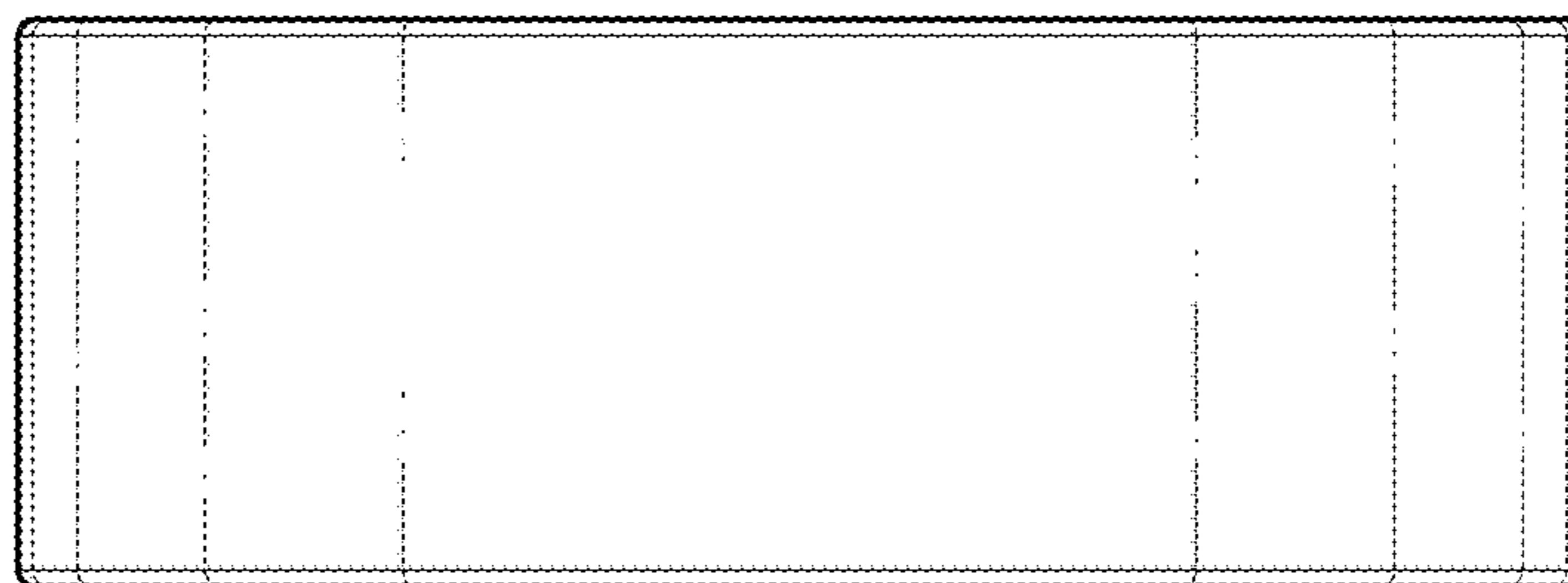


FIG. 8

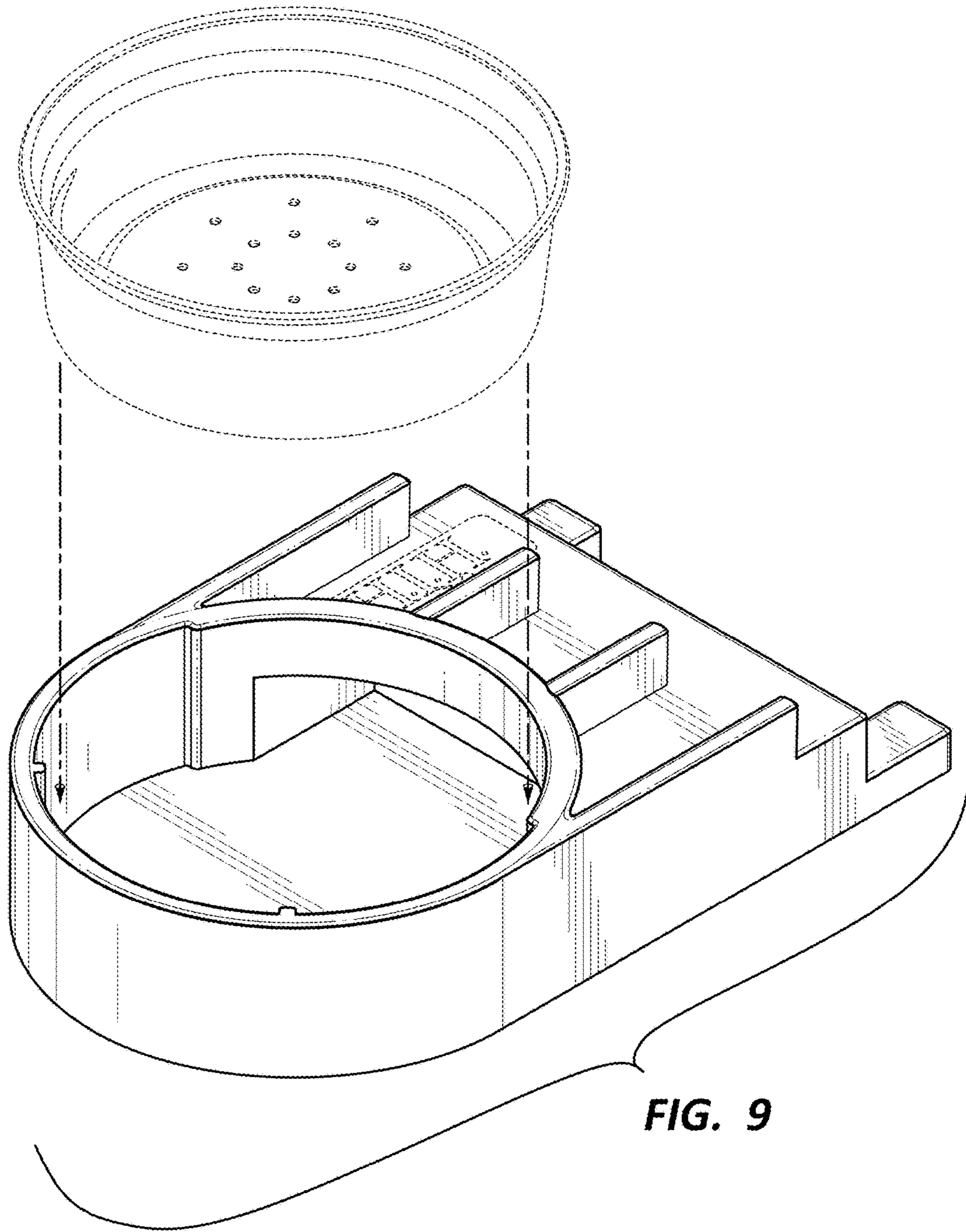


FIG. 9

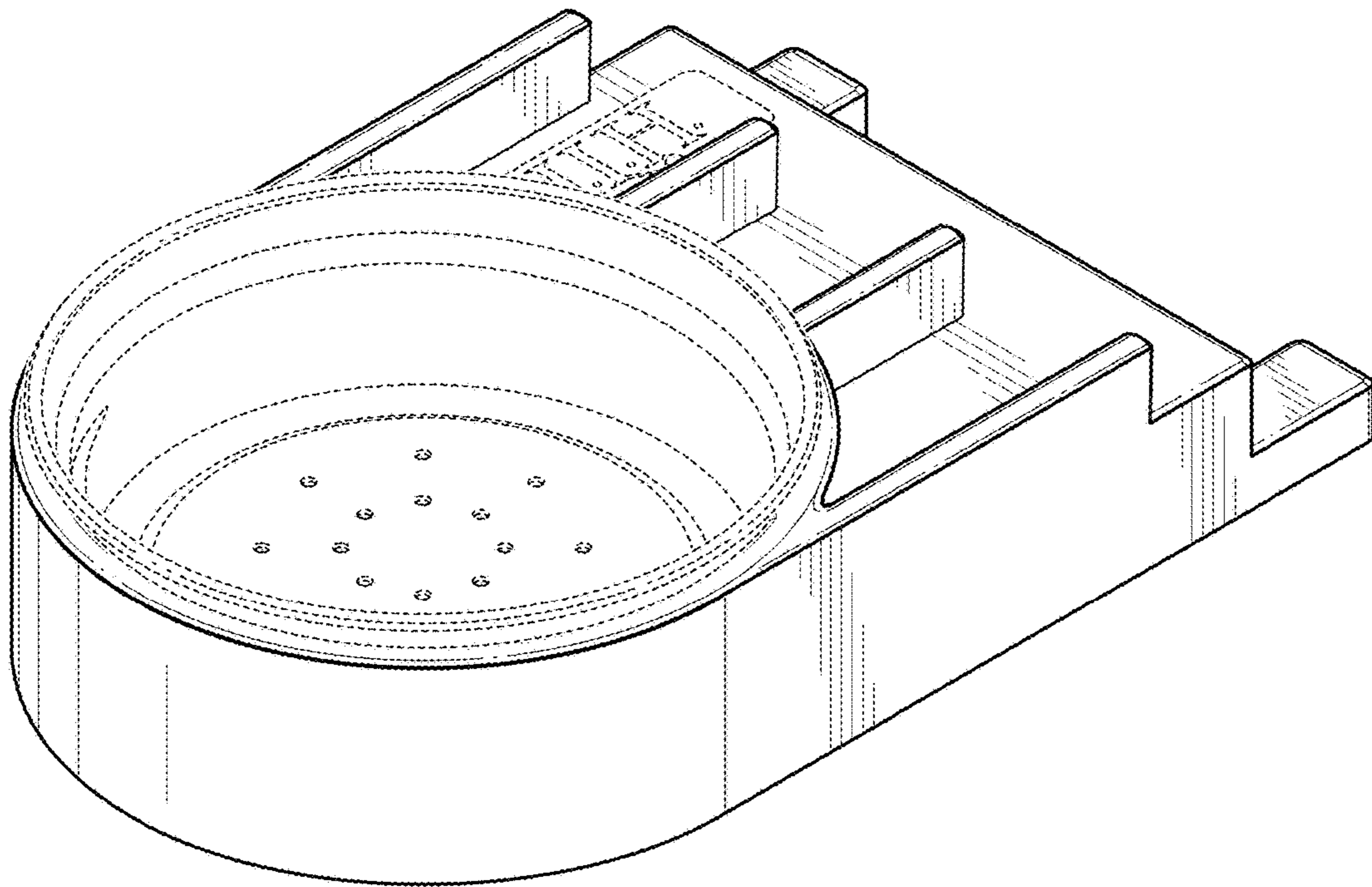


FIG. 10