



US00D826480S

(12) **United States Design Patent**
Bohline

(10) **Patent No.:** **US D826,480 S**

(45) **Date of Patent:** **** Aug. 21, 2018**

(54) **DOG KENNEL MAT**

(71) Applicant: **Dry Dog LLC**, Edina, MN (US)

(72) Inventor: **Benjamin A. Bohline**, Edina, MN (US)

(73) Assignee: **Dry Dog LLC**, Edina

(**) Term: **15 Years**

(21) Appl. No.: **29/599,290**

(22) Filed: **Mar. 31, 2017**

(51) **LOC (11) Cl.** **30-02**

(52) **U.S. Cl.**
USPC **D30/120; D7/554.3; D12/203**

(58) **Field of Classification Search**
USPC D30/118, 119, 120, 129, 133, 158, 161,
D30/199; D6/705; D7/554.3; D12/203
CPC A01K 1/015; A01K 1/0157; A01K 1/03;
A01K 1/035; A01K 1/0353
See application file for complete search history.

(56) **References Cited**

U.S. PATENT DOCUMENTS

502,004	A *	7/1893	Logan	A01K 1/015 119/527
D238,592	S *	1/1976	Goldman	D30/133
D263,268	S *	3/1982	Rein	D7/359
D263,511	S *	3/1982	Bartscher	D25/156
D274,757	S *	7/1984	Beaty, Sr.	D25/144
4,520,759	A *	6/1985	Deters	B28B 7/08 119/447
D288,396	S *	2/1987	Ritman	D7/554.3
D288,636	S *	3/1987	McLaren	5/425
D312,545	S *	12/1990	Cohn	D30/120
D344,658	S *	3/1994	Arkoosh, Jr.	D7/359
D351,694	S *	10/1994	Evans	D30/161
D358,965	S *	6/1995	Meier	D7/554.3
D362,572	S *	9/1995	Joseph, Jr.	D19/92
D363,196	S *	10/1995	Kristiansen	D7/553.3

D376,882	S *	12/1996	Cook	D32/55
D378,561	S *	3/1997	Ferris	D7/359
D384,778	S *	10/1997	Powers	D30/119

(Continued)

OTHER PUBLICATIONS

“Joseph Joseph Flume Folding Draining Mat.” Found online Jun. 7, 2018 at www.amazon.co.uk. Page dated Feb. 15, 2016. Retrieved from URL: <https://www.amazon.co.uk/Joseph-Flume-Folding-Draining-Large/dp/B01BPDXXQ6> (Year: 2016).*

(Continued)

Primary Examiner — Garth Rademaker
Assistant Examiner — Katelin G Kloberg
(74) *Attorney, Agent, or Firm* — Grumbles Law PLLC;
Brittany Nanzig

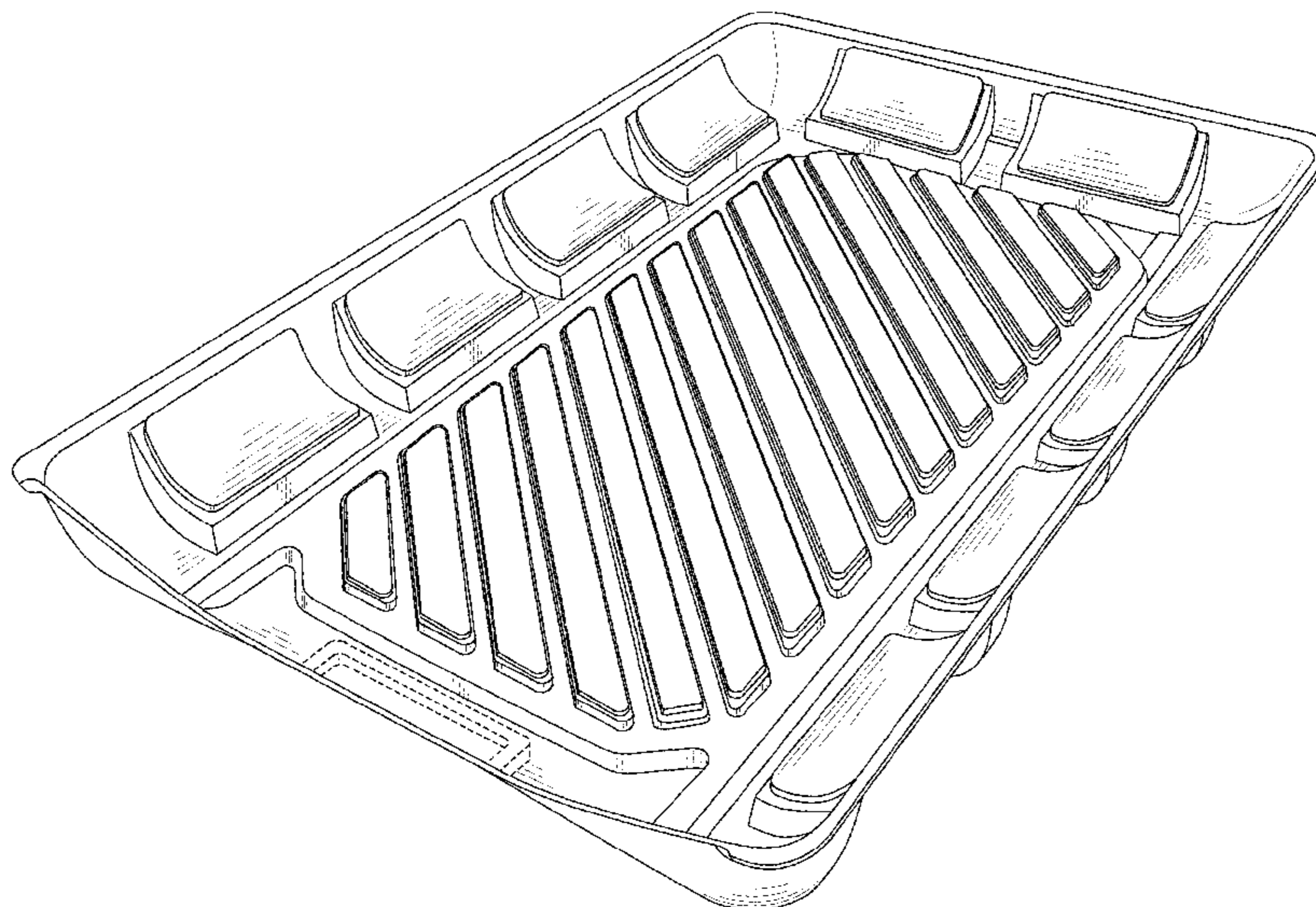
(57) **CLAIM**

The ornamental design for a dog kennel mat, as shown and described.

DESCRIPTION

FIG. 1 is a top plan view of a dog kennel mat showing my new design.
FIG. 2 is a bottom plan view of the dog kennel mat.
FIG. 3 is a back elevational view of the dog kennel mat.
FIG. 4 is a front elevational view of the dog kennel mat.
FIG. 5 is a left side elevational view of the dog kennel mat.
FIG. 6 is a right side elevational view of the dog kennel mat.
FIG. 7 is a cross-sectional front view of the dog kennel mat taken from the line 7-7 in FIG. 1.
FIG. 8 is a top, front, right side perspective view of the dog kennel mat; and,
FIG. 9 is a bottom, front, left side perspective view of the dog kennel mat.
The broken lines in the drawings depict parts of the dog kennel mat that form no part of the claimed design.

1 Claim, 6 Drawing Sheets



(56)

References Cited

U.S. PATENT DOCUMENTS

D387,512 S * 12/1997 Bergman D30/119
 D408,949 S * 4/1999 Queen D30/161
 D419,375 S * 1/2000 Mangla D7/387
 D451,347 S * 12/2001 Kleckauskas D7/359
 D518,248 S * 3/2006 Northrop D30/161
 D523,186 S * 6/2006 Northrop D30/133
 D550,408 S * 9/2007 Willinger D30/133
 D652,587 S * 1/2012 Matsuo D30/161
 D678,632 S * 3/2013 Chance D30/161
 D686,786 S * 7/2013 Alami D30/161
 D689,247 S * 9/2013 Reichert D30/119
 D693,528 S * 11/2013 Mishan D30/161
 D725,833 S * 3/2015 Trifiro D30/119
 D727,576 S * 4/2015 Avalos Sartorio D30/121
 D770,232 S * 11/2016 Brown D7/554.3
 D775,883 S * 1/2017 Mason D6/705
 D776,368 S * 1/2017 Avalos Sartorio D30/118
 D782,756 S * 3/2017 Veness D30/161

D786,514 S * 5/2017 Stricklin D30/161
 9,737,045 B1 * 8/2017 Scanlan A01K 1/011
 D799,759 S * 10/2017 Elliott D30/161
 2018/0103608 A1 * 4/2018 Bohline A01K 1/0157

OTHER PUBLICATIONS

“YouTube—Zinger Aluminum Dog Crate—Accessories (Drain-Thru Crate Flooring).” Found online Jun. 7, 2018 at www.youtube.com. Video published Nov. 9, 2014. Retrieved from URL: <https://www.youtube.com/watch?v=5LQWUCHDrQg> (Year: 2014).*

“Tierra Garden GP105B Black 2-Tier Recycled Plastic Boot Tray.” Found online Jun. 7, 2018 at www.amazon.com. Page dated Mar. 14, 2016. Retrieved from URL: <https://www.amazon.com/Tierra-Garden-GP105B-Recycled-Plastic/dp/B001QJ11FW> (Year: 2016).*

“Dog Litter Pan by PuppyGoHere.” Found online Jun. 7, 2018 at www.amazon.com. Page dated May 26, 2014. Retrieved from URL: <https://tinyurl.com/yctj7376> (Year: 2014).*

* cited by examiner

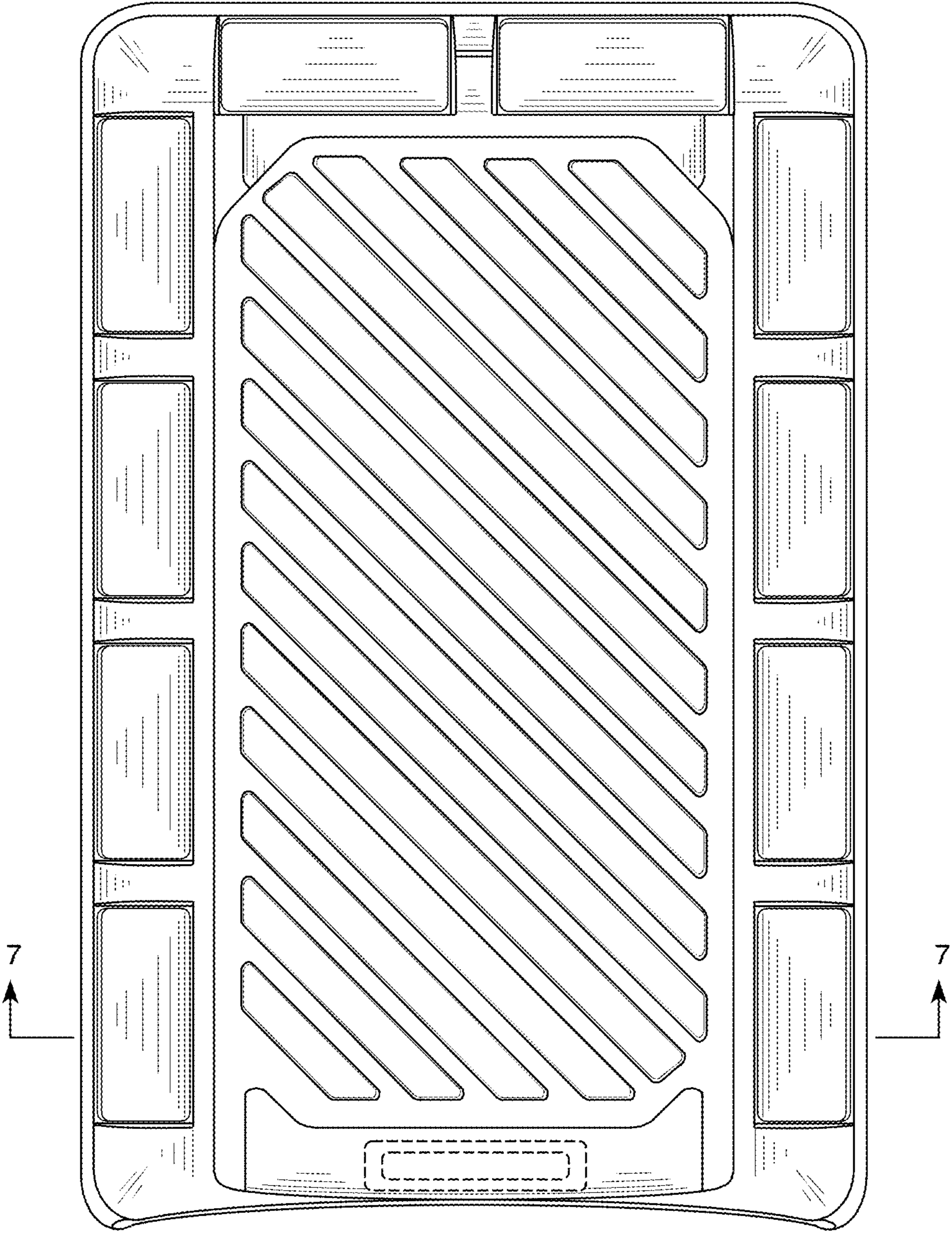


FIG. 1

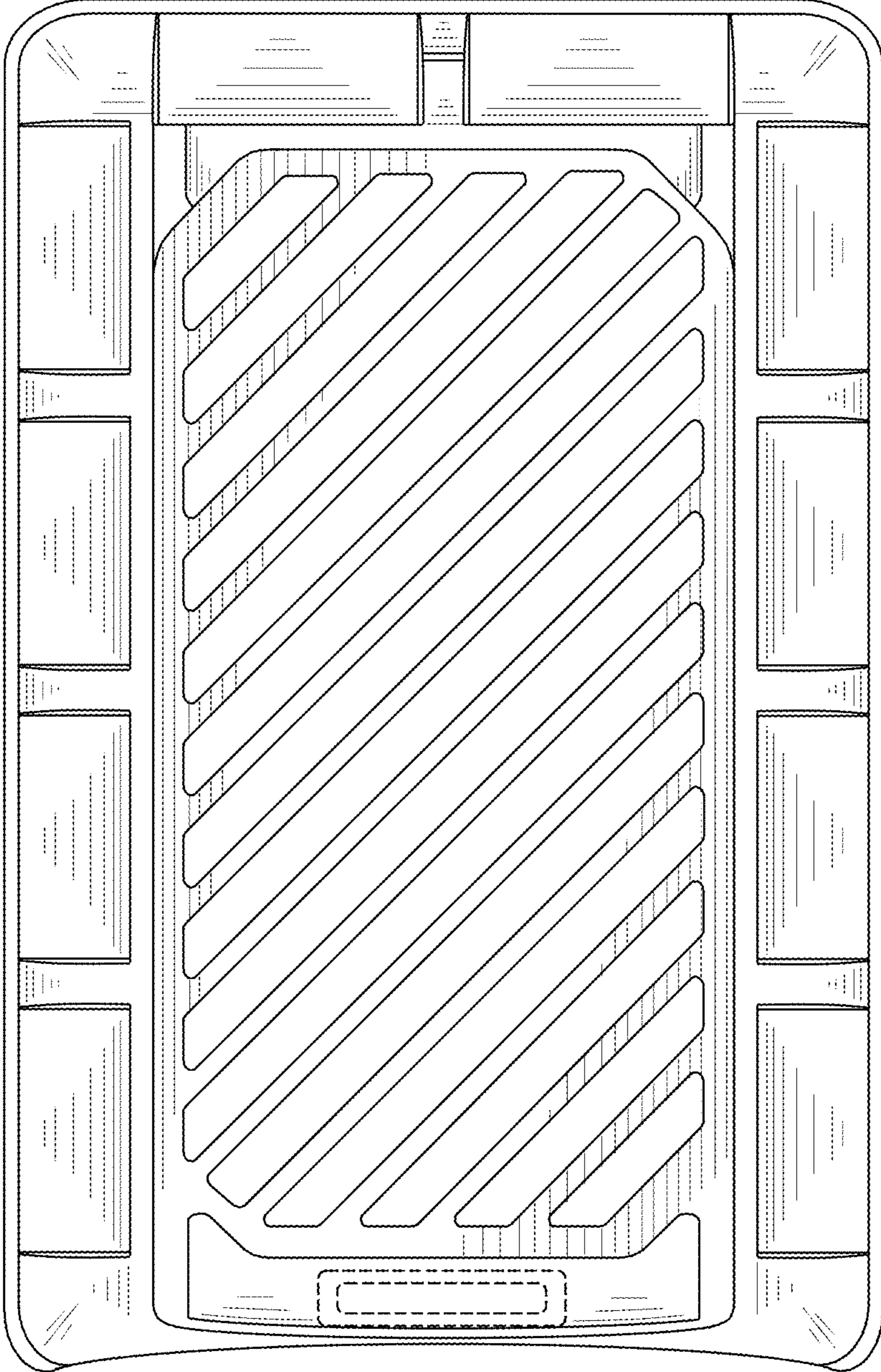


FIG. 2

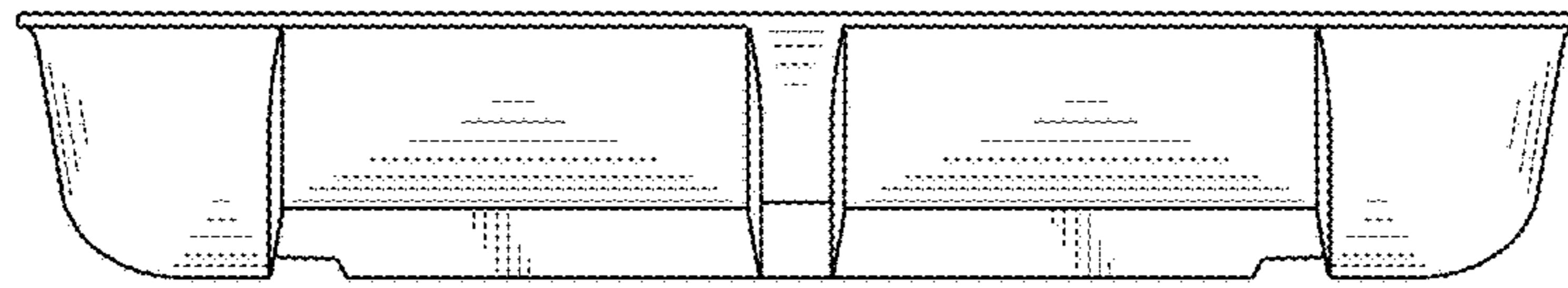


FIG. 3

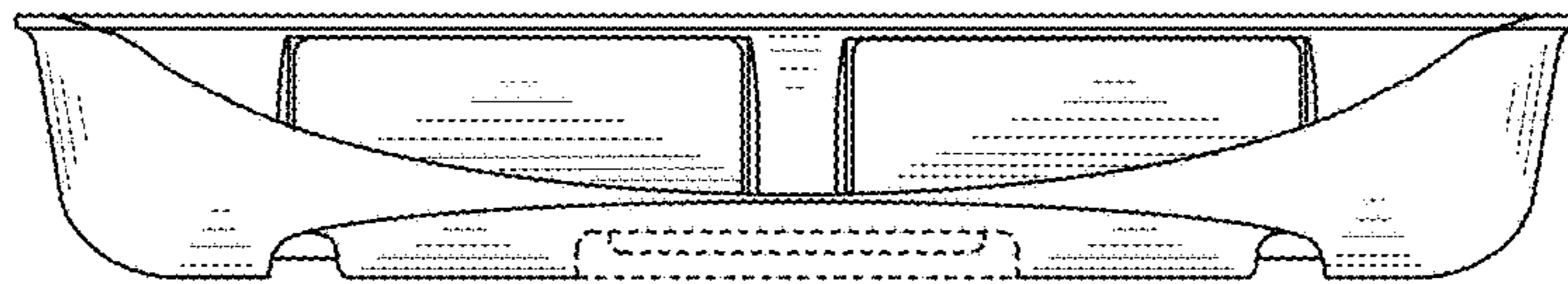


FIG. 4

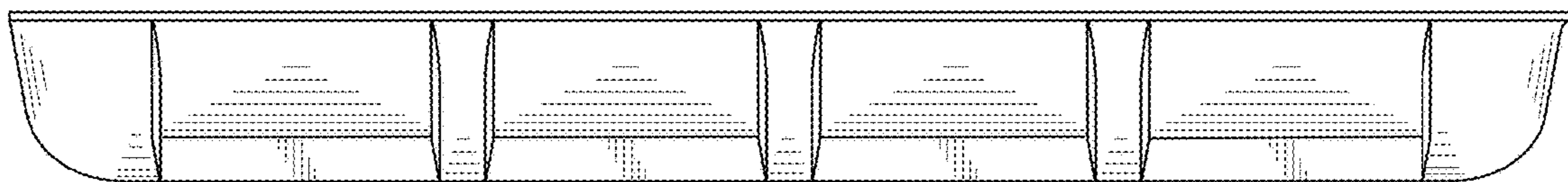


FIG. 5

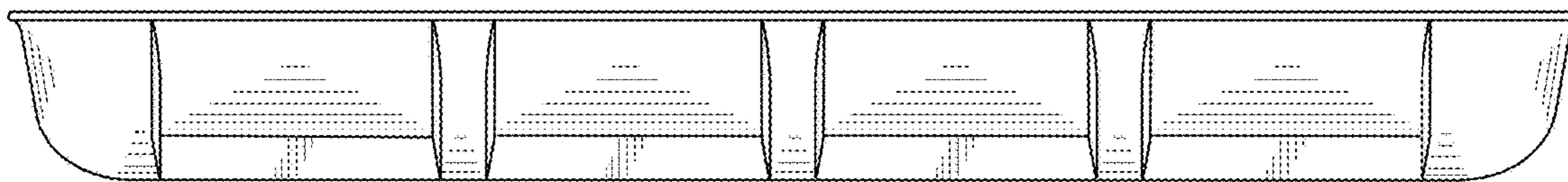


FIG. 6

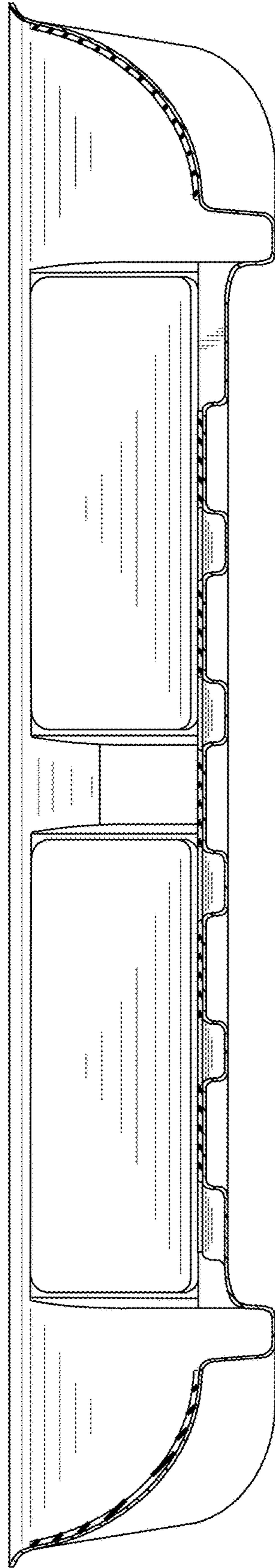


FIG. 7

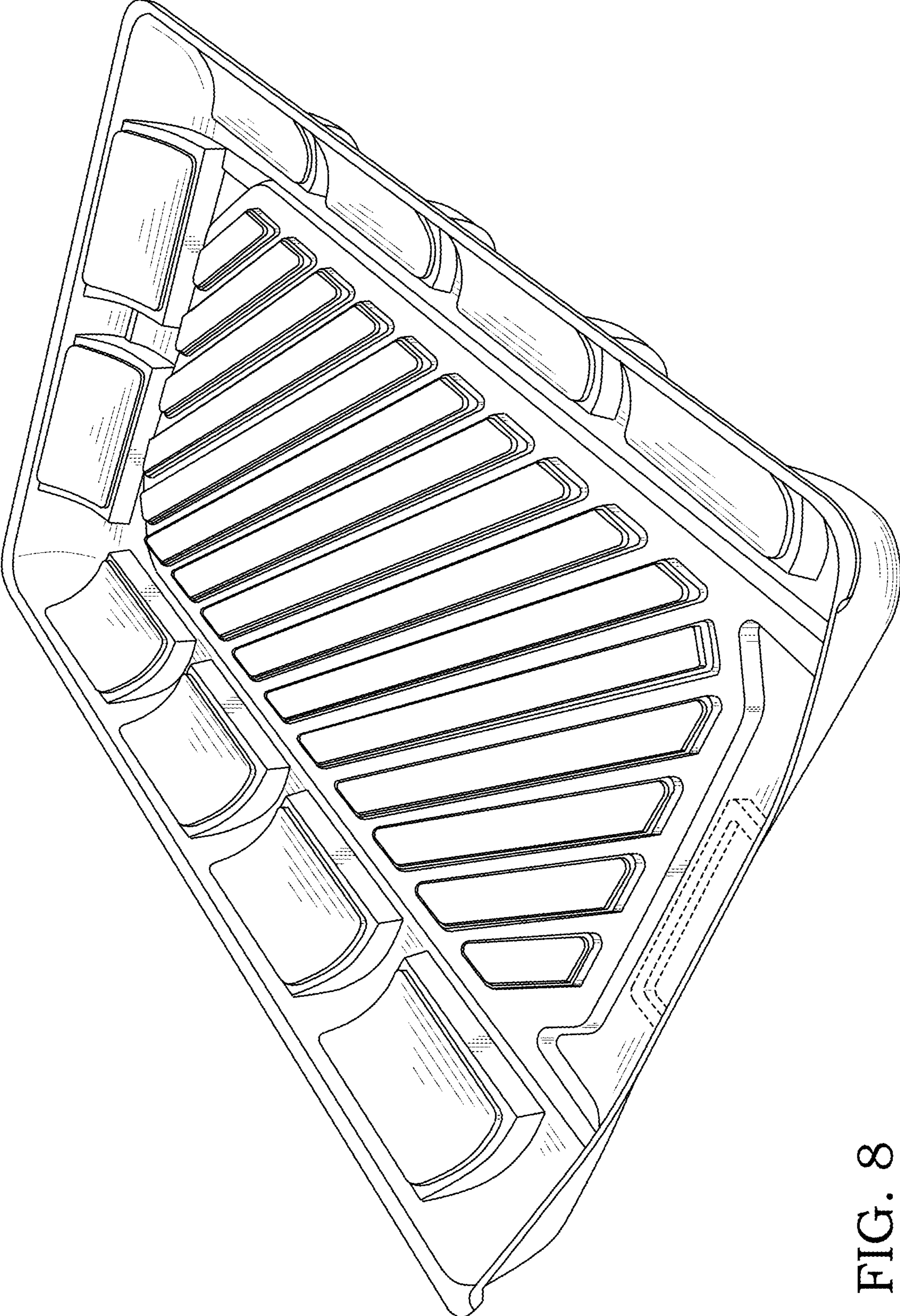


FIG. 8

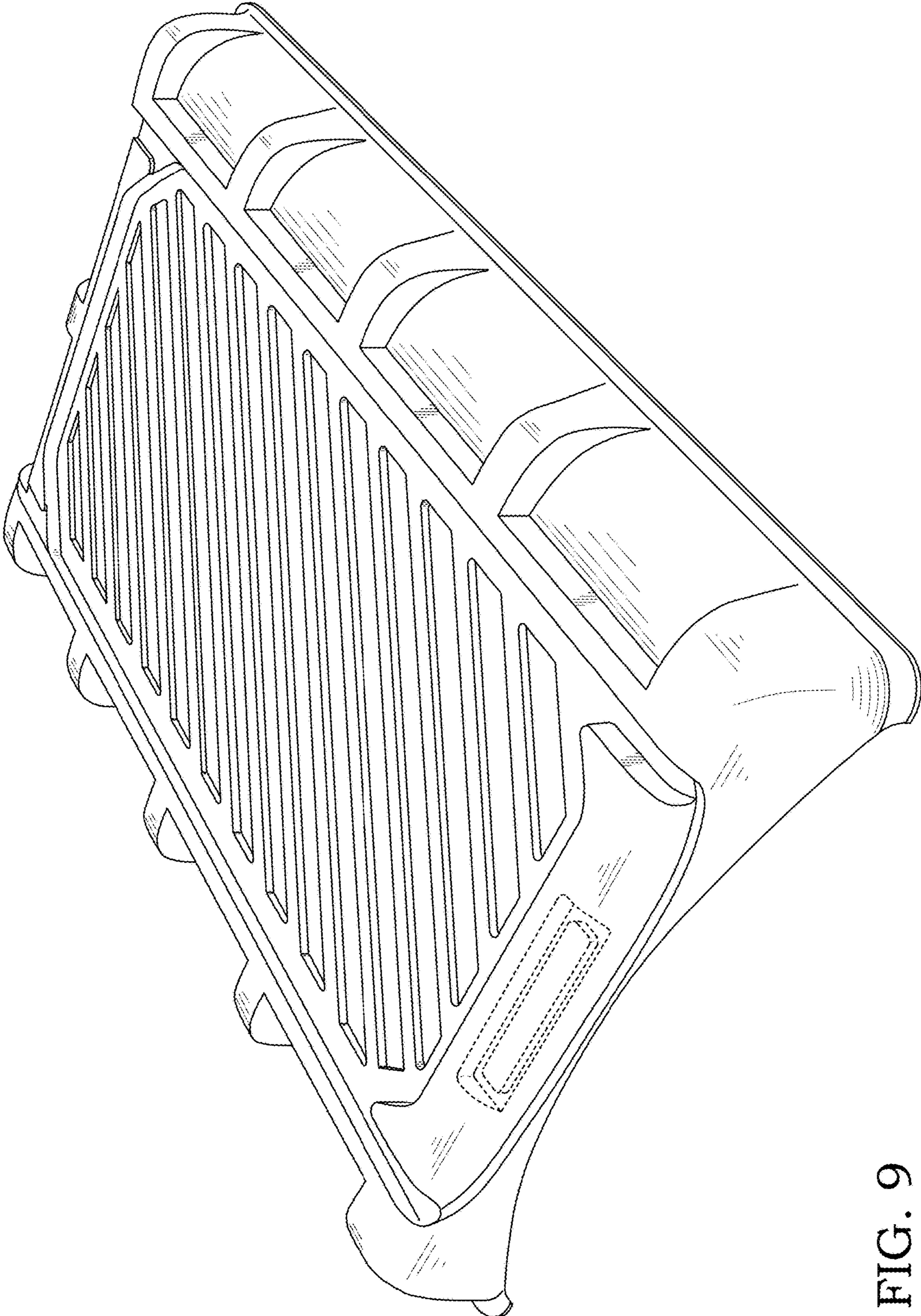


FIG. 9