



US00D826476S

(12) **United States Design Patent** (10) **Patent No.:** **US D826,476 S**
Cozzolino et al. (45) **Date of Patent:** **** Aug. 21, 2018**

(54) **NAIL STATION**
 (71) Applicant: **POLDER PRODUCTS, LLC**, Oxford, CT (US)
 (72) Inventors: **Steven C. Cozzolino**, New York, NY (US); **Cody Stonerock**, Brooklyn, NY (US); **Peter Kristiansen**, Mendham, NJ (US); **Kerry Cooper**, Pleasantville, NY (US)
 (73) Assignee: **Polder Products, LLC**, Oxford, CT (US)

6,658,759 B2 12/2003 Hu
 D497,453 S * 10/2004 Dashefsky D28/61
 6,826,848 B1 12/2004 Delaney et al.
 D525,657 S * 7/2006 Warren, III D19/77
 7,100,620 B2 9/2006 Fung
 7,162,811 B2 1/2007 Delaney et al.
 7,712,473 B1 5/2010 Robinson et al.
 D622,447 S * 8/2010 Hurman D28/58
 D704,890 S * 5/2014 Sturge D28/61
 D710,543 S * 8/2014 Dittmer D28/73
 9,179,752 B2 11/2015 Kim et al.
 2004/0045568 A1 * 3/2004 Abbott A45D 29/22
 132/73
 2013/0087162 A1 * 4/2013 Fitz A45D 29/20
 132/73

(**) Term: **15 Years**

(21) Appl. No.: **29/555,855**

(22) Filed: **Feb. 25, 2016**

(51) **LOC (11) Cl.** **28-03**

(52) **U.S. Cl.**
USPC **D28/61; D28/73**

(58) **Field of Classification Search**
USPC D28/54.1, 58, 61, 73, 9
CPC A45D 44/02; A45D 29/18; A45D 29/00;
A45D 29/20; A45D 2200/25; A45D
2200/20–2200/207

See application file for complete search history.

(56) **References Cited**

U.S. PATENT DOCUMENTS

3,596,371 A 8/1971 Hanisco
 4,464,906 A 8/1984 Outlaw
 D295,796 S * 5/1988 Wadsworth D28/73
 4,754,769 A 7/1988 Flynn
 5,084,984 A 2/1992 Duchoud et al.
 D334,998 S * 4/1993 Warner D28/58
 D343,285 S * 1/1994 Ancona D28/61
 5,782,379 A * 7/1998 Traub A45D 29/20
 132/285
 5,873,467 A 2/1999 Willhite et al.
 6,047,485 A 4/2000 Madyun

(Continued)

OTHER PUBLICATIONS

Nail Station by Polder, www.polder.com, 2 pages, reviewed as early as Mar. 2017, downloaded Aug. 22, 2017.*

Primary Examiner — Jennifer Rivard
(74) *Attorney, Agent, or Firm* — Duane Morris LLP

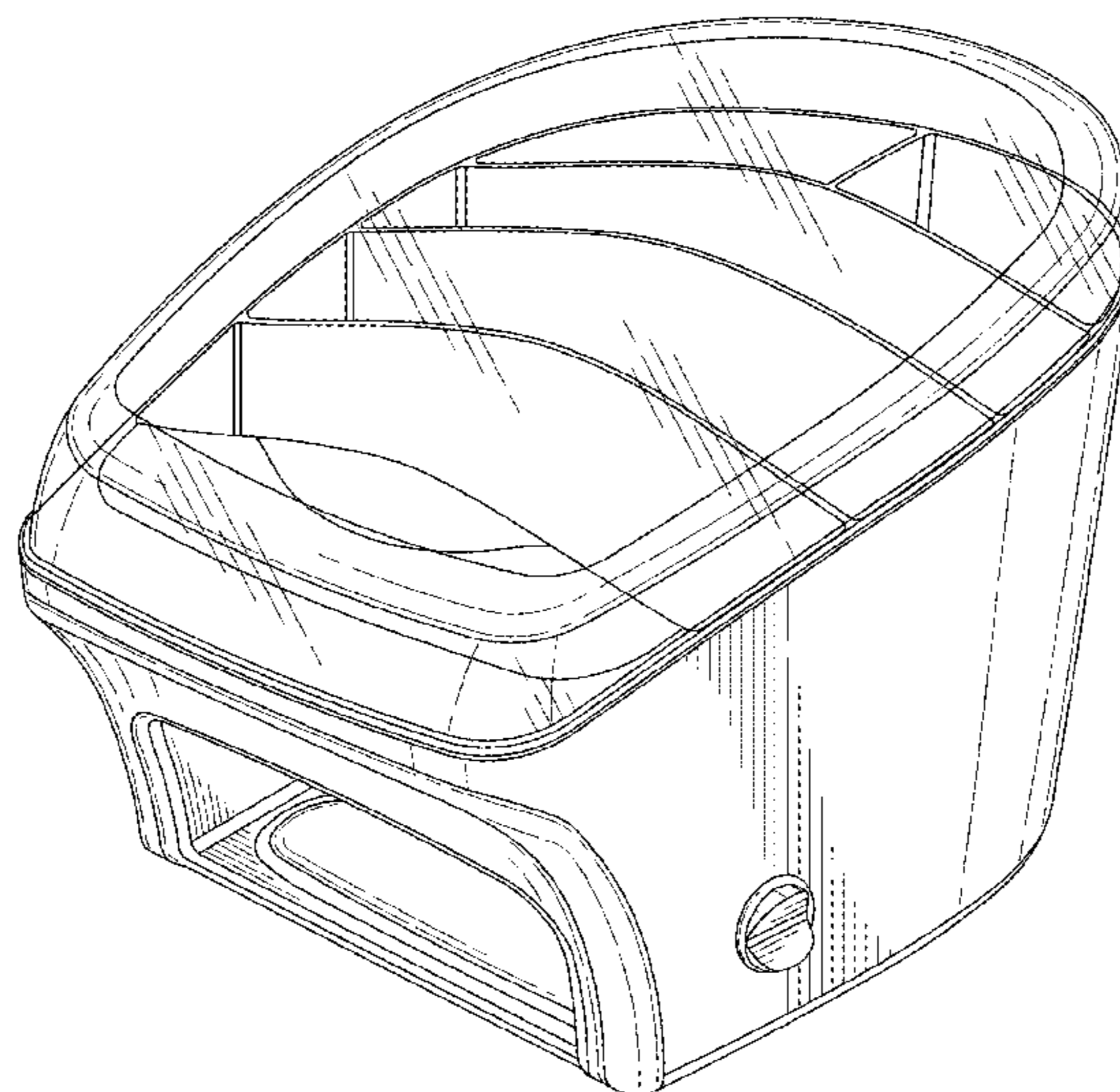
(57) **CLAIM**

The ornamental design for a nail station, as shown and described.

DESCRIPTION

FIG. 1 is a top isometric view of the nail station; FIG. 2 is a rear elevation view of the nail station; FIG. 3 is a side elevation view of the nail station; FIG. 4 is a side elevation view of the nail station; FIG. 5 is a bottom side view of the nail station; and, FIG. 6 is a top isometric view of the nail station having a top portion separated from a base portion. The broken lines illustrate a portion of the nail station and form no part of the claimed design.

1 Claim, 6 Drawing Sheets



(56)

References Cited

U.S. PATENT DOCUMENTS

2013/0220948 A1* 8/2013 Nguyen A47F 5/025
211/1.55
2017/0135173 A1* 5/2017 Huang A45D 29/00

* cited by examiner

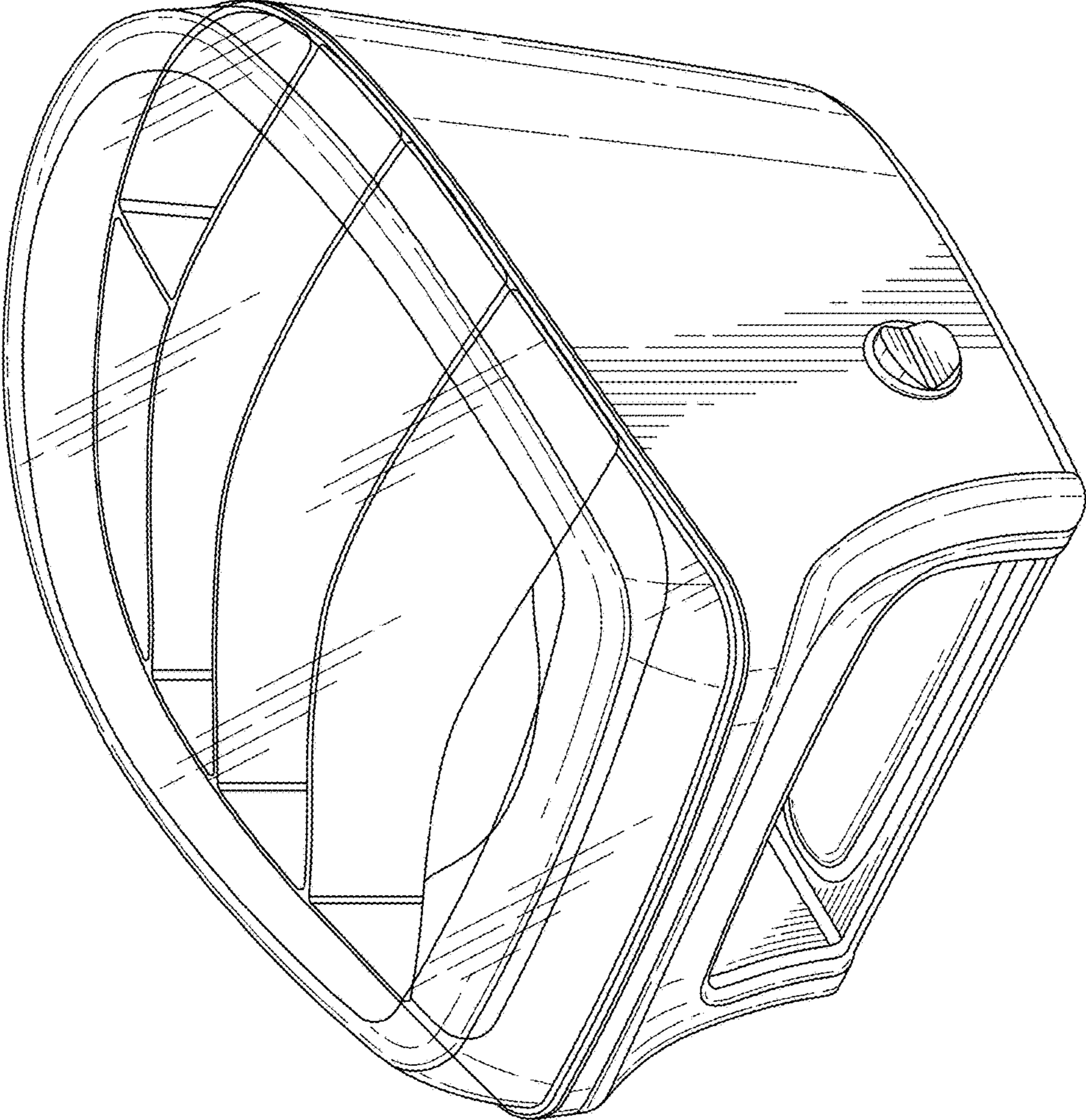


FIG. 1

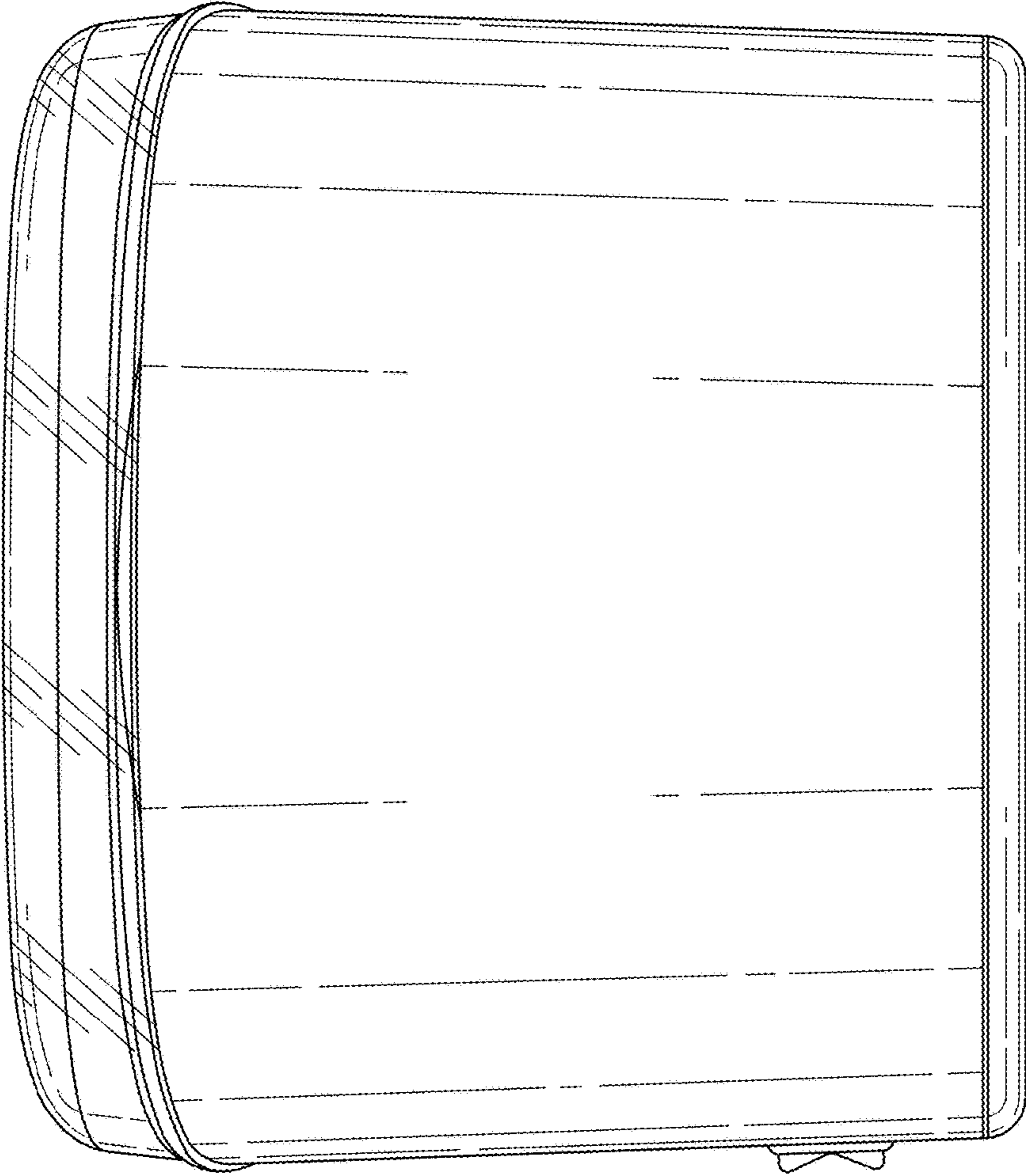


FIG. 2

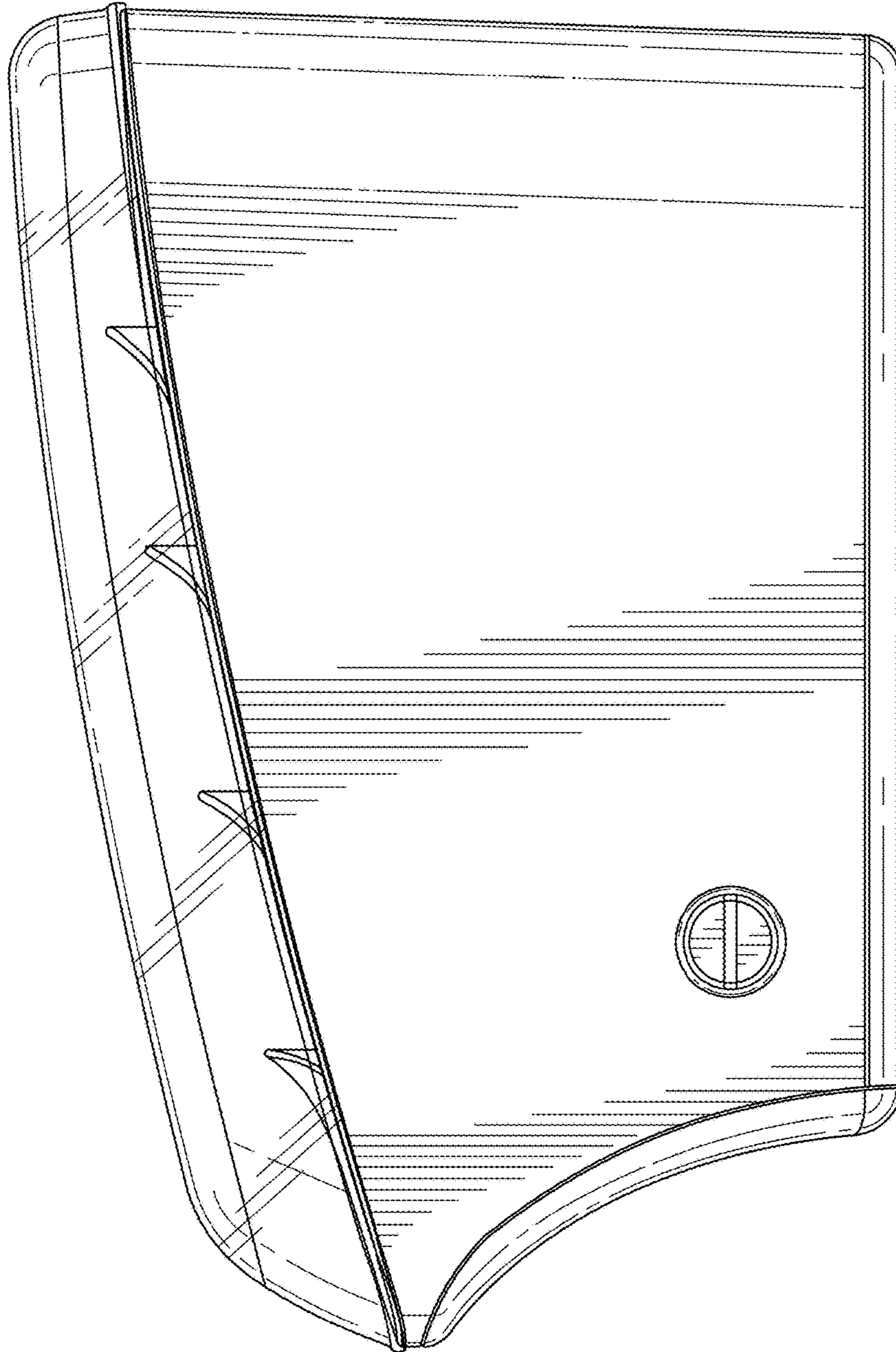


FIG. 3

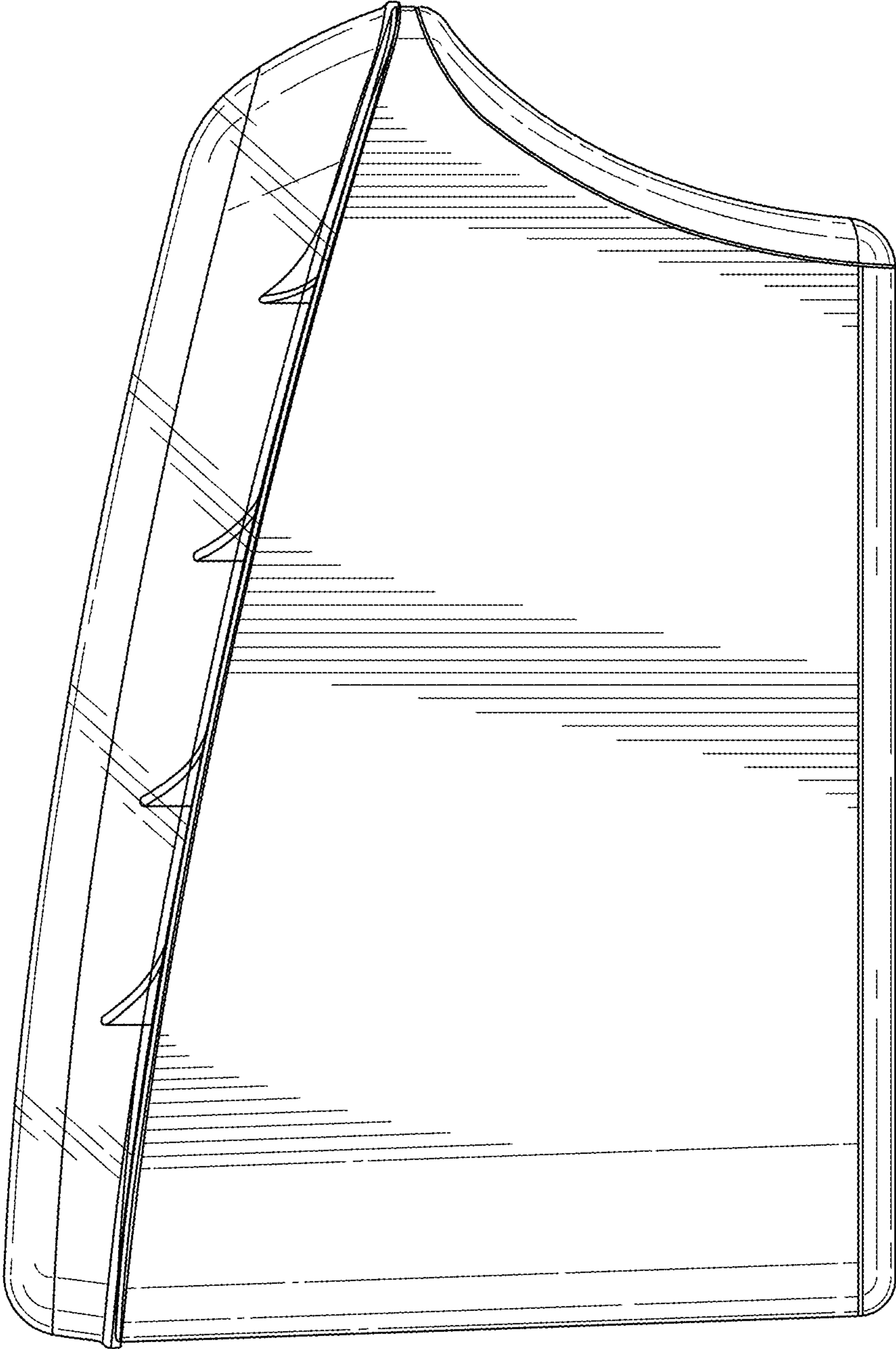


FIG. 4

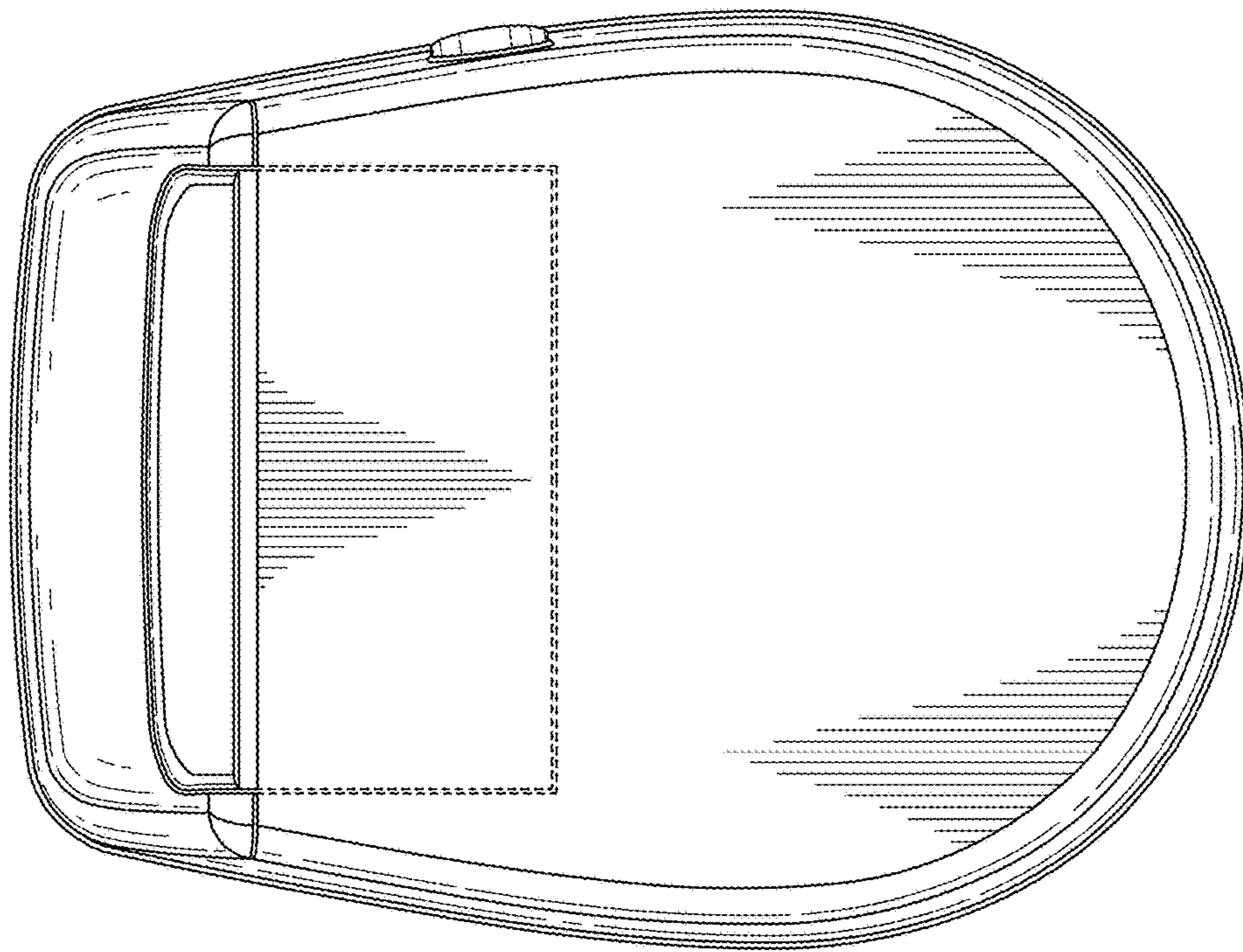


FIG. 5

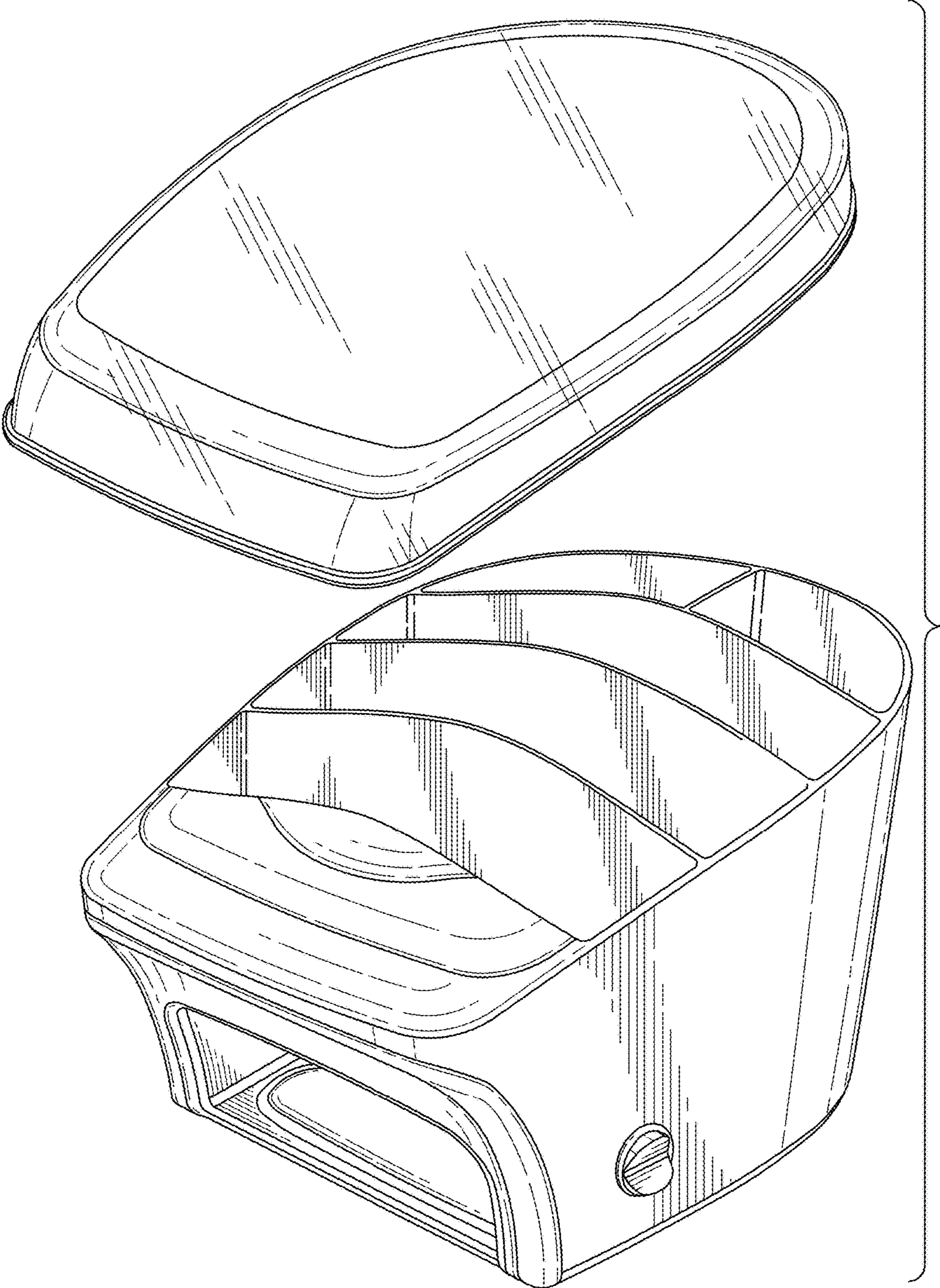


FIG. 6