



US00D826474S

(12) **United States Design Patent**
Dryfhout

(10) **Patent No.:** **US D826,474 S**
(45) **Date of Patent:** **** Aug. 21, 2018**

(54) **BACK SHAVER BLADE**

(71) Applicant: **Dryfhout Enterprises, LLC**, Frankfort, IL (US)

(72) Inventor: **Matthew James Dryfhout**, Frankfort, IL (US)

(73) Assignee: **Dryfhout Enterprises, LLC**, Frankfort, IL (US)

(**) Term: **15 Years**

(21) Appl. No.: **29/584,244**

(22) Filed: **Nov. 13, 2016**

(51) **LOC (11) Cl.** **28-03**

(52) **U.S. Cl.**
USPC **D28/47**

(58) **Field of Classification Search**
USPC D28/44, 45-48
CPC B26B 21/54-21/60; B26B 21/00-21/06;
B26B 21/08-21/125; B26B 21/14-21/20;
B26B 21/22-21/24; B26B 21/28; B26B
21/30-21/32; B26B 21/34-21/38; B26B
21/40-21/4031; B26B 21/4043; B26B
21/4062; B26B 21/4068-21/4075; B26B
21/44-21/443; B26B 21/52-21/528
See application file for complete search history.

(56) **References Cited**

U.S. PATENT DOCUMENTS

1,047,617 A *	12/1912	Cress	B26B 21/56 30/346.61
1,060,245 A *	4/1913	Gaisman	B26B 21/56 30/308.3
D59,243 S *	10/1921	MacLagan	30/346.61

(Continued)

Primary Examiner — Jennifer Rivard

(74) *Attorney, Agent, or Firm* — Patents and Licensing LLC; Daniel W Juffernbruch

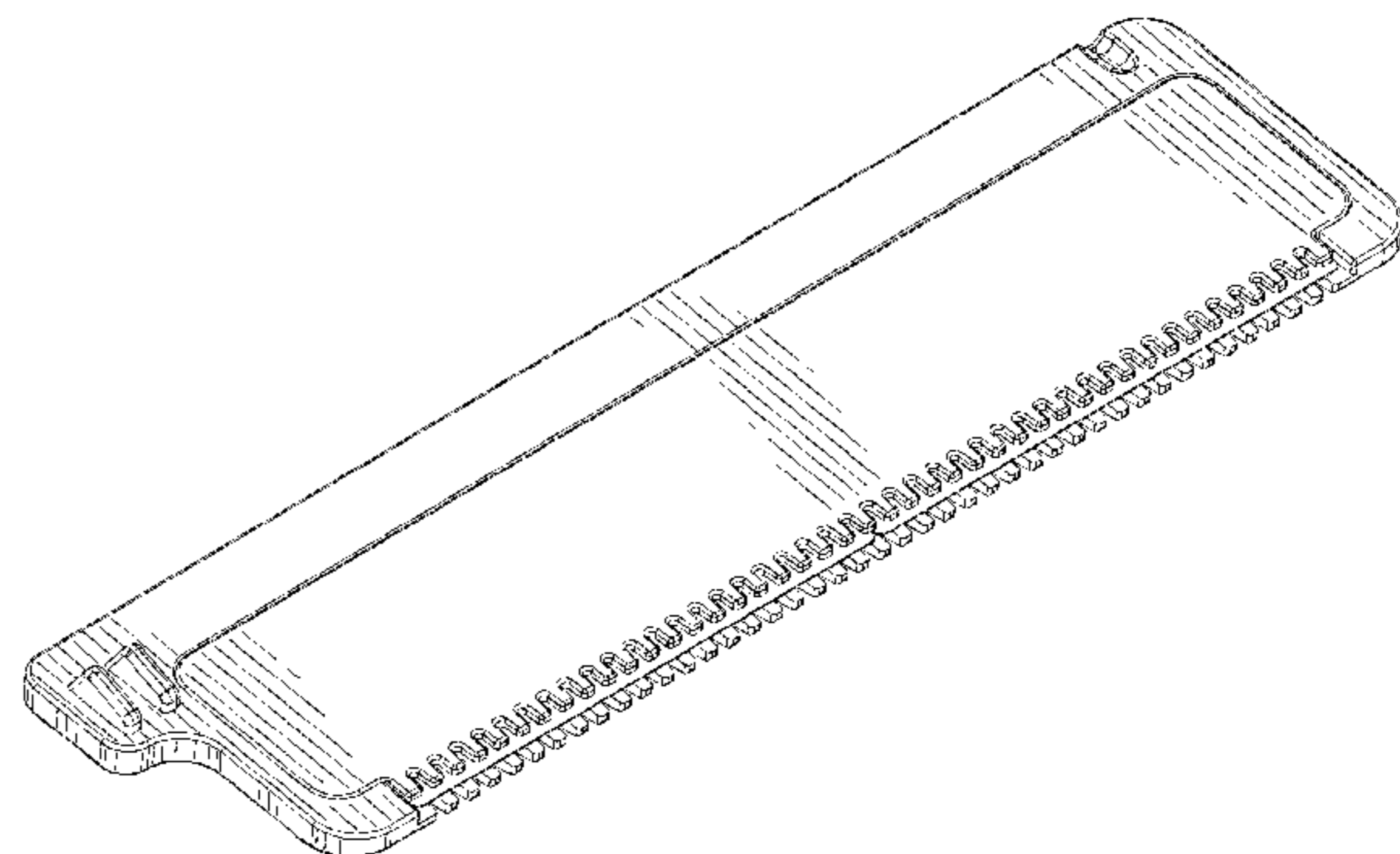
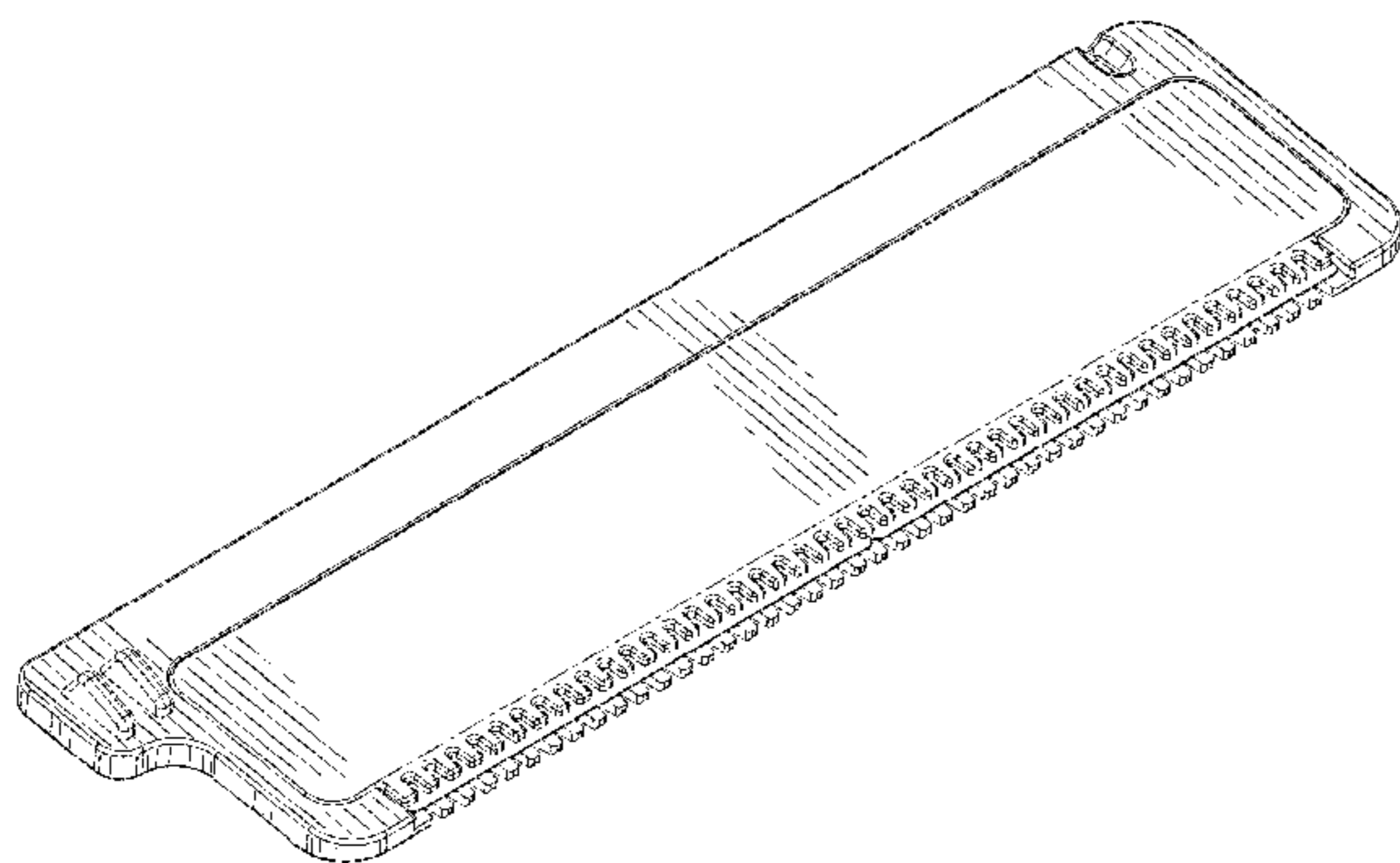
(57) **CLAIM**

The ornamental design for a back shaver blade, as shown and described.

DESCRIPTION

FIG. 1 is a front perspective view of a first embodiment of an ornamental design for a back shaver blade;
 FIG. 2 is a rear perspective view of the first embodiment thereof;
 FIG. 3 is a front view of the first embodiment thereof;
 FIG. 4 is a rear view of the first embodiment thereof;
 FIG. 5 is a first side view of the first embodiment thereof;
 FIG. 6 is a second side view of the first embodiment thereof;
 FIG. 7 is a top view of the first embodiment thereof; and
 FIG. 8 is a bottom view of the first embodiment thereof.
 FIG. 9 is a front perspective view of a second embodiment of an ornamental design for a back shaver blade;
 FIG. 10 is a rear perspective view of the second embodiment thereof;
 FIG. 11 is a front view of the second embodiment thereof;
 FIG. 12 is a rear view of the second embodiment thereof;
 FIG. 13 is a first side view of the second embodiment thereof;
 FIG. 14 is a second side view of the second embodiment thereof;
 FIG. 15 is a top view of the second embodiment thereof; and
 FIG. 16 is a bottom view of the second embodiment thereof.
 The evenly spaced broken lines illustrate portions of the back shaver blade and form no part of the claimed design. The dash dot dash broken lines illustrate the bounds of the claim. None of the broken lines form part of the claimed design.

1 Claim, 10 Drawing Sheets



(56)

References Cited

U.S. PATENT DOCUMENTS

2,108,267	A	*	2/1938	O'Neill	B26B 21/56
						30/346.56
D124,684	S	*	1/1941	Werner	D28/47
5,771,589	A	*	6/1998	Kim	B26B 5/006
						30/346.53
D495,827	S	*	9/2004	Branden	D28/47
D496,129	S	*	9/2004	Ogi	D28/47
D776,384	S	*	1/2017	Eldridge	D28/47

* cited by examiner

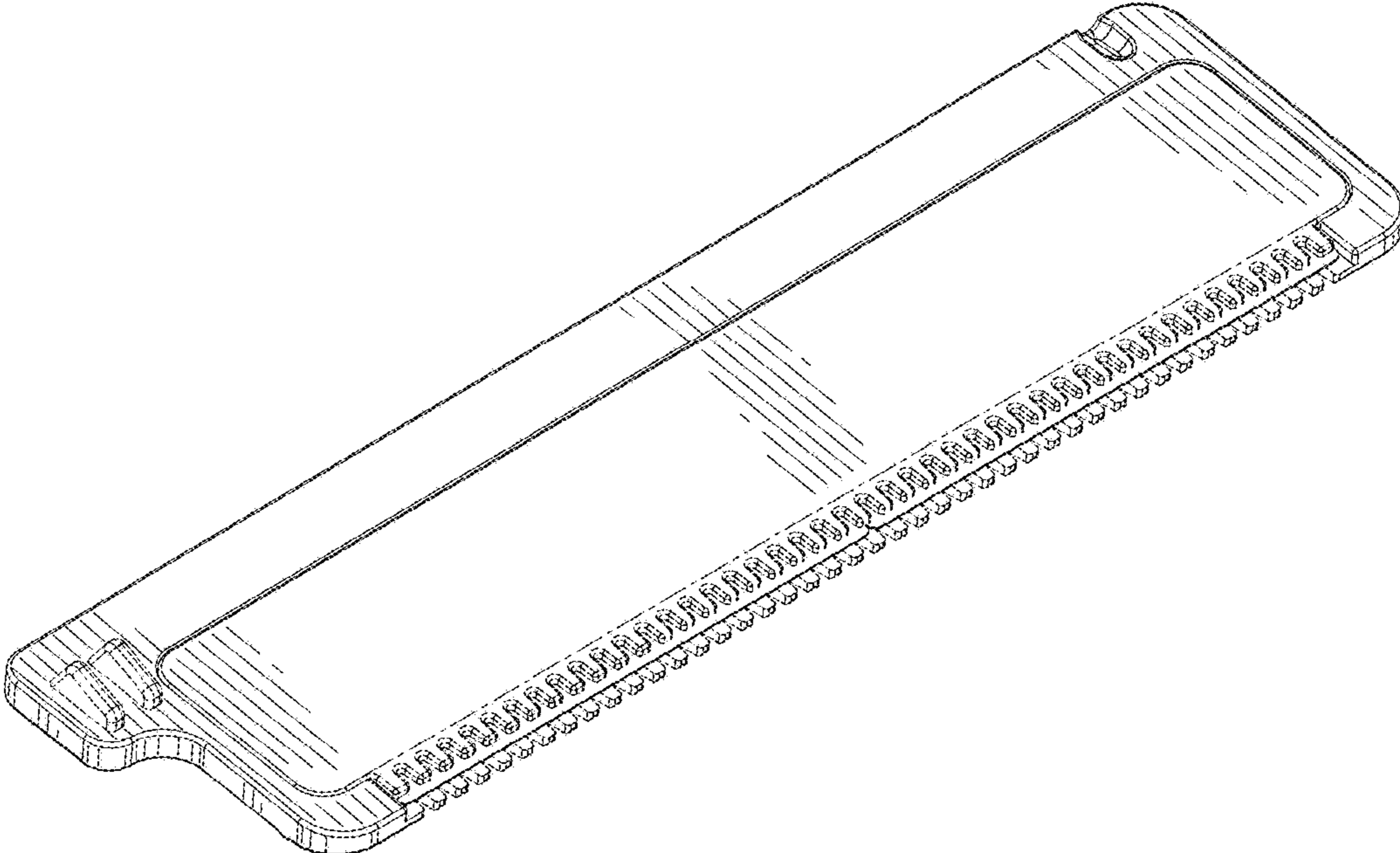


FIG. 1

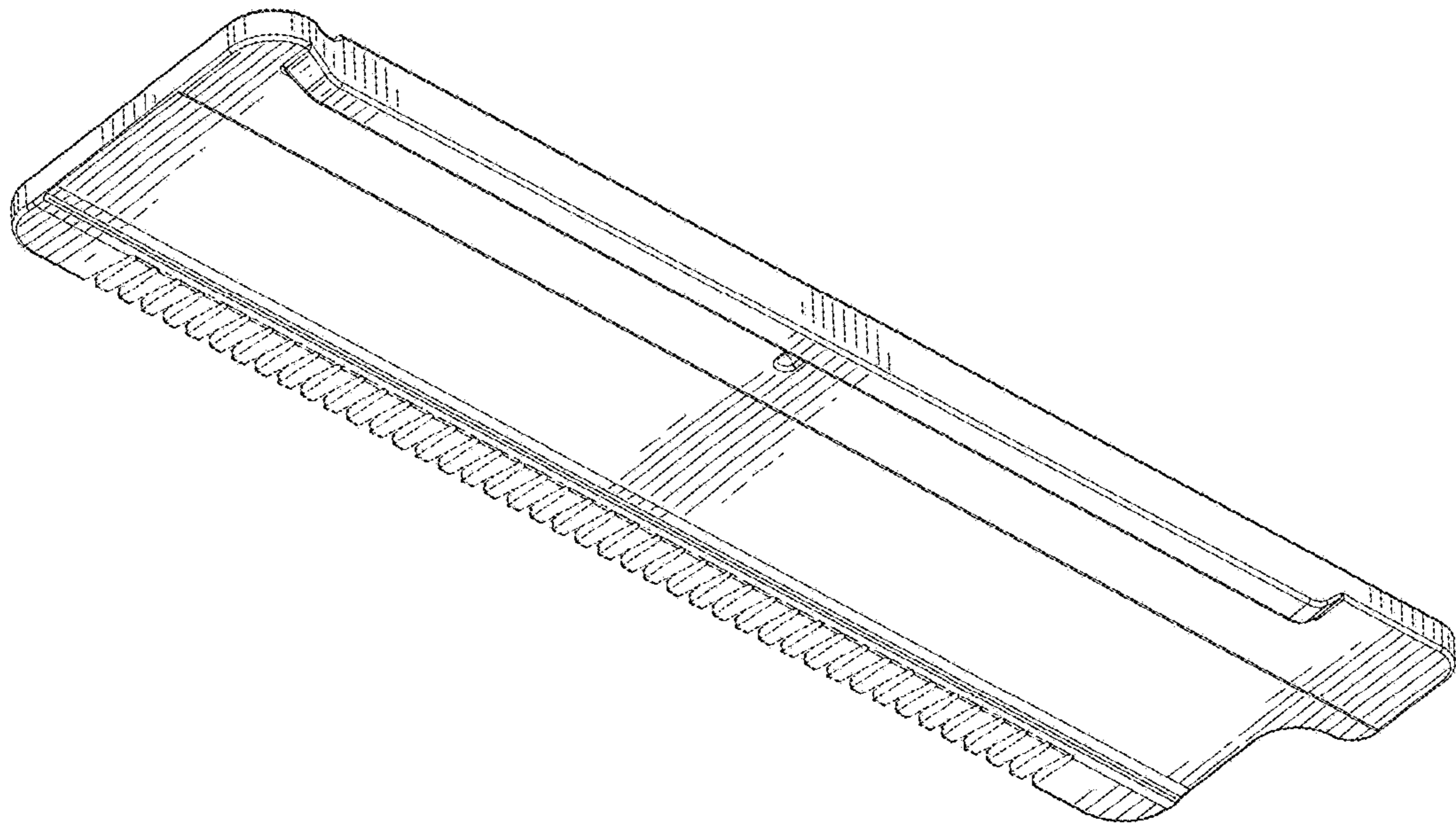


FIG. 2

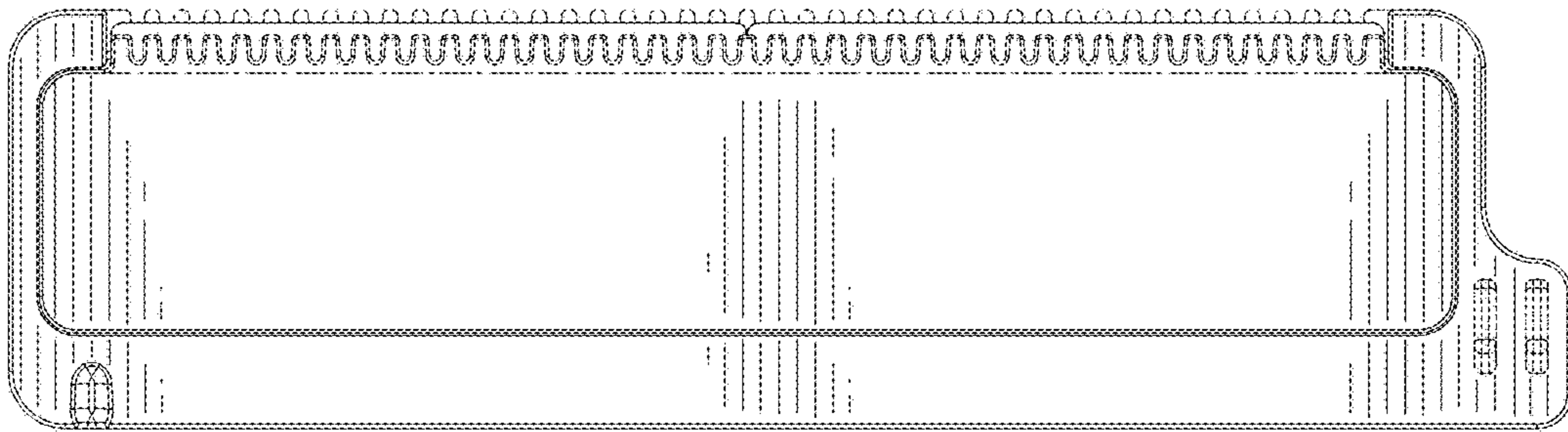


FIG. 3

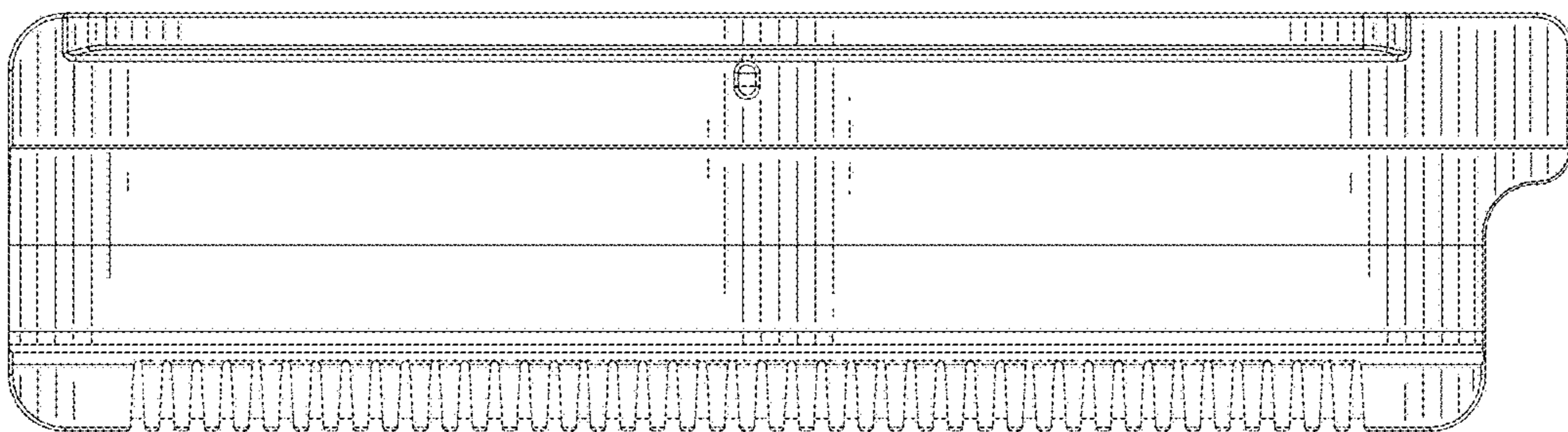


FIG. 4

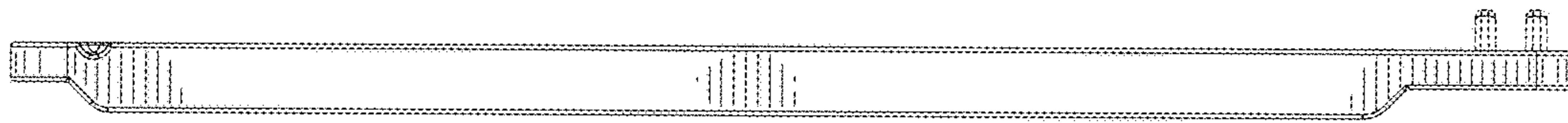


FIG. 5

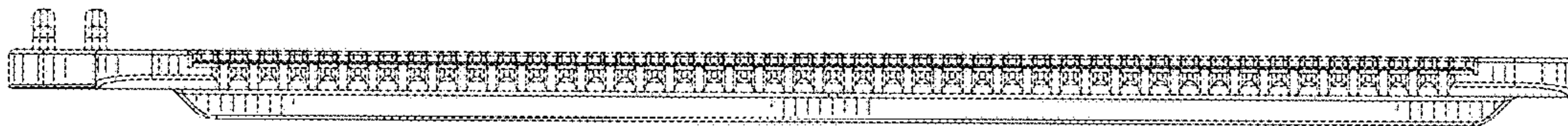


FIG. 6

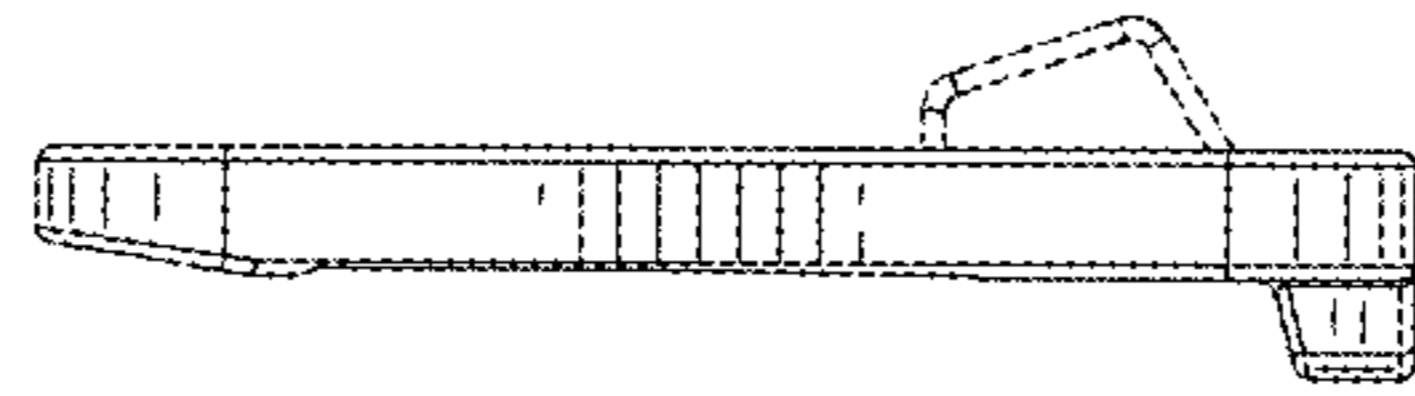


FIG. 7

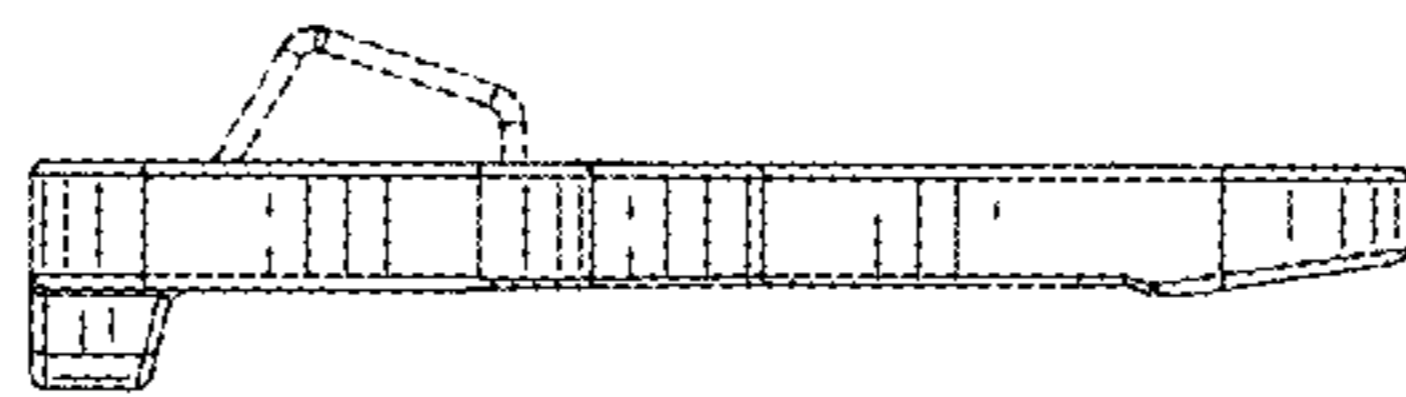


FIG. 8

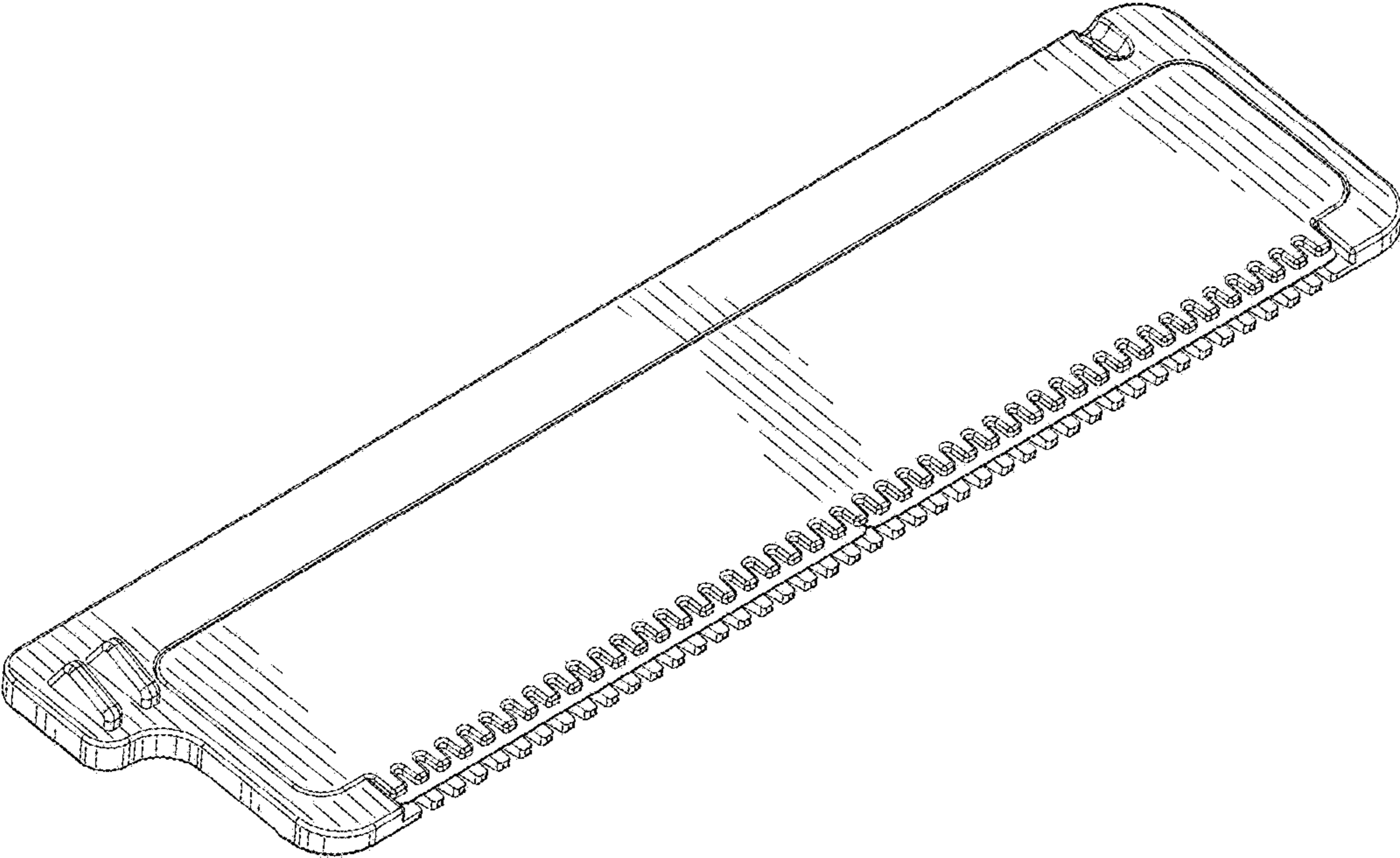


FIG. 9

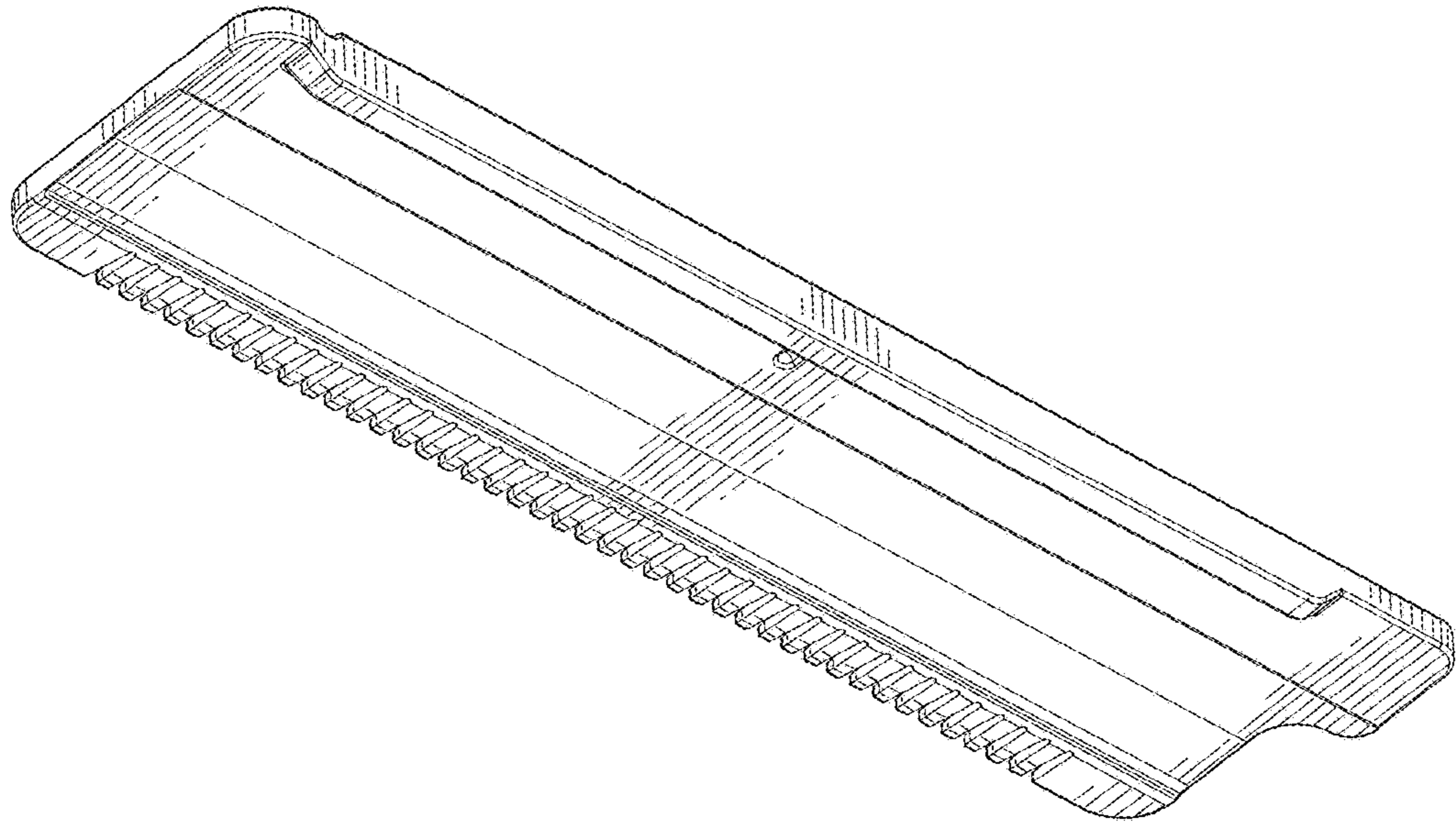


FIG. 10

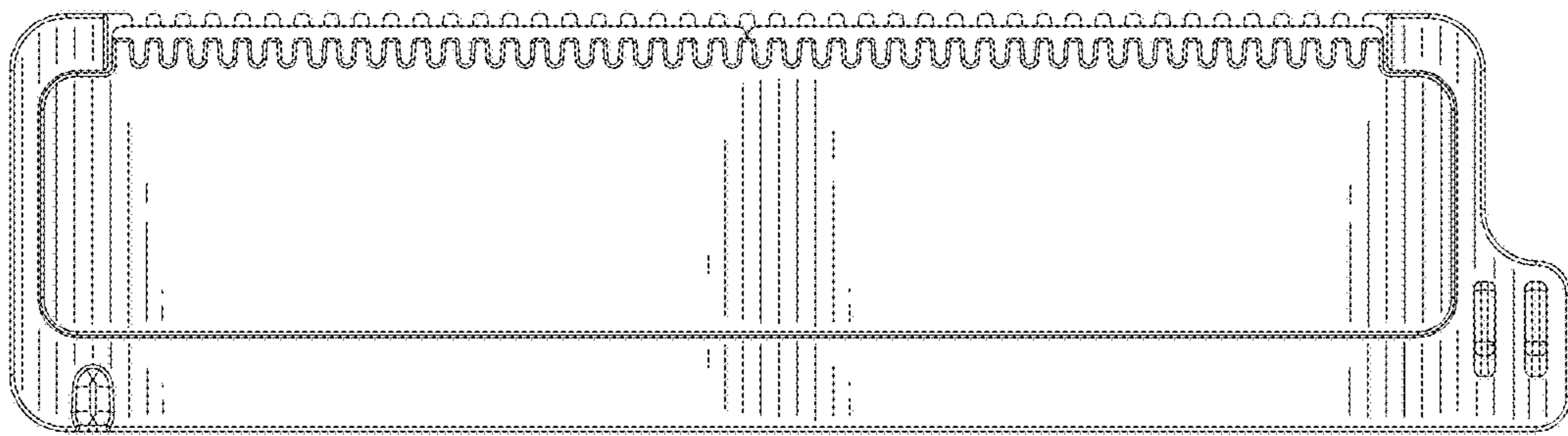


FIG. 11

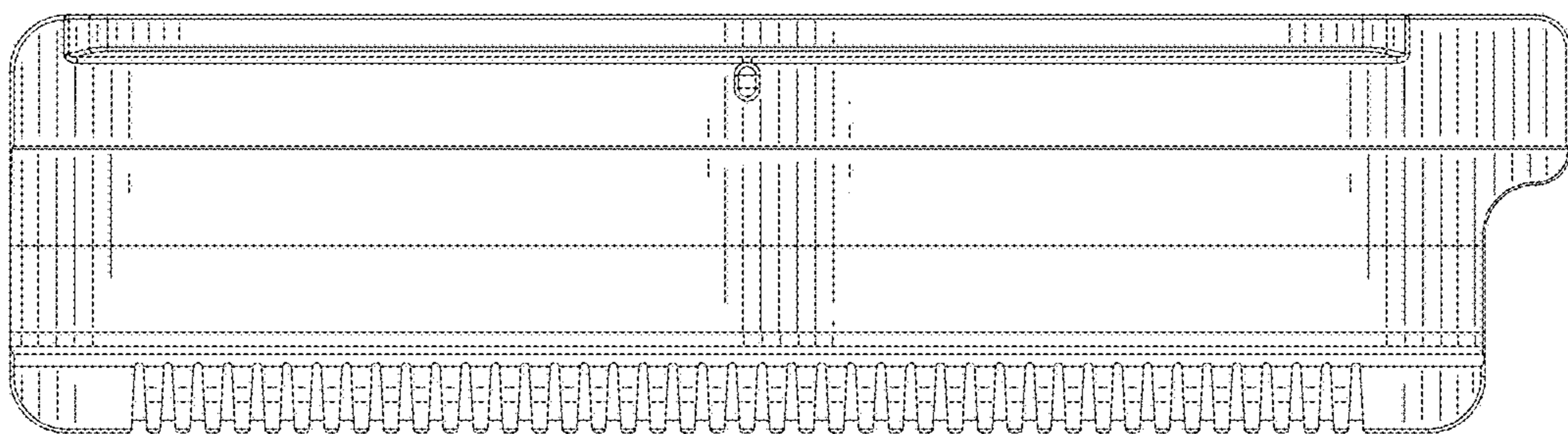


FIG. 12

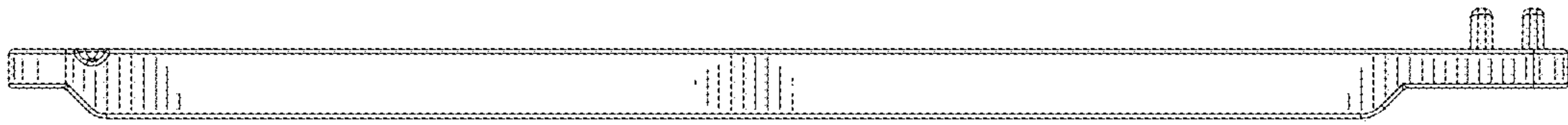


FIG. 13

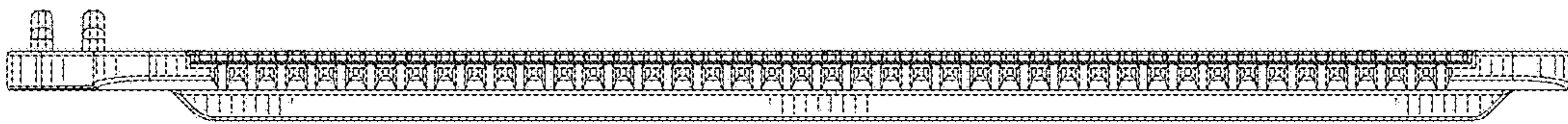


FIG. 14

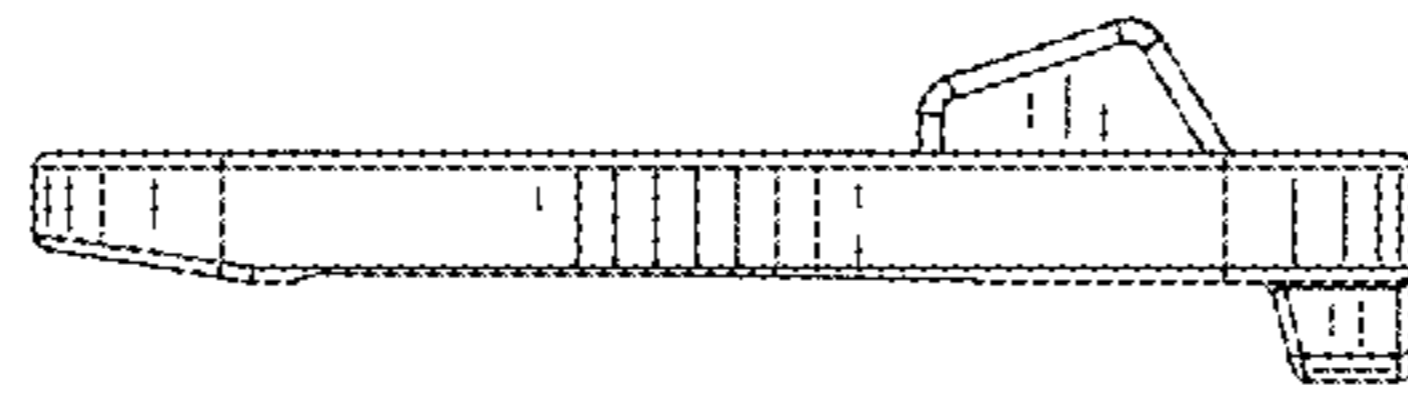


FIG. 15

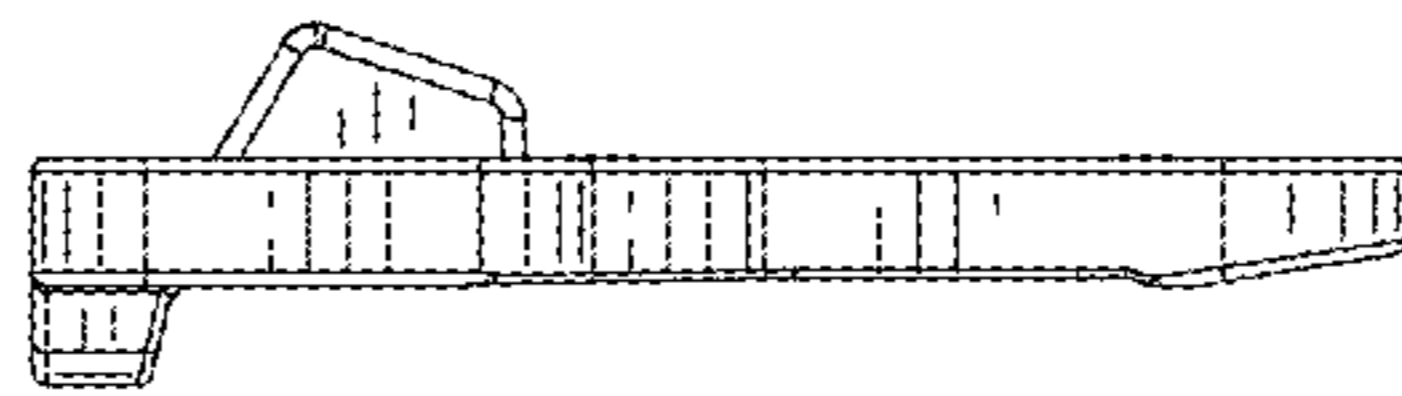


FIG. 16