



US00D826470S

(12) **United States Design Patent** (10) **Patent No.:** **US D826,470 S**
Huang et al. (45) **Date of Patent:** **** Aug. 21, 2018**

(54) **SMOKING ARTICLE**

(71) Applicant: **Cloudious9 Inc.**, Fremont, CA (US)

(72) Inventors: **Yao Tien Huang**, Fremont, CA (US);
Lianqiao Huang, Guangdong (CN)

(73) Assignee: **CLOUDIOUS9 INC.**, Fremont, CA (US)

(**) Term: **15 Years**

(21) Appl. No.: **29/602,763**

(22) Filed: **May 3, 2017**

(51) **LOC (11) Cl.** **27-02**

(52) **U.S. Cl.**
USPC **D27/167**

(58) **Field of Classification Search**
USPC D27/100, 101, 106, 108, 161, 162, 163,
D27/165, 169–172, 174, 175, 183,
D27/186–190, 193, 195, 131, 141, 142,
D27/152, 153, 160; D24/110; 131/273,
131/274, 191, 328–330; 128/202.21,
128/203.12
CPC A24F 47/002; A24F 47/004; A24F 47/006;
A24F 47/008; A61M 15/06
See application file for complete search history.

D731,112 S * 6/2015 Li D27/101
D749,261 S * 2/2016 Chen D27/162
D761,487 S * 7/2016 Han D27/162
D770,677 S * 11/2016 Van Keppel D27/141
D771,307 S * 11/2016 Wu D27/101
D785,861 S * 5/2017 Stoll D27/152
D806,943 S * 1/2018 Liu D27/101
D809,192 S * 1/2018 Liu D27/163

OTHER PUBLICATIONS

U.S. Appl. No. 29/517,489, filed Feb. 13, 2015.

* cited by examiner

Primary Examiner — Susan Bennett Hattan
Assistant Examiner — Rebecca Tsehaye
(74) *Attorney, Agent, or Firm* — Jackson IPG PLLC;
Demian K. Jackson

(57) **CLAIM**

The ornamental design for a smoking article, as shown and described.

DESCRIPTION

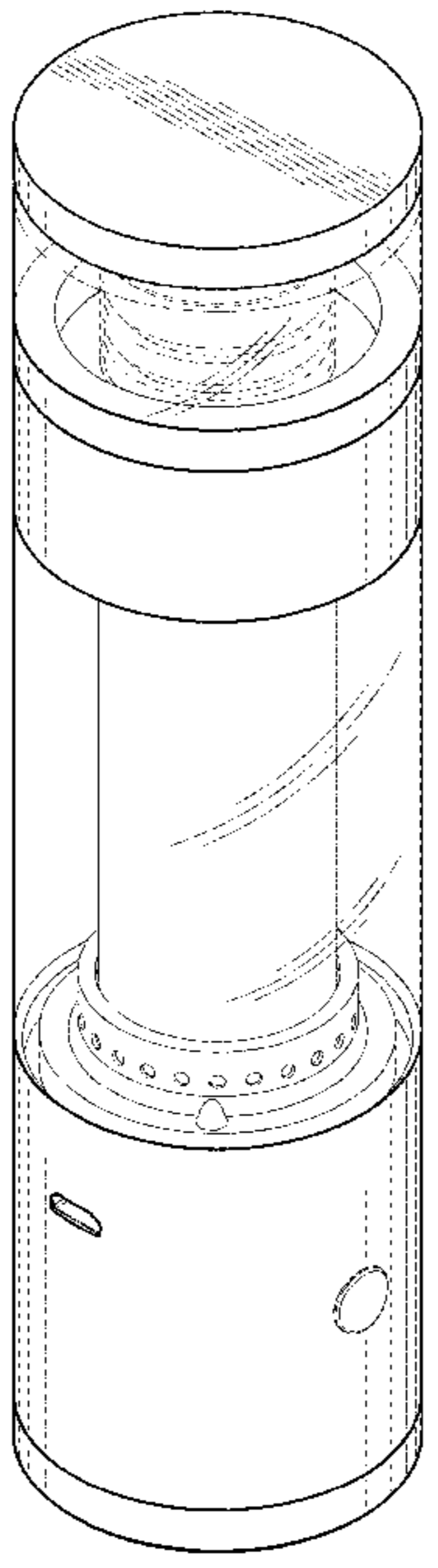
FIG. 1 is a top perspective view of a smoking article showing my new design;
FIG. 2 is a bottom perspective view thereof;
FIG. 3 is a left elevational view thereof;
FIG. 4 is a right side elevational view thereof;
FIG. 5 is a front elevational view thereof;
FIG. 6 is a rear elevational view thereof;
FIG. 7 is a top plan view thereof; and,
FIG. 8 is a bottom plan view thereof.
Those portions of the illustrated design illustrated by broken lines form no part of the claimed design.

1 Claim, 8 Drawing Sheets

(56) **References Cited**

U.S. PATENT DOCUMENTS

5,050,621 A * 9/1991 Creighton A24B 15/165
131/194
D441,495 S * 5/2001 Lin D27/154
D727,562 S * 4/2015 Li D27/101



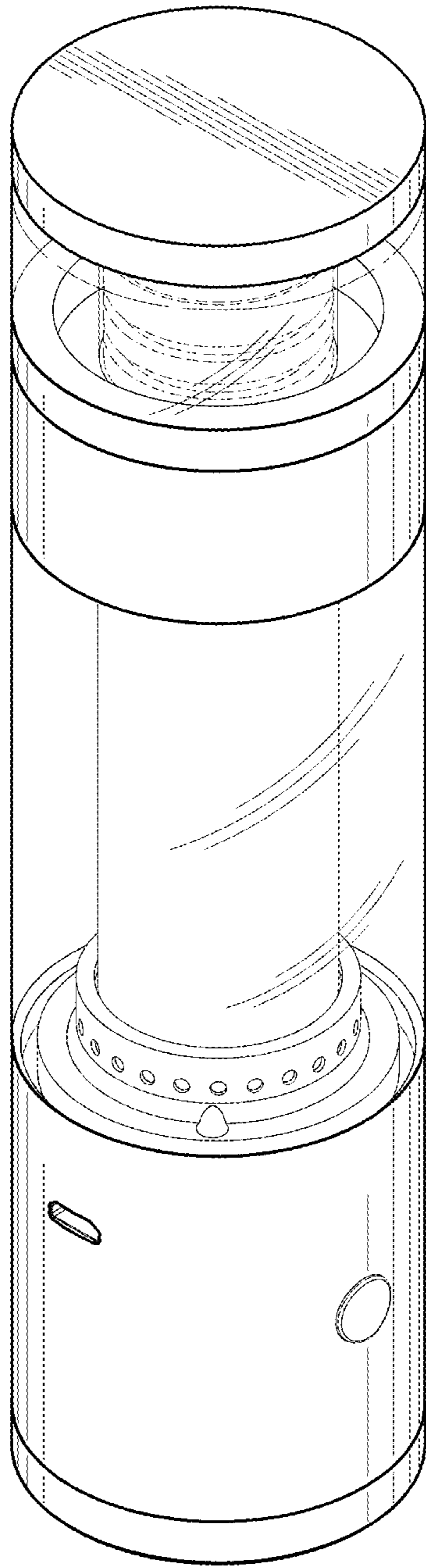


FIG. 1

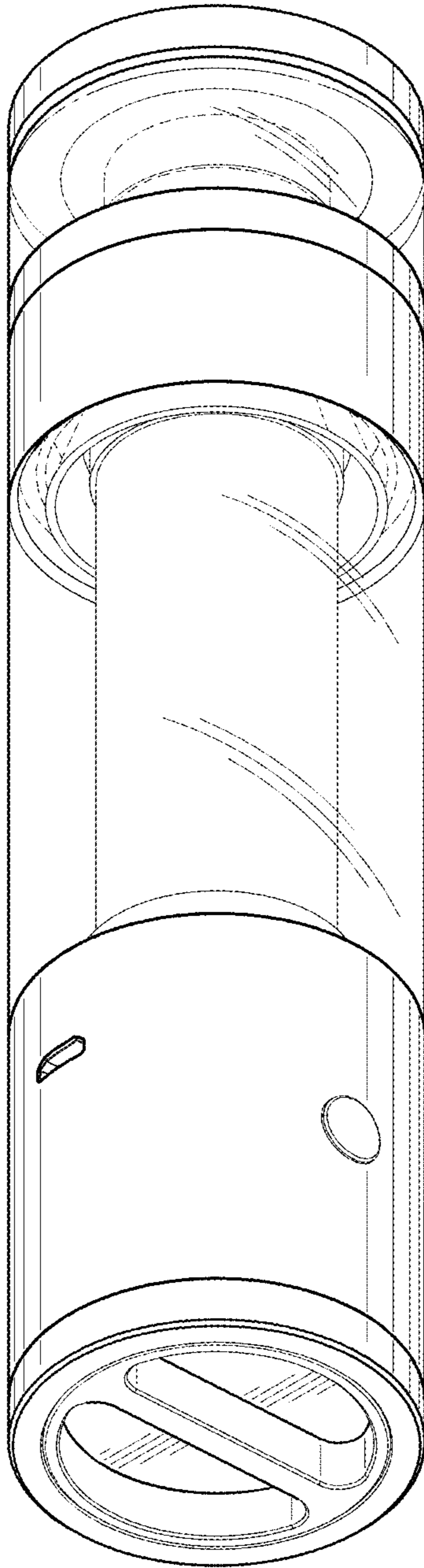


FIG. 2

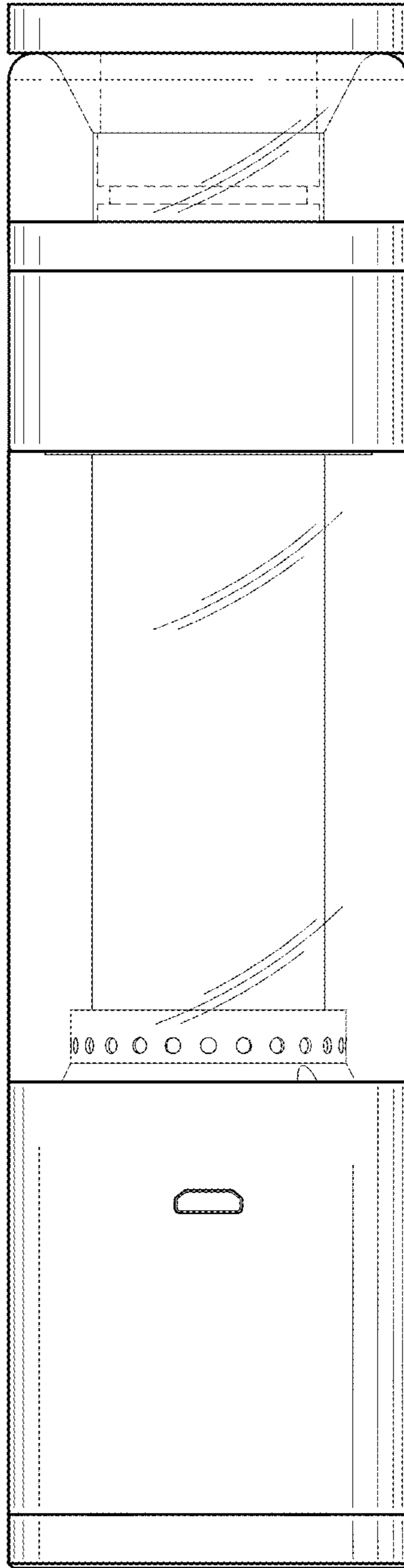


FIG. 3

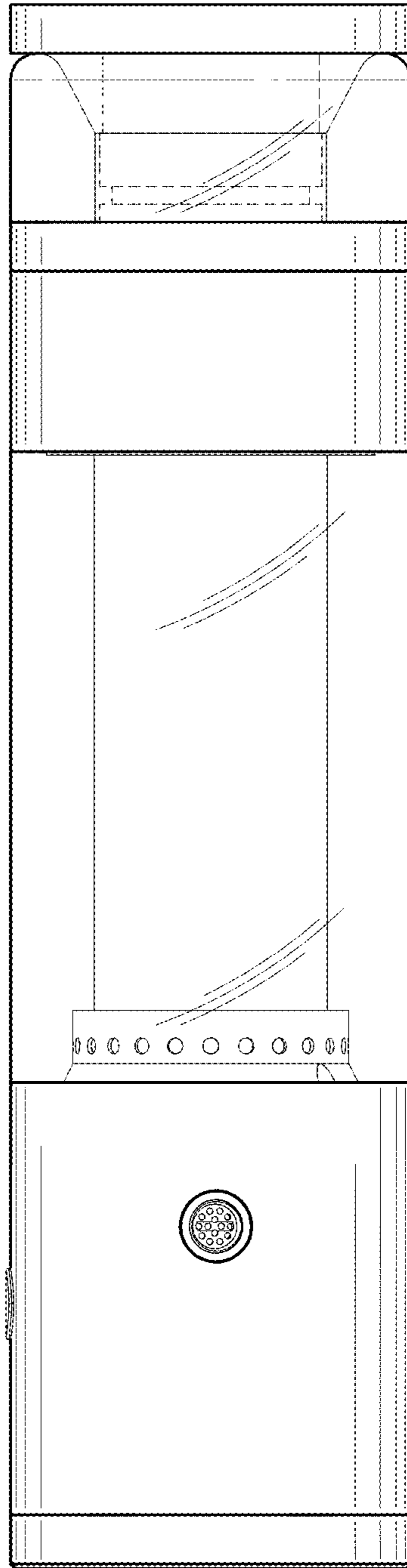


FIG. 4

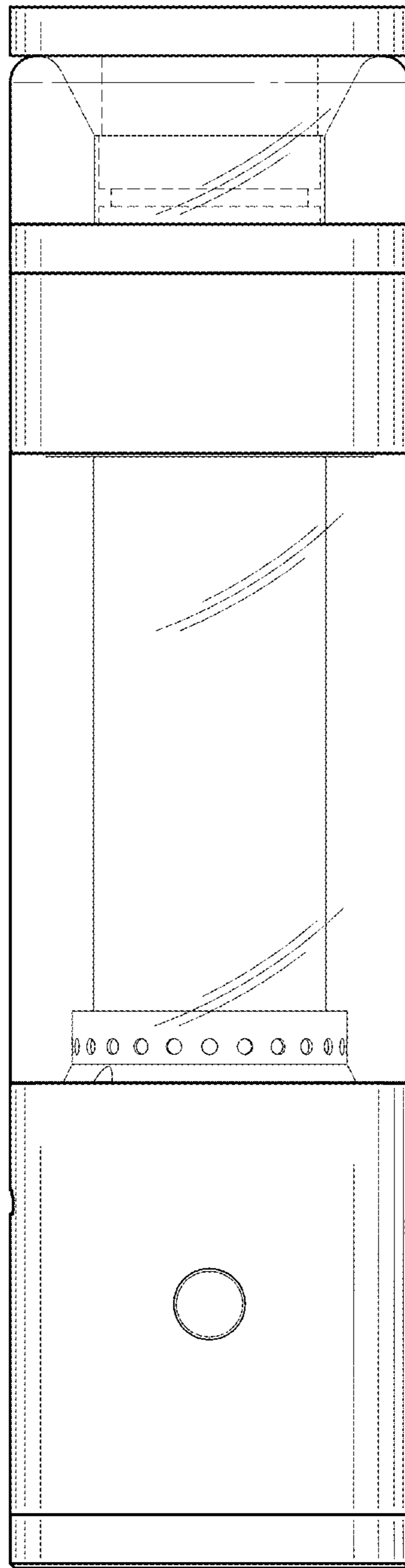


FIG. 5

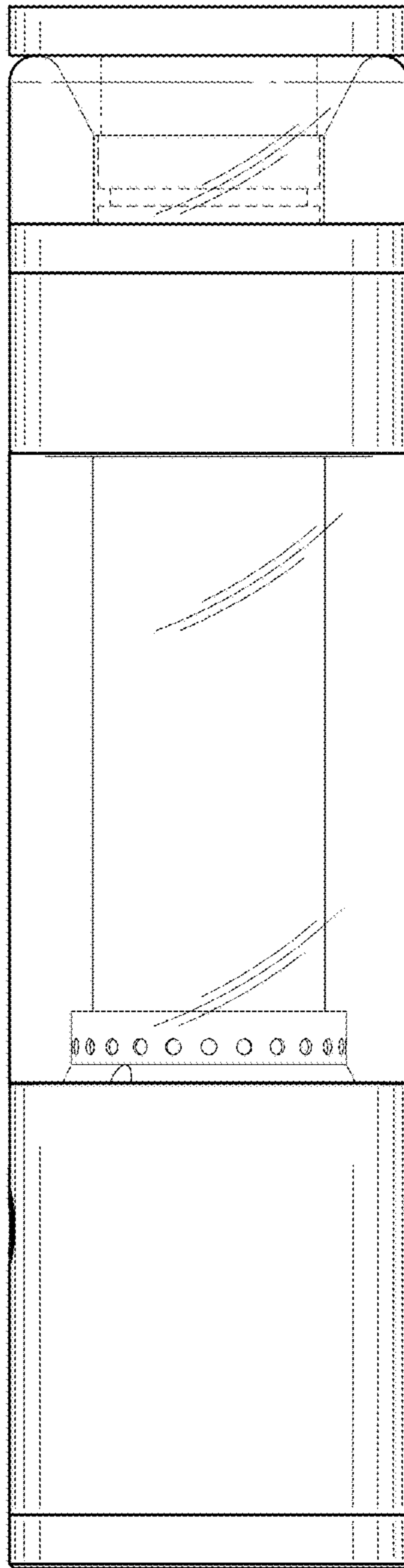


FIG. 6

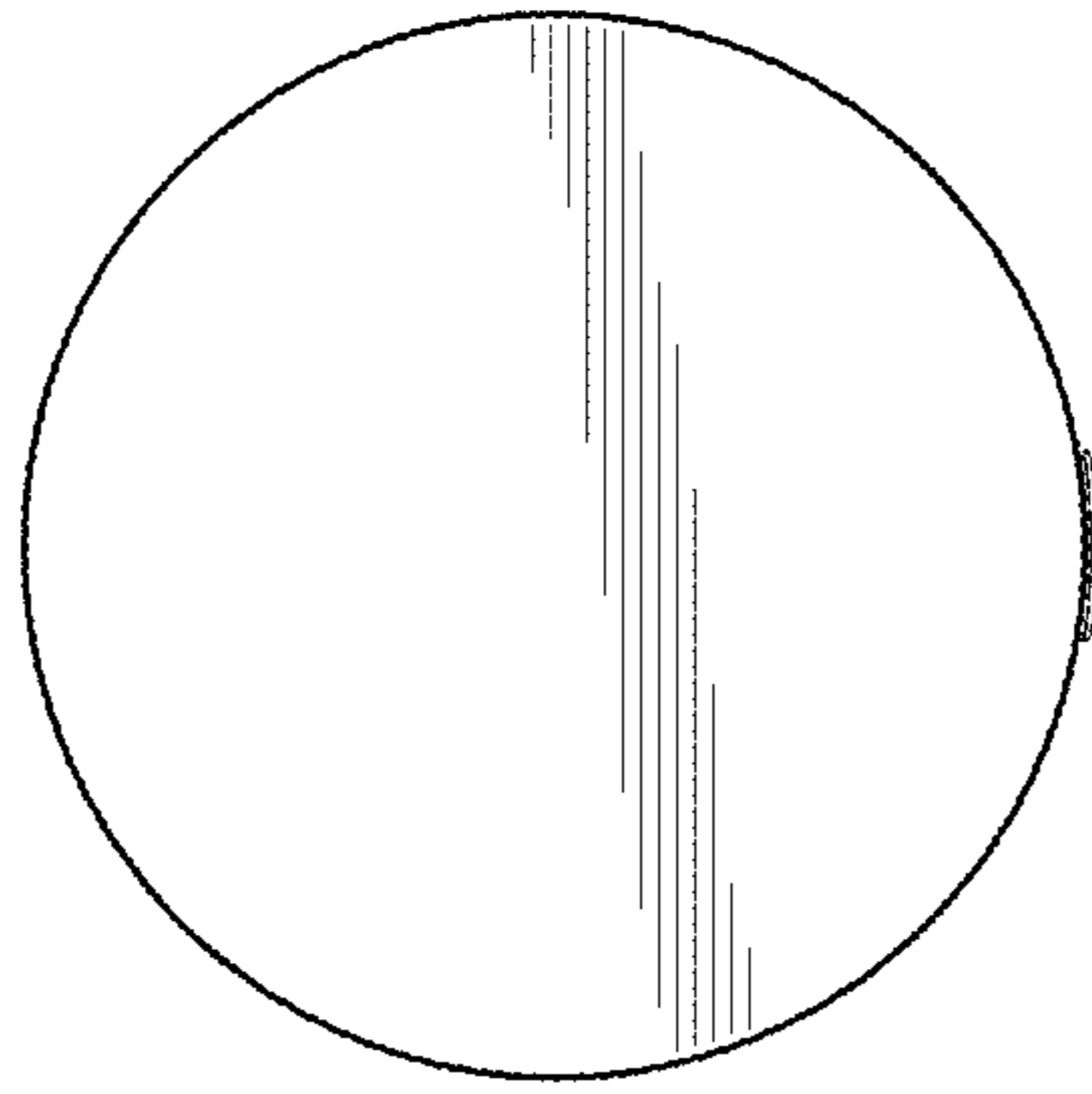


FIG. 7

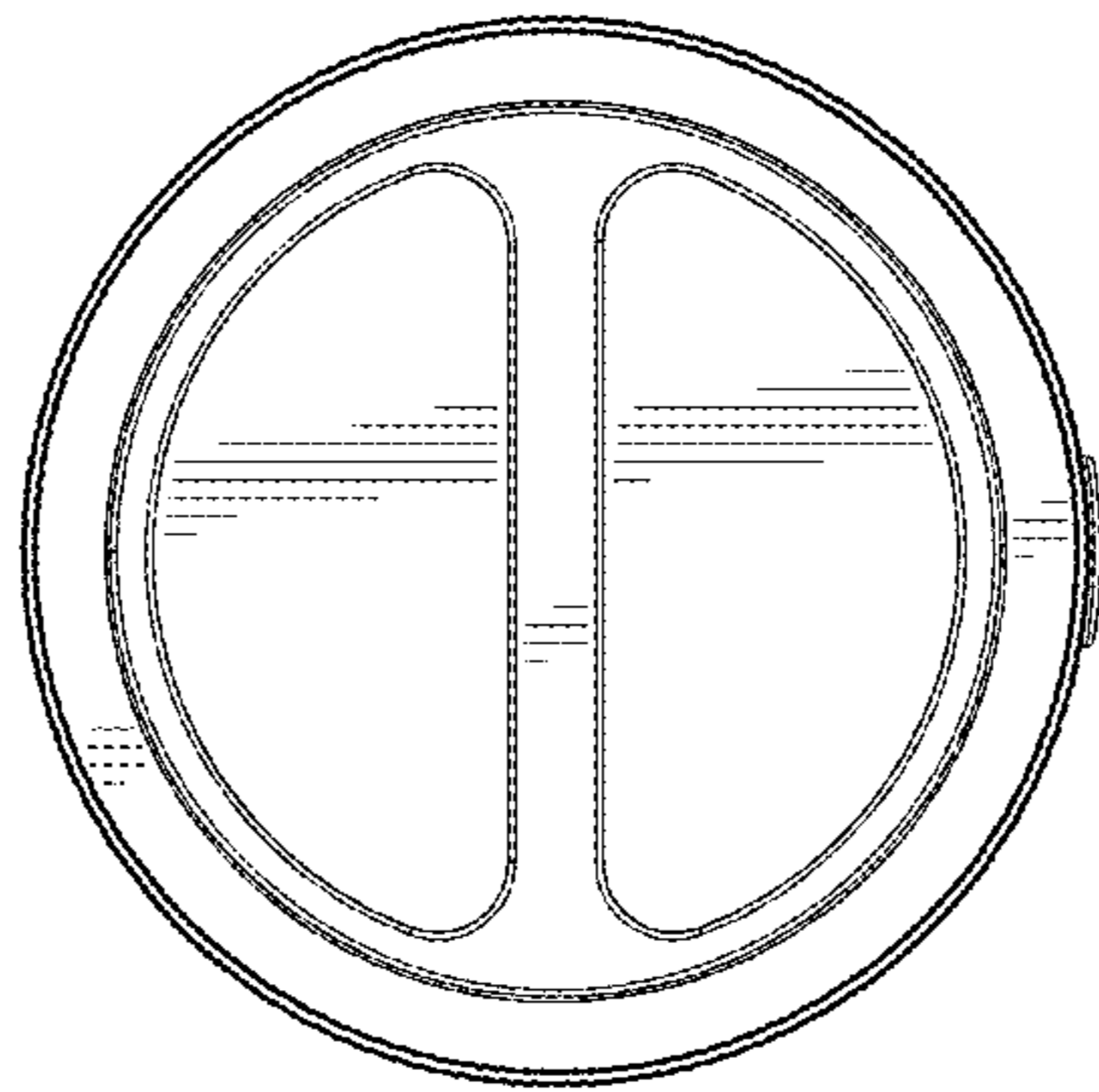


FIG. 8