



US00D826467S

(12) **United States Design Patent**
Reynolds

(10) **Patent No.:** **US D826,467 S**

(45) **Date of Patent:** **** Aug. 21, 2018**

(54) **LIGHT FIXTURE**

(71) Applicant: **IP Holdings, LLC**, Vancouver, WA
(US)

(72) Inventor: **Christopher Reynolds**, Vancouver, WA
(US)

(73) Assignee: **HGCI, Inc.**, Las Vegas, NV (US)

(**) Term: **15 Years**

(21) Appl. No.: **29/614,821**

(22) Filed: **Aug. 23, 2017**

Related U.S. Application Data

(63) Continuation of application No. 29/583,006, filed on
Nov. 1, 2016, now Pat. No. Des. 797,350.

(51) **LOC (11) Cl.** **26-05**

(52) **U.S. Cl.**
USPC **D26/118**

(58) **Field of Classification Search**
USPC ... D26/9, 10, 12, 13, 15, 16, 24, 51, 61, 72,
D26/76, 80, 81, 85, 86, 88, 90, 113, 118,
(Continued)

(56) **References Cited**

U.S. PATENT DOCUMENTS

D32,722 S 7/1861 Schmidlin
D46,253 S 8/1914 Kopp

(Continued)

FOREIGN PATENT DOCUMENTS

CA 2034710 8/1991
CA 1314529 3/1993

(Continued)

OTHER PUBLICATIONS

Apollo Horticulture GLRCTAC 6" Air Cool Tube Grow Light
Deluxe Glass Cylinder with Hood Reflector, image post date Oct.
15, 2010, site visted Oct. 3, 2014, (online), <http://www.amazon.com/apollo-horticulture-glrectac-cylinder-reflector/dp/b003qkvv04/ref=pd_sbs_lg_5?ie=utf8&refrid=1y9v9qhh4n5vnctjmfr>.

(Continued)

Primary Examiner — Brian N. Vinson

(74) *Attorney, Agent, or Firm* — J. Douglas Wells

(57) **CLAIM**

The ornamental design for a light fixture, as shown and
described.

DESCRIPTION

FIG. 1 is a perspective view of a light fixture, as viewed from
below, showing my new design;

FIG. 2 is a perspective view of the light fixture shown in
FIG. 1, as viewed from above;

FIG. 3 is a left side view of the light fixture shown in FIG.
1;

FIG. 4 is a right side view of the light fixture shown in FIG.
1;

FIG. 5 is a front elevation view of the light fixture shown in
FIG. 1;

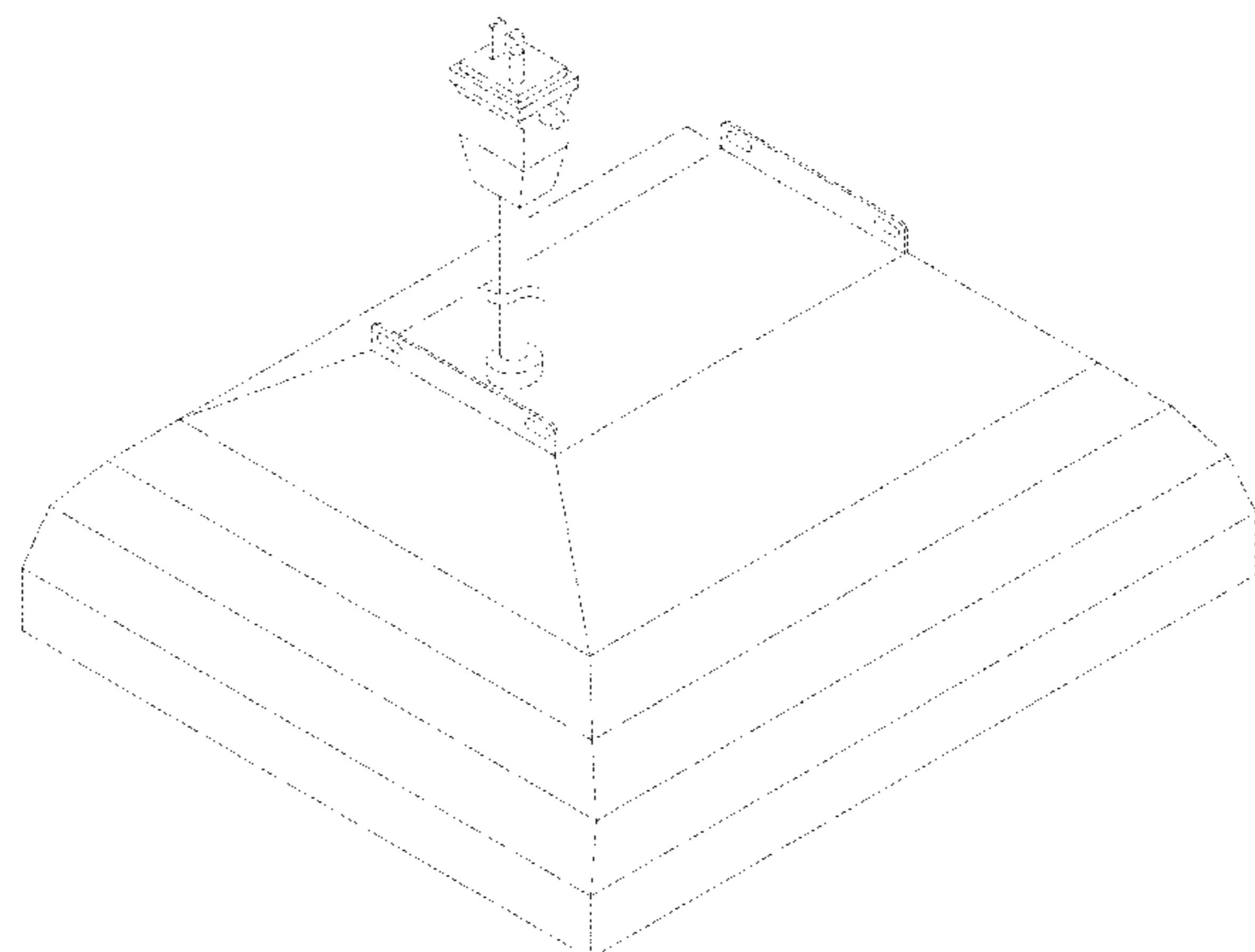
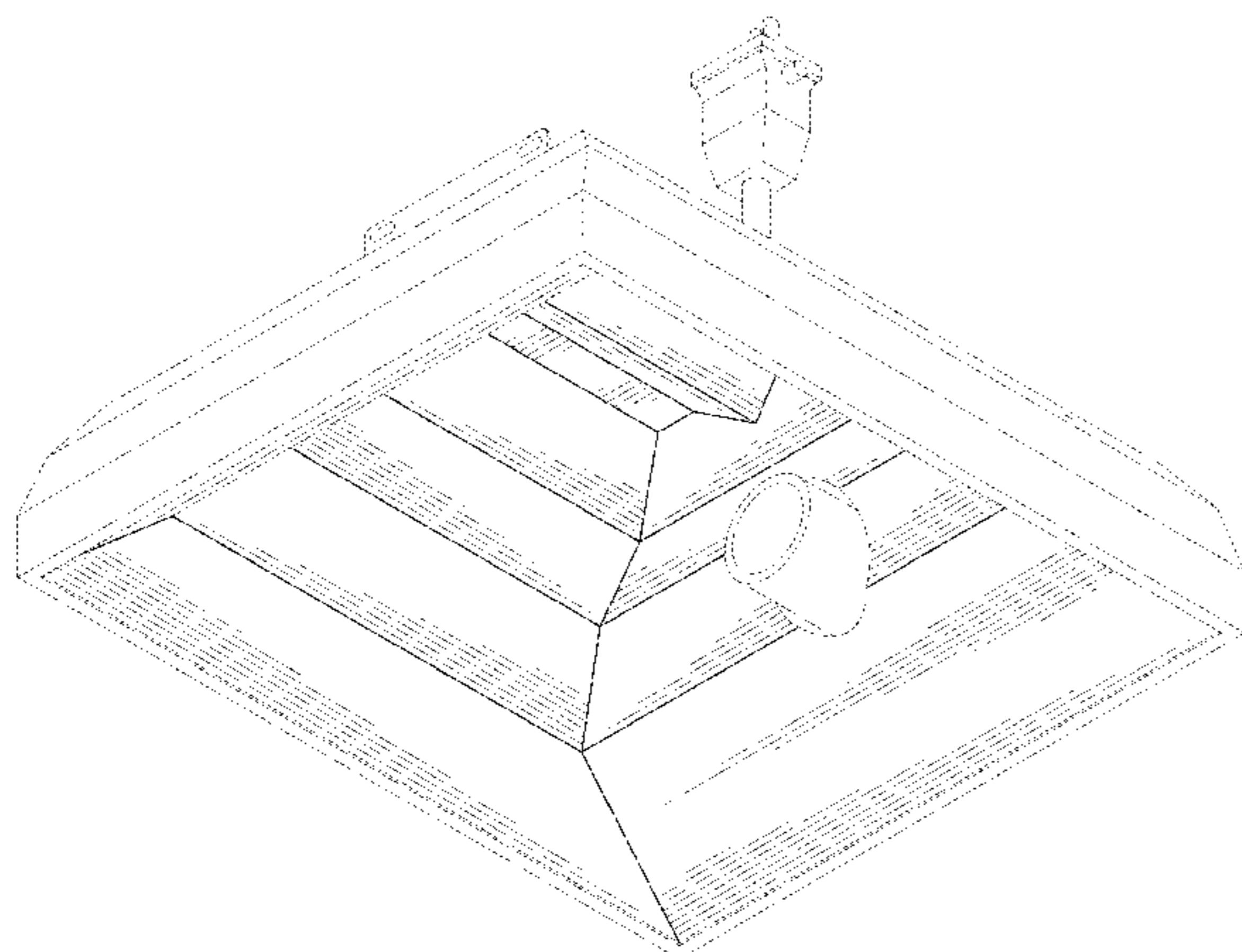
FIG. 6 is a rear elevation view of the light fixture shown in
FIG. 1;

FIG. 7 is a bottom plan view of the light fixture shown in
FIG. 1; and,

FIG. 8 is a top plan view of the light fixture shown in FIG.
1.

The broken-line disclosure shown in the views is understood
to represent portions of the article in which the claimed
design is embodied, but which forms no part of the claimed
design. Where a broken line borders a claimed surface, that
broken line is understood to represent an unclaimed bound-
ary between claimed and unclaimed portions of the article.

1 Claim, 8 Drawing Sheets



(56)

References Cited

U.S. PATENT DOCUMENTS

6,257,735 B1	7/2001	Baar	D605,342 S	12/2009	Chung	
6,267,483 B1	7/2001	Hembery	D608,490 S	1/2010	Chung	
D447,272 S	8/2001	Smith	7,641,367 B2	1/2010	Hargreaves	
6,279,012 B1	8/2001	Sexton	7,654,702 B1	2/2010	Ding	
6,299,327 B1	10/2001	Camarota	D611,183 S	3/2010	Duarte	
D452,559 S	12/2001	Schonberger	D613,900 S	4/2010	Hargreaves	
6,343,984 B1	2/2002	Langdon	D614,801 S	4/2010	Collins	
6,371,630 B1	4/2002	Unger	7,722,228 B2	5/2010	Broer	
D456,927 S	5/2002	Russello	D617,028 S	6/2010	Verfuert	
D456,928 S	5/2002	Russello	D620,190 S	7/2010	Chung	
D456,938 S	5/2002	Wardenburg	D621,993 S	8/2010	Jong	
D457,450 S	5/2002	Lamond et al.	7,771,086 B2	8/2010	Goverde	
D459,825 S	7/2002	Field	D628,335 S	11/2010	Hyland	
6,488,387 B2	12/2002	Wardenburg	7,854,534 B2	12/2010	Liu	
D469,564 S	1/2003	Brok	D632,419 S	2/2011	Ng	
6,527,422 B1	3/2003	Hutchison	D633,247 S	2/2011	Kong	
6,548,948 B1	4/2003	Muessli	D633,640 S	3/2011	Wauters	
6,595,662 B2	7/2003	Wardenburg	D634,060 S *	3/2011	Wardenburg	D26/118
6,601,972 B2	8/2003	Sei	D634,240 S	3/2011	Junkeer	
6,658,652 B1	12/2003	Alexander	D634,468 S	3/2011	Hargreaves	
6,679,619 B2	1/2004	Saieva	D634,469 S *	3/2011	Hargreaves	D26/118
D486,593 S	2/2004	Griffin	D637,162 S	5/2011	Bridgman	
6,688,759 B1	2/2004	Hadjimichael	D637,341 S	5/2011	Wardenburg	
6,709,131 B1	3/2004	Herst	D637,752 S	5/2011	Mekhtarian	
6,729,383 B1	5/2004	Cannell	D640,404 S	6/2011	Chipperfield	
6,783,263 B1	8/2004	Cronk	7,959,331 B2	6/2011	Ho	
D496,121 S	9/2004	Santoro	D641,100 S	7/2011	Li	
D499,504 S	12/2004	Meyer	7,972,044 B2	7/2011	Burkhauser	
D499,505 S	12/2004	Benensohn	D644,185 S	8/2011	Hargreaves	
D504,343 S	4/2005	Ek	7,987,632 B2	8/2011	May	
6,885,134 B2	4/2005	Kurashima	8,018,630 B2	9/2011	Herloski	
6,908,212 B2	6/2005	Schultz	8,038,318 B2	10/2011	Plunk	
7,011,424 B1	3/2006	Poulson	D648,652 S	11/2011	Hawkins	
7,083,309 B2	8/2006	Chan	D649,685 S	11/2011	Trzesniowski	
7,101,060 B2	9/2006	Oppenheimer	D650,515 S	12/2011	Bradley	
7,131,753 B1	11/2006	Edwards, Jr.	D650,935 S	12/2011	Beghelli	
7,156,539 B2	1/2007	Cronk	D653,376 S	1/2012	Kong	
7,175,309 B2	2/2007	Craw	8,113,696 B2	2/2012	Striebel	
D542,460 S	5/2007	Hargreaves	D655,403 S	3/2012	Zakula	
D543,652 S	5/2007	Hargreaves	D657,748 S	4/2012	Hargreaves	
D543,654 S	5/2007	Hargreaves	D660,252 S	5/2012	Hargreaves	
D543,655 S	5/2007	Hargreaves	D661,370 S	6/2012	Imajo	
D544,982 S	5/2007	Hargreaves	D661,833 S	6/2012	Imajo	
7,213,948 B2	5/2007	Hein	8,209,912 B2	7/2012	Hargreaves	
D544,136 S	6/2007	Hargreaves	8,215,799 B2	7/2012	Vanden Eynden	
D544,138 S	6/2007	Hargreaves	D667,584 S	9/2012	Beghelli	
D544,139 S	6/2007	Hargreaves	D668,370 S	10/2012	Guercio	
D544,626 S	6/2007	Hargreaves	D671,259 S	11/2012	Chen	
D544,980 S	6/2007	Hargreaves	D672,908 S	12/2012	Wilcox	
D544,981 S	6/2007	Hargreaves	D672,911 S	12/2012	Mayfield, III	
D544,983 S	6/2007	Hargreaves	D673,324 S	12/2012	Mayfield	
D544,984 S	6/2007	Hargreaves	8,334,640 B2	12/2012	Reed	
D544,985 S	6/2007	Hargreaves	D675,369 S	1/2013	Michaud	
D544,987 S	6/2007	Hargreaves	8,348,481 B2	1/2013	Chang	
D544,994 S	6/2007	Hargreaves	D675,772 S	2/2013	Tran	
D544,995 S	6/2007	Hargreaves	8,371,726 B2	2/2013	Collins	
D545,460 S	6/2007	Mason, II	D678,597 S	3/2013	Lehman	
D545,484 S	6/2007	Hargreaves	D678,599 S	3/2013	Boyer	
D545,485 S	6/2007	Hargreaves	D679,848 S	4/2013	Pickard	
D545,990 S	7/2007	Hargreaves	D683,064 S	5/2013	Tuck	
D545,994 S	7/2007	Hargreaves	8,505,224 B2	8/2013	Huang	
D545,996 S	7/2007	Hargreaves	D689,238 S	9/2013	Halsey	
D549,869 S	8/2007	Ward	D689,986 S	9/2013	Lord	
D553,781 S	10/2007	Pickard	D690,875 S	10/2013	McKenzie	
7,296,914 B1	11/2007	Russello	D693,959 S	11/2013	Boyer	
7,360,927 B2	4/2008	Oka	D697,663 S	1/2014	Speier	
D569,024 S	5/2008	Redfern	D698,074 S	1/2014	Hargreaves	
D572,858 S	7/2008	Santoro	D698,075 S	1/2014	Klus	
7,445,363 B2	11/2008	Vanden Eynden	D698,986 S *	2/2014	Reynolds	D26/118
7,524,090 B2	4/2009	Hargreaves	D698,987 S	2/2014	Stanley	
7,534,011 B2	5/2009	Townsley	D699,386 S	2/2014	Park	
D595,894 S	7/2009	Verfuert	D702,827 S	4/2014	Mase	
D602,625 S	10/2009	Santoro	8,702,283 B2	4/2014	Bradley, Jr.	
D603,087 S	10/2009	Mo	D705,474 S	5/2014	Philips	
7,617,057 B2	11/2009	May	D705,974 S	5/2014	Blessitt	
			8,723,086 B2	5/2014	McMahan	
			D707,385 S	6/2014	Wardenburg	
			D708,390 S	7/2014	Roos	
			D710,528 S	8/2014	Wardenburg	

(56)

References Cited

U.S. PATENT DOCUMENTS

8,801,235 B2	8/2014	Yurich	9,366,947 B2	6/2016	Miyata
D713,953 S	9/2014	Jepson	D762,320 S	7/2016	Reynolds
D714,988 S	10/2014	Park	D765,306 S *	8/2016	Wardenburg D26/118
D715,994 S	10/2014	Klus	D766,756 S	9/2016	Franc
D716,995 S	11/2014	Zhu	9,451,743 B2	9/2016	Koemer
D717,487 S	11/2014	Guzzini	D769,513 S	10/2016	Reynolds
D717,636 S	11/2014	Stanley	D769,514 S	10/2016	Reynolds
D720,488 S	12/2014	Toyohisa	D770,079 S	10/2016	Stanley
D720,505 S	12/2014	Kersten	D770,082 S	10/2016	Reynolds
8,905,575 B2	12/2014	Durkee	D770,670 S	11/2016	Reynolds
D720,876 S	1/2015	Havertield	D770,671 S	11/2016	Reynolds
D721,844 S	1/2015	Lay	D771,301 S	11/2016	Stanley
D722,654 S	2/2015	Martone	D771,304 S	11/2016	Goltche
D725,820 S	3/2015	Hargreaves	D773,107 S	11/2016	Stanley
8,967,821 B2	3/2015	Pickard	D774,234 S	12/2016	Plourde
D726,359 S	4/2015	Grigore	D775,406 S	12/2016	Hargreaves
8,998,473 B1	4/2015	Anderson	D775,760 S	1/2017	Reynolds
9,016,892 B1	4/2015	Soribante	9,551,482 B2	1/2017	Seward
9,016,907 B2	4/2015	Stanley	D780,985 S	3/2017	Stanley
D728,848 S	5/2015	Reyes	D780,986 S	3/2017	Reynolds
D729,435 S	5/2015	Amdt	D781,492 S	3/2017	Reynolds
D730,556 S	5/2015	Toyohisa	D783,887 S	4/2017	Stanley
D725,819 S	6/2015	Reynolds	D783,888 S	4/2017	Reynolds
D731,103 S	6/2015	Wilke	D786,477 S	5/2017	Lauderdale
D731,109 S	6/2015	Wardenburg	D786,488 S	5/2017	Reynolds
D731,701 S	6/2015	Hargreaves	D786,489 S	5/2017	Stanley
D732,233 S	6/2015	Reynolds	D786,490 S	5/2017	Stanley
D732,234 S	6/2015	Rashidi Doust	D786,491 S	5/2017	Reynolds
D732,235 S	6/2015	Reynolds	D792,635 S	7/2017	Reynolds
D732,236 S	6/2015	Reynolds	D793,616 S	8/2017	Reynolds
D733,347 S	6/2015	Dungan	D796,727 S	9/2017	Reynolds
9,052,075 B2	6/2015	Demuynck	D796,728 S	9/2017	Reynolds
D733,952 S	7/2015	Lay	D797,350 S	9/2017	Reynolds
D733,960 S	7/2015	Howe	D797,353 S	9/2017	Stanley
D734,534 S	7/2015	Howe	9,750,199 B2	9/2017	Stanley
D735,391 S	7/2015	Blessitt	9,752,766 B2	9/2017	Stanley
D735,401 S	7/2015	Clements	D802,826 S	11/2017	Stanley
D736,450 S *	8/2015	Reynolds D26/118	D802,828 S	11/2017	Stanley
D737,498 S	8/2015	Stanley	D802,829 S	11/2017	Stanley
9,110,209 B2	8/2015	Blessitt	D802,830 S	11/2017	Stanley
D738,031 S	9/2015	Martins	2002/0073285 A1	6/2002	Butterworth
D739,595 S	9/2015	Reynolds	2002/0141195 A1	10/2002	Wardenburg
9,127,826 B2	9/2015	Boyer	2003/0031011 A1	2/2003	Miller
D740,486 S	10/2015	Reynolds	2003/0191783 A1	10/2003	Wolczko
D740,996 S	10/2015	Tragatschnig	2004/0240214 A1	12/2004	Whitlow
D745,993 S	12/2015	Reynolds	2005/0117333 A1	6/2005	Yoshida
D747,029 S *	1/2016	Reynolds D26/118	2005/0160481 A1	7/2005	Todd
D747,538 S	1/2016	Reynolds	2005/0233691 A1	10/2005	Horton
D747,825 S	1/2016	Reynolds	2006/0231081 A1	10/2006	Kirakosyan
D747,849 S	1/2016	Reynolds	2006/0232984 A1	10/2006	Schuknecht
D747,923 S	1/2016	Cornu	2006/0282457 A1	12/2006	Williams
D748,319 S	1/2016	Johnson	2007/0051321 A1	3/2007	Chang
D748,320 S	1/2016	Johnson	2007/0070633 A1	3/2007	Eynden
D748,847 S	1/2016	Johnson	2007/0228993 A1	10/2007	Stuer
D748,850 S	1/2016	Johnson	2007/0246631 A1	10/2007	Brown
D748,849 S *	2/2016	Stanley D26/118	2007/0282806 A1	12/2007	Hoffman
D749,773 S	2/2016	Waible	2008/0059799 A1	3/2008	Scarлата
D750,312 S	2/2016	Reynolds	2008/0117617 A1	5/2008	Hargreaves
D750,313 S	2/2016	Reynolds	2008/0130304 A1	6/2008	Rash
D750,316 S	2/2016	Reynolds	2008/0205030 A1	8/2008	Hargreaves
9,255,690 B2	2/2016	Dimitriadis	2008/0205071 A1	8/2008	Townsley
D750,831 S	3/2016	Clements	2008/0212326 A1	9/2008	Chon
D751,244 S	3/2016	Reynolds	2008/0178957 A1	11/2008	Pickard
D751,245 S *	3/2016	Stanley D26/118	2008/0278950 A1	11/2008	Pickard
D751,247 S	3/2016	Reynolds	2009/0166250 A1	5/2009	Hargreaves
9,279,553 B1	3/2016	Scribante	2009/0231840 A1	9/2009	Boehme
D753,654 S	4/2016	Eastwood	2009/0262540 A1	10/2009	Hargreaves
9,310,037 B2	4/2016	Cercone	2009/0276478 A1	11/2009	Soman
D756,016 S	5/2016	Hargreaves	2009/0310373 A1	12/2009	Burkhauser
D756,023 S	5/2016	Hoffer	2009/0316404 A1	12/2009	Mo
D756,026 S	5/2016	Reynolds	2009/0323335 A1	12/2009	Yang
D757,323 S	5/2016	Reynolds	2010/0214789 A1	8/2010	Hawkes
D757,326 S	5/2016	Reynolds	2010/0238661 A1	9/2010	Pfund
D757,346 S *	5/2016	Stanley D26/118	2010/0277908 A1	11/2010	Hu
9,335,038 B2	5/2016	Stanley	2010/0277929 A1	11/2010	Hargreaves
			2010/0295468 A1	11/2010	Pedersen
			2010/0302768 A1	12/2010	Collins
			2011/0169412 A1	7/2011	Yurich
			2011/0203096 A1	8/2011	Hargreaves

(56)

References Cited

U.S. PATENT DOCUMENTS

2011/0259665	A1	10/2011	Morgan
2012/0051041	A1	3/2012	Edmond
2012/0092859	A1	4/2012	Gregoris
2012/0145699	A1	6/2012	McMahan
2012/0212883	A1	8/2012	Hargreaves
2012/0230035	A1	9/2012	Bradley, Jr.
2012/0302768	A1	11/2012	Collins
2013/0083539	A1	1/2013	Dimitriadis
2013/0077329	A1	3/2013	Hessling
2013/0155685	A1	6/2013	Stanley
2013/0242573	A1	9/2013	Petrsocki
2013/0250567	A1	9/2013	Edmond
2014/0378283	A1	12/2014	Qiu
2015/0023022	A1	1/2015	Stanley
2015/0098215	A1	4/2015	Torabifard
2015/0252992	A1	9/2015	Stanley
2015/0252993	A1	9/2015	Stanley
2015/0252994	A1	9/2015	Stanley
2015/0260381	A1	9/2015	Verfuerrth
2017/0211801	A1	7/2017	Stanley

FOREIGN PATENT DOCUMENTS

EP	D325003	7/1989
EP	D440274	8/1991
WO	2002063210	8/2002
WO	2003060379	7/2003
WO	2008018000	2/2008
WO	2009096775	8/2009
WO	2011119451	9/2011

OTHER PUBLICATIONS

Apollo Horticulture GLRLS24 6" Air Cooled Hydroponic Grow Light Glass Reflector Hood, image post date Oct. 15, 2010, site visited Oct. 3, 2014, (online), <http://www.amazon.com/apollo-horticulture-GLRLS24-hydroponic-reflector/dp/B00BMVK8HG/ref=cm_cd_ql_qh_dp_i>.

Adjustable Reflector, image post date Apr. 23, 2012, site visited Sep. 23, 2015, http://web.archive.org/web/2012043260757/http://hydroponics-products.en.alibaba.com/product/519225678-213056444/adjustable_reflector_grow_light_hydroponics_greenhouse_horticulture_reflector_hood.html.

Agrotech Magnum Reflector, image post date Feb. 5, 2012, site visited Oct. 31, 2014, www.hydroponics.net/136580.

Cree CR22, image post date Apr. 28, 2011, site visited Nov. 15, 2014, <http://ledsmagazine.com/content/dam/leds/migrated/objects/news/8/4/19/cree204272011.pg>.

ZR series High Efficacy Troffer, image post date Apr. 13, 2012, site visited Oct. 31, 2014, www.cree.com/lighting/products.

Grow Lights Home Depot: Find many types of grow lights for your plant, published Dec. 22, 2012, online. Site visited Jun. 25, 2014. [Http://besthomedecorfurniture.com/gardening-d%C3%A9cor/grow-lights-home-depot-few-things-to-consider-when-buying-grow-lighting-plants-online.html](http://besthomedecorfurniture.com/gardening-d%C3%A9cor/grow-lights-home-depot-few-things-to-consider-when-buying-grow-lighting-plants-online.html).

LED Grow Light Comparison Test Review, Youtube.com, published Jun. 29, 2012, online. Site visited Jun. 25, 2014. www.youtube.com/watch?v=f-8oy0qbgrs.

Illuminator Pro-Series Hybrid 350W, wordpress.com, published Dec. 22, 2010, online, site visited Jun. 25, 2014. <http://growsetup.wordpress.com/category/grow-lights/>.

California Lightworks New SolarStorm 440W LED Grow Light with UVB, hydrobuilder.com, online. Site visited May 25, 2014. http://hydrobuilder.com/solarstorm-440w-led-grow-light-with-uvb.html?dzid=strands_CLW-SS-440.

2013 Sunlight Supply Cataog, Issuu.com, published Aug. 1, 2013, online. Site visited Feb. 2, 2015. http://issuu.com/sunlightsupply/docs/2013_sunlightproductcatalog/49.

Pages 29 and 54 from 2014-2015 dealer catalog showing and describing Super Sun DE reflector published by Sunlight Supply, Inc. 2014.

Dominator XXXL Non AC Reflector pack of 3 Spec Sheet, GreenTreesHydroponics.com, date available Mar. 12, 2014, online. Site visited Feb. 3, 2015, <https://www.hydroponics.net/i/141477>.

Low Rider Air-Cooled Reflector—TinEye, image post date Oct. 11, 2012, site visited Oct. 1, 2015, www.tineye.com/search/1b0e187c5ed9e4e9cfb55d0472271385a2c0e88/?pluginver.

OG Air Cooled Parabolic Reflector Only—Make the Most of Your Grow Light, GroWell Hydroponics, <http://www.growell.com.uk/og-air-cooled-parabolic-reflector-only.html>, pp. 1-2, accessed Aug. 26, 2014.

Air Resistance: Distinguishing Between Laminar and Turbulent Flow, www.docstoc.com, Dec. 29, 2010, p. 1-6.

Sun Systems LEC 630 Light Emitting Ceramic Fixture, Spec Sheet for 906217—Sun System LEC 630 120 Volt w/3100 K Lamps, www.sunlightsupply.com/shop/bycategory/led-lighting/sun-system-lec-630-light-emitting-ceramic-fixture, online, updated Feb. 9, 2015. Site visited Mar. 30, 2015, p. 1.

Mohri, Mineko, International Preliminary Report on Patentability for PCT/US2014/014959, dated Jan. 19, 2016.

A3V Reflector, Titaness Light Shop, www.titanesslightshop.com/products-page/reflectors/a3v-reflector, online. Site visited Jan. 14, 2015.

G2V Grow Light Reflector, Titaness Light Shop, www.titanesslightshop.com/products-page/reflectors/g2v-grow-light-reflector, online. Site visited Jan. 14, 2015.

1000 Watt Galaxy Grow Amp Double Ended Grow Light Packages, image post date Jan. 30, 2014, site visited Jul. 8, 2016, <<http://www.ehydroponics.com/100-watt-galaxy-grow-amp-double-ended-grow-light-package.html>>.

2009-10-watt-light-set—TinEye, image post date May 23, 2012, site visited Jul. 8, 2016, <<https://www.tineye.com/search/2de39cf51ff7a031139a80ce555e2f30d0abd5216/>>.

Square 10 Watt LED Grow Light, image post date Aug. 1, 2011, site visited Jul. 8, 2016, <<http://www.dhgate.com/store/product/hydroponic-vegetable-10-wattled-grow-light/216755031.html>>.

Sun System 630 Ceramic Metal Halide 120v Specifications, GrowersHouse.com, update on Sep. 9, 2014, online. Site visited Feb. 3, 2015. <http://growershouse.com/aitdownloadablefiles/download/aitfile/aitfile_id/583/>.

Growlite HDE 600W-1000W Double Ended Lamp Concealed Vacuum Airflow Technology, Indoor Grow Science, site visited Aug. 3, 2016, <<http://www.indoorgrowscience.net/downloads/specs/hde.pdf>>.

Sun Systems LEC 315—Reviews?, rollitup.com forum, published Oct. 23, 2013, online. Visited Nov. 8, 2016. <<http://rollitup.org/t/sun-sytems-lec-315-reviews.742794>>.

Sun System LEC 315 120v Light Emitting Ceramic Metal Halide Fixture w/ Free Ratchet Light Hangers, Amazon.com, earliest review of Jul. 2, 2014, online. Visited Nov. 8, 2016 <<https://www.amazon.com/sun-system-emitting-ceramic-fixture/dp/B00HBCV8TM>>.

LEC 315 Watt Grow Light Great Yield Reports!, YouTube.com, published Mar. 31, 2014, online. Visited Nov. 8, 2016. (<<https://www.youtube.com/watch?v=QqcoW19KnUk>>).

Air Cooled Grow Lights, greensteamhydroponics.com, published May 24, 2014, online. Site visited Nov. 16, 2016. <http://web.archive.org/web/20140524103407/http://www.greensteamhydroponics.com/aircooled-reflector-range-from-greenstream-hydroponics/prod_699.html>.

AplusChoice-Hydroponics, image post date Dec. 2, 2014, site visited Jul. 13, 2017, (online), <https://www.tineye.com/search/6589596c8738268de70acceca20d64855d0f1d2/?sort=crawal_date&order=asc>.

iPower 600 wat HPS MH Grow Light Digital Dimm System Indoor Garden Set, image post date 2013, site visited Jul. 13, 2017, (online), <https://bidjapon.com/item_View.aspx?itemId=150928769289>.

* cited by examiner

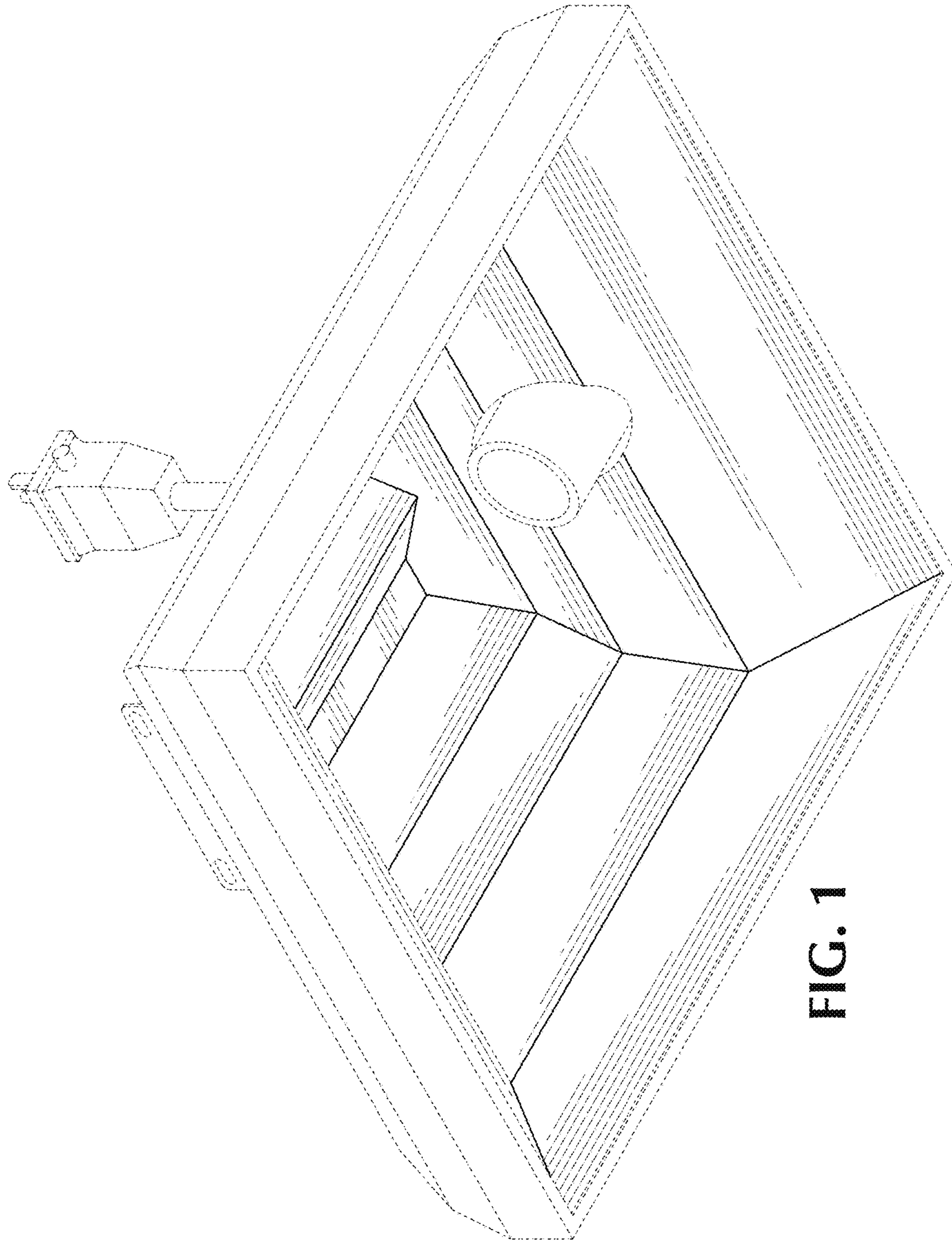


FIG. 1

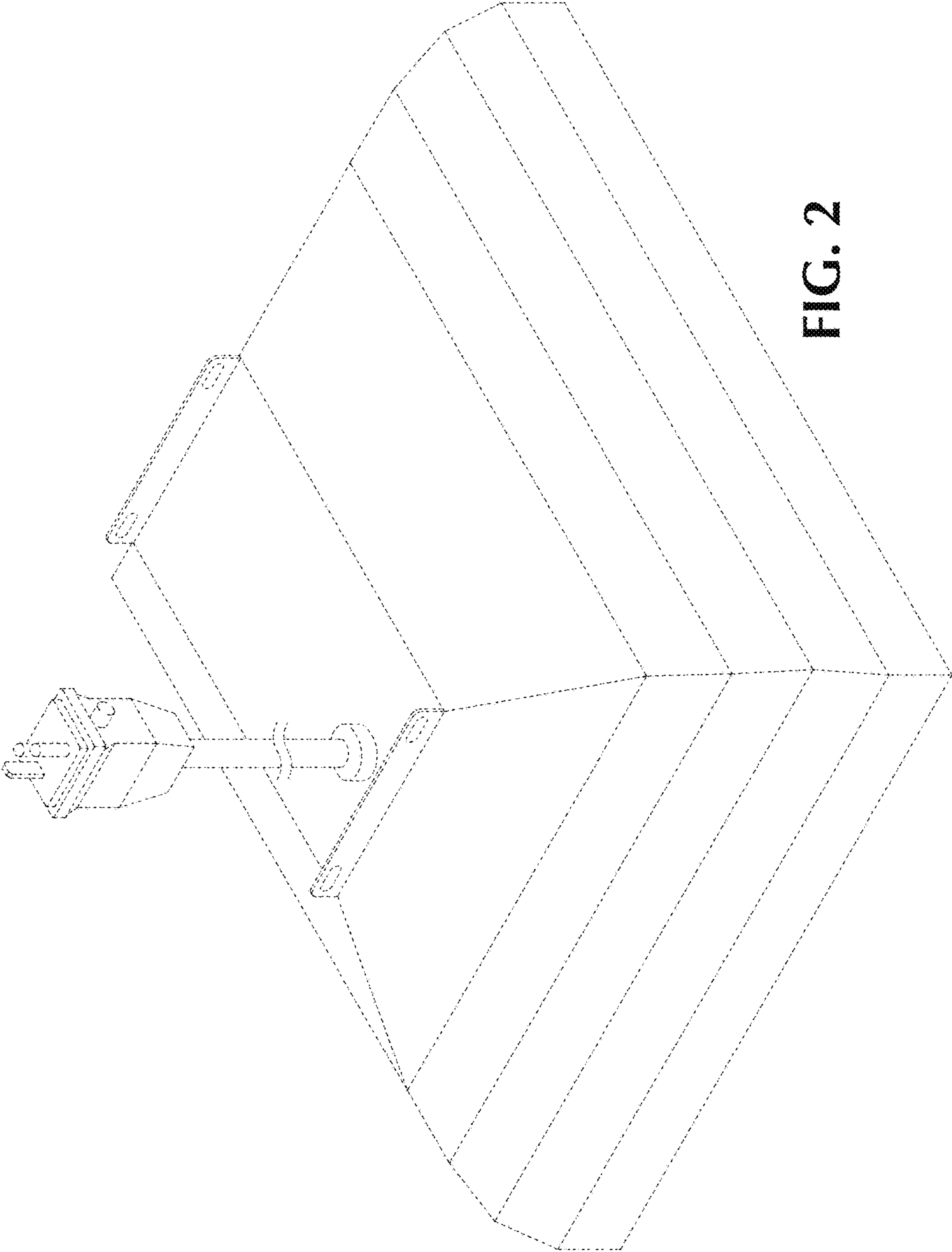


FIG. 2

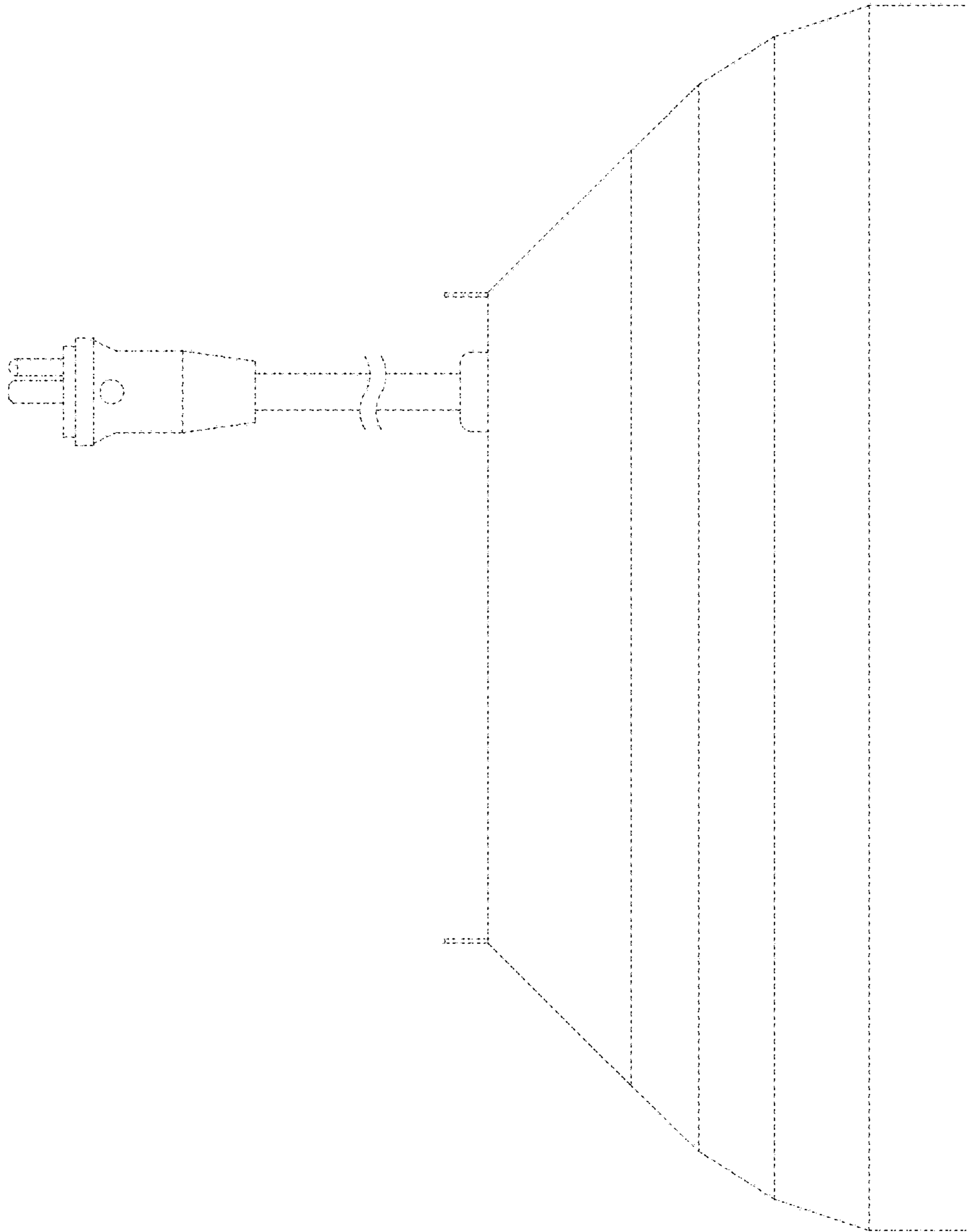


FIG. 3

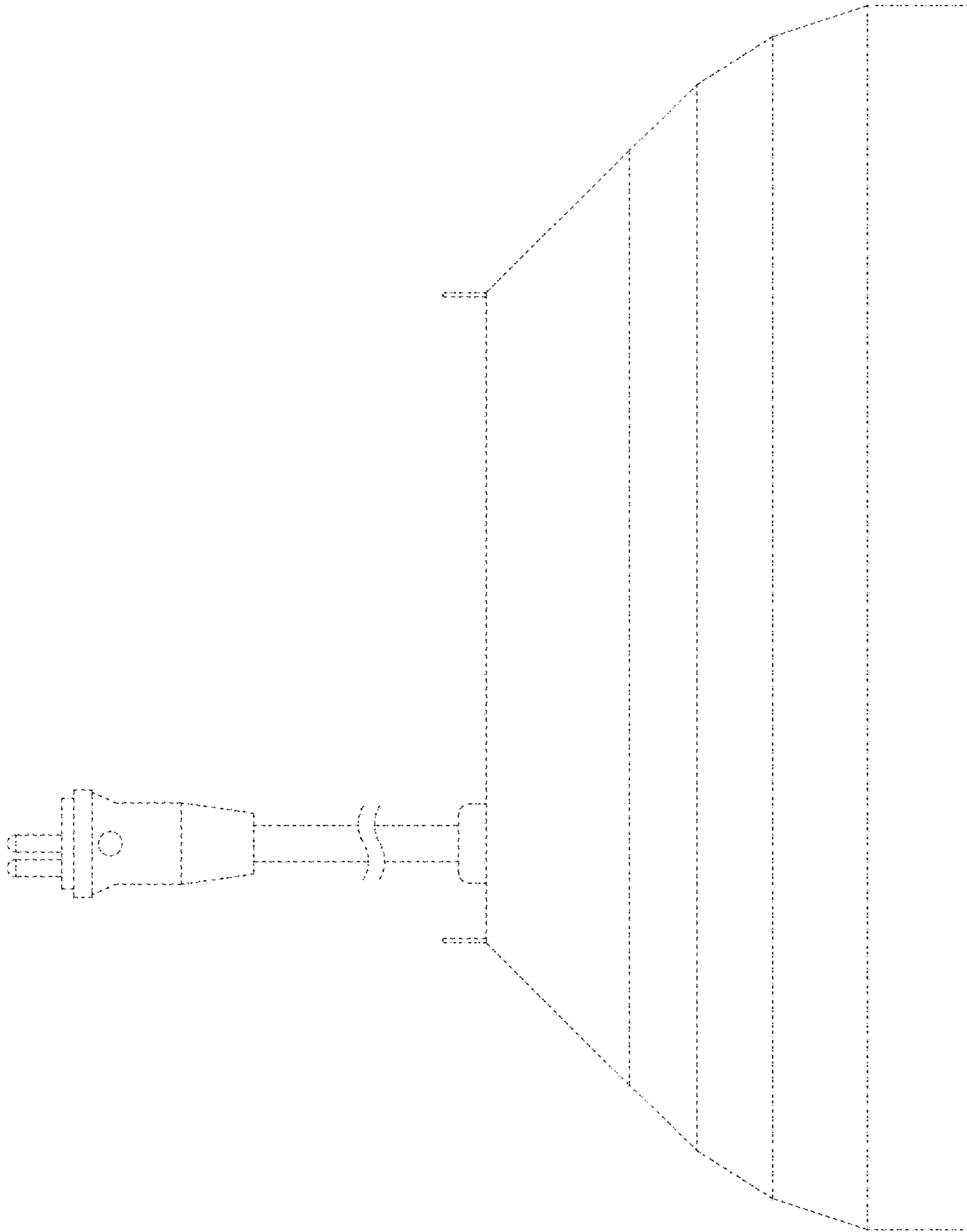


FIG. 4

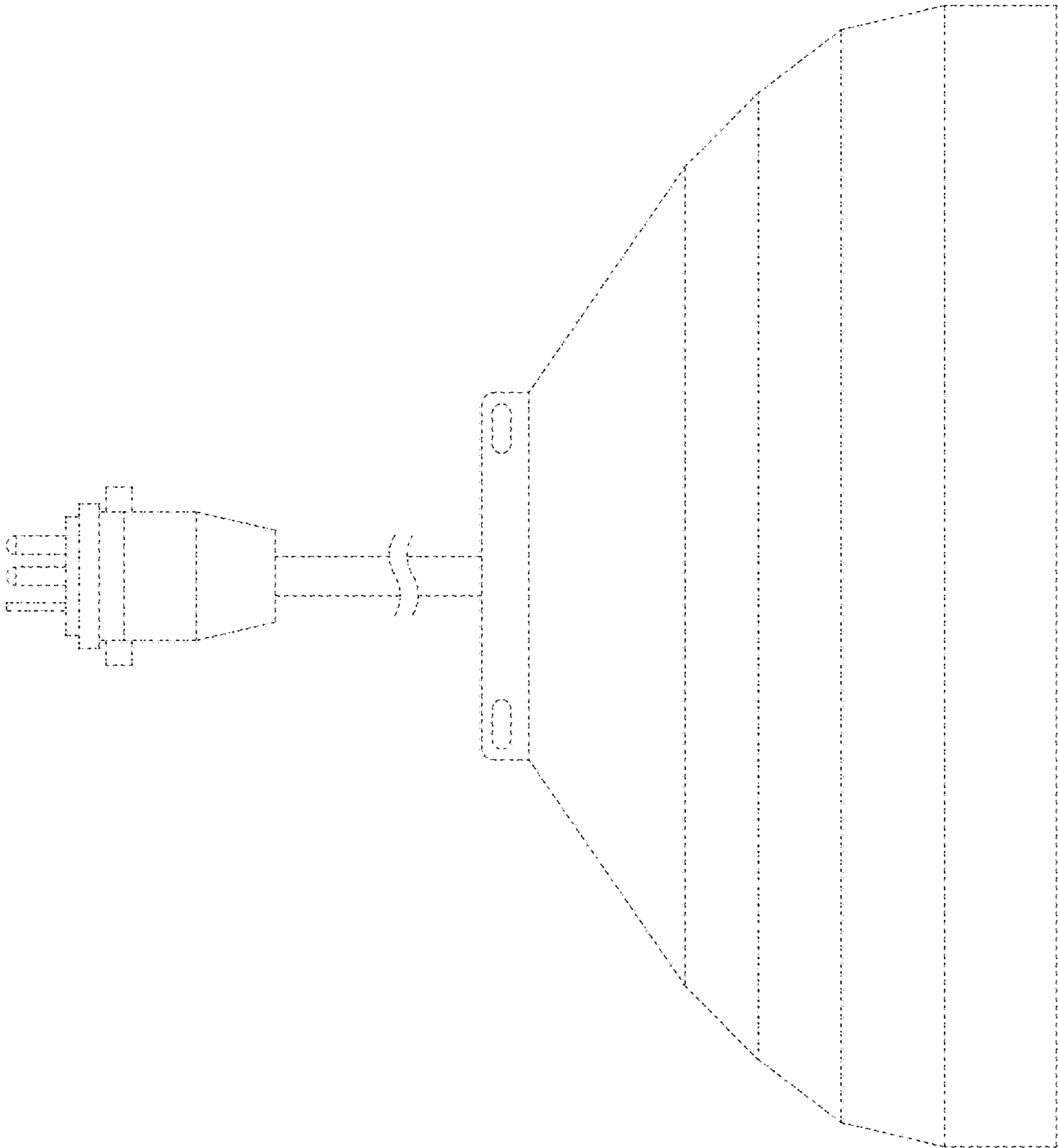


FIG. 5

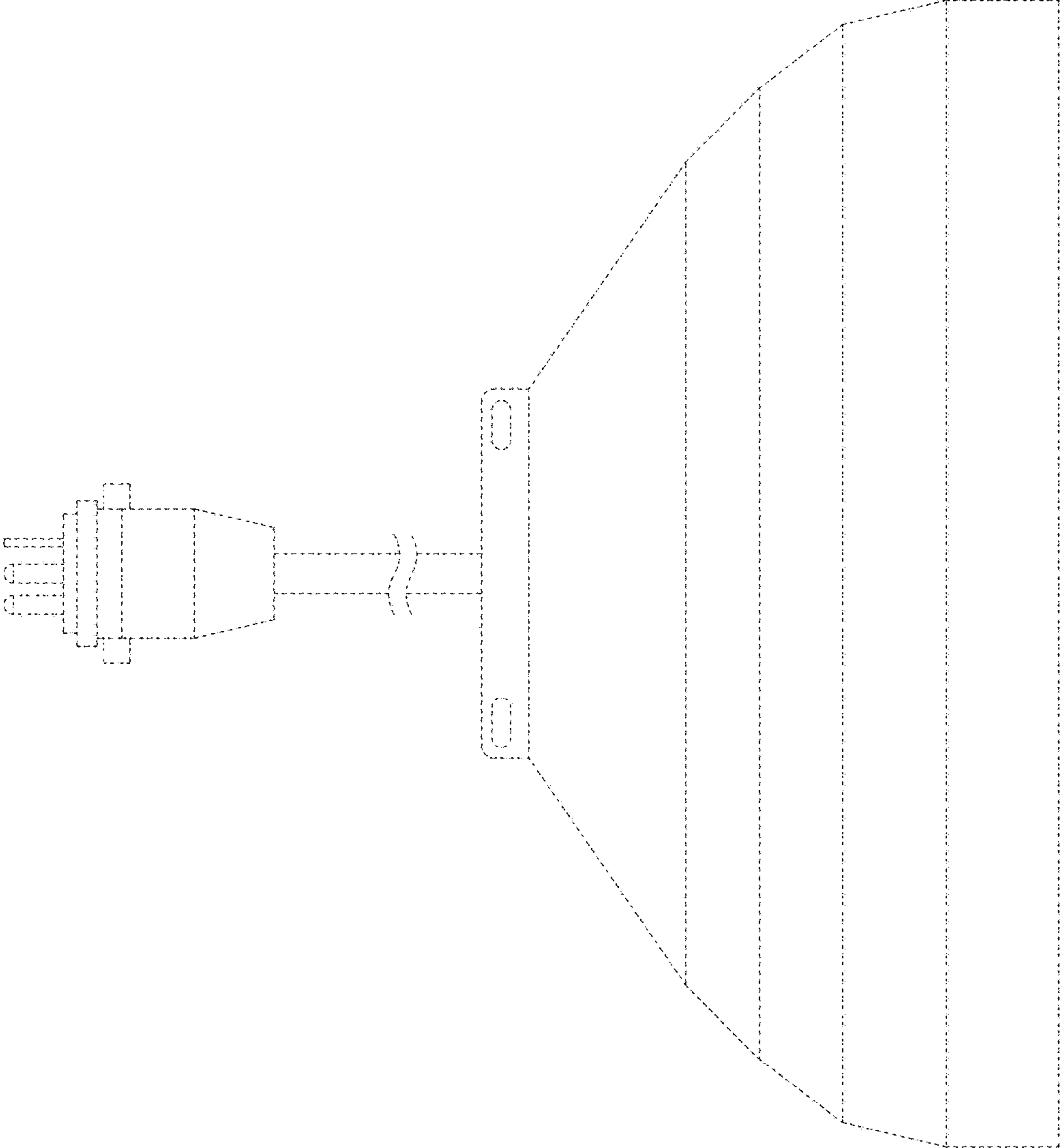


FIG. 6

FIG. 7

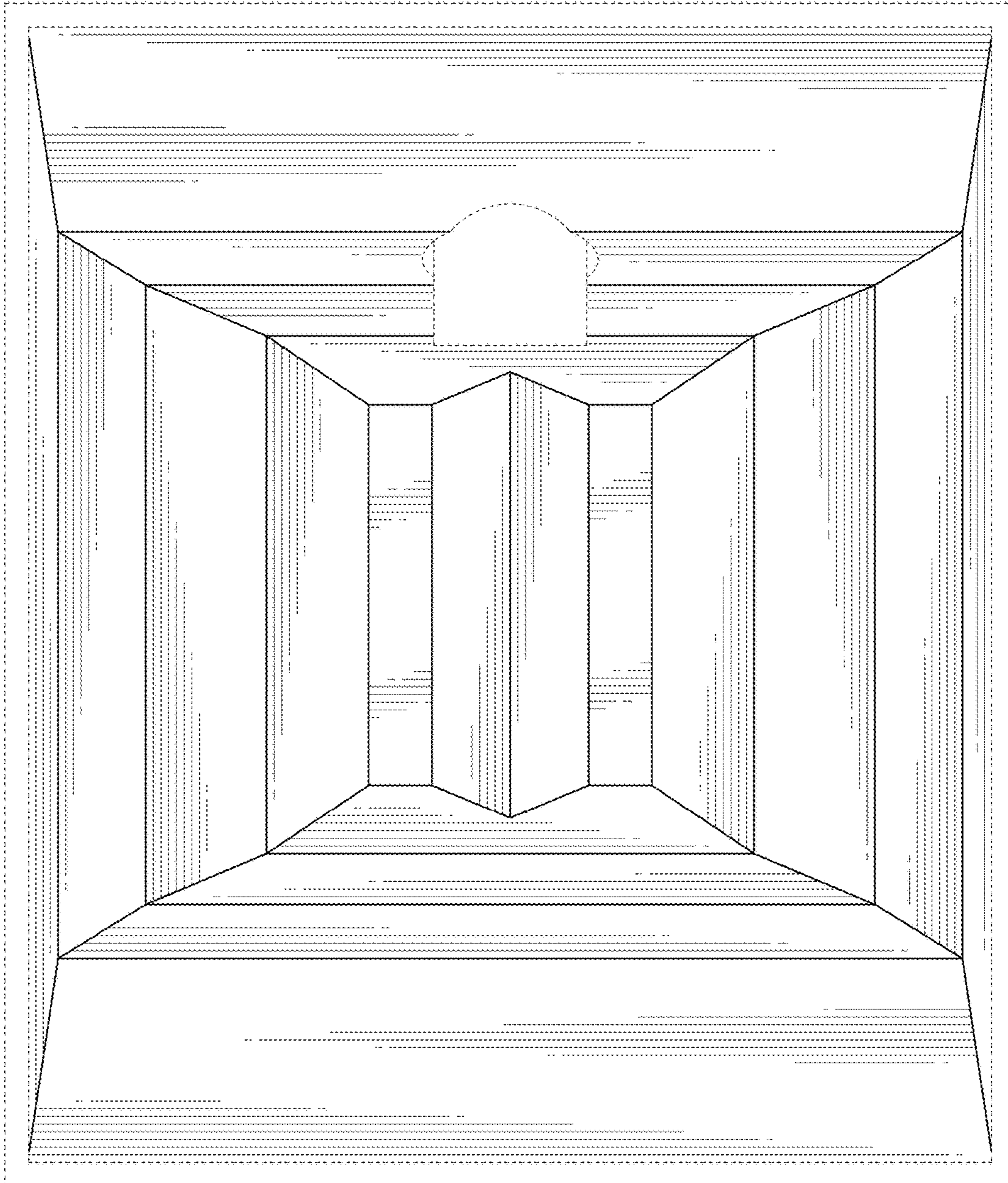


FIG. 8

