



US00D826465S

(12) **United States Design Patent**
Knuepfel et al.

(10) **Patent No.:** **US D826,465 S**

(45) **Date of Patent:** **** Aug. 21, 2018**

- (54) **PORTABLE LIGHT HOUSING**
- (71) Applicant: **BioLite LLC**, Brooklyn, NY (US)
- (72) Inventors: **Michael Knuepfel**, San Francisco, CA (US); **Anton Olof Ljunggren**, New York, NY (US); **Jonathan N. Cedar**, Brooklyn, NY (US)
- (73) Assignee: **BioLite LLC**, Brooklyn, NY (US)
- (**) Term: **15 Years**
- (21) Appl. No.: **29/590,303**
- (22) Filed: **Jan. 9, 2017**
- (51) **LOC (11) Cl.** **26-99**
- (52) **U.S. Cl.**
USPC **D26/118**
- (58) **Field of Classification Search**
USPC D26/1, 24, 61, 63, 65, 85, 93, 118
CPC F21V 21/14; F21V 15/01; F21V 14/02;
F21V 21/30; F21V 21/00; F21V 14/00;
F21V 21/06; F21S 8/00; F21S 8/003;
F21S 8/043; F21Y 2105/001
See application file for complete search history.

D624,682 S *	9/2010	Ying	D26/63
D634,039 S *	3/2011	Lee	D26/24
D666,345 S *	8/2012	Wang	D26/63
D710,527 S *	8/2014	Brown	D26/63
D742,572 S *	11/2015	Khayat	D26/63
D761,471 S *	7/2016	Hoffmann	D26/63
D774,683 S *	12/2016	Wang	D26/93
D781,480 S *	3/2017	Zhan	D26/63

* cited by examiner

Primary Examiner — Brian N. Vinson

(74) *Attorney, Agent, or Firm* — Loginov & Associates;
William A. Loginov

(57) **CLAIM**

The ornamental design for a portable light housing, as shown and described.

DESCRIPTION

FIG. 1 is a perspective view of a portable light housing showing our new design;
 FIG. 2 is a front elevational view thereof;
 FIG. 3 is a rear elevational view thereof;
 FIG. 4 is a right side elevational view thereof;
 FIG. 5 is a left side elevational view thereof;
 FIG. 6 is a top plan view thereof; and,
 FIG. 7 is a bottom plan view thereof.

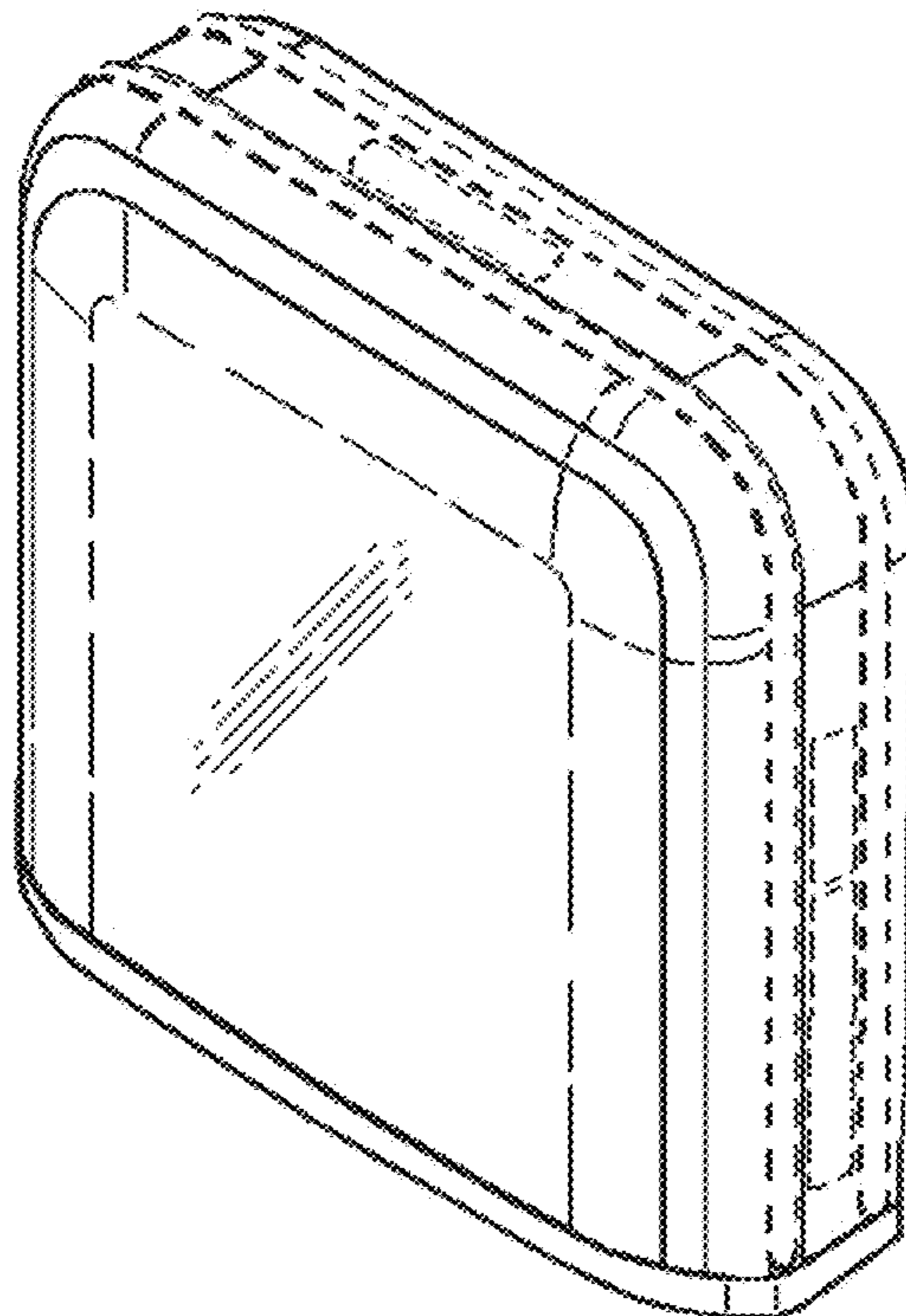
The broken line disclosure represents portions of the housing which form no part of the claimed design.

1 Claim, 2 Drawing Sheets

(56) **References Cited**

U.S. PATENT DOCUMENTS

D375,376 S *	11/1996	Shen	D26/63
D595,875 S *	7/2009	Irvine	D26/24



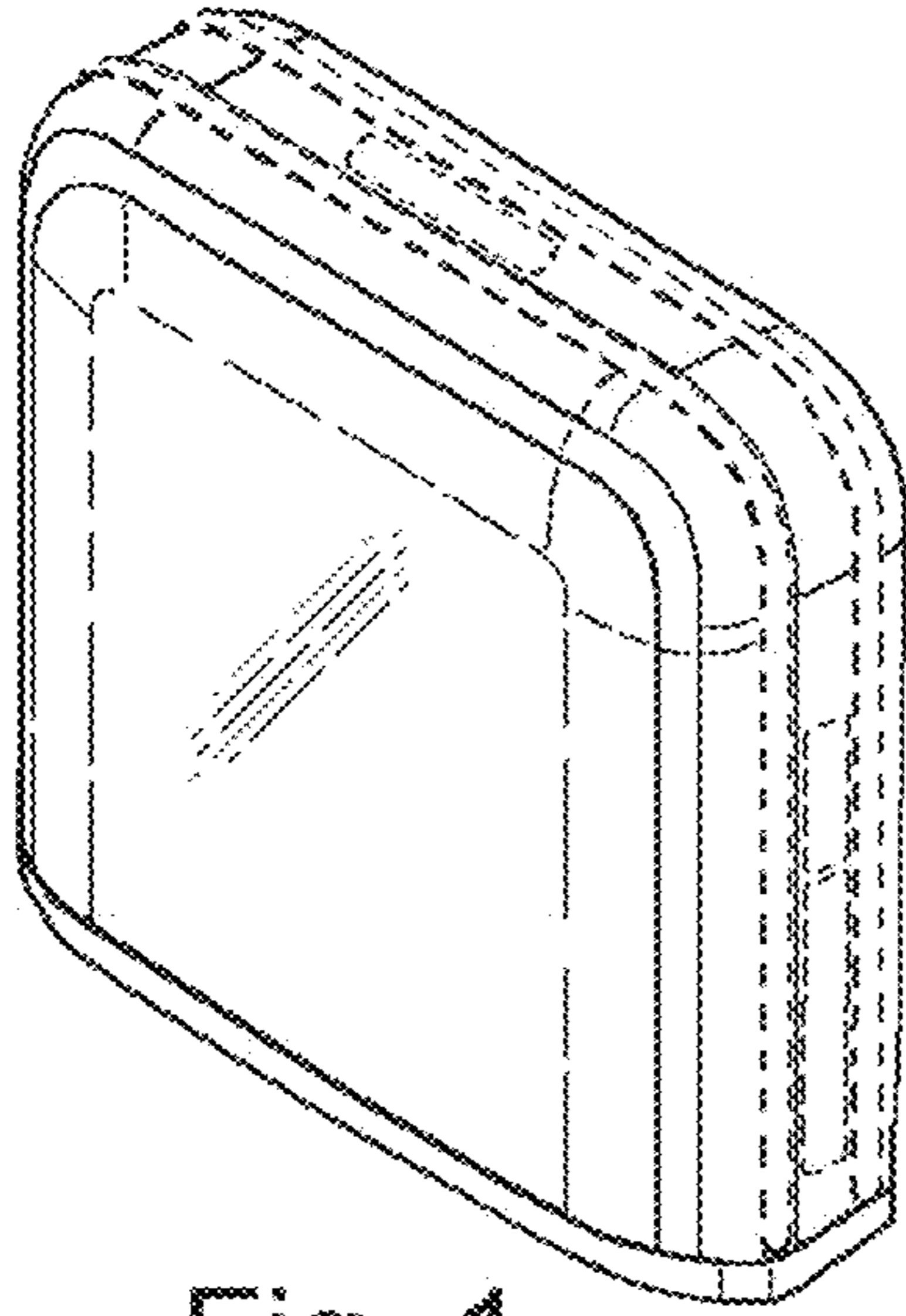


Fig. 1

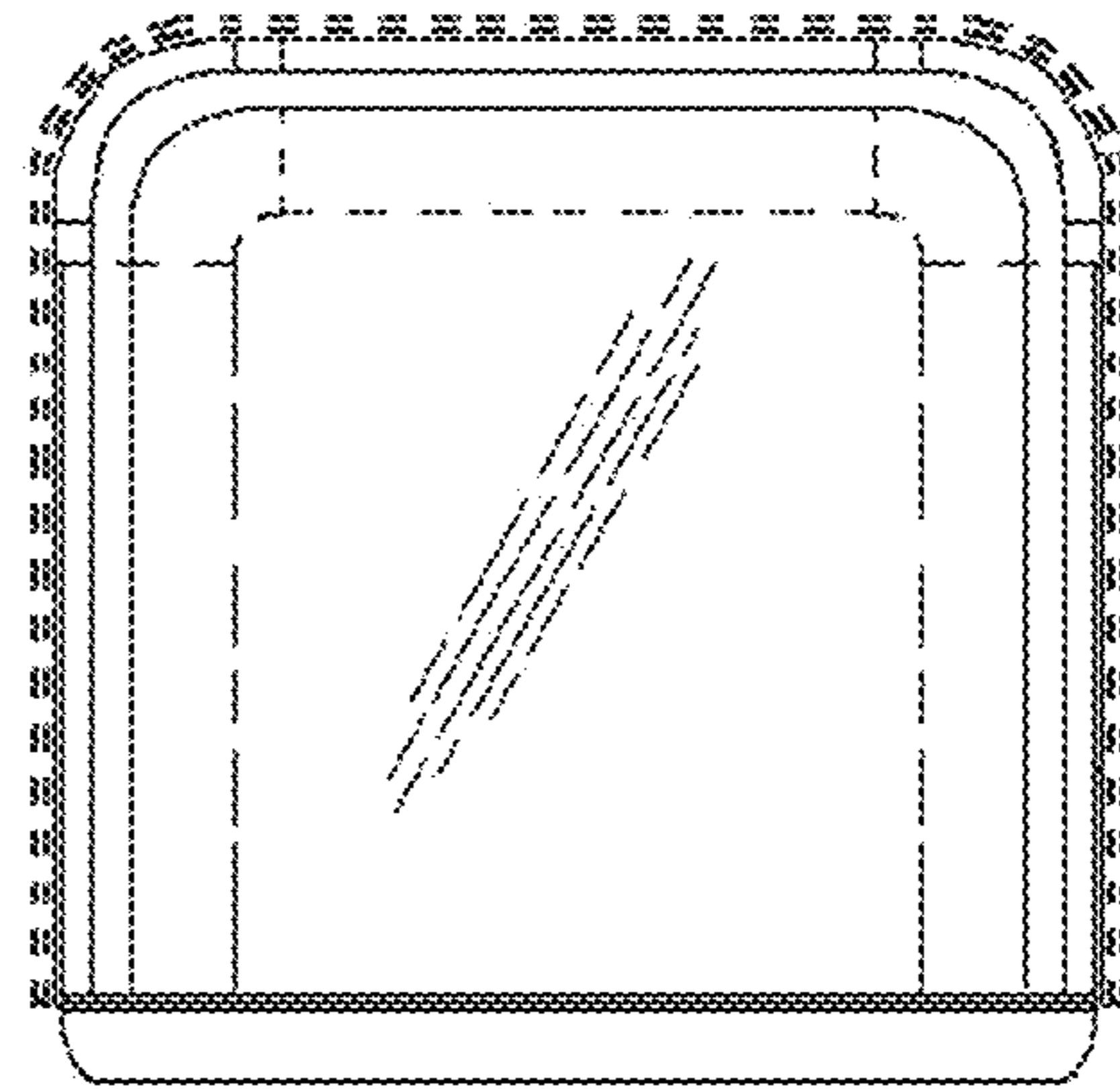


Fig. 2

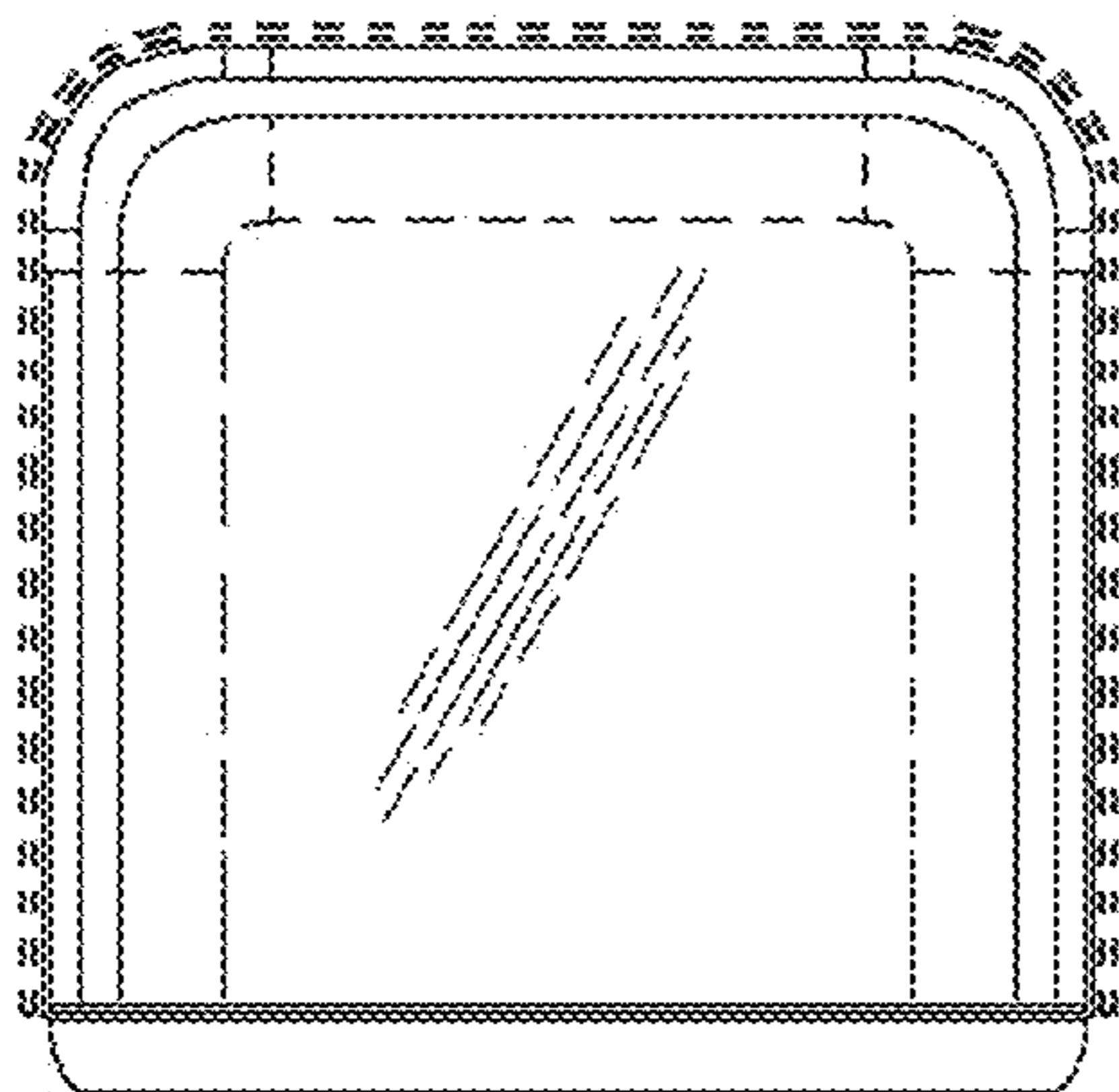


Fig. 3

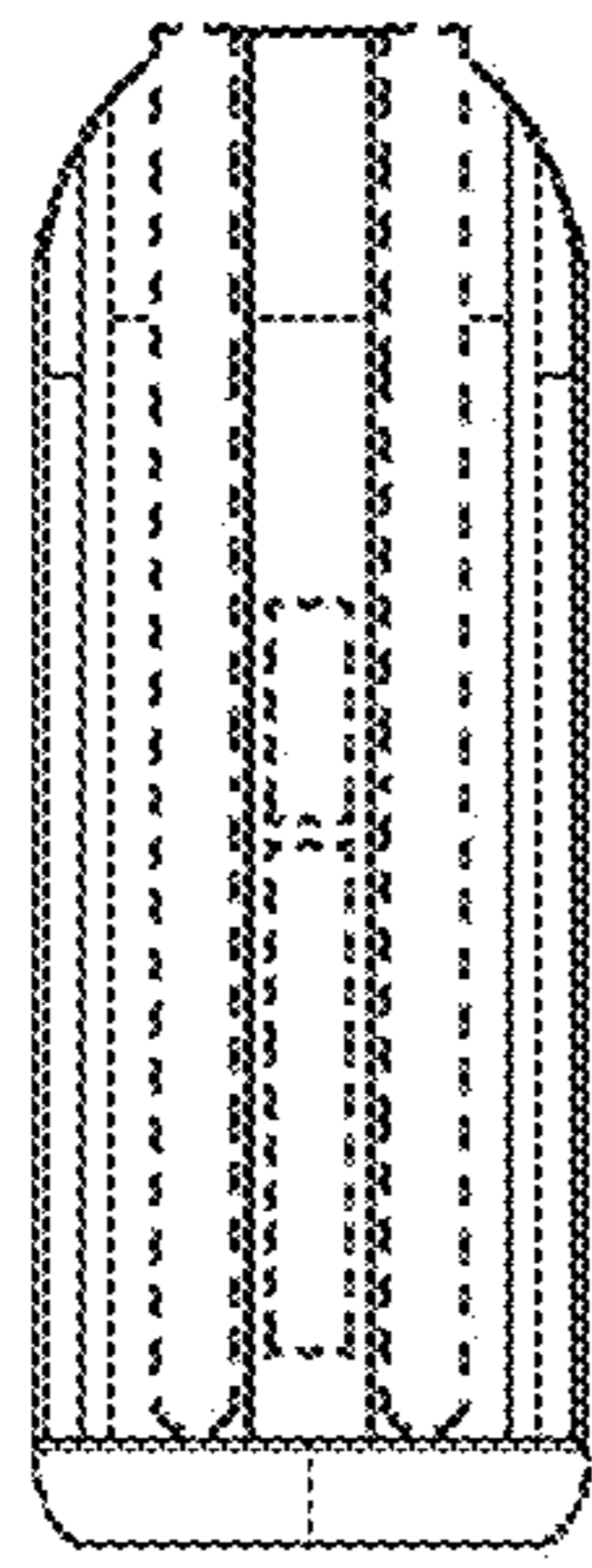


Fig. 4

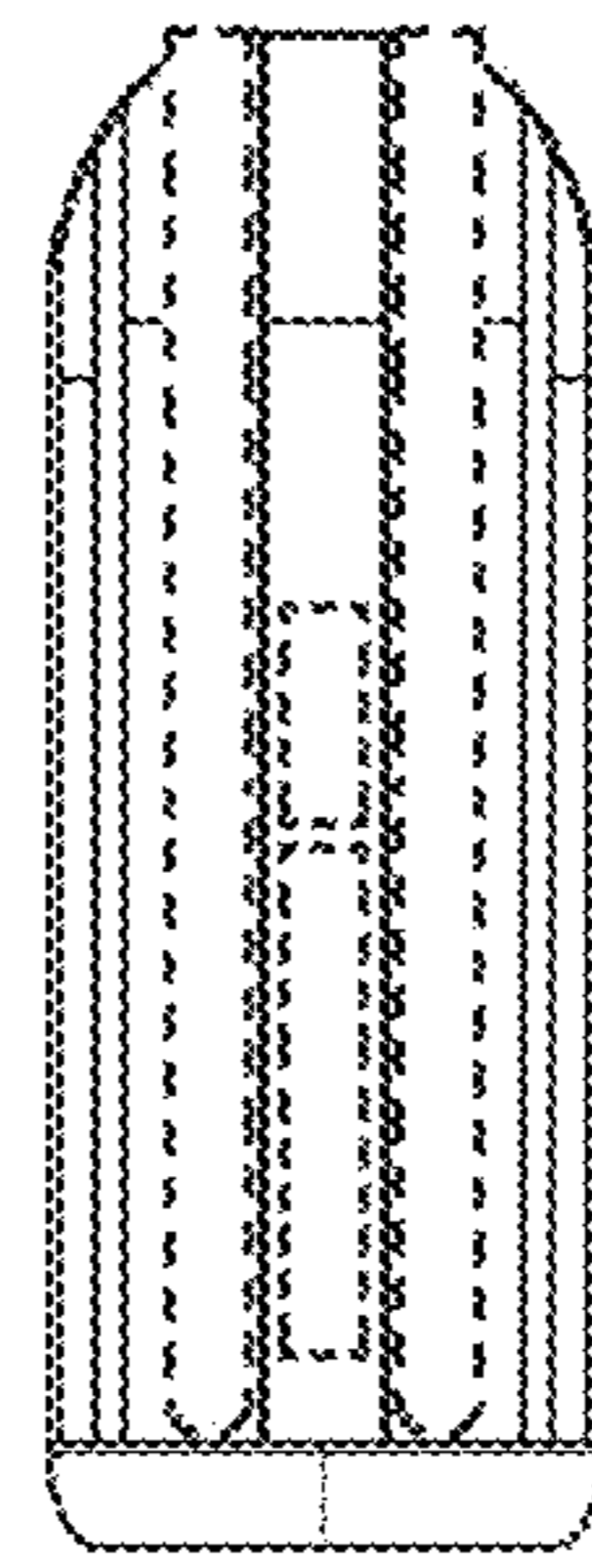


Fig. 5

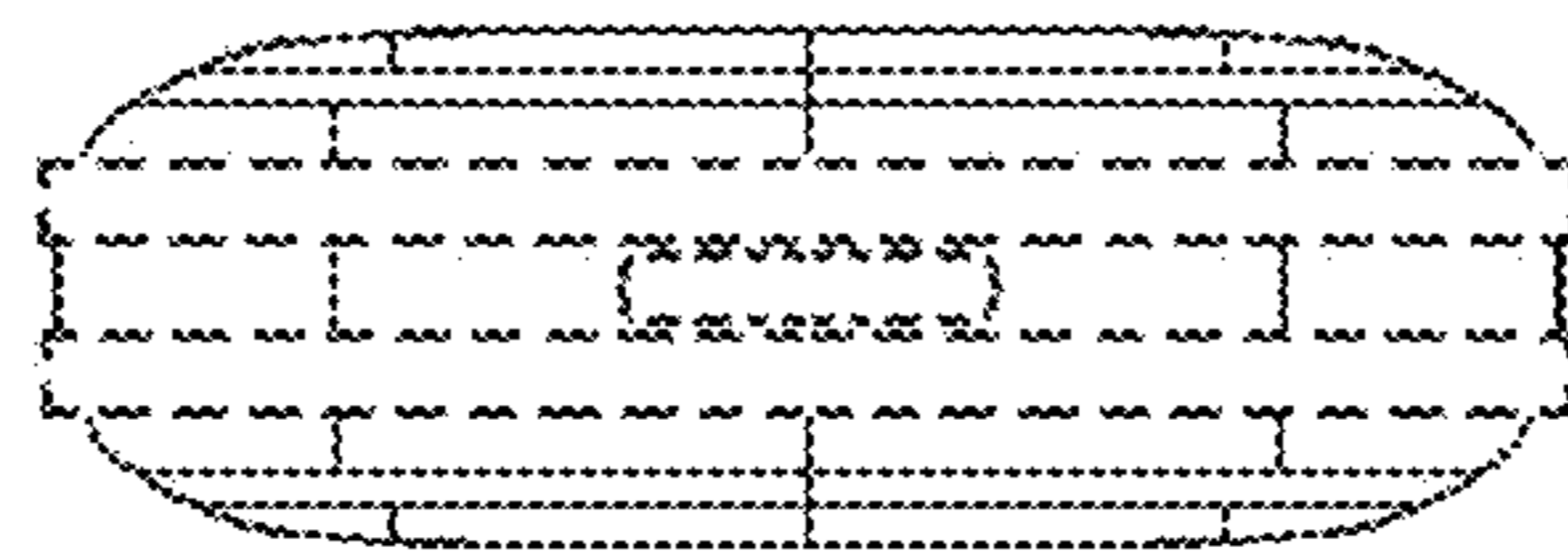


Fig. 6

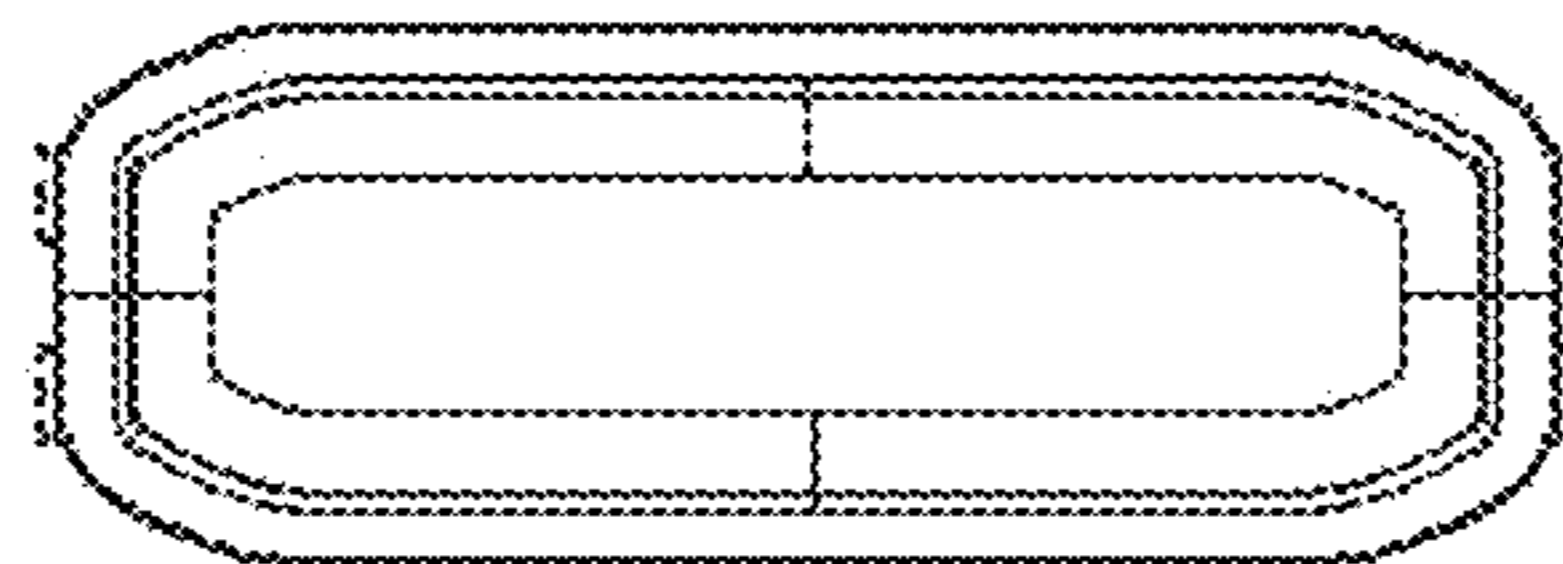


Fig. 7