



US00D826461S

(12) **United States Design Patent**
Sonneman

(10) **Patent No.:** **US D826,461 S**

(45) **Date of Patent:** **** Aug. 21, 2018**

(54) **LIGHTING ELEMENT**

(71) Applicant: **Robert A. Sonneman**, Mamaroneck, NY (US)

(72) Inventor: **Robert A. Sonneman**, Mamaroneck, NY (US)

(73) Assignee: **CONTEMPORARY VISIONS, LLC**, Larchmont, NY (US)

(**) Term: **15 Years**

(21) Appl. No.: **29/628,785**

(22) Filed: **Dec. 7, 2017**

(51) **LOC (11) Cl.** **26-03**

(52) **U.S. Cl.**
USPC **D26/90; D26/75; D26/86**

(58) **Field of Classification Search**
USPC ... D26/3, 26, 72, 75, 76, 78, 80, 81, 82, 84, D26/86, 88, 90, 91, 113
CPC .. F21S 2/005; F21S 4/002; F21S 4/008; F21S 8/031; F21S 8/043; F21S 8/046; F21S 8/06; F21S 8/061; F21S 8/063; F21S 8/065; F21S 8/066; F21S 8/068
See application file for complete search history.

(56) **References Cited**

U.S. PATENT DOCUMENTS

D121,591 S *	7/1940	Heath	362/225
D121,883 S *	8/1940	Pieper	362/217.14
D122,864 S *	10/1940	Dreyfuss	362/219
D122,887 S *	10/1940	Beals	362/219
D123,760 S *	12/1940	Heath	362/219
D135,698 S *	5/1943	Samit	D26/90
D148,251 S *	12/1947	Pretzer et al.	D26/78
D162,278 S *	3/1951	Ainsworth	D26/78
D220,206 S *	3/1971	Hamburger	D26/75
D228,146 S *	8/1973	Schwartz	D26/82
D240,156 S *	6/1976	von Serta	D26/128

D240,549 S *	7/1976	Eftekhar	D26/78
4,420,798 A *	12/1983	Herst	E04B 9/064 362/145
D373,002 S *	8/1996	Porter	D26/144
D526,420 S *	8/2006	Foo	D26/3
D537,963 S *	3/2007	Vakil	D26/3
D573,299 S *	7/2008	Fanning	D26/153
D613,897 S *	4/2010	Thun	D26/76
D619,291 S *	7/2010	Thevenot	D26/75
D653,791 S *	2/2012	Toyohisa	D26/80
D671,670 S *	11/2012	Sonneman	D26/90
D674,951 S *	1/2013	Sonneman	D26/102
D772,468 S *	11/2016	Sonneman	D26/90
D777,366 S *	1/2017	Kitts	D26/88
D782,722 S *	3/2017	Kitts	D26/86
2006/0098444 A1 *	5/2006	Petruzzi	F21S 8/06 362/404

(Continued)

Primary Examiner — Clare E Hefflin

(74) *Attorney, Agent, or Firm* — Gottlieb, Rackman & Reisman, P.C.

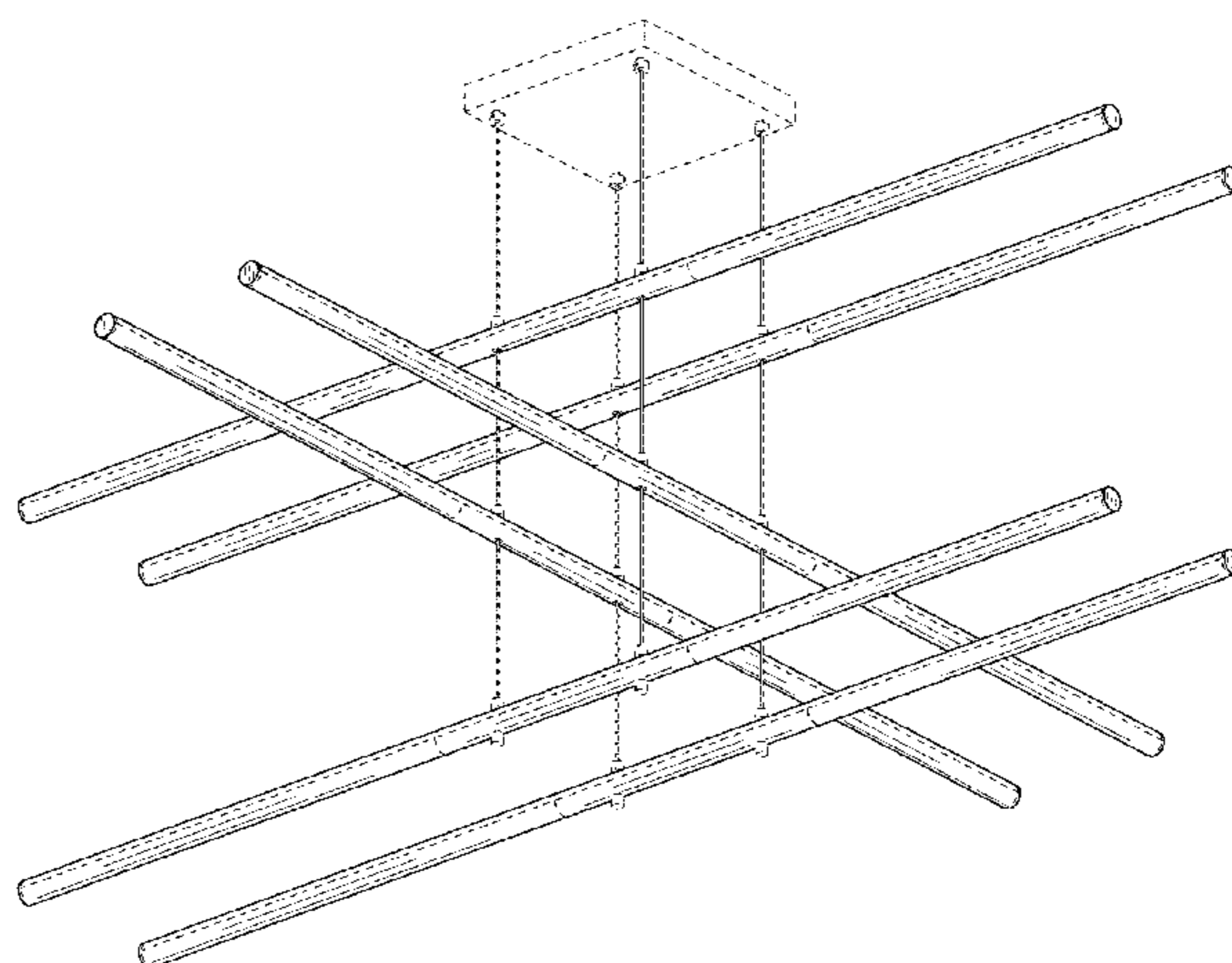
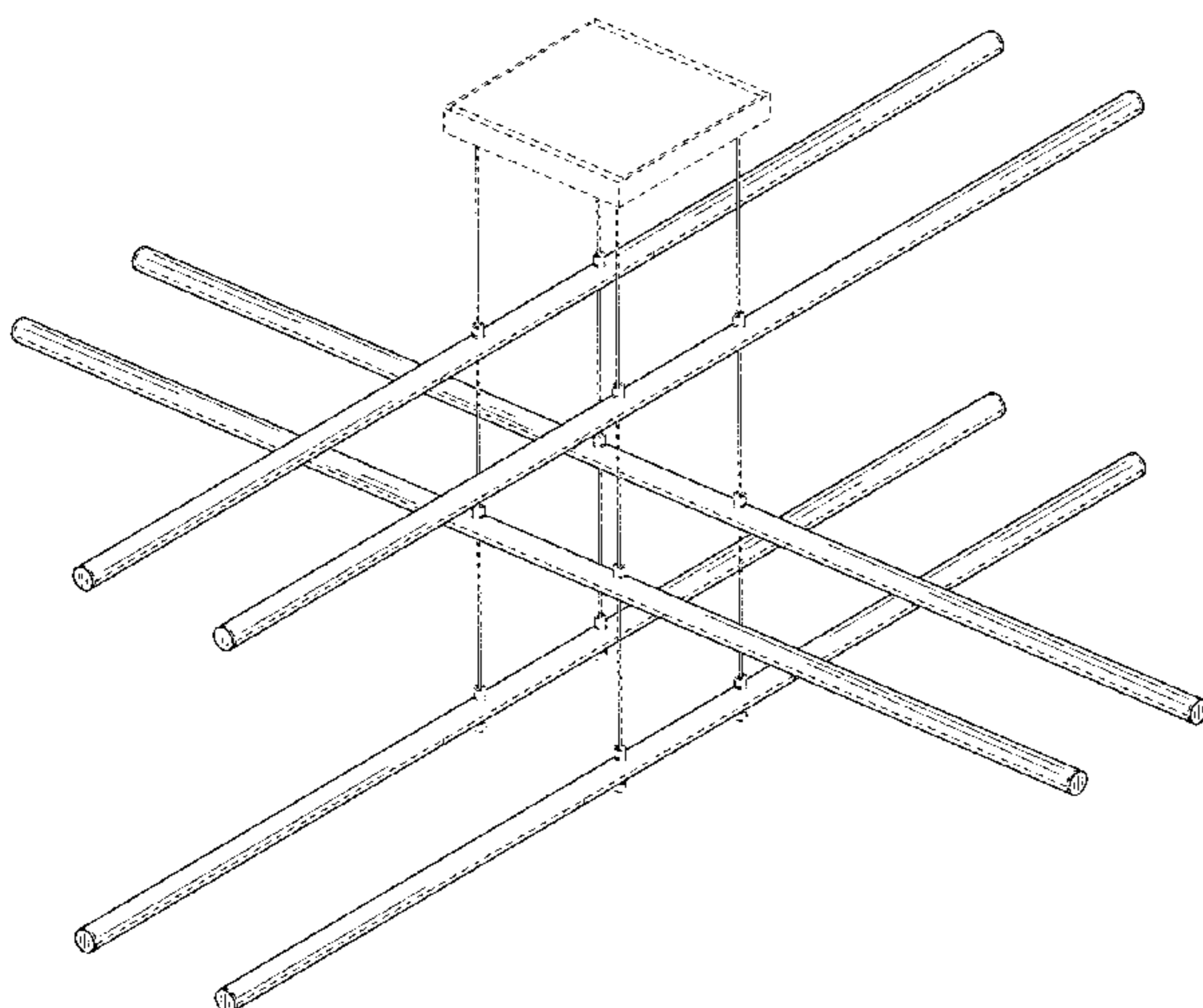
(57) **CLAIM**

The ornamental design for a lighting element, as shown and described.

DESCRIPTION

FIG. 1 is a first perspective view of a lighting element showing my new design;
 FIG. 2 is a second perspective view of the lighting element thereof;
 FIG. 3 is a front elevational view thereof;
 FIG. 4 is a rear elevational view thereof;
 FIG. 5 is a right side elevational view thereof;
 FIG. 6 is a left side elevational view thereof;
 FIG. 7 is a top plan view thereof; and,
 FIG. 8 is a bottom plan view thereof.
 The broken lines shown in the drawings are included for the purpose of illustrating portions of the lighting element that form no part of the claimed design.

1 Claim, 6 Drawing Sheets



(56)

References Cited

U.S. PATENT DOCUMENTS

2009/0146910 A1* 6/2009 Gardner F21S 2/005
345/1.3
2012/0241579 A1* 9/2012 Karlsson F21V 21/096
248/343
2017/0030561 A1* 2/2017 Dix F21S 2/005
2017/0198872 A1* 7/2017 Sonneman F21S 8/065
2018/0128467 A1* 5/2018 Sonneman F21V 21/35

* cited by examiner

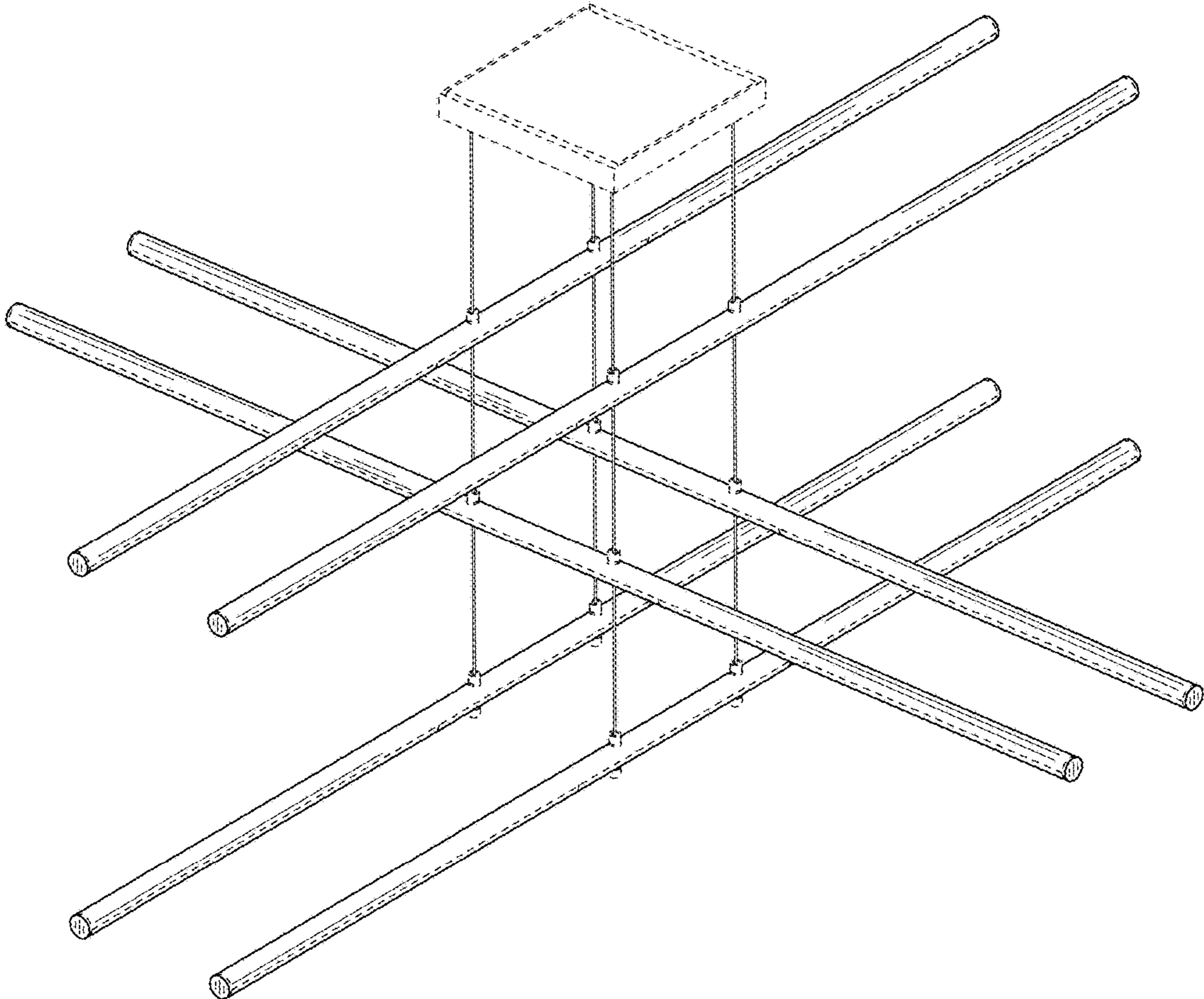


FIG. 1

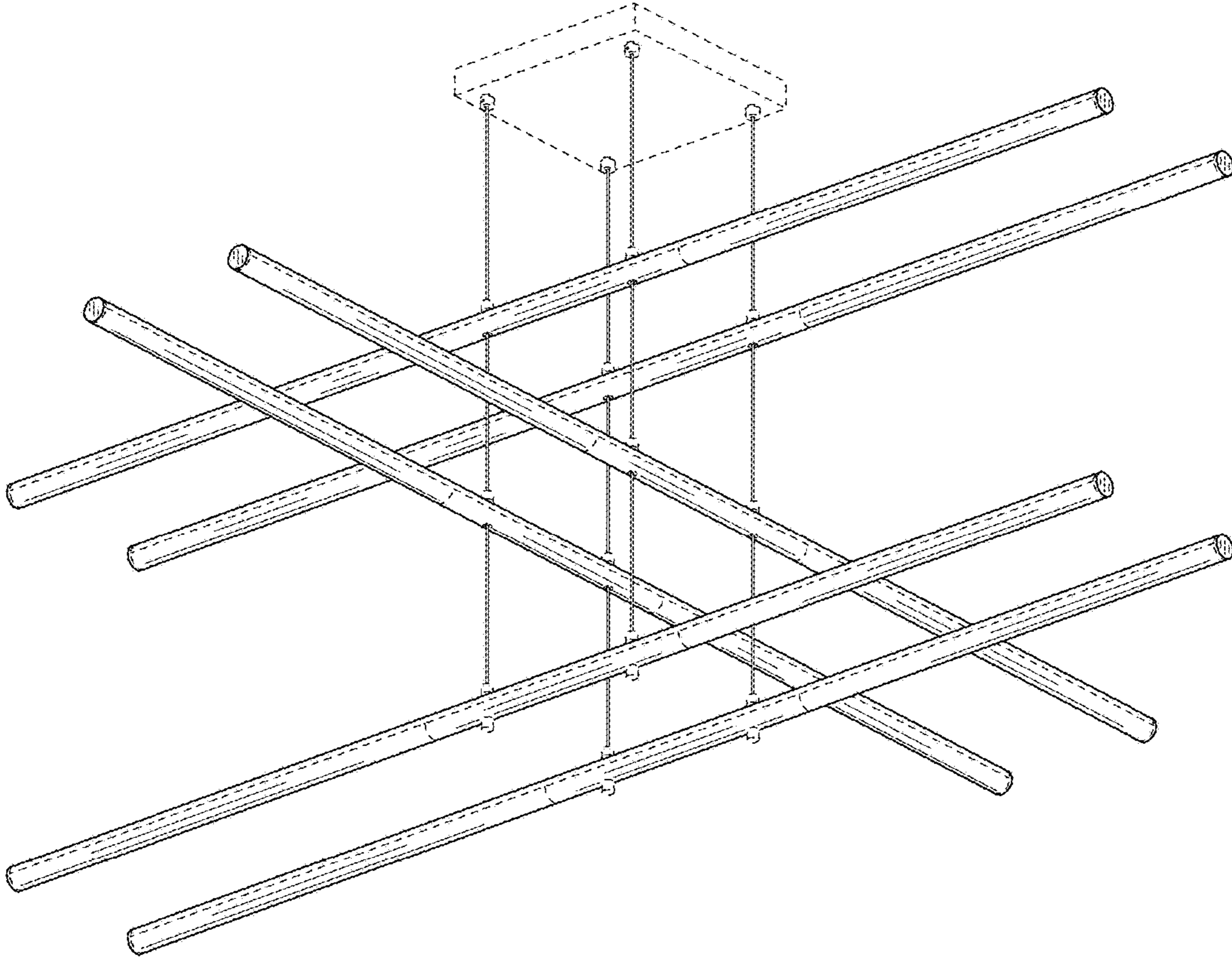


FIG. 2

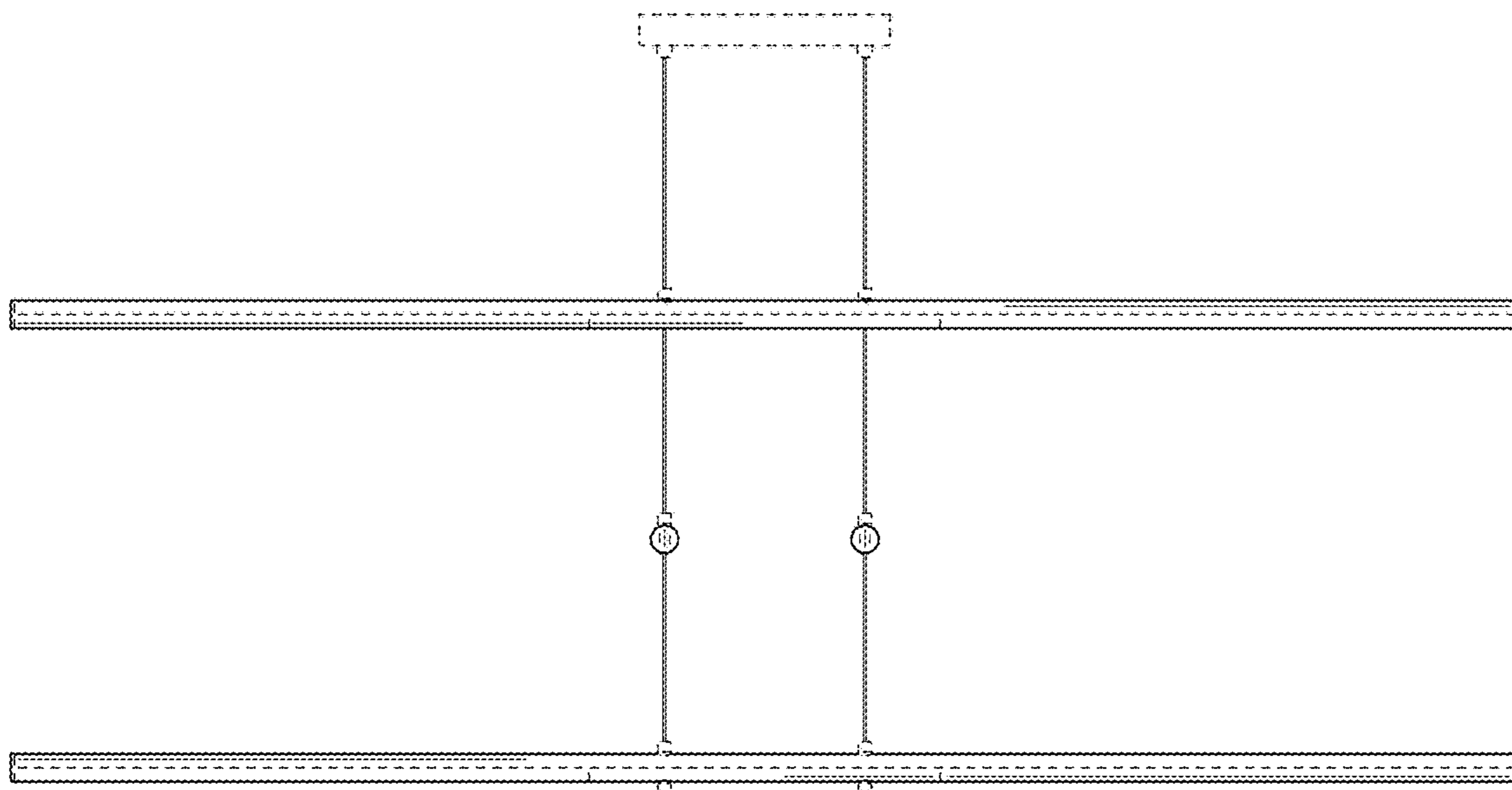


FIG. 3

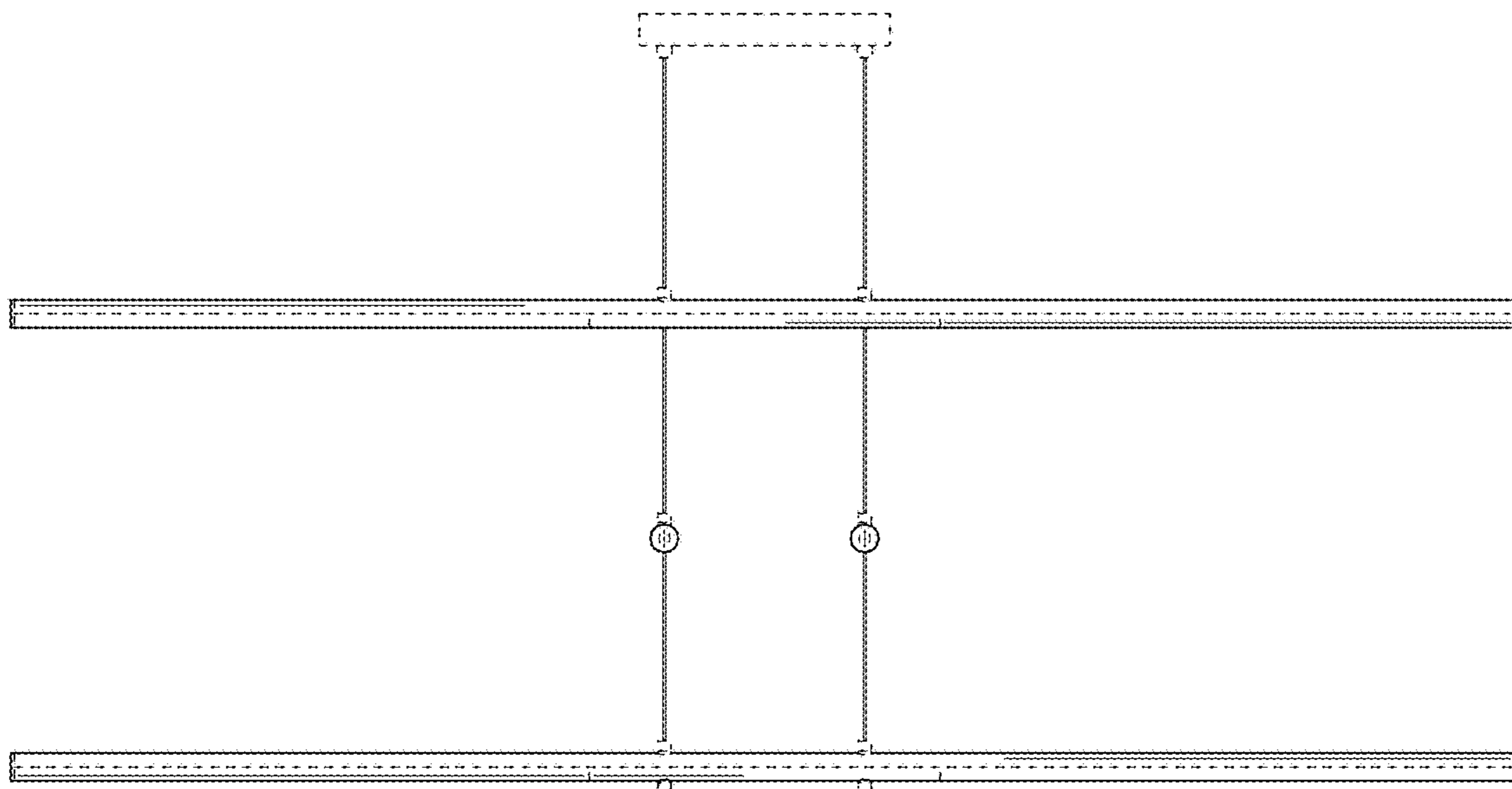


FIG. 4

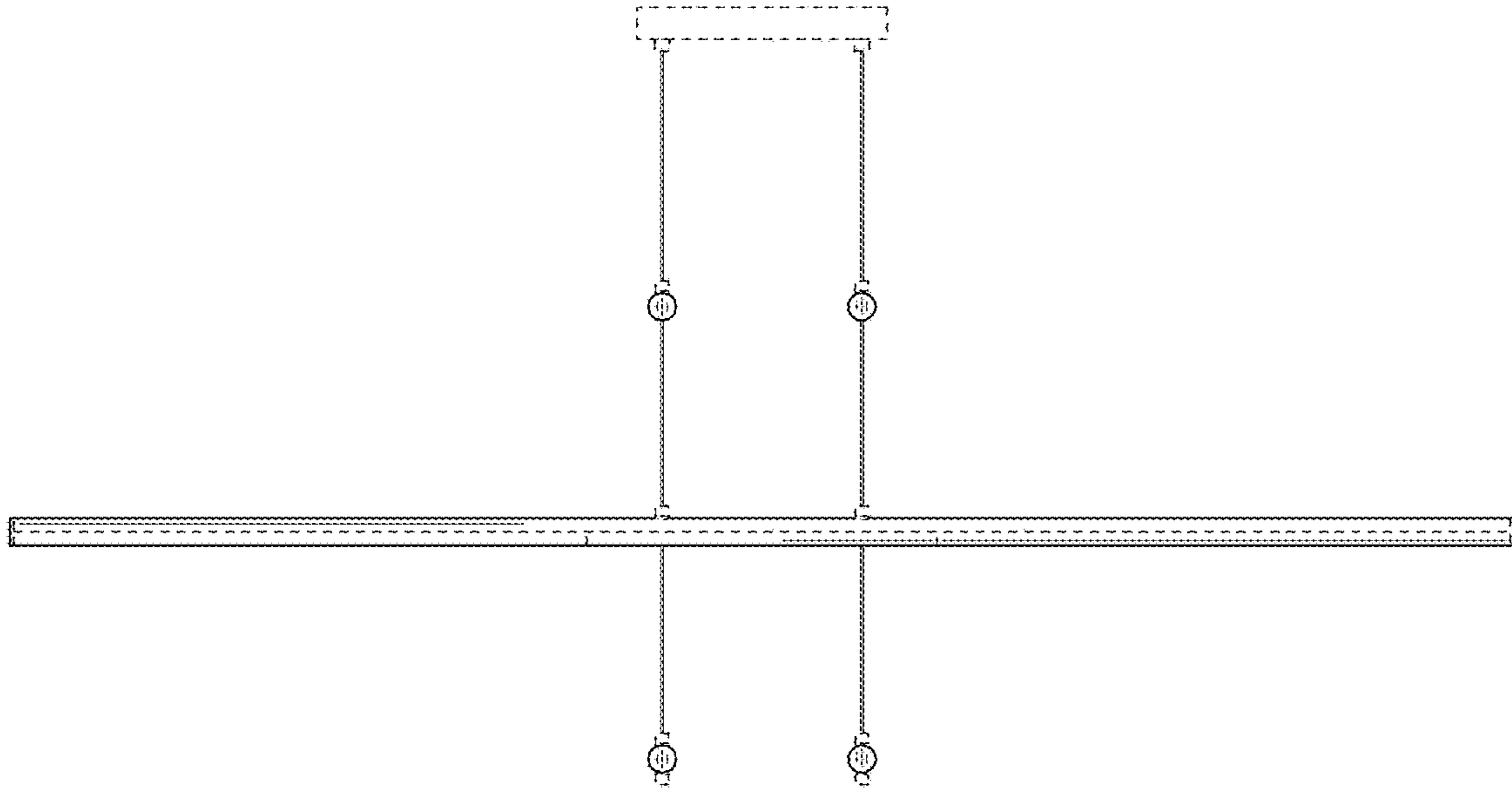


FIG. 5

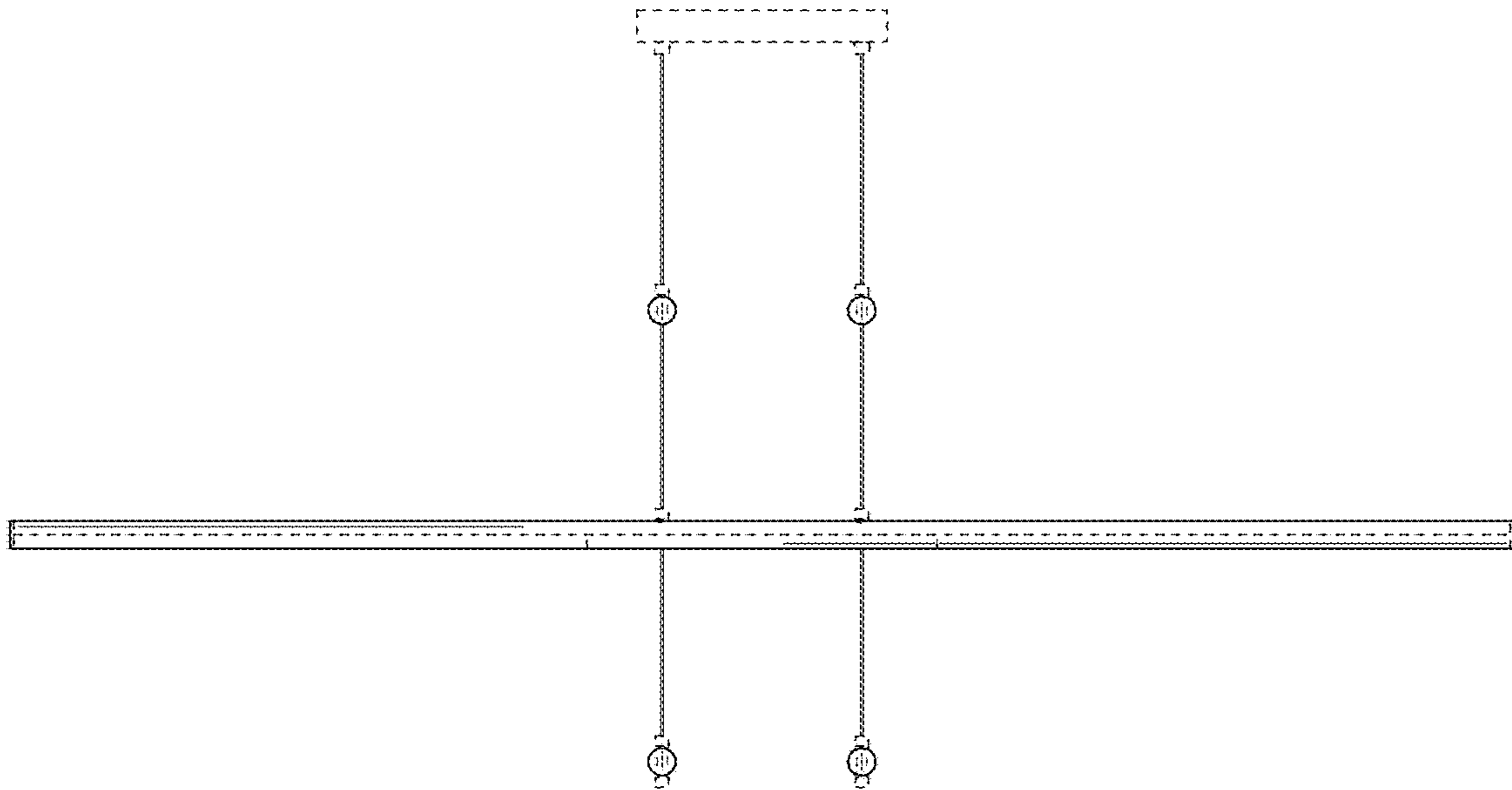


FIG. 6

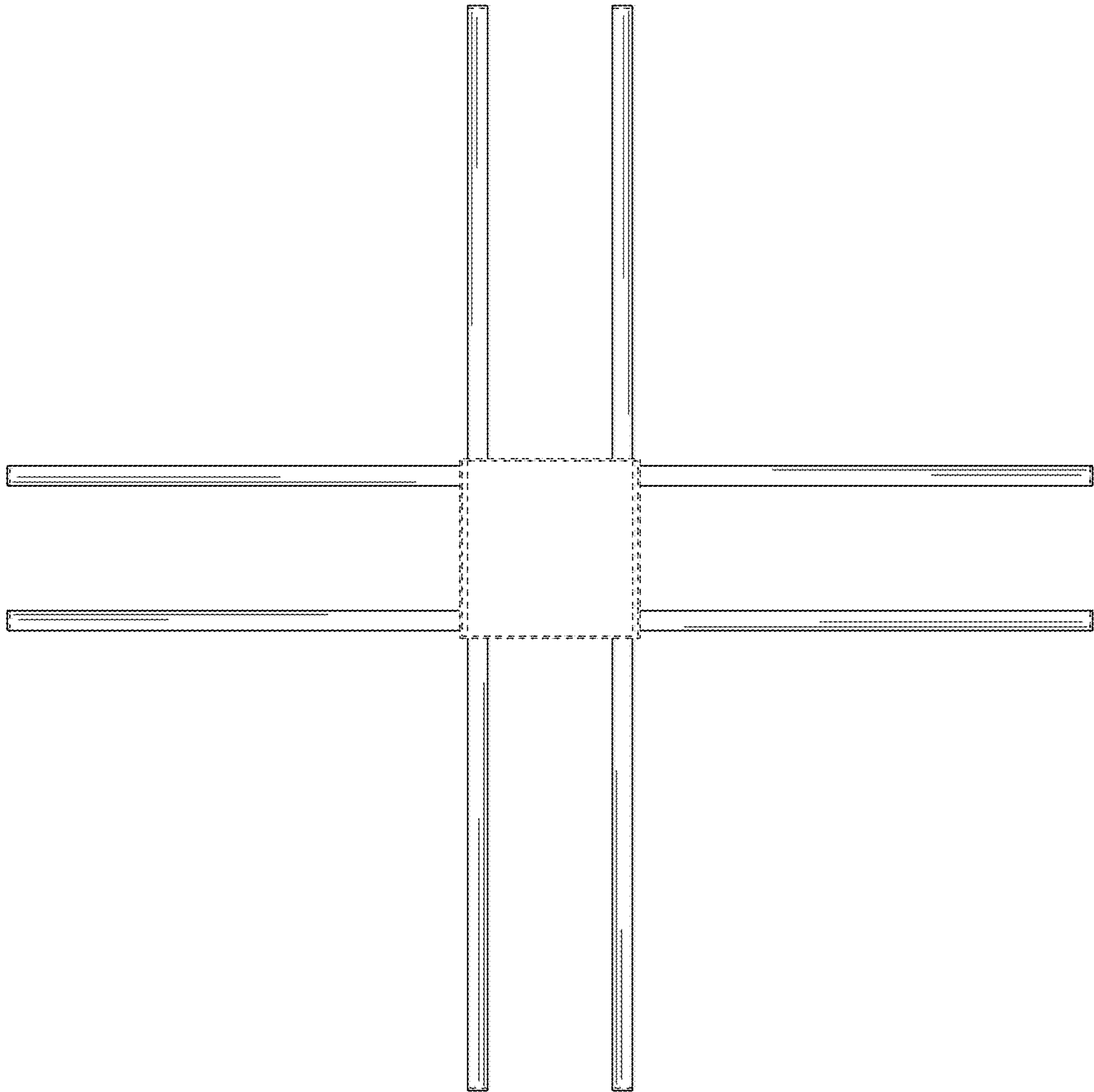


FIG. 7

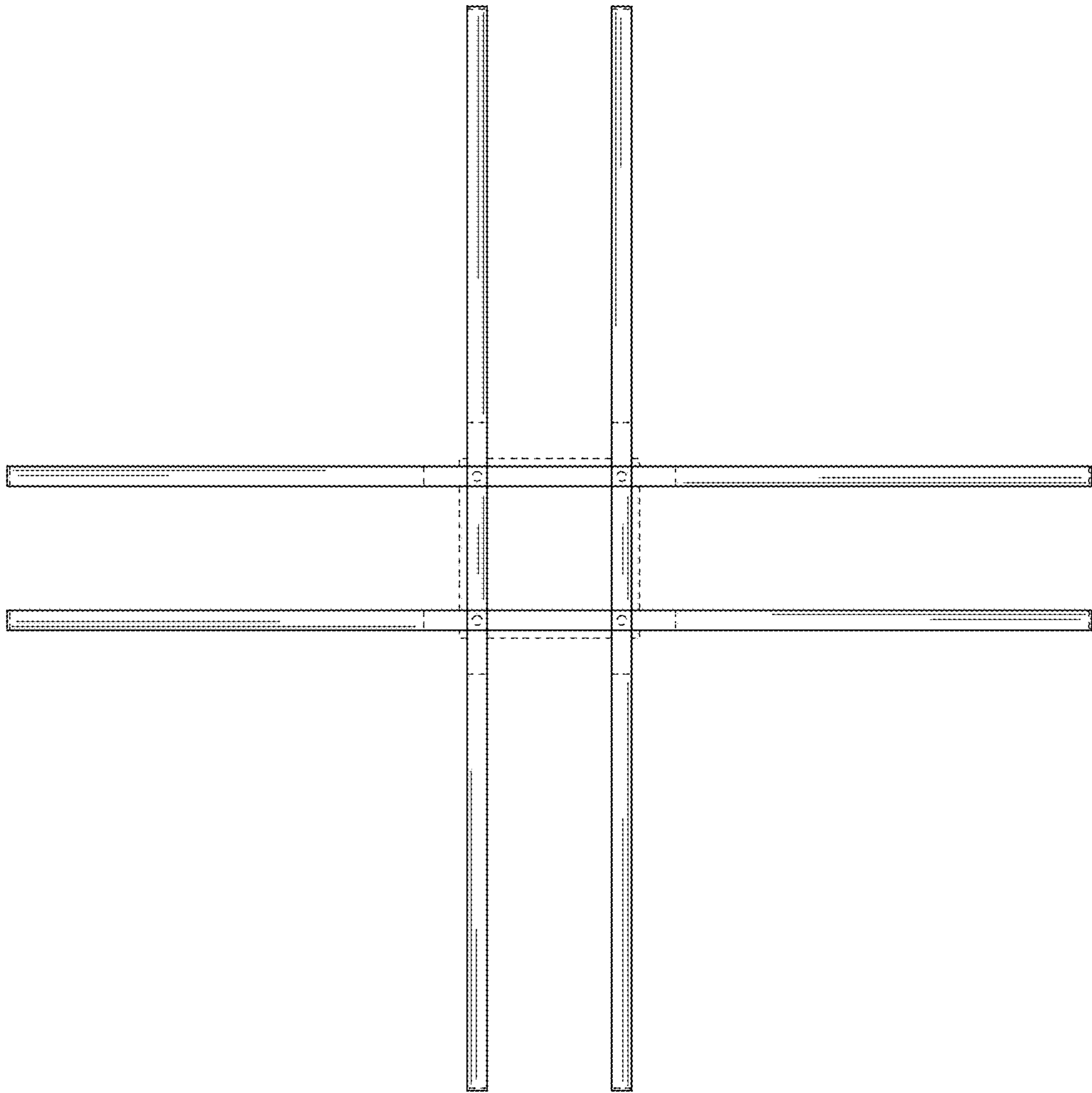


FIG. 8