



US00D826460S

(12) **United States Design Patent**
Velez et al.

(10) **Patent No.:** **US D826,460 S**
(45) **Date of Patent:** **** Aug. 21, 2018**

(54) **LIGHT FIXTURE**

(71) Applicant: **Holly Hunt Enterprises, Inc.**, Chicago, IL (US)

(72) Inventors: **Alberto Velez**, Chicago, IL (US); **Holly Hunt**, Chicago, IL (US)

(**) Term: **15 Years**

(21) Appl. No.: **29/606,270**

(22) Filed: **Jun. 2, 2017**

(51) **LOC (11) Cl.** **26-03**

(52) **U.S. Cl.**

USPC **D26/88**; D26/129

(58) **Field of Classification Search**

USPC D26/72, 84, 85, 87, 88, 92, 107, 118,
D26/129, 132, 134, 136

CPC F21S 8/03; F21S 8/031; F21S 8/04; F21S
8/06; F21S 8/061; F21S 8/063; F21S
8/065

See application file for complete search history.

(56) **References Cited**

U.S. PATENT DOCUMENTS

D544,636 S *	6/2007	McMinn	D26/118
D544,637 S *	6/2007	McMinn	D26/118
D548,387 S *	8/2007	McDowell	D26/118
D559,433 S *	1/2008	Mackey	D26/128
D595,448 S *	6/2009	Sabernig	D26/85
D620,183 S *	7/2010	Sabernig	D26/128
D620,184 S *	7/2010	Sabernig	D26/84
D636,522 S *	4/2011	Gutting	D26/137
D641,911 S *	7/2011	Gutting	D26/88
D730,562 S *	5/2015	Blackman	D26/88
D731,104 S *	6/2015	Miyake	D26/88

OTHER PUBLICATIONS

Kichler Lighting Mini-Pendant Light Model No. 42466WMZ. Found at destinationlighting.com visited Mar. 19, 2018. (Year: 2018).*

Holly Hunt Enterprises Reef wall sconce from the Moray Collection. Found at hollyhunt.com visited Mar. 19, 2018. (Year: 2018).*
Kichler Lighting Tremba Olde Bronze Mini-pendant Model No. 43371OZ. Found at destinationlighting.com visited Mar. 19, 2018. (Year: 2018).*
Kichler Lighting Modern Mini-Pendant Model No. 42432AP. Found at destinationlighting.com visited Mar. 19, 2018. (Year: 2018).*

* cited by examiner

Primary Examiner — Clare E Heflin

(74) *Attorney, Agent, or Firm* — The Belles Group, P.C.

(57) **CLAIM**

The ornamental design for a light fixture, as shown and described.

DESCRIPTION

FIG. 1 is a bottom perspective view of a light fixture in accordance with the present design;

FIG. 2 is a front view of the light fixture illustrated in FIG. 1;

FIG. 3 is a rear view of the light fixture illustrated in FIG. 1;

FIG. 4 is a left side view of the light fixture illustrated in FIG. 1;

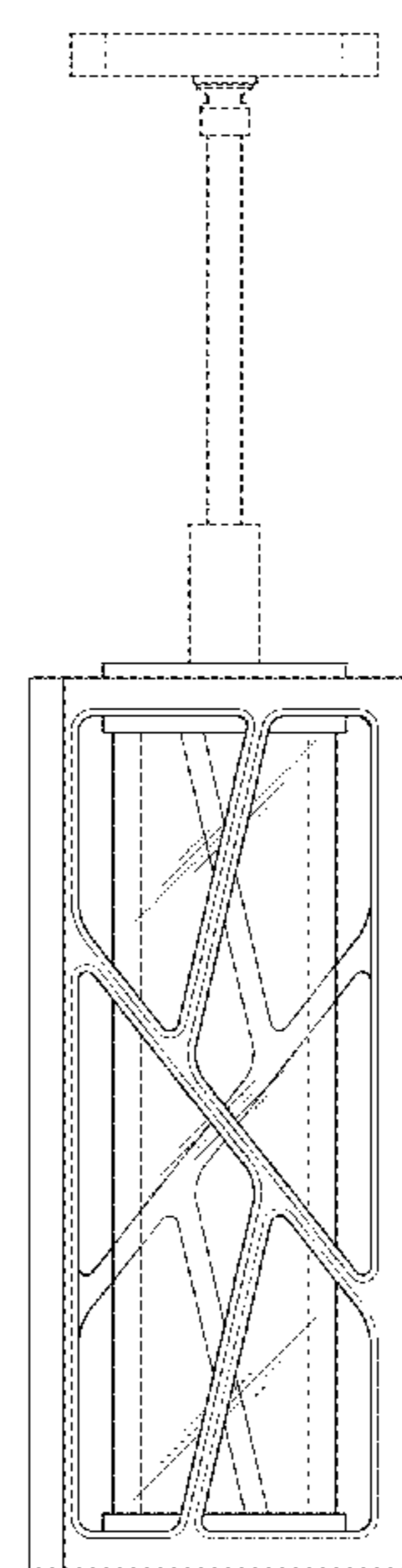
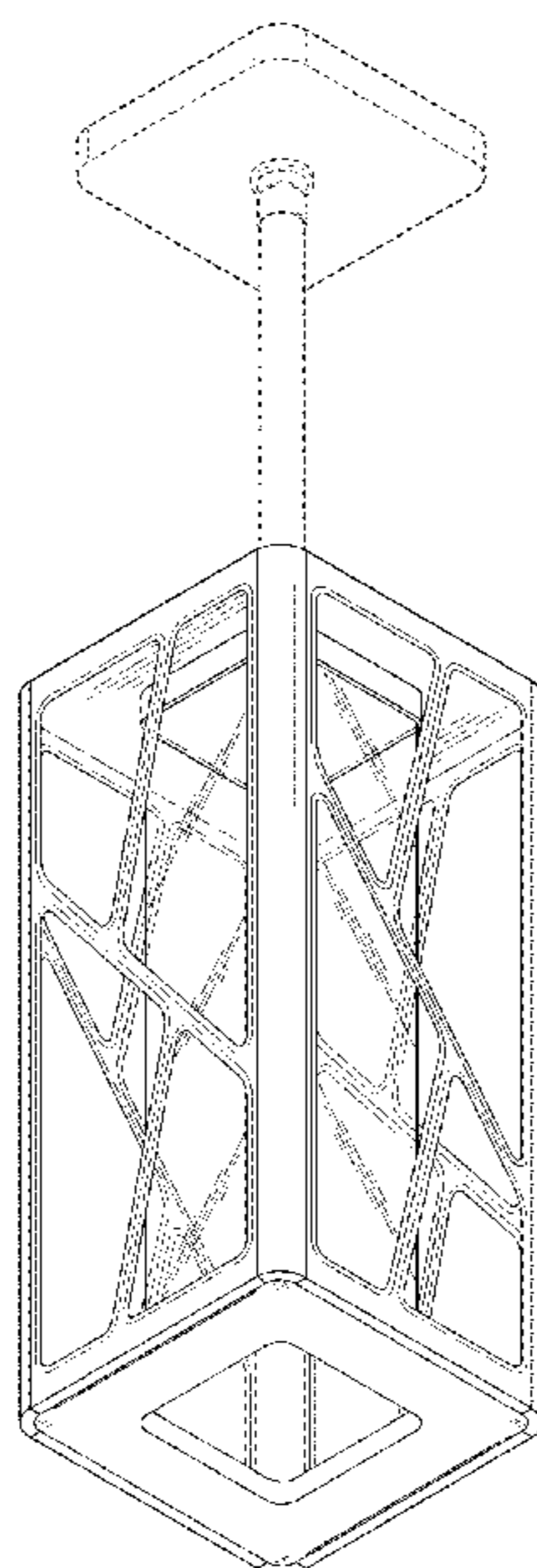
FIG. 5 is a right side view of the light fixture illustrated in FIG. 1;

FIG. 6 is a top plan view of the light fixture illustrated in FIG. 1; and,

FIG. 7 is a bottom plan view of the light fixture illustrated in FIG. 1.

The broken lines in the figures show elements of the article that form no part of the claimed design.

1 Claim, 6 Drawing Sheets



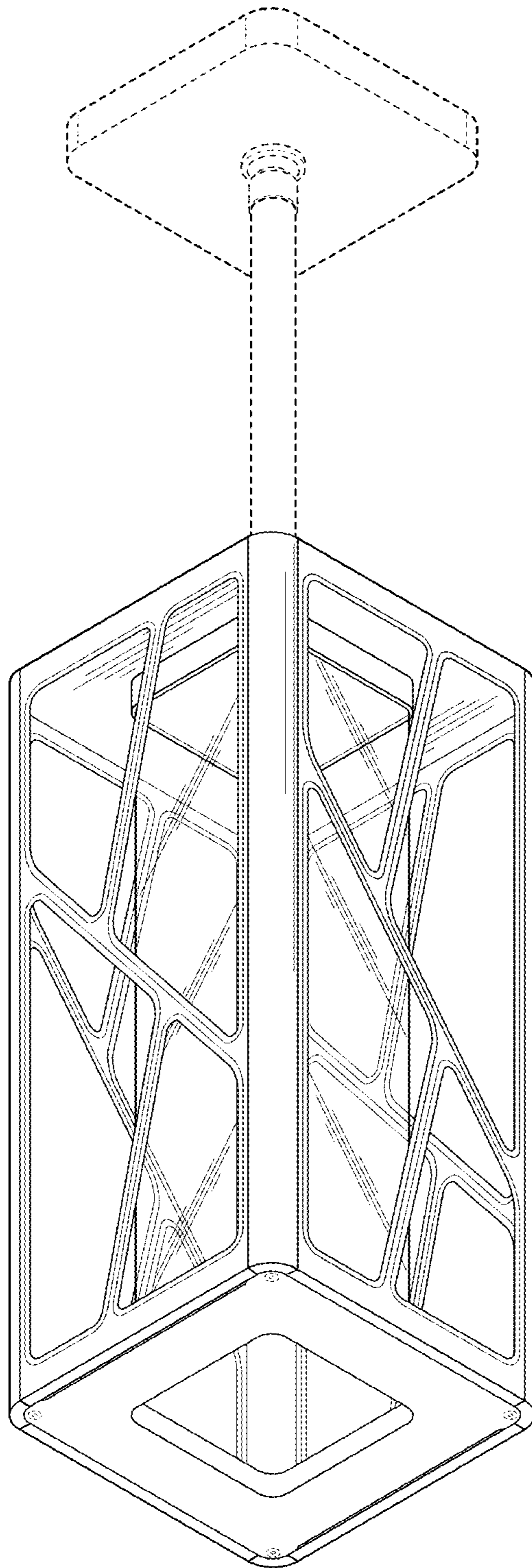


FIG. 1

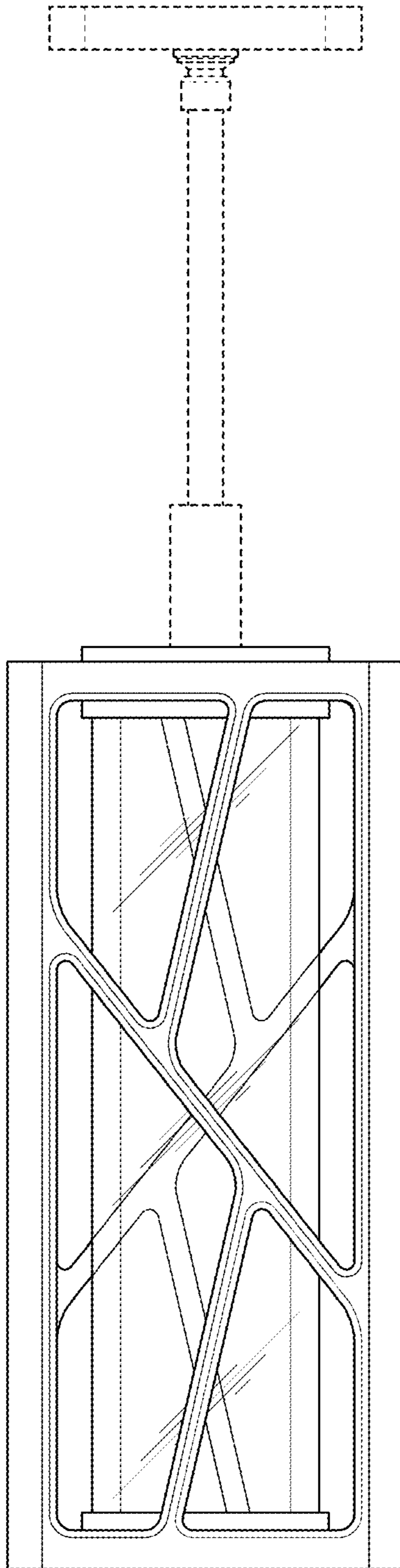


FIG. 2

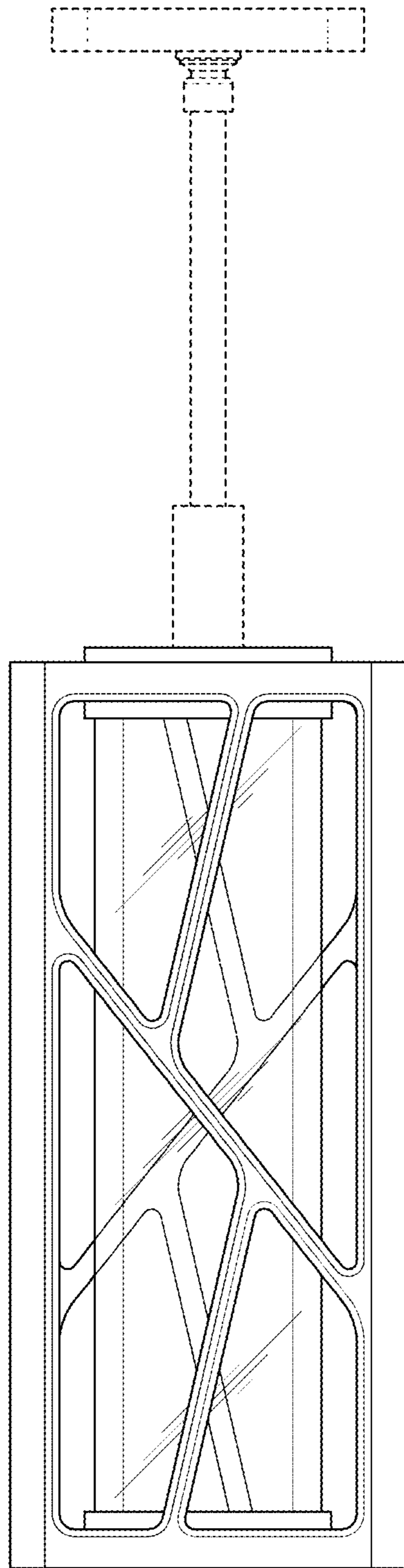


FIG. 3

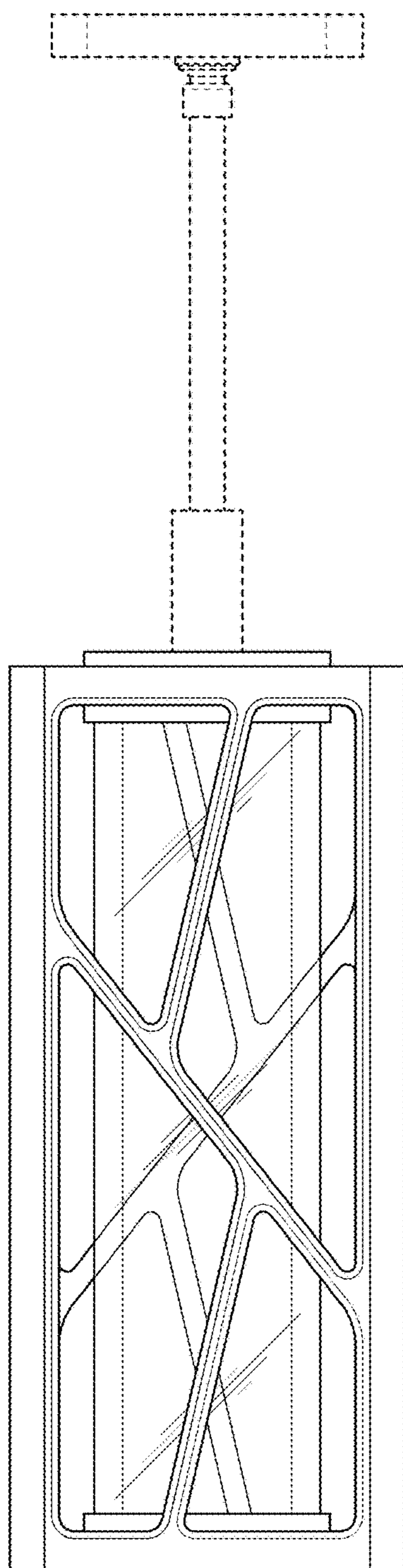


FIG. 4

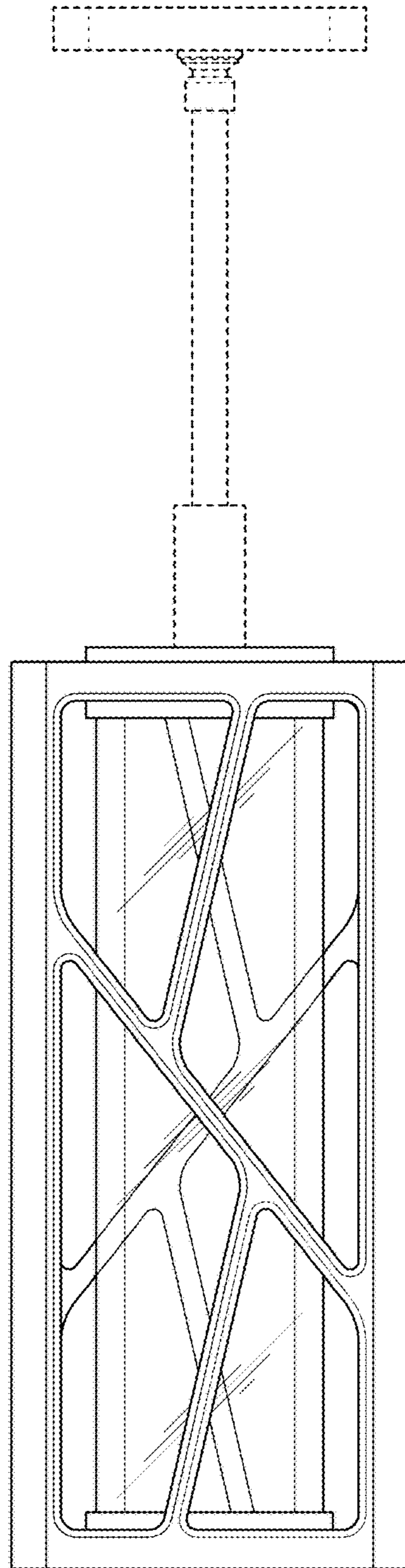


FIG. 5

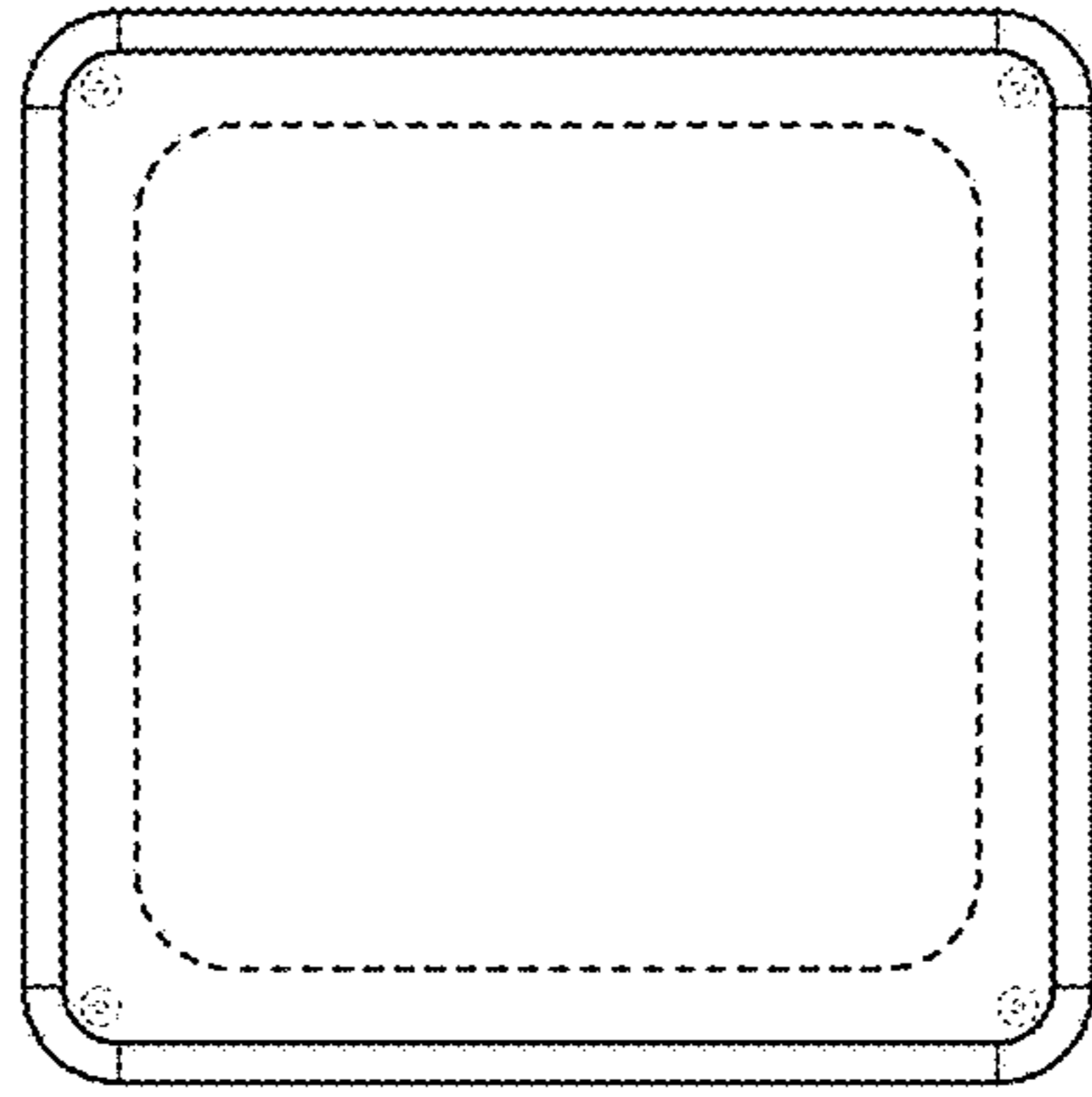


FIG. 6

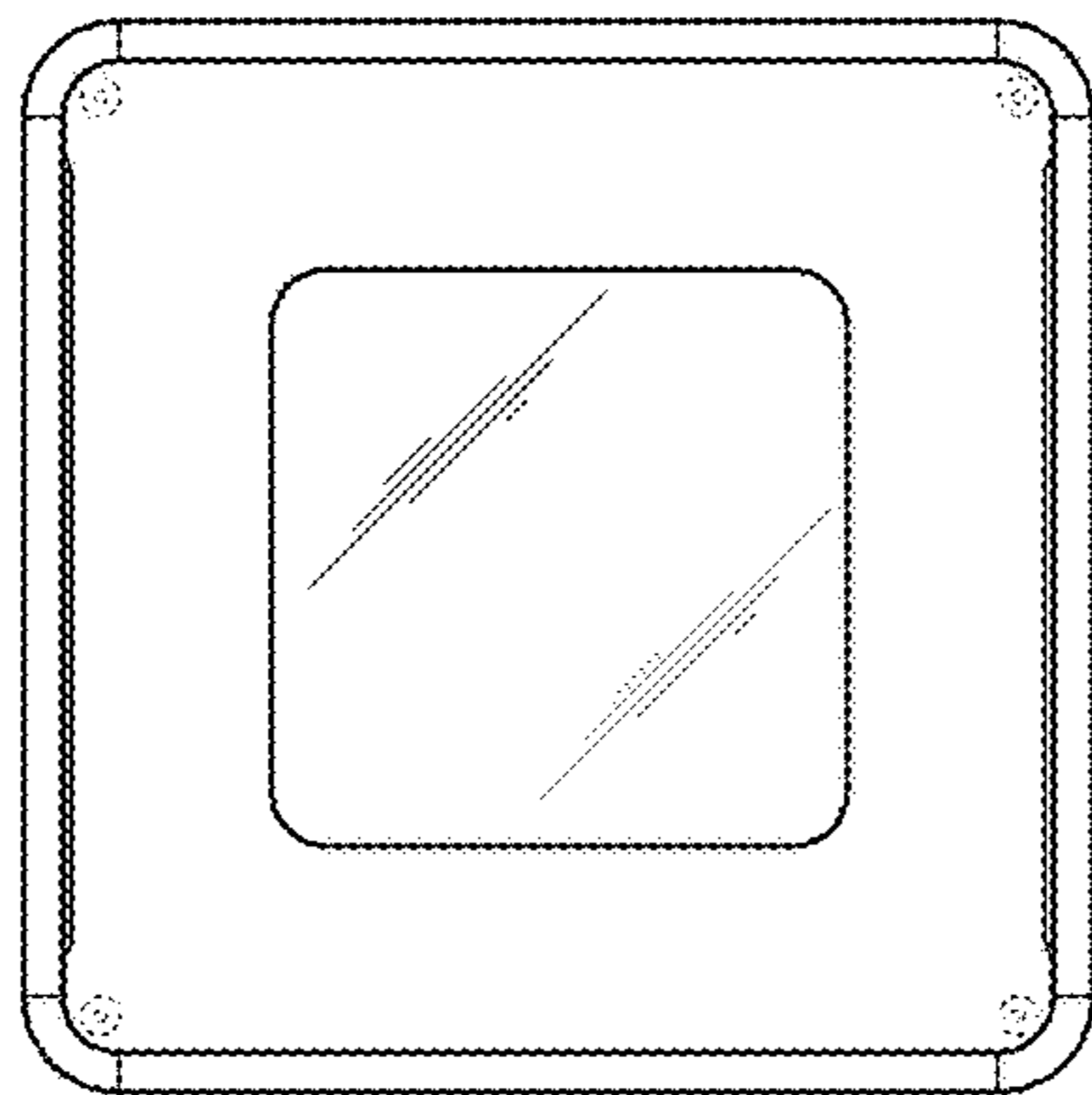


FIG. 7