



US00D826459S

(12) **United States Design Patent** (10) **Patent No.:** **US D826,459 S**  
**Amato et al.** (45) **Date of Patent:** **\*\* Aug. 21, 2018**

(54) **LIGHTING FIXTURE**

(71) Applicant: **The Urban Electric Company**, North Charleston, SC (US)

(72) Inventors: **Michael Amato**, Johns Island, SC (US); **David Dawson**, Charleston, SC (US); **Jonathan Charpia**, Summerville, SC (US); **Christopher Roof**, Charleston, SC (US); **Joeangel Casanova**, North Charleston, SC (US); **Courteney Salsbury**, Mount Pleasant, SC (US); **Brianna Magagnoli**, Charleston, SC (US)

(73) Assignee: **The Urban Electric Company**, North Charleston, SC (US)

(\*\*) Term: **15 Years**

(21) Appl. No.: **29/597,097**

(22) Filed: **Mar. 14, 2017**

(51) **LOC (11) Cl.** ..... **26-05**

(52) **U.S. Cl.**  
USPC ..... **D26/87**

(58) **Field of Classification Search**  
USPC ..... D26/72, 80-89, 92, 61, 62  
CPC .. F21S 8/033; F21S 8/036; F21S 8/038; F21S 9/037; F21W 2121/004; F21W 2131/107; F21V 21/02

See application file for complete search history.

(56) **References Cited**

U.S. PATENT DOCUMENTS

D261,558 S \* 10/1981 Palka ..... D26/87  
D262,321 S \* 12/1981 Kvasnicka ..... D26/73

D487,815 S \* 3/2004 Hoernig ..... D26/87  
D576,767 S \* 9/2008 Gutkin ..... D26/145  
D583,979 S \* 12/2008 Sabernig ..... D26/87  
D605,331 S \* 12/2009 Miranda ..... D26/87

OTHER PUBLICATIONS

Erna Wall Mounted Single Arm Sconce, Waterworks, (c) 2017, site visited Mar. 22, 2018, available online at [http:// www.waterworks.com/erna-wall-mounted-single-arm-sconce-with-fabric-shade-ezlt01](http://www.waterworks.com/erna-wall-mounted-single-arm-sconce-with-fabric-shade-ezlt01) (Year: 2017).\*

\* cited by examiner

Primary Examiner — Cathron C Brooks

(74) Attorney, Agent, or Firm — Jeffrey T. Stover; Haynsworth Sinkler Boyd, P.A.

(57) **CLAIM**

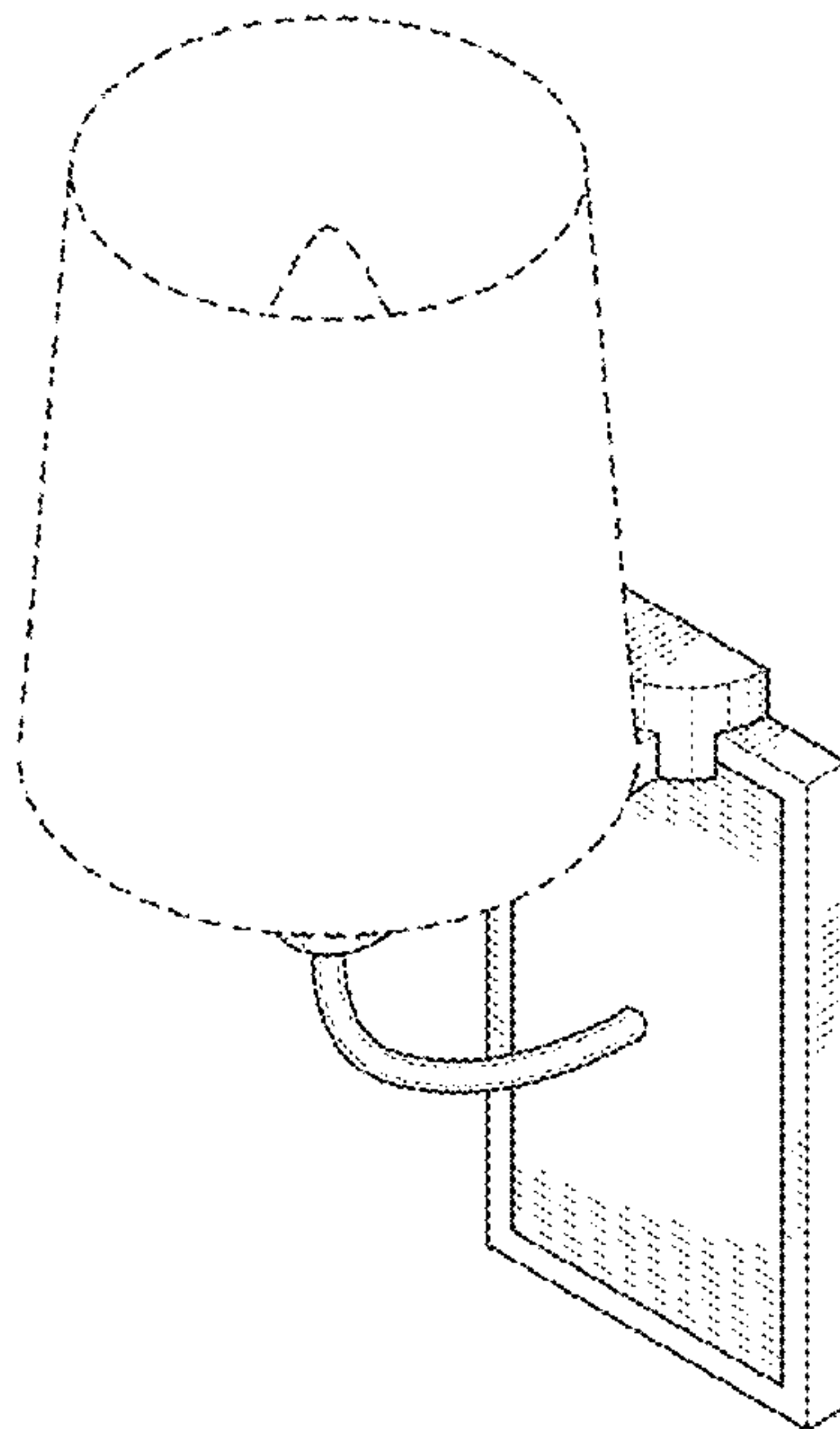
The ornamental design for a lighting fixture, as shown and described.

**DESCRIPTION**

FIG. 1 is a top-front perspective view of a lighting fixture showing the new design;  
FIG. 2 is a front elevational view thereof;  
FIG. 3 is a back elevational view thereof.  
FIG. 4 is a right side elevational view thereof;  
FIG. 5 is a left side elevational view thereof;  
FIG. 6 is a top plan view thereof;  
FIG. 7 is a bottom plan view thereof;  
FIG. 8 is a top-back perspective view thereof; and,  
FIG. 9 is a top-front perspective view of FIG. 1 without the disclaimed shade.

The broken line disclosure in the views represents environmental structure which forms no part of the claimed design.

**1 Claim, 9 Drawing Sheets**



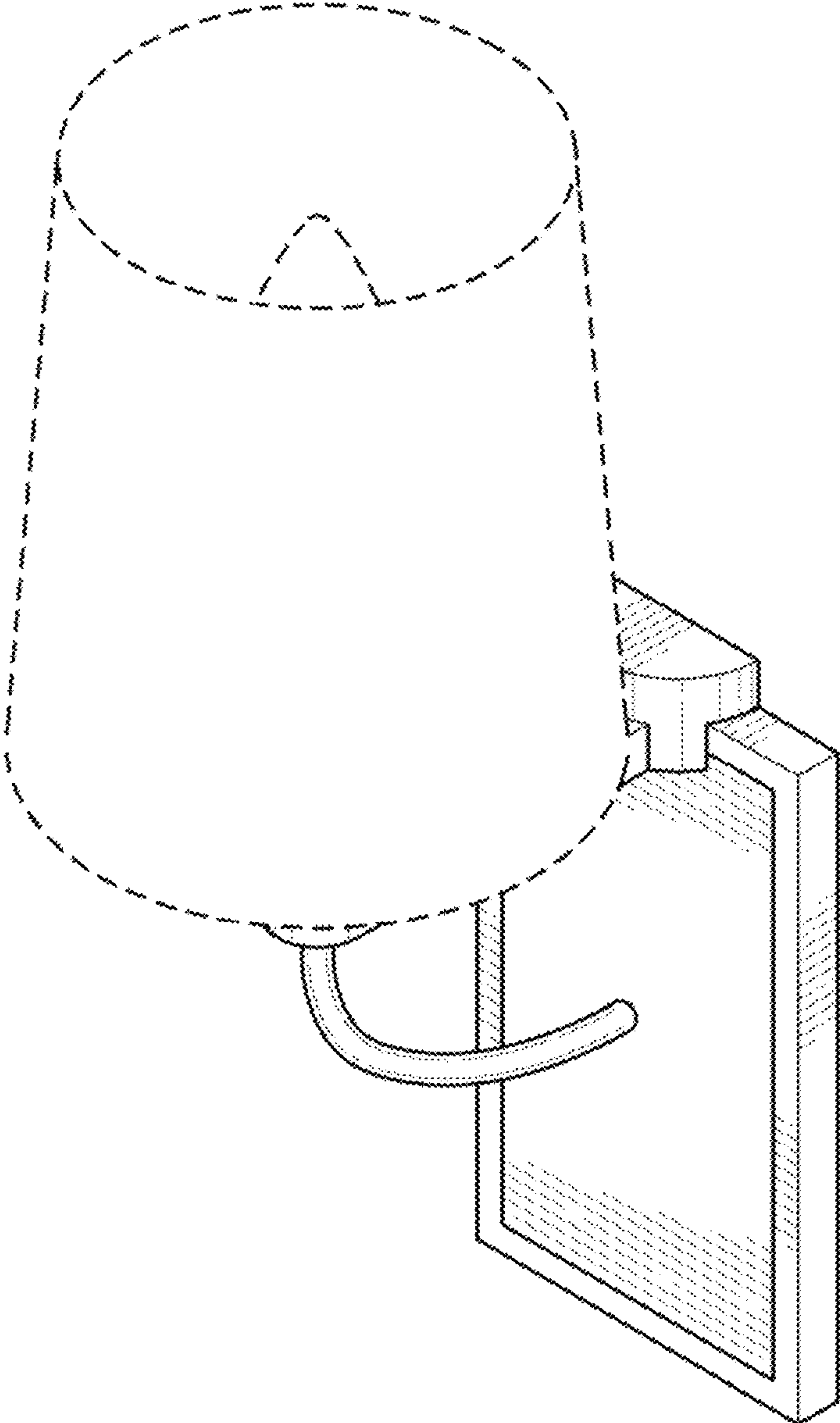


FIG. 1

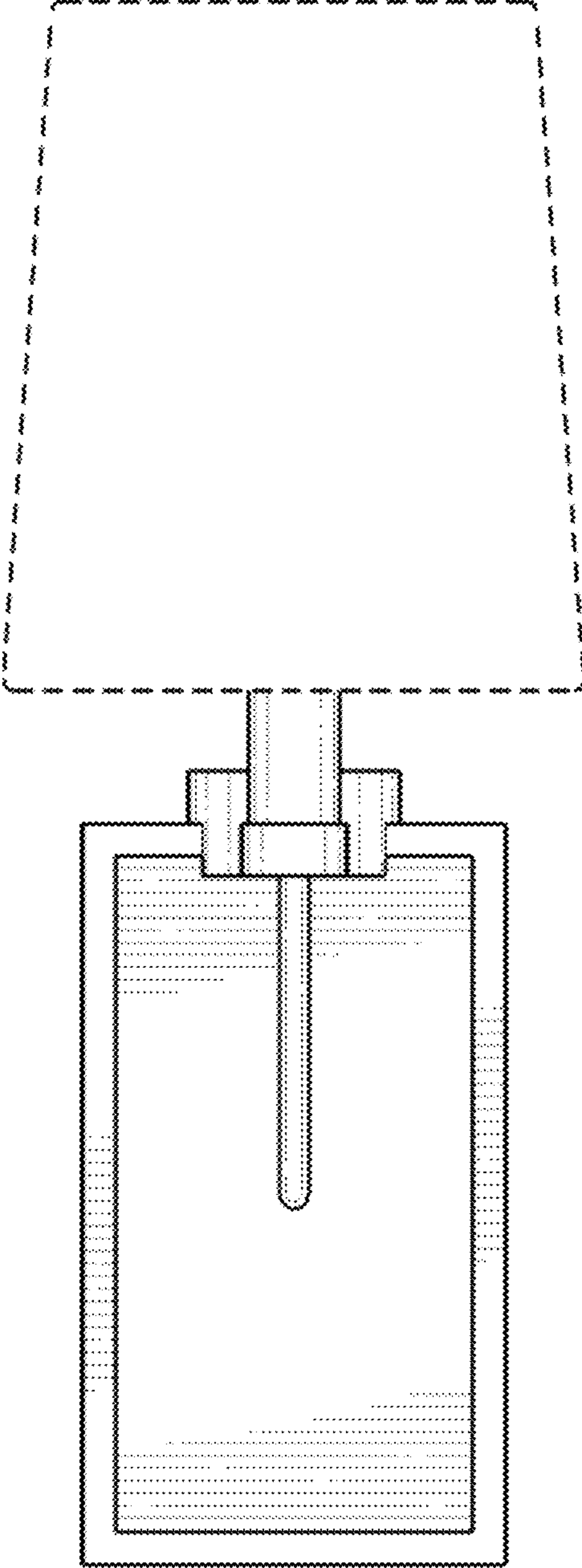


FIG. 2

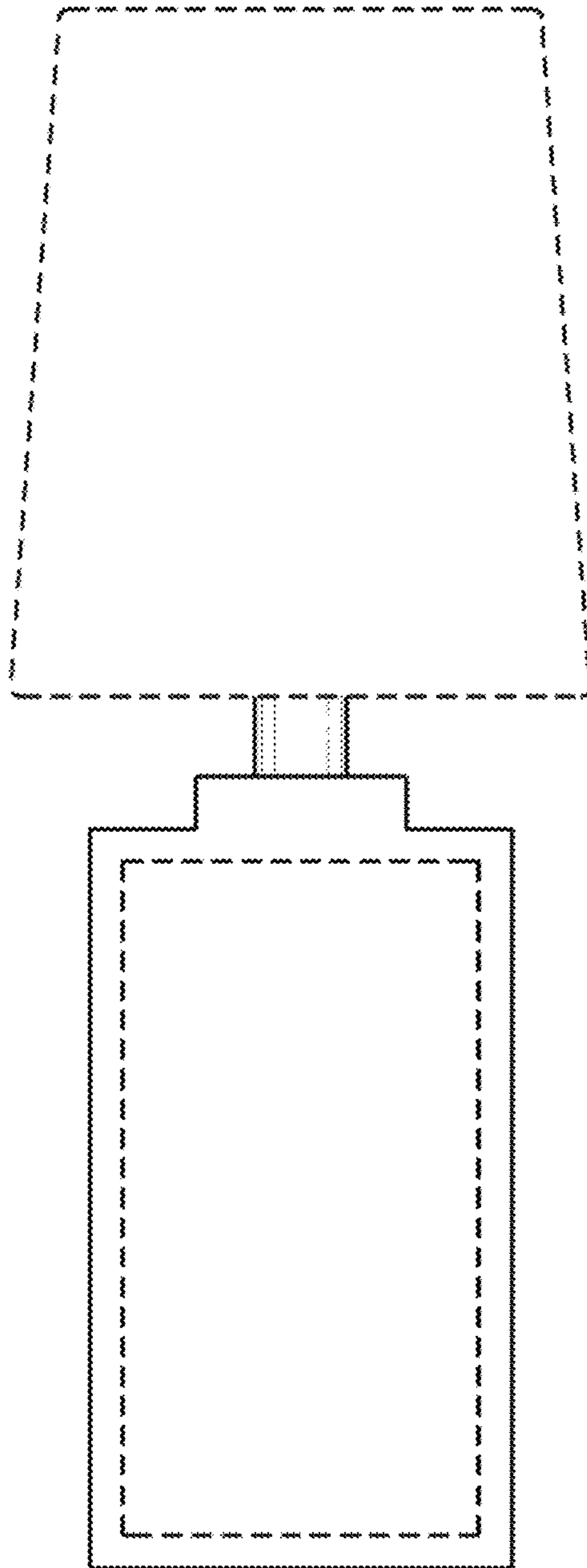


FIG. 3

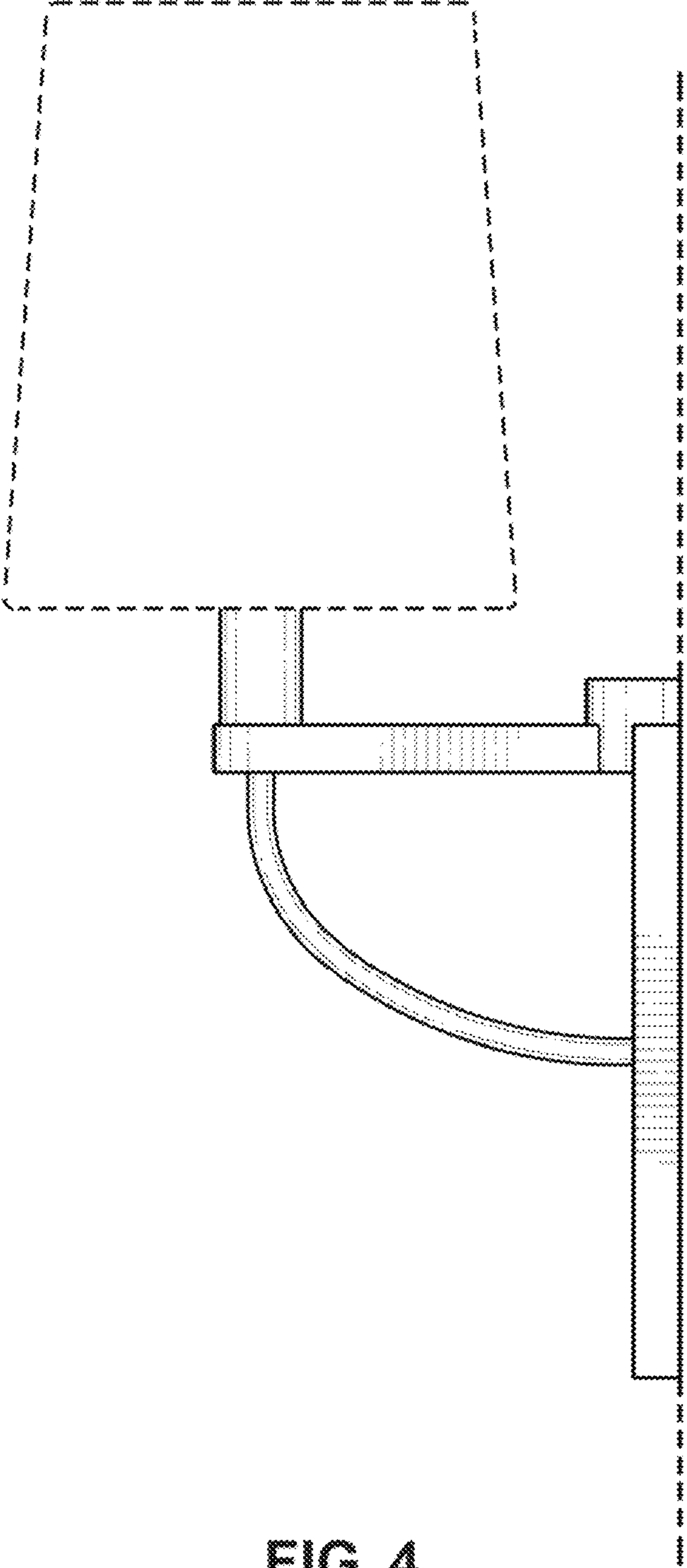


FIG. 4

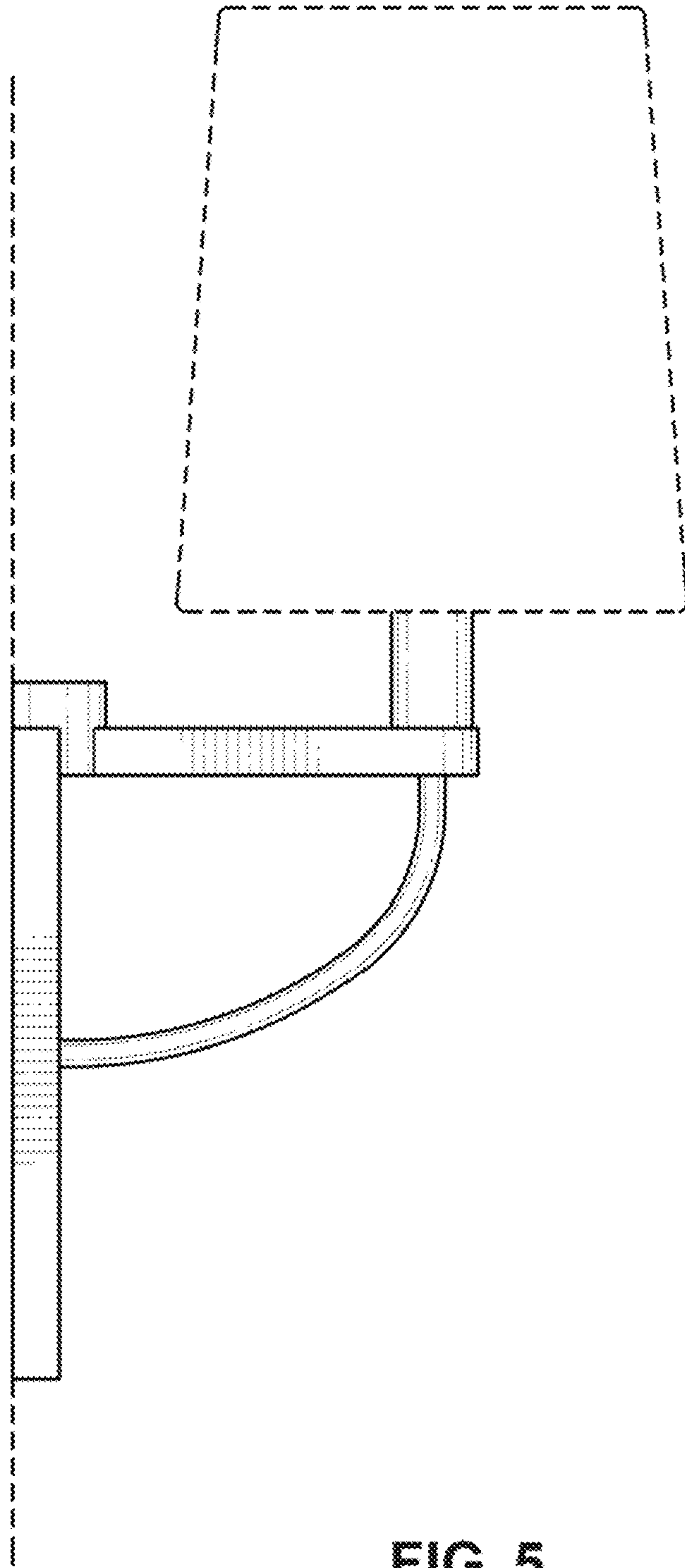


FIG. 5

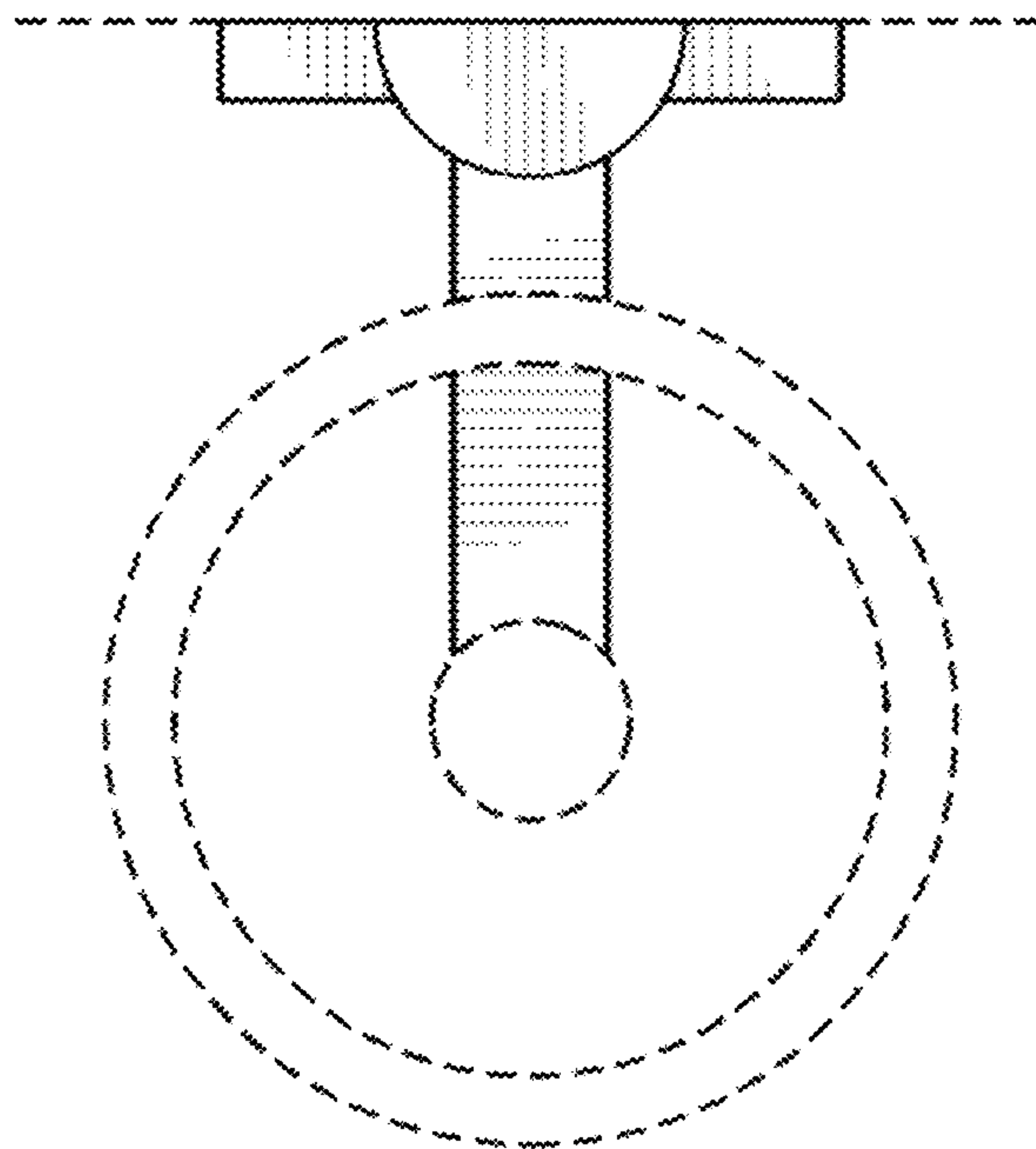


FIG. 6



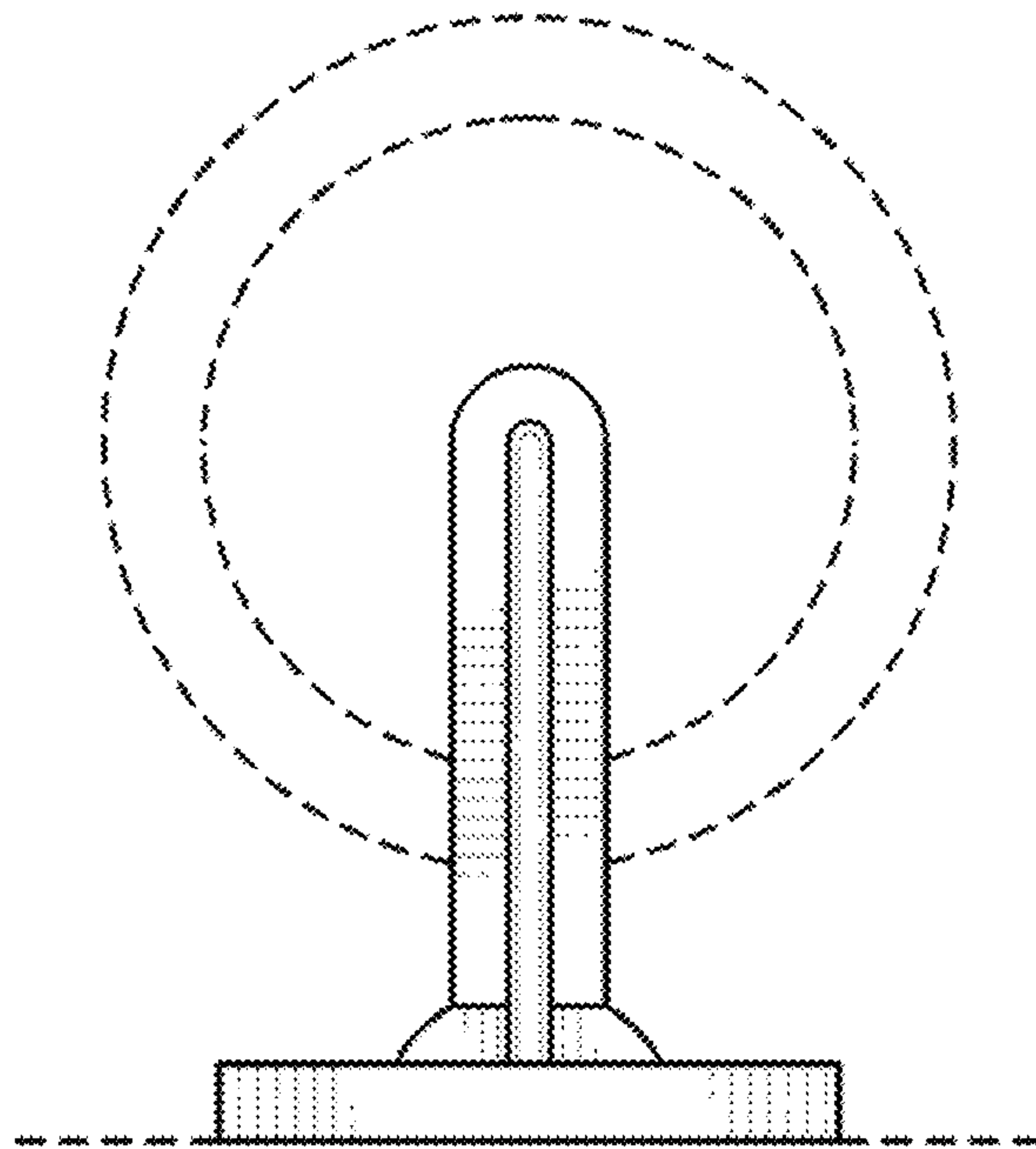


FIG. 7



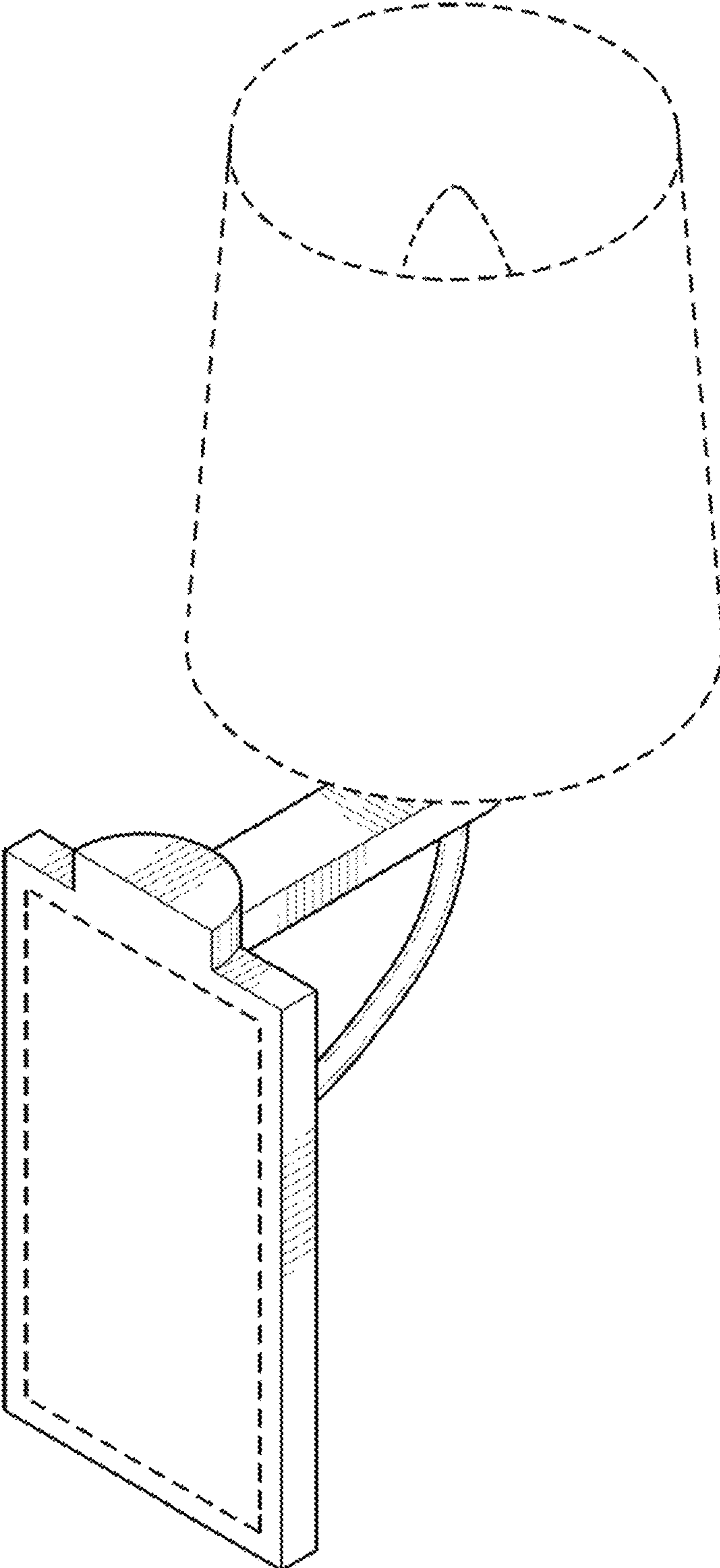


FIG. 8

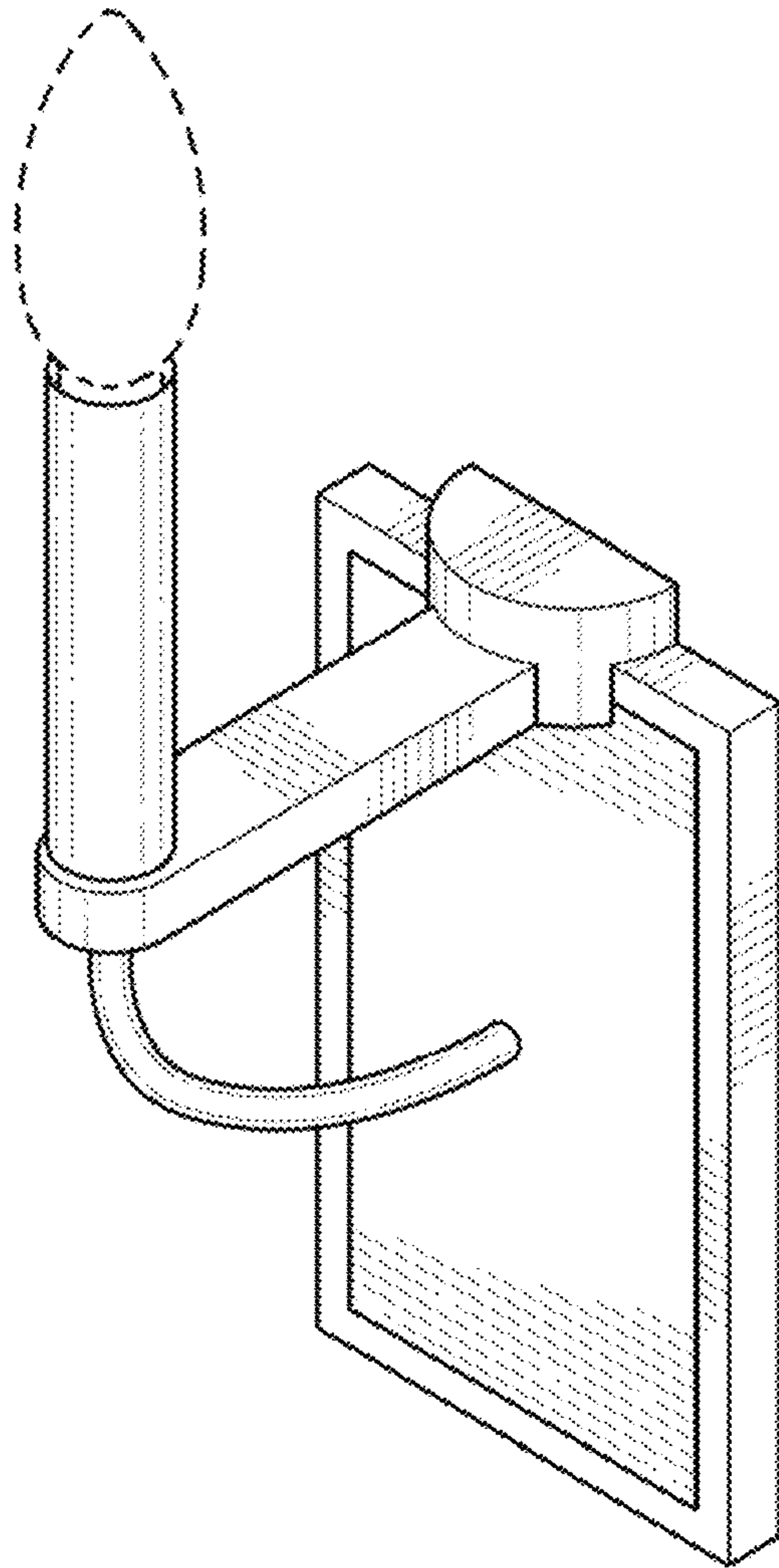


FIG. 9