



US00D826458S

(12) **United States Design Patent**
Amato et al.

(10) **Patent No.:** **US D826,458 S**

(45) **Date of Patent:** **** Aug. 21, 2018**

(54) **LIGHTING FIXTURE**

(71) Applicant: **The Urban Electric Company**, North Charleston, SC (US)

(72) Inventors: **Michael Amato**, Johns Island, SC (US); **David Dawson**, Charleston, SC (US); **Jonathan Charpia**, Summerville, SC (US); **Christopher Roof**, Charleston, SC (US); **Joeangel Casanova**, North Charleston, SC (US); **Courteney Salsbury**, Mount Pleasant, SC (US); **Brianna Magagnoli**, Charleston, SC (US)

(73) Assignee: **The Urban Electric Company**, North Charleston, SC (US)

(**) Term: **15 Years**

(21) Appl. No.: **29/594,990**

(22) Filed: **Feb. 24, 2017**

(51) **LOC (11) Cl.** **26-05**

(52) **U.S. Cl.**
USPC **D26/87**

(58) **Field of Classification Search**
USPC D26/72, 80-89, 92, 61-63
CPC .. F21S 8/033; F21S 8/036; F21S 8/038; F21S 9/037; F21W 2121/004; F21W 2131/107; F21V 21/02
See application file for complete search history.

(56) **References Cited**

U.S. PATENT DOCUMENTS

D104,036 S * 4/1937 Kanter D26/66
4,736,278 A * 4/1988 Wolens F21S 6/002
362/124

D373,650 S * 9/1996 Yeh D26/107
D573,750 S * 7/2008 Starck D26/87
D605,331 S * 12/2009 Miranda D26/87

OTHER PUBLICATIONS

Brass Nook Pivoting Wall Sconce, World Market, earliest review date—Sep. 27, 2016, site visited Mar. 22, 2018, available online at <https://www.worldmarket.com/product/brass+nook+pivoting+wall+sconce.do?sortby=ourPicks&from=fn> (Year: 2016).*

Swivel Wall Lights (1st and 4th images of lights), Timbeyers, Oct. 6, 2017, site visited Mar. 22, 2018, available online at <http://www.timbeyers.me/swivel-wall-light/> (Year: 2017).*

* cited by examiner

Primary Examiner — Cathron C Brooks

(74) *Attorney, Agent, or Firm* — Jeffrey T. Stover; Haynsworth Sinkler Boyd, P.A.

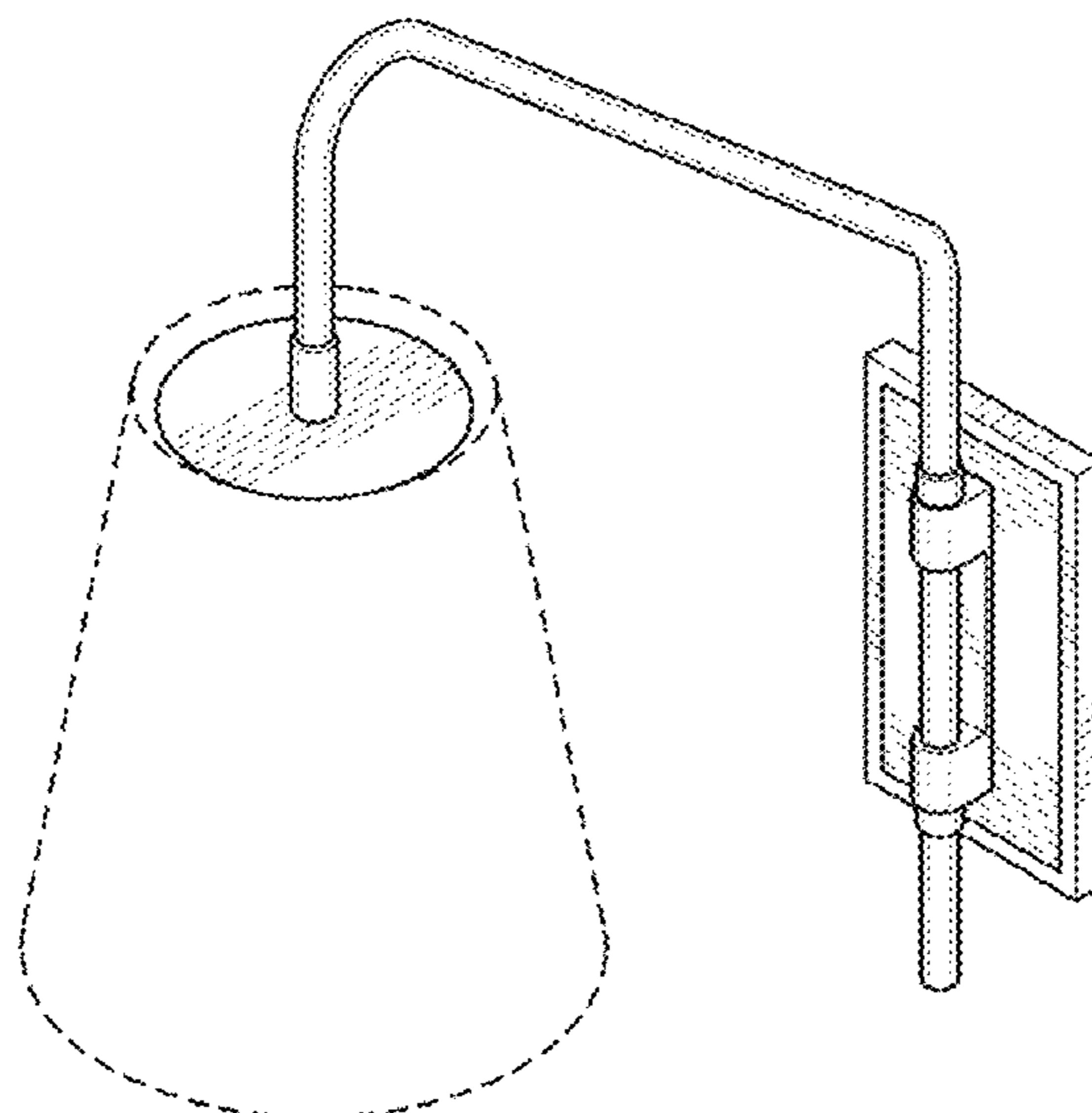
(57) **CLAIM**

The ornamental design for a lighting fixture, as shown and described.

DESCRIPTION

FIG. 1 is a top-front perspective view of a lighting fixture showing the new design;
FIG. 2 is a front elevational view thereof;
FIG. 3 is a back elevational view thereof.
FIG. 4 is a right side elevational view thereof;
FIG. 5 is a left side elevational view thereof;
FIG. 6 is a top plan view thereof;
FIG. 7 is a bottom plan view thereof; and,
FIG. 8 is a top-rear perspective view thereof.
The broken line disclosure in the views represents environmental structure which forms no part of the claimed design.

1 Claim, 8 Drawing Sheets



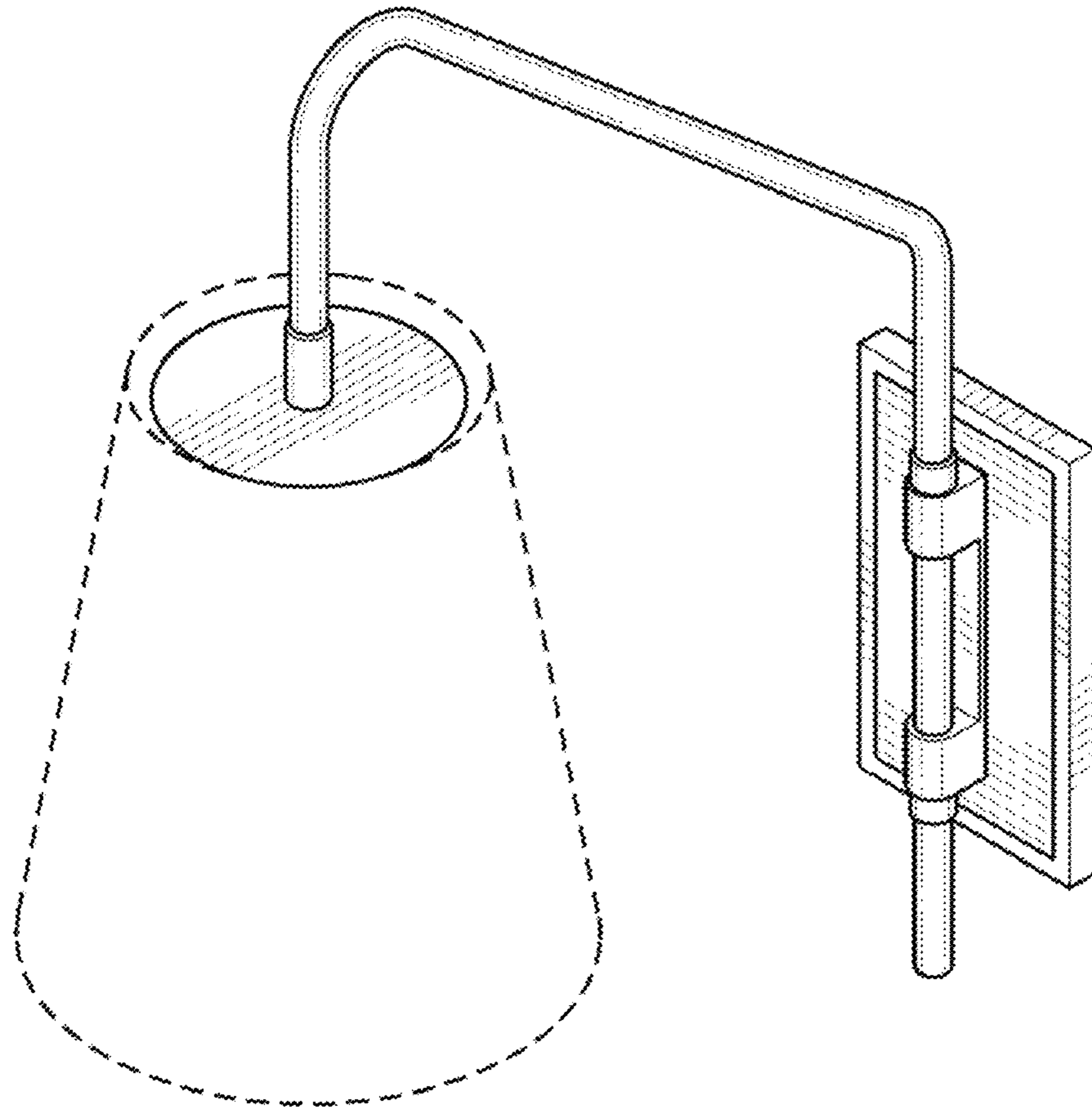


FIG. 1

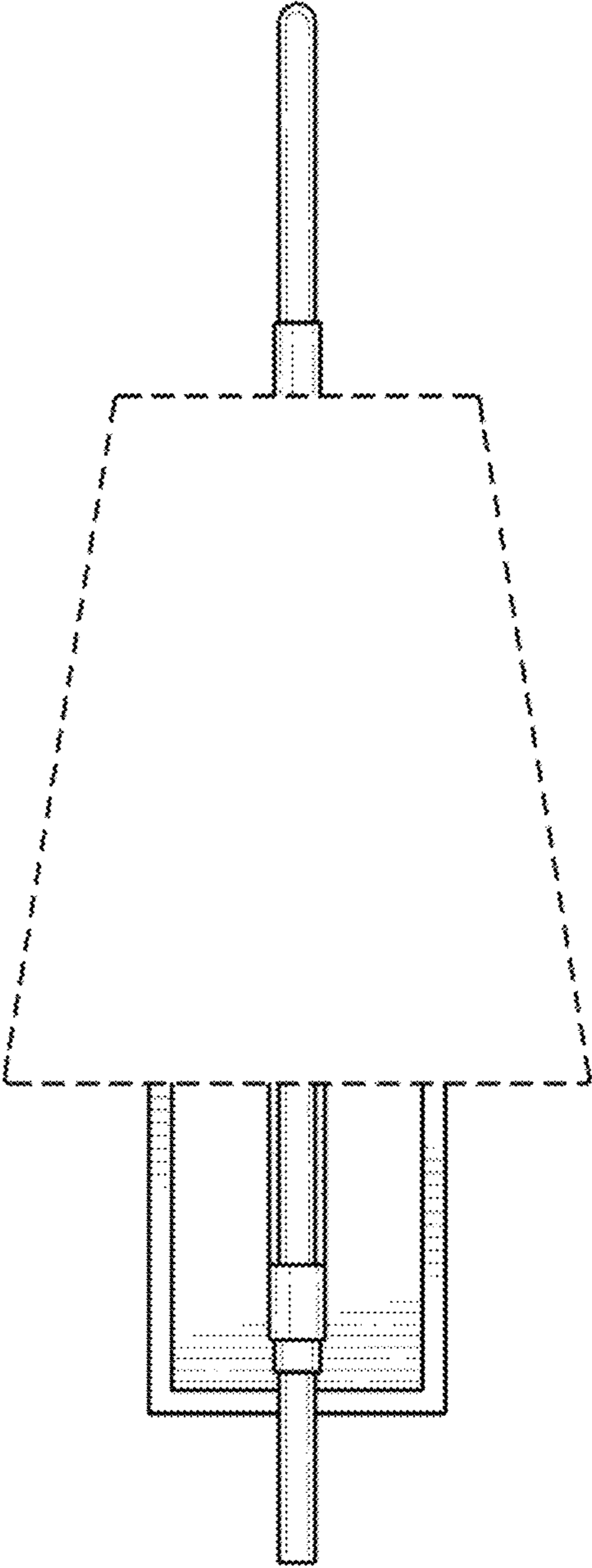


FIG. 2

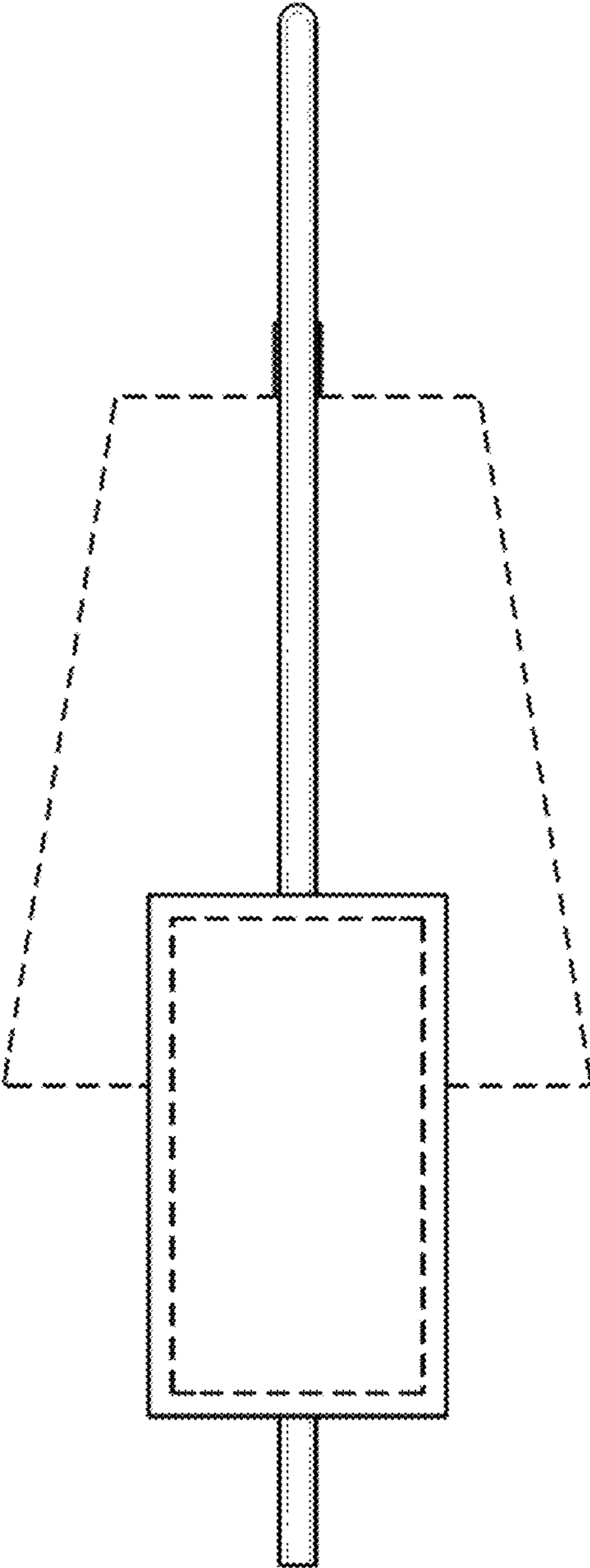


FIG. 3

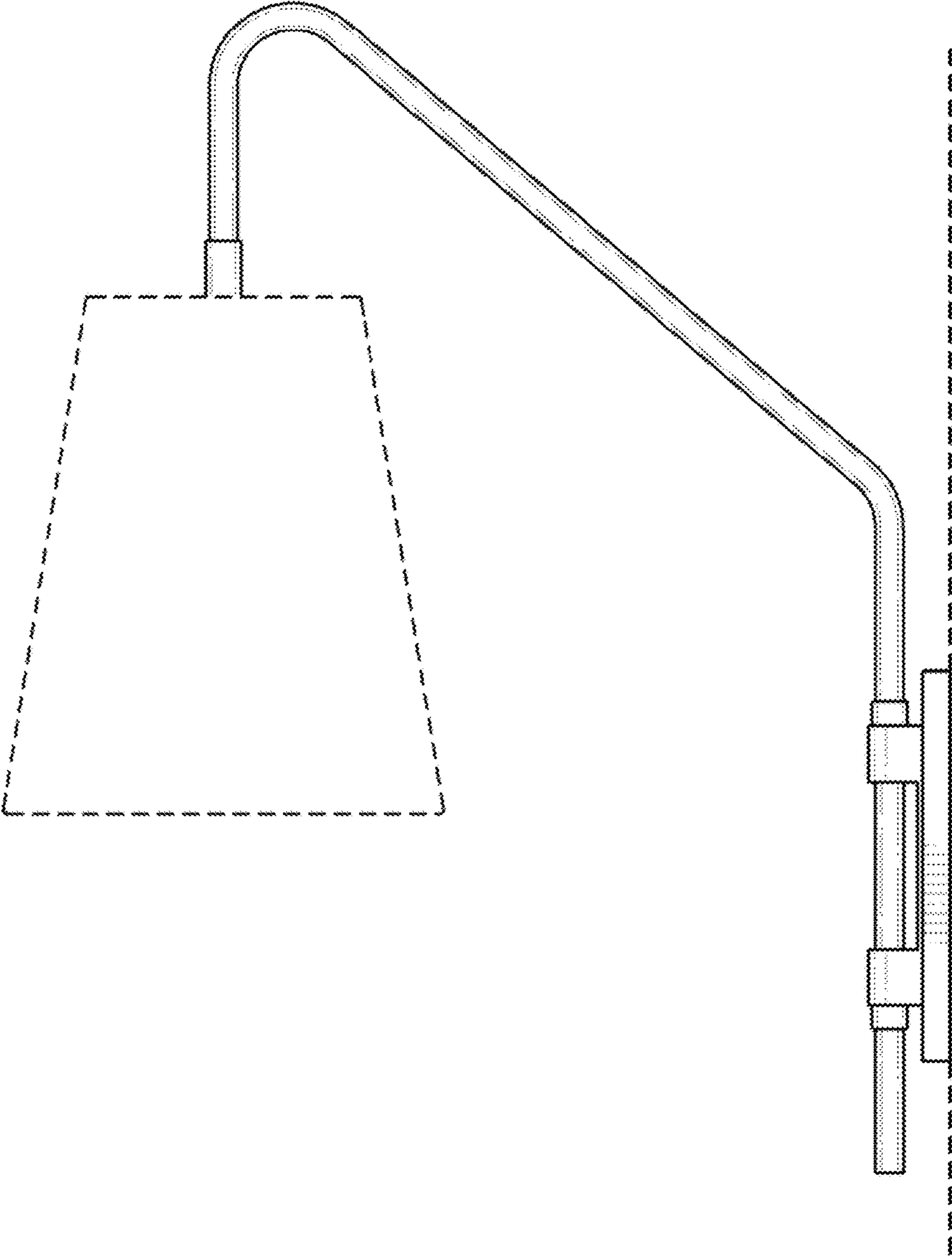


FIG. 4

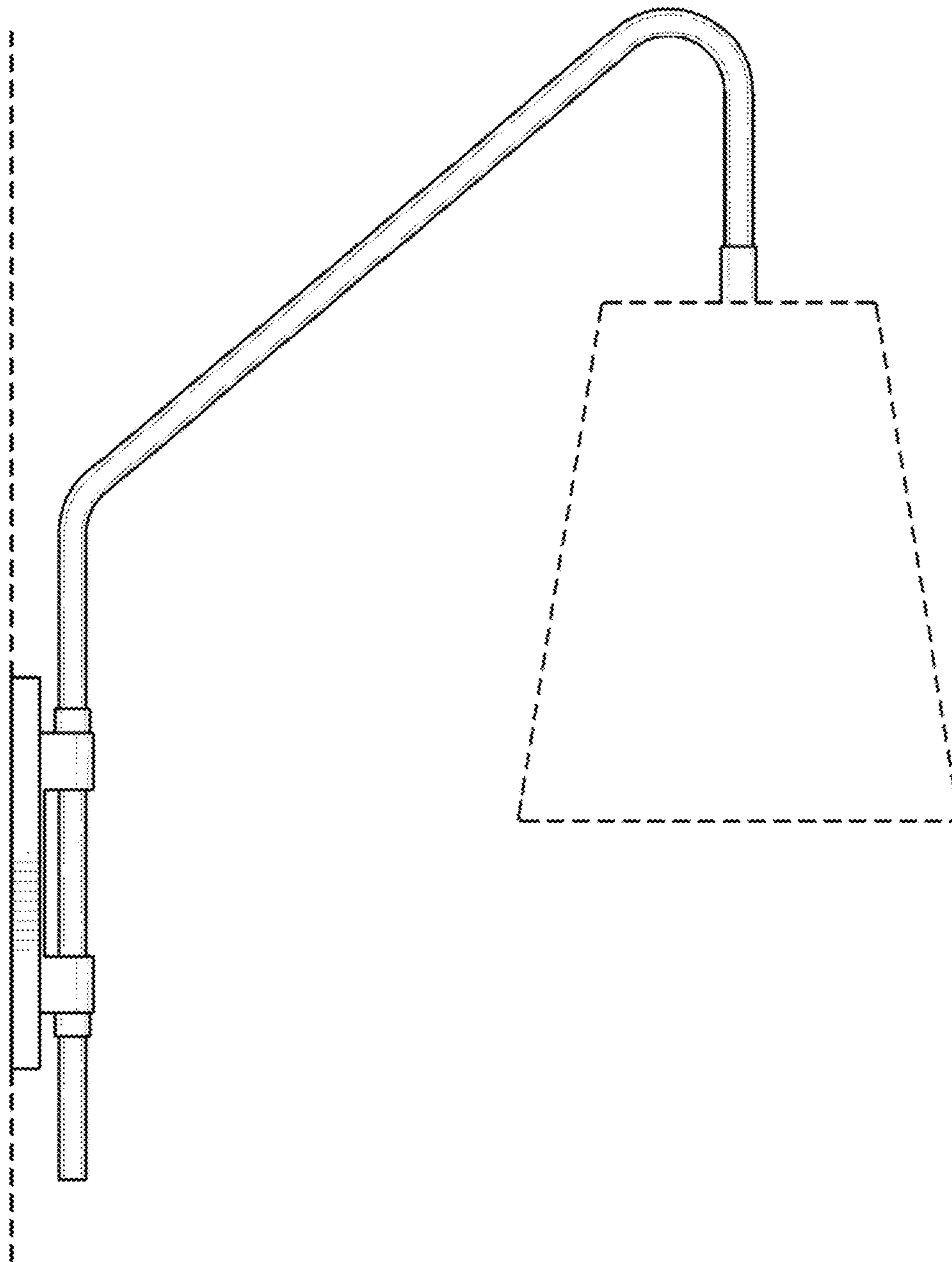


FIG. 5

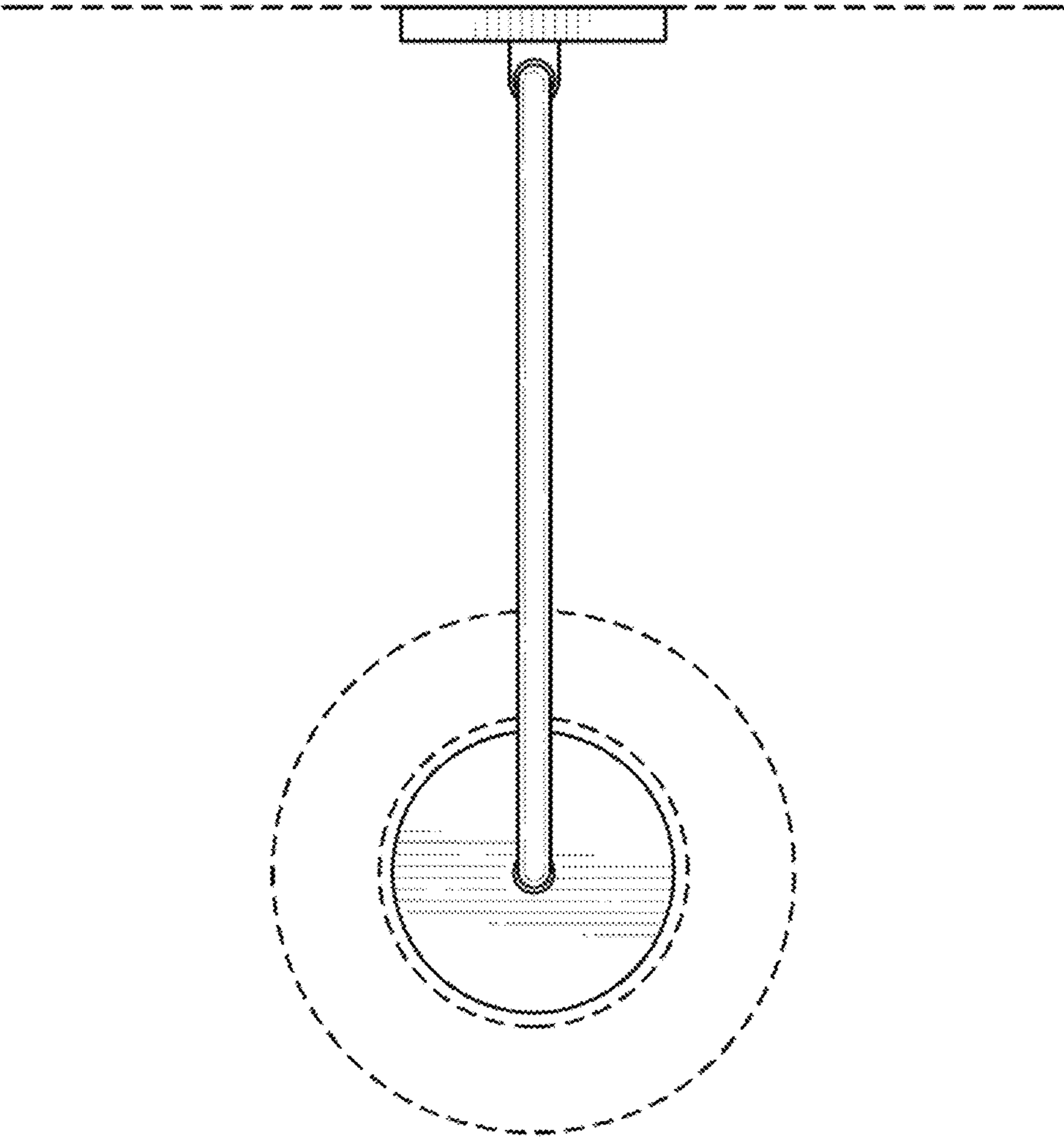


FIG. 6

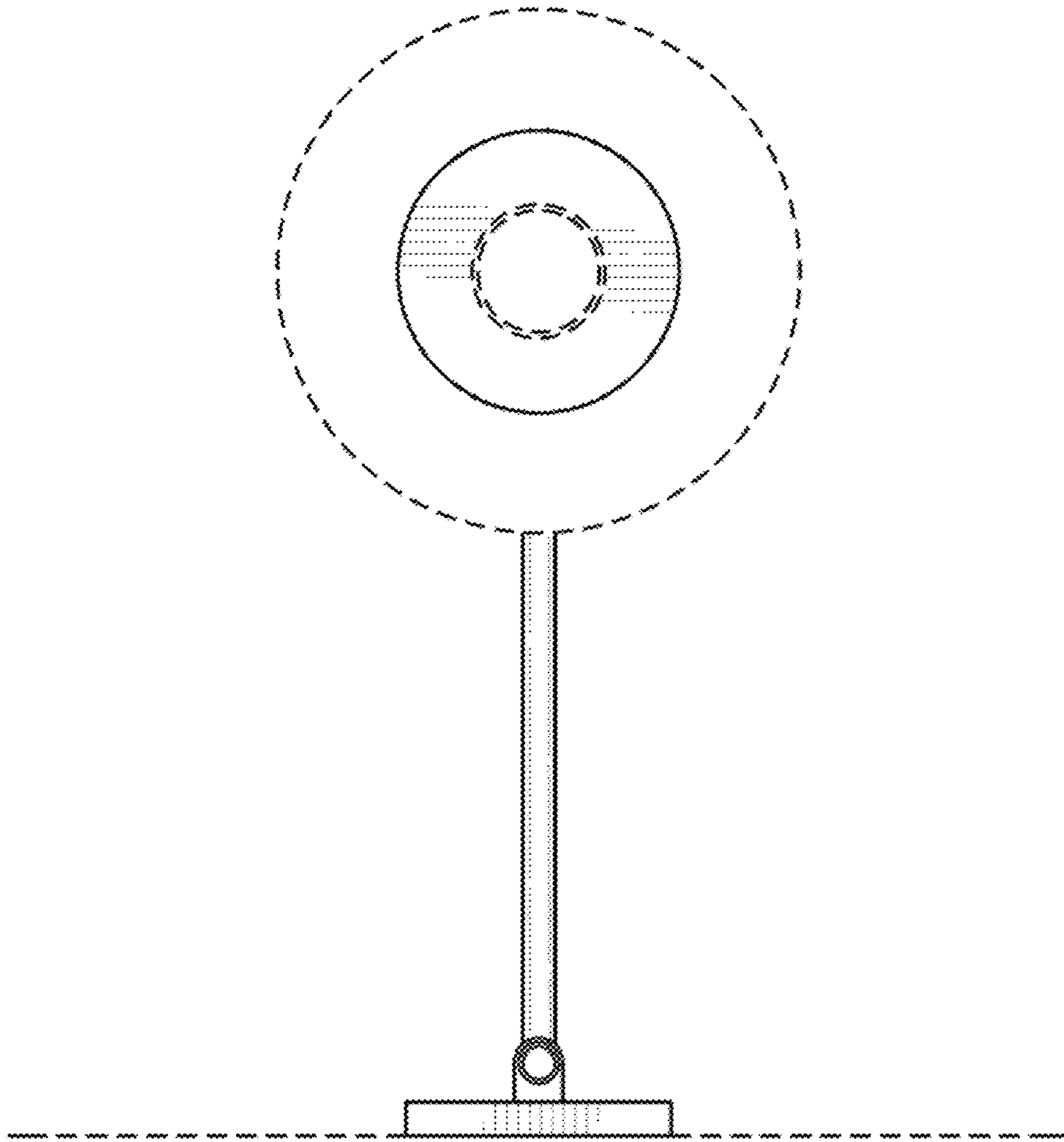


FIG. 7

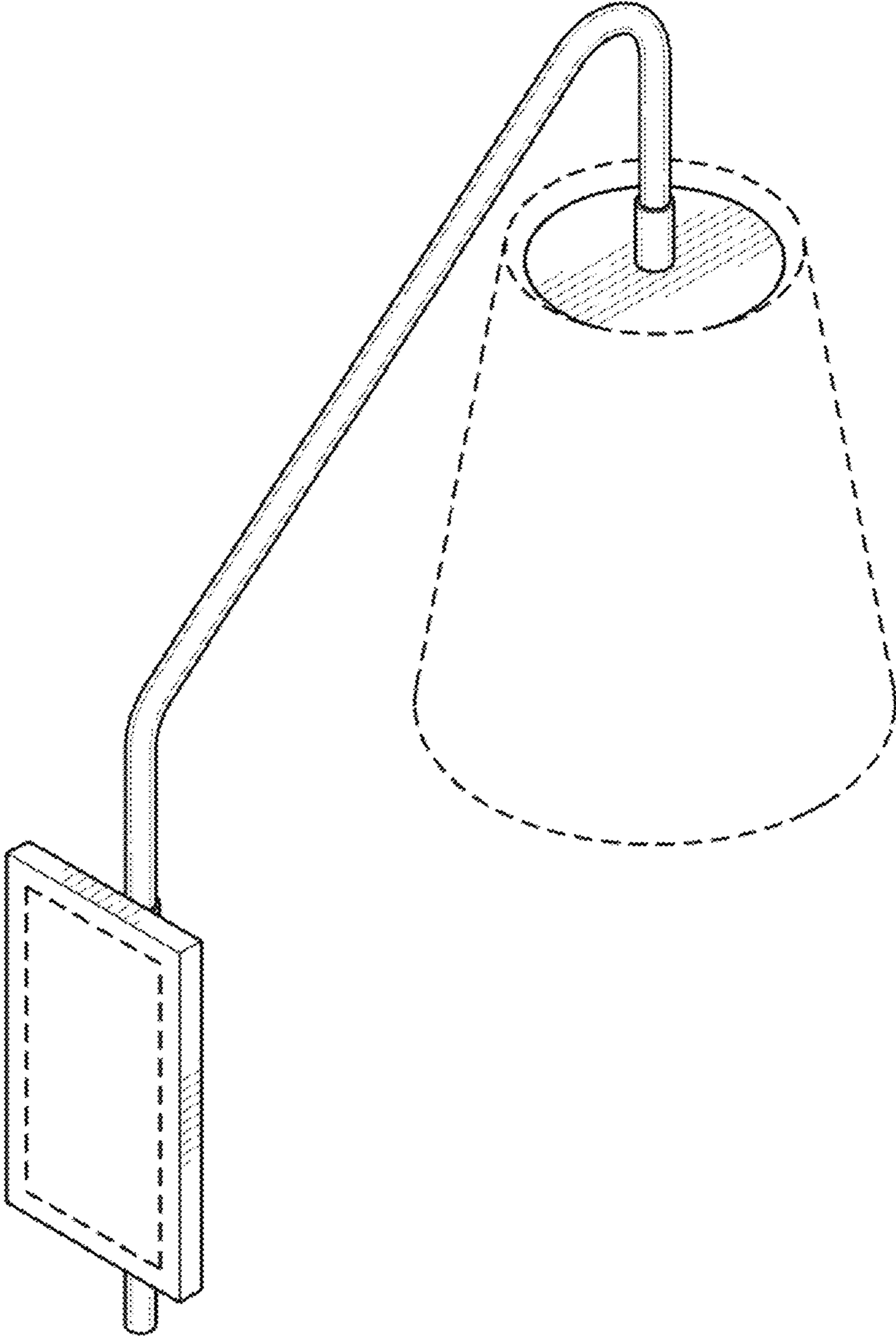


FIG. 8