

US00D826457S

(12) **United States Design Patent**  
**Amato et al.**

(10) **Patent No.:** **US D826,457 S**  
(45) **Date of Patent:** **\*\* Aug. 21, 2018**

(54) **LIGHTING FIXTURE**

(71) Applicant: **The Urban Electric Company**, North Charleston, SC (US)

(72) Inventors: **Michael Amato**, Johns Island, SC (US); **David Dawson**, Charleston, SC (US); **Jonathan Charpia**, Summerville, SC (US); **Christopher Roof**, Charleston, SC (US); **Joeangel Casanova**, North Charleston, SC (US); **Courteney Salisbury**, Mount Pleasant, SC (US); **Brianna Magagnoli**, Charleston, SC (US)

(73) Assignee: **The Urban Electric Company**, North Charleston, SC (US)

(\*\*) Term: **15 Years**

(21) Appl. No.: **29/594,988**

(22) Filed: **Feb. 24, 2017**

(51) **LOC (11) Cl.** ..... **26-05**

(52) **U.S. Cl.**  
USPC ..... **D26/86; D26/87**

(58) **Field of Classification Search**  
USPC ..... D26/72, 80-89, 92, 61-63  
CPC .. F21S 8/033; F21S 8/036; F21S 8/038; F21S 9/037; F21W 2121/004; F21W 2131/107; F21V 21/02  
See application file for complete search history.

(56) **References Cited**

**U.S. PATENT DOCUMENTS**

D340,780 S \* 10/1993 Porter ..... D26/145  
D391,662 S \* 3/1998 Miranda ..... D26/87  
D536,471 S \* 2/2007 Matons ..... D26/87

7,354,171 B2 \* 4/2008 Pazula ..... F21V 21/02 362/135  
D643,563 S \* 8/2011 Gilad ..... D26/87  
D730,561 S \* 5/2015 Loebach ..... D26/84

**OTHER PUBLICATIONS**

Everett Two Arm Sconce, Pure Salt Interiors, May 15, 2016, site visited Mar. 23, 2018, available online at <http://www.puresaltinteriors.com/pure-salt-interiors/2016/5/15/our-top-10-sconce-picks> (Year: 2016).\*  
Abrams Double Sconce, Schoolhouse Electric, (c) 2018, site visited Mar. 23, 2018, available online at <https://www.schoolhouse.com/products/abrams-double-sconce-225> (Year: 2018).\*  
Sylvan 2 Light Sconce, Crystorama, (c) 2014, site visited Mar. 23, 2018, available online at <https://www.crystorama.com/libby-langdon-for-crystorama-sylvan-2-light-polished-nickel-...> (Year: 2014).\*

(Continued)

*Primary Examiner* — Cathron C Brooks

(74) *Attorney, Agent, or Firm* — Jeffrey T. Stover; Haynesworth Sinkler Boyd, P.A.

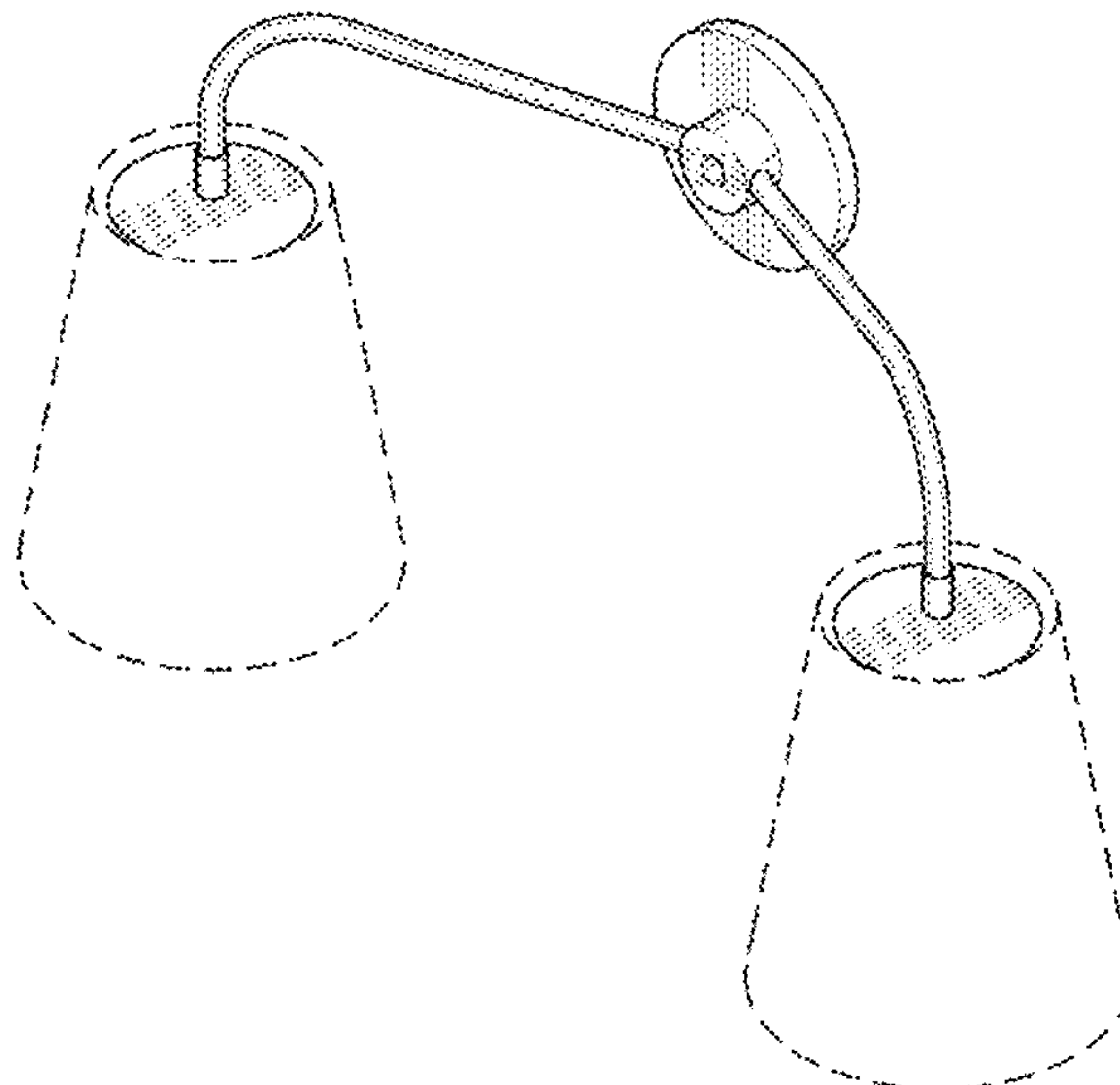
(57) **CLAIM**

The ornamental design for a lighting fixture, as shown and described.

**DESCRIPTION**

FIG. 1 is a top-front perspective view of a lighting fixture showing the new design;  
FIG. 2 is a front elevational view thereof;  
FIG. 3 is a back elevational view thereof.  
FIG. 4 is a right side elevational view thereof;  
FIG. 5 is a left side elevational view thereof;  
FIG. 6 is a top plan view thereof;  
FIG. 7 is a bottom plan view thereof; and,  
FIG. 8 is a top-rear perspective view thereof.  
The broken line disclosure in the views represents environmental structure which forms no part of the claimed design.

**1 Claim, 8 Drawing Sheets**



(56)

**References Cited**

OTHER PUBLICATIONS

Two-arm Hirondelle wall light, Jean Royere, circa 1950, artnet.com, site visited Mar. 23, 2018, available online at <http://www.artnet.com/artists/jean-royere/two-arm-hirondelle-wall-lights-2-works-Zdefr53nZZbuGjkkI0HMyg2> (Year: 1950).\*

Royere 2 arms wall sconce, Incollect.com, 2017, site visited Mar. 23, 2018, available online at <https://www.incollect.com/listings/furniture/lighting/jean-roy-re-royere-double-arm-sconce-193930> (Year: 2017).\*

\* cited by examiner

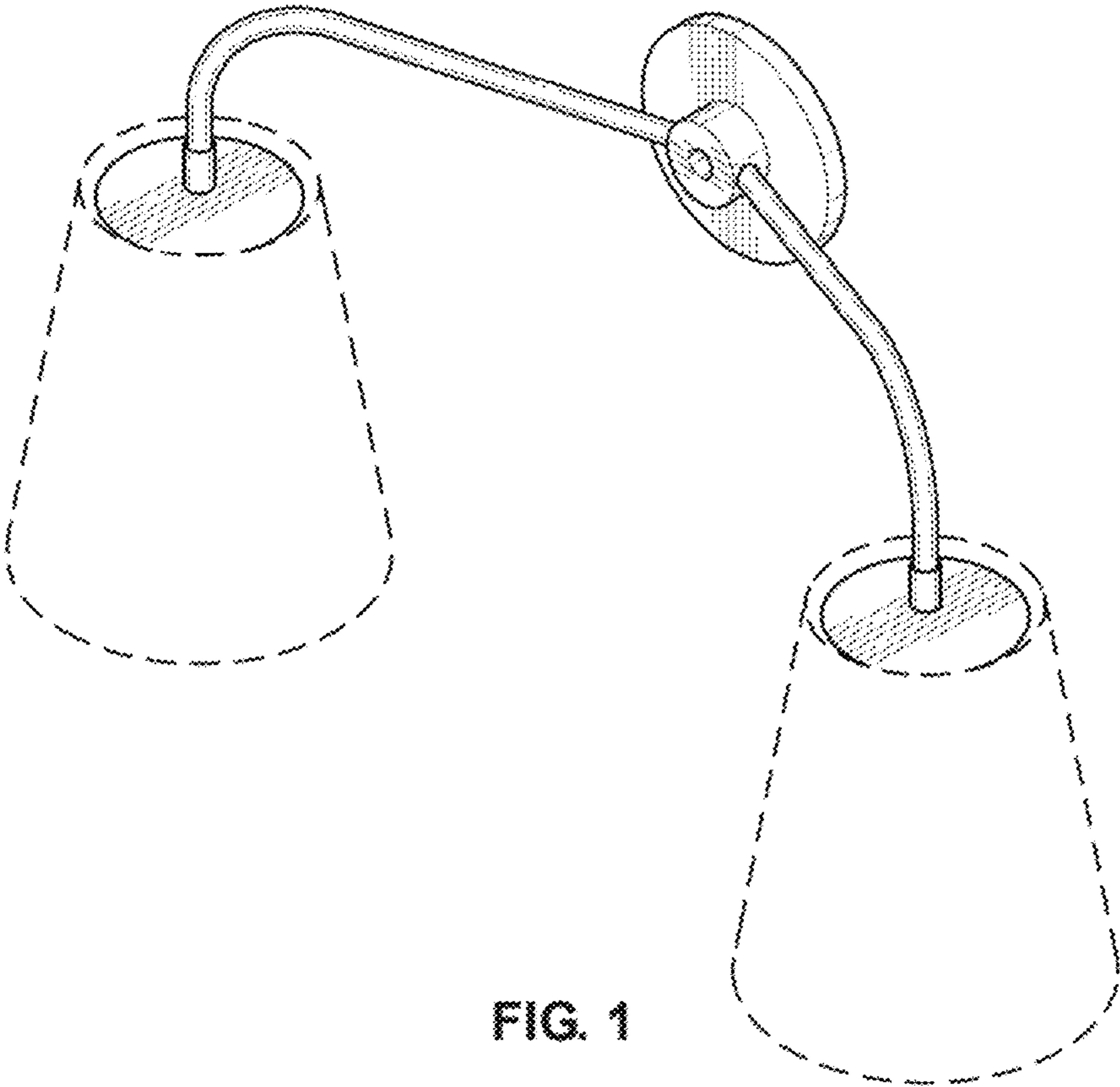


FIG. 1

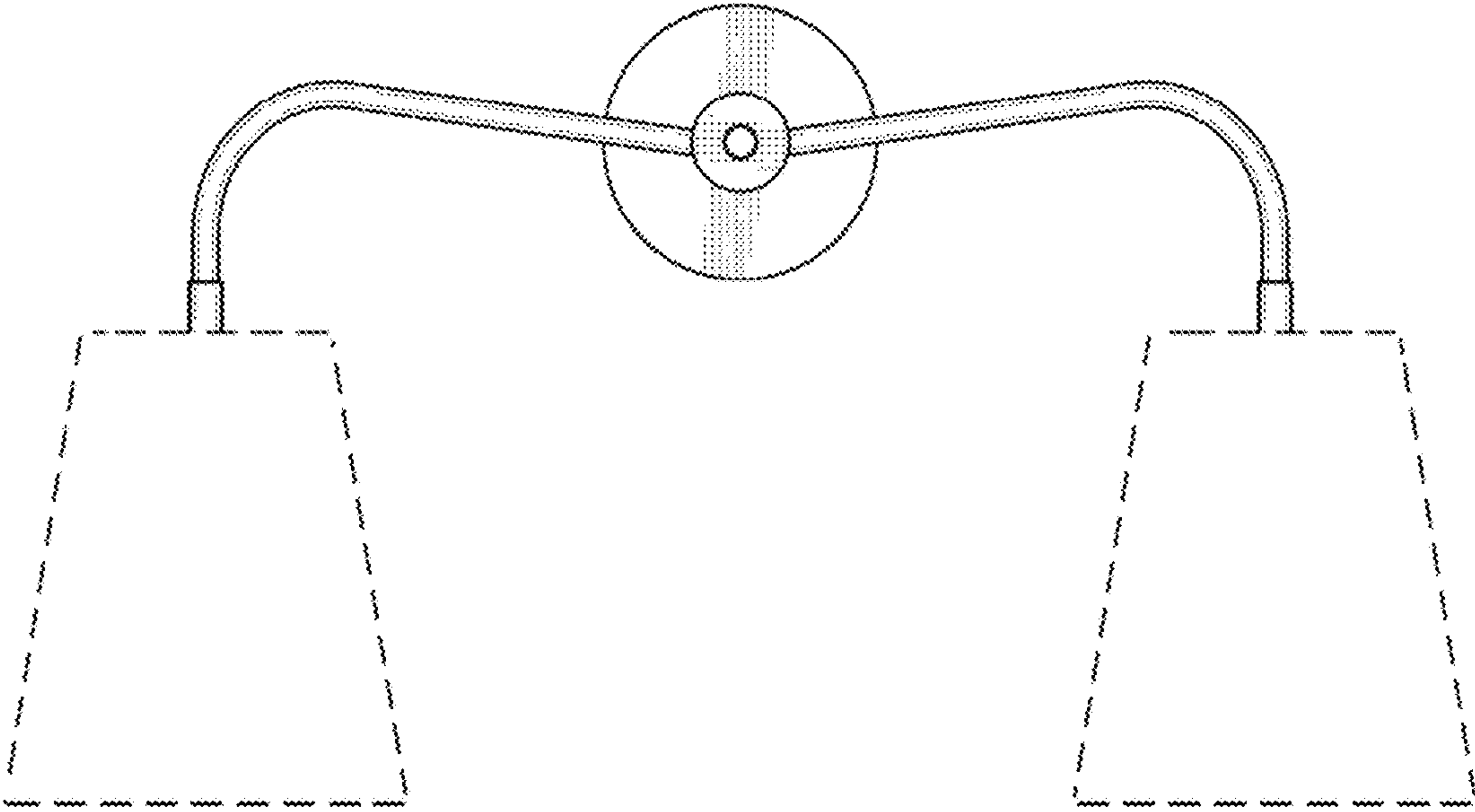


FIG. 2

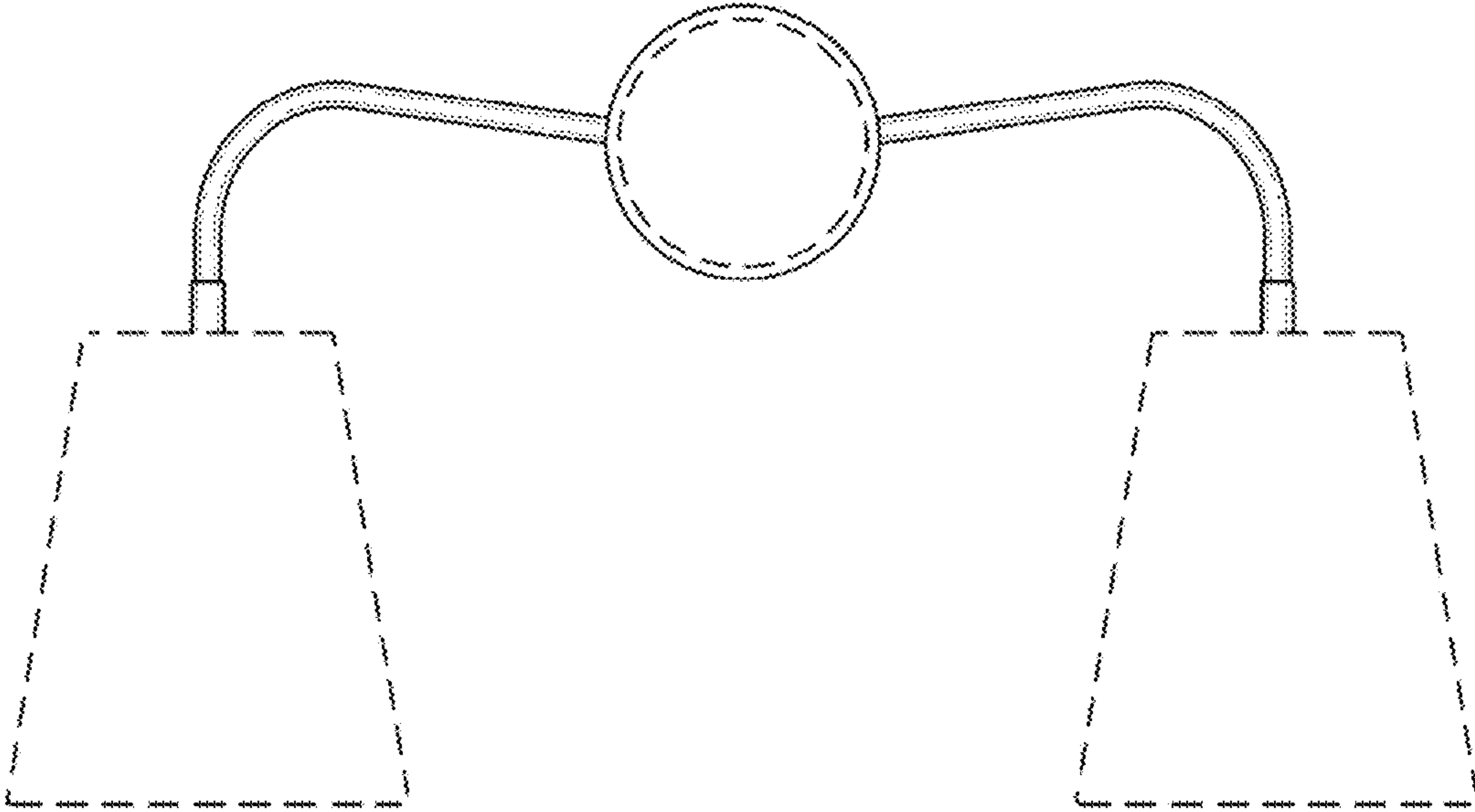


FIG. 3

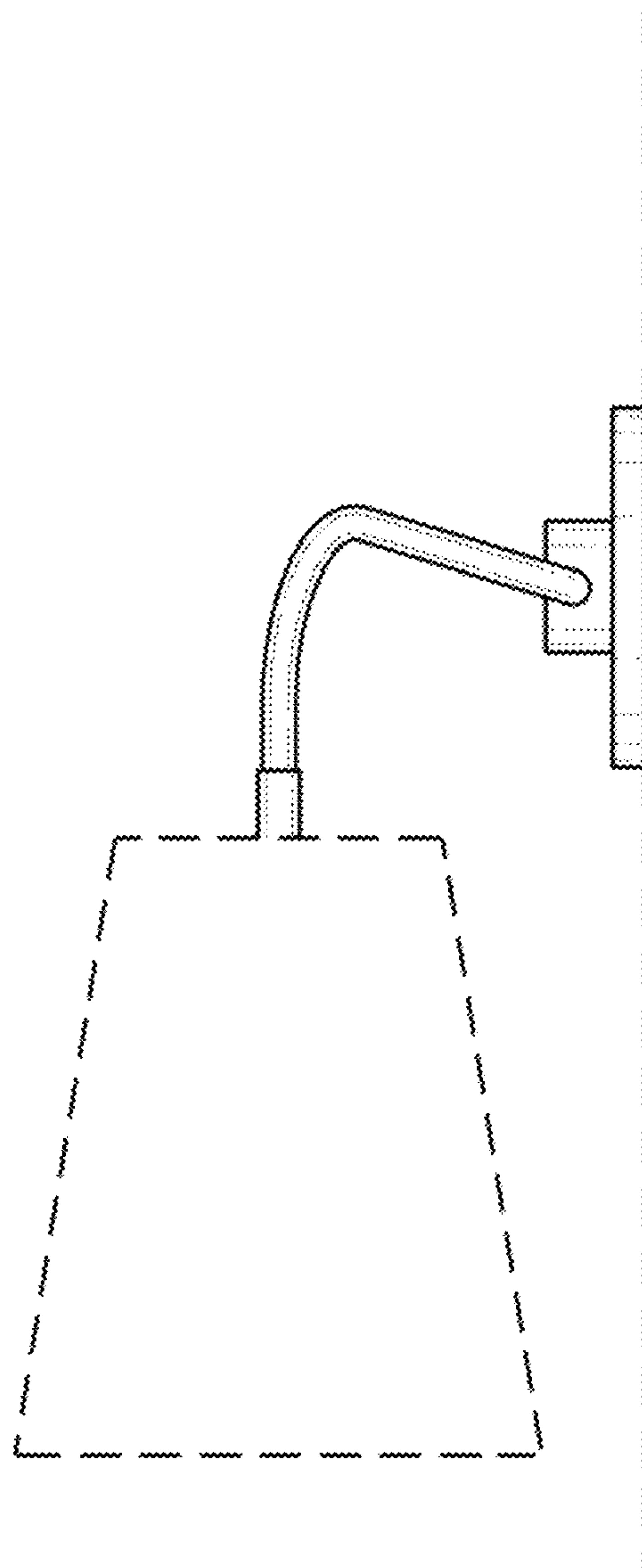


FIG. 4

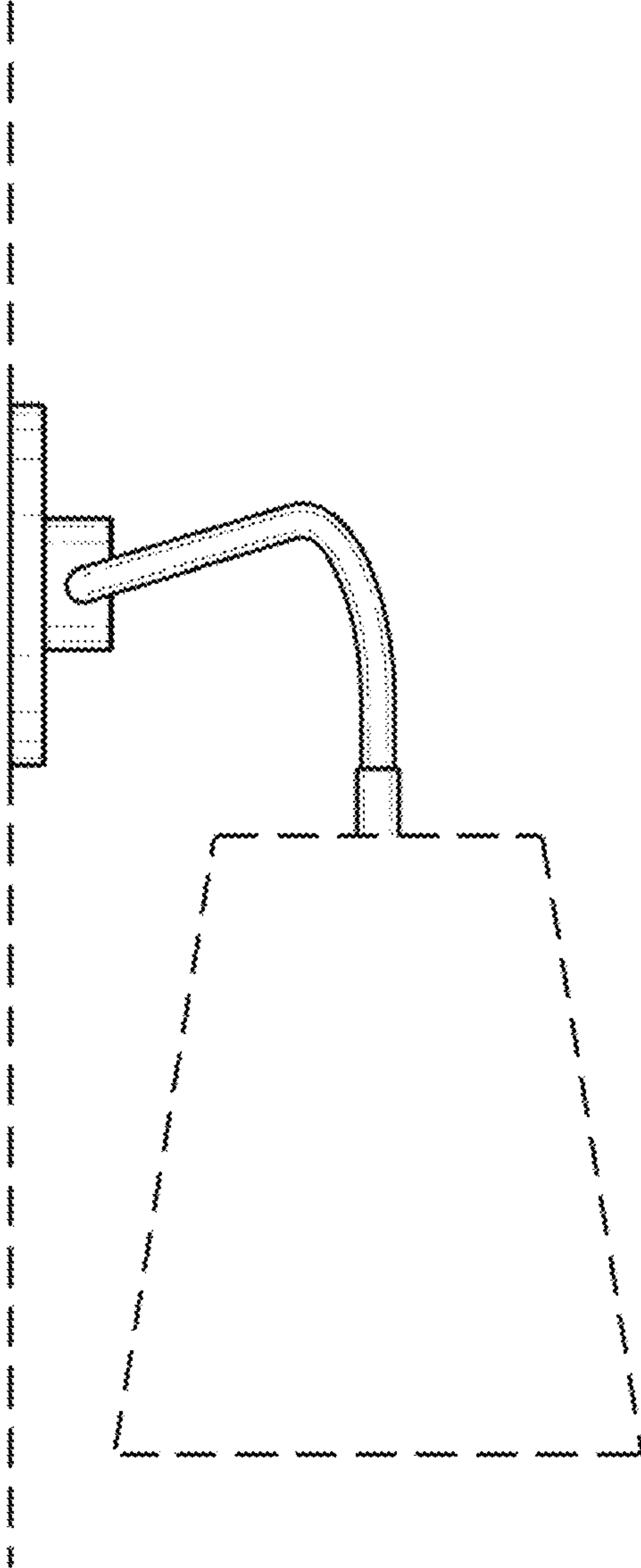


FIG. 5

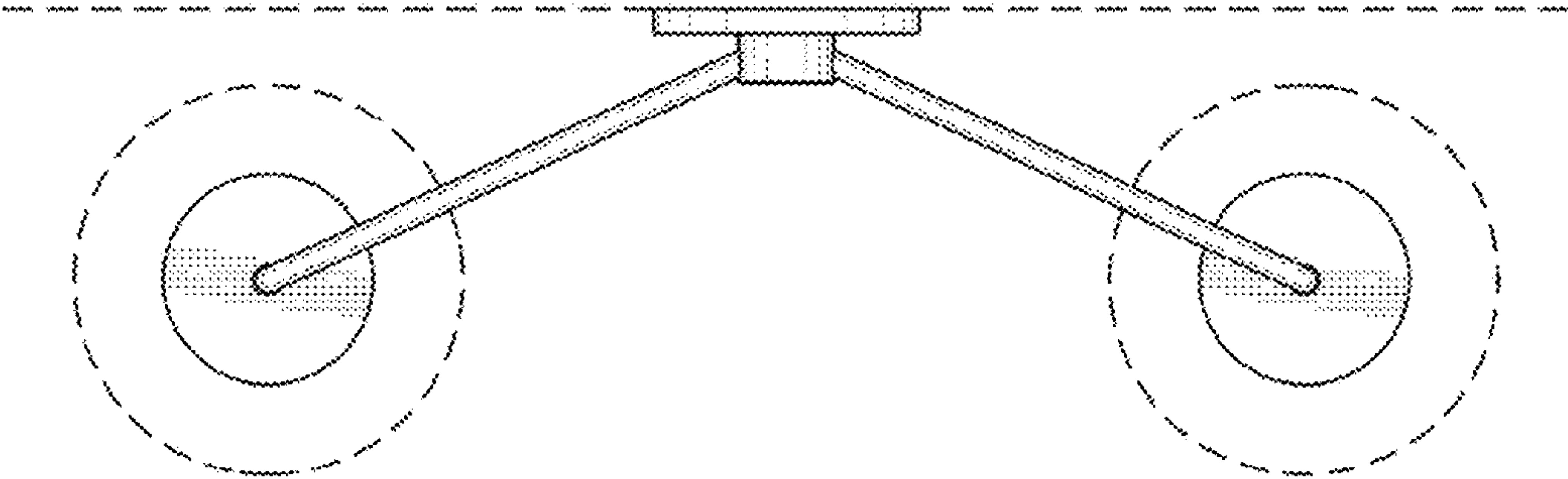


FIG. 6



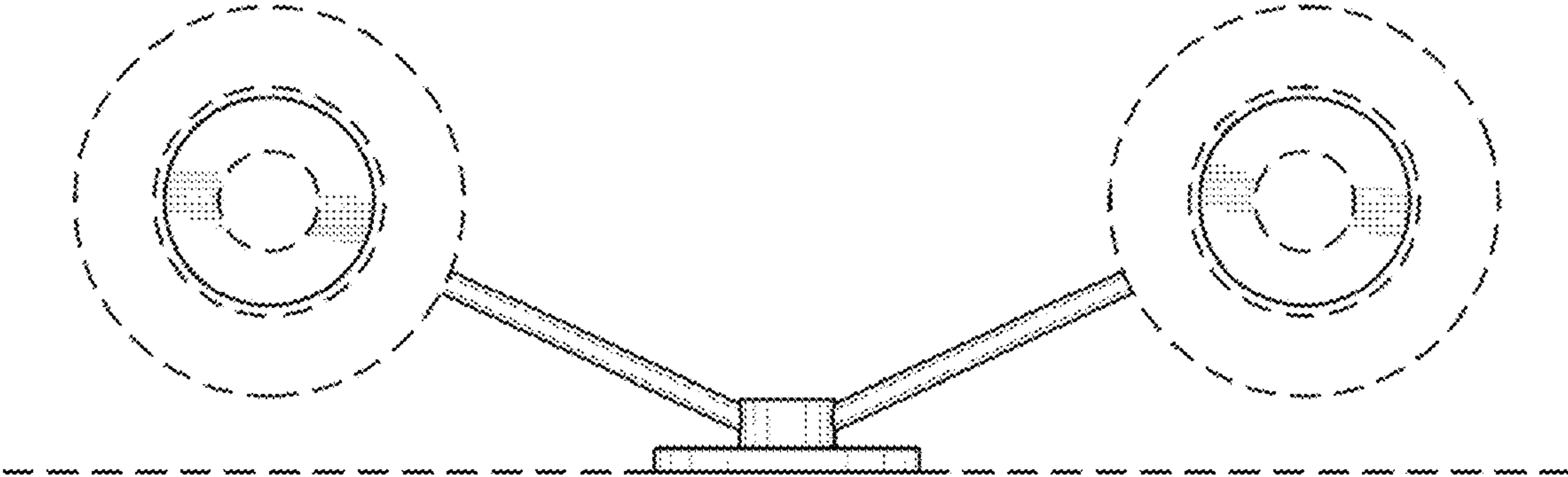


FIG. 7

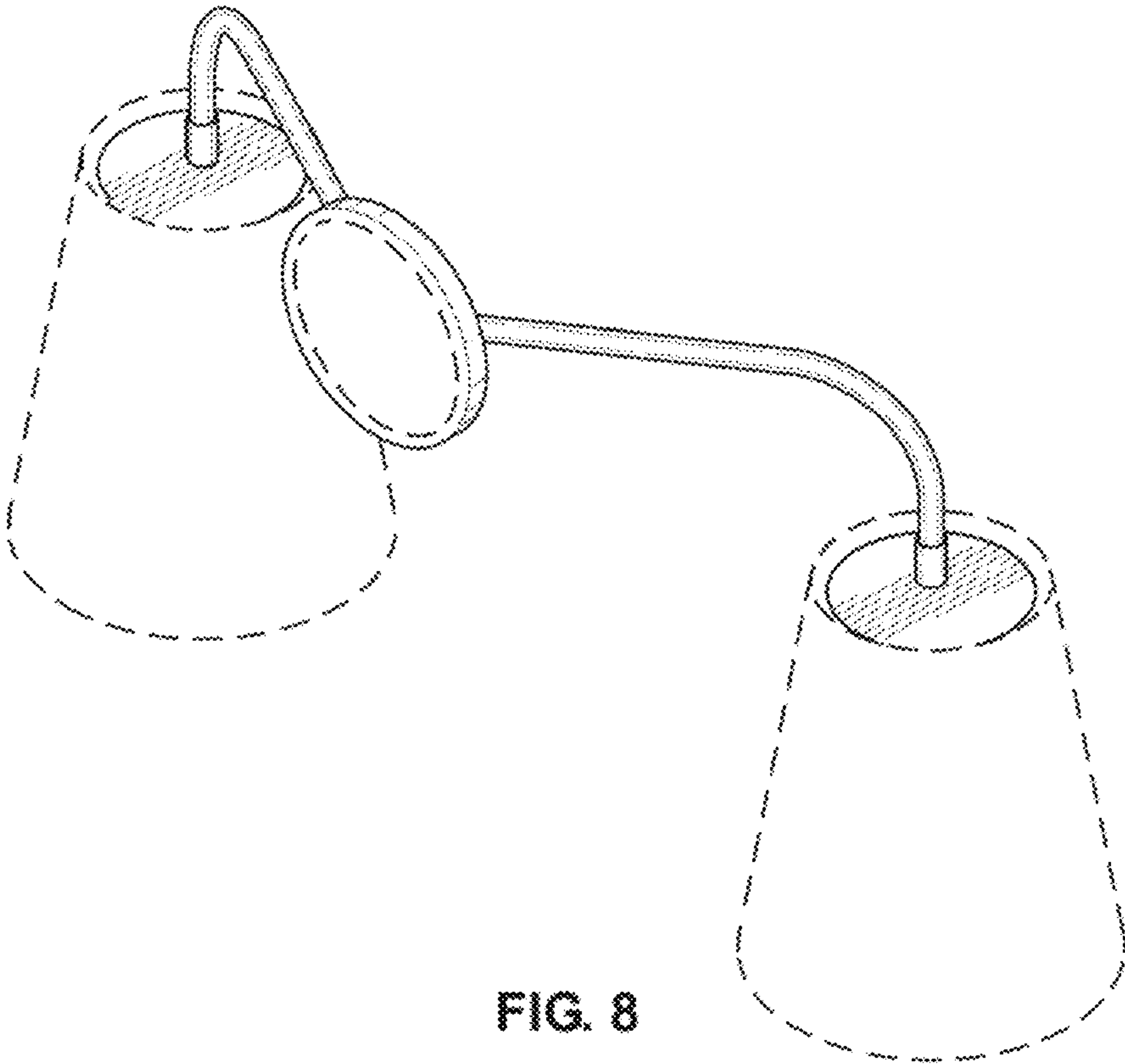


FIG. 8