



US00D826456S

(12) **United States Design Patent**
Sonneman

(10) **Patent No.:** **US D826,456 S**
(45) **Date of Patent:** **** Aug. 21, 2018**

- (54) **LIGHT FIXTURE**
- (71) Applicant: **Robert A. Sonneman**, Mamaroneck, NY (US)
- (72) Inventor: **Robert A. Sonneman**, Mamaroneck, NY (US)
- (73) Assignee: **CONTEMPORARY VISIONS, LLC**, Larchmont, NY (US)

6,652,113 B2 * 11/2003 Tant F21S 8/033
362/147
D581,086 S * 11/2008 Starck D26/78
D670,848 S * 11/2012 Reo D26/68
D672,080 S * 12/2012 Wauters D26/85
D679,437 S * 4/2013 Watt D26/74
8,770,801 B1 * 7/2014 Berns F21S 8/083
362/296.01
D711,036 S * 8/2014 Salomon D26/74
D747,532 S * 1/2016 Gough D26/85
D787,733 S 5/2017 Sonneman

(Continued)

(**) Term: **15 Years**

- (21) Appl. No.: **29/629,186**
- (22) Filed: **Dec. 12, 2017**
- (51) **LOC (11) Cl.** **26-03**
- (52) **U.S. Cl.**
USPC **D26/85**
- (58) **Field of Classification Search**
USPC D26/67, 68, 72, 74, 80, 82, 83, 85, 86,
D26/87, 92
CPC .. F21S 8/033; F21S 8/035; F21S 8/036; F21S
8/037; F21V 21/041; F21V 21/042; F21V
21/044
See application file for complete search history.

(56) **References Cited**

U.S. PATENT DOCUMENTS

- 4,438,484 A * 3/1984 Winden F21S 8/083
362/145
- D285,357 S * 8/1986 Pritchett D26/61
- 4,835,661 A * 5/1989 Fogelberg G09F 13/04
362/223
- D352,564 S * 11/1994 Marischen D26/26
- D381,449 S * 7/1997 Metcheur, III D26/68
- D409,325 S * 5/1999 Holder D26/74
- 6,062,704 A * 5/2000 Holder F21S 8/024
362/147
- 6,457,847 B1 * 10/2002 LeVasseur F21V 3/00
362/147

OTHER PUBLICATIONS

Square Curve Indoor/Outdoor LED Sconce from Sonneman Light-
ing. Found at YLighting.com visited Jun. 11, 2018. (Year: 2018).*

(Continued)

Primary Examiner — Clare E Heflin

(74) *Attorney, Agent, or Firm* — Gottlieb, Rackman &
Reisman, P.C.

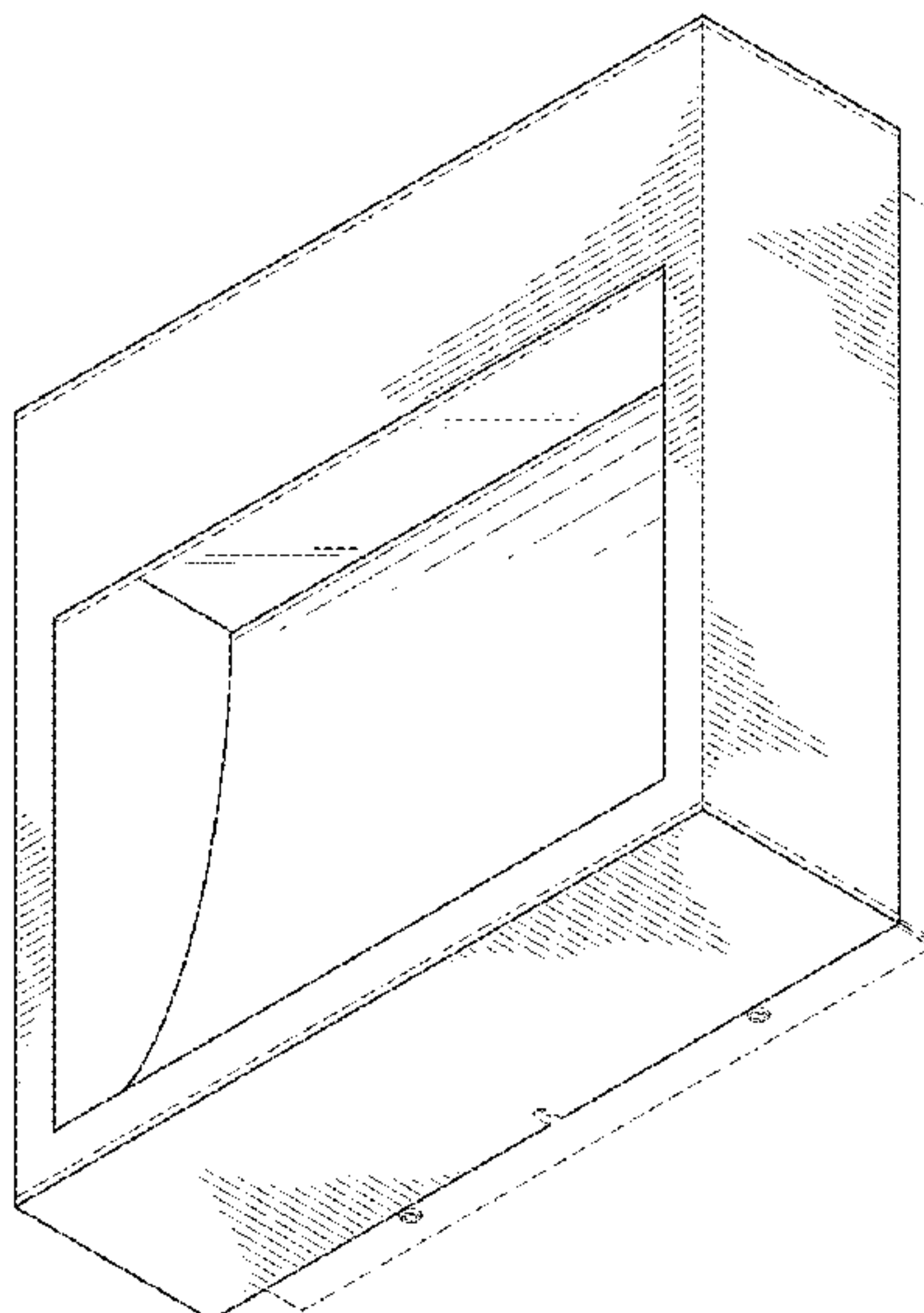
(57) **CLAIM**

The ornamental design for a light fixture, as shown and
described.

DESCRIPTION

FIG. 1 is a first perspective view of the light fixture showing
my new design;
FIG. 2 is a second perspective view thereof;
FIG. 3 is a front elevational view thereof;
FIG. 4 is a rear elevational view thereof;
FIG. 5 is a right side elevational view thereof;
FIG. 6 is a left side elevational view thereof;
FIG. 7 is a top plan view thereof; and,
FIG. 8 is a bottom plan view thereof.
The broken lines shown in the drawings are included for the
purpose of illustrating portions of the light fixture that form
no part of the claimed design.

1 Claim, 8 Drawing Sheets



(56)

References Cited

U.S. PATENT DOCUMENTS

D797,345 S 9/2017 Sonneman

OTHER PUBLICATIONS

Aluminux AL 2-Light LED Pathway Light Model No. E41362-BZ
from ET2 Contemporary Lighting. Product Spec. Sheet (c)2014.
(Year: 2014).*

* cited by examiner

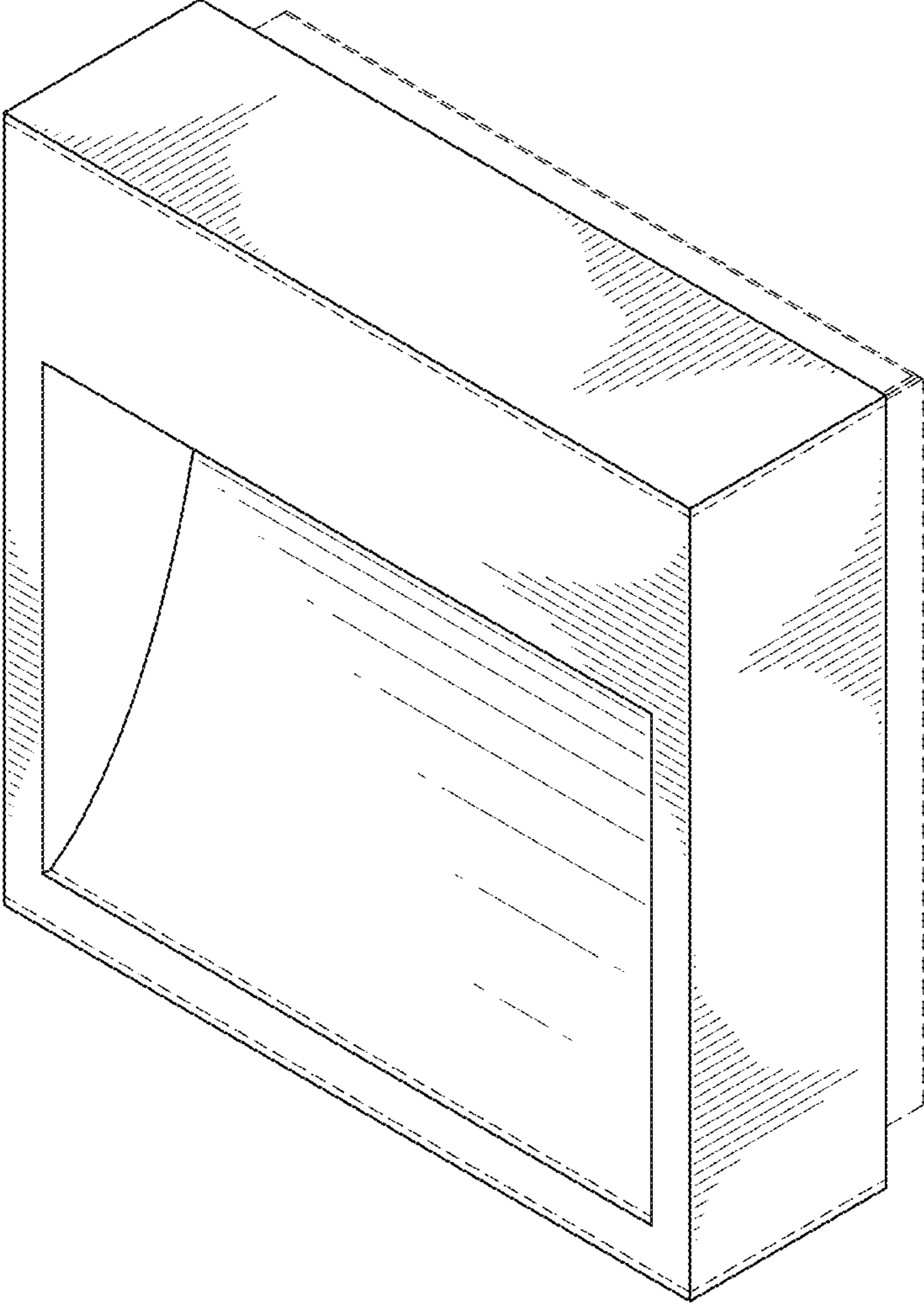


FIG. 1

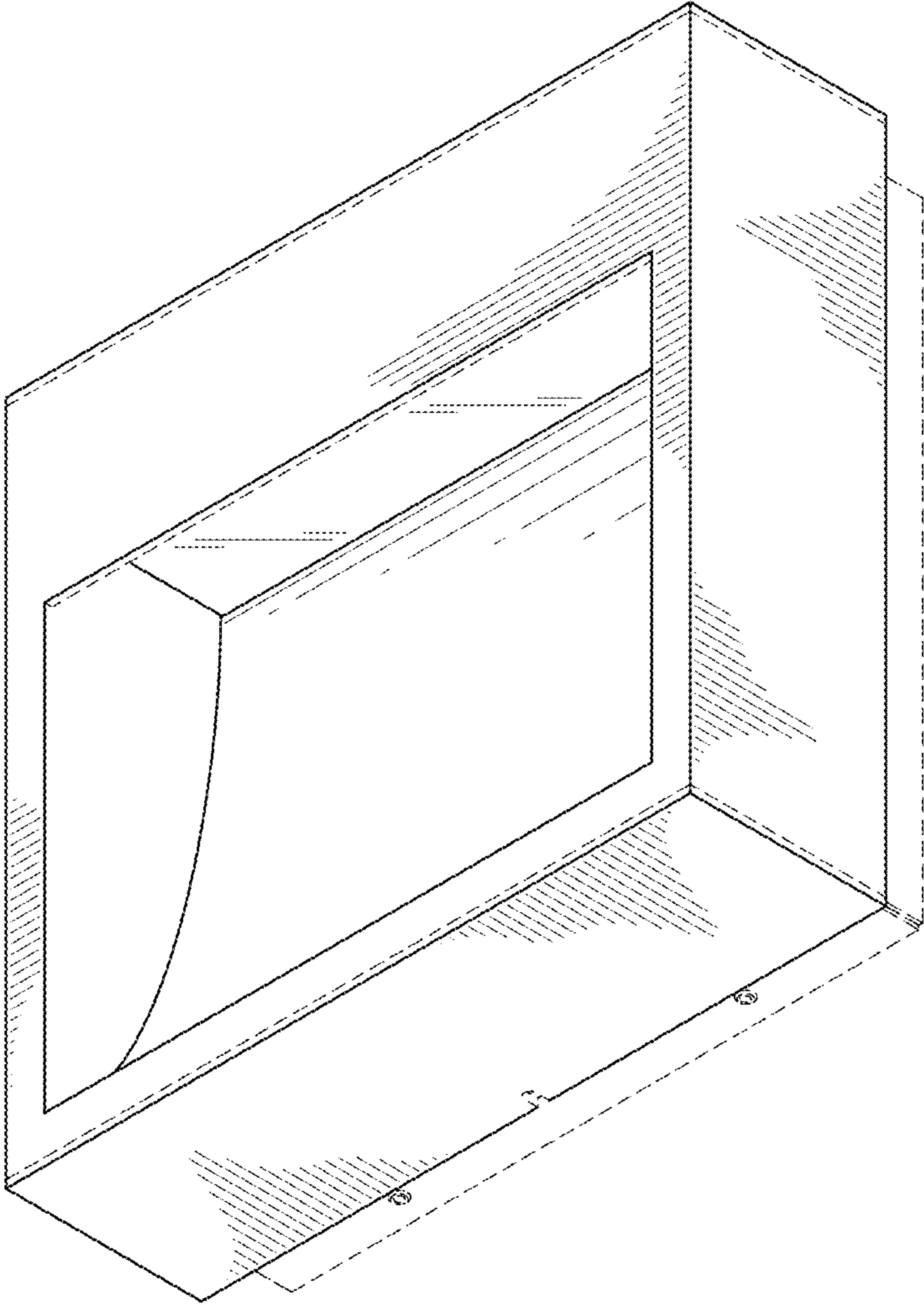


FIG. 2

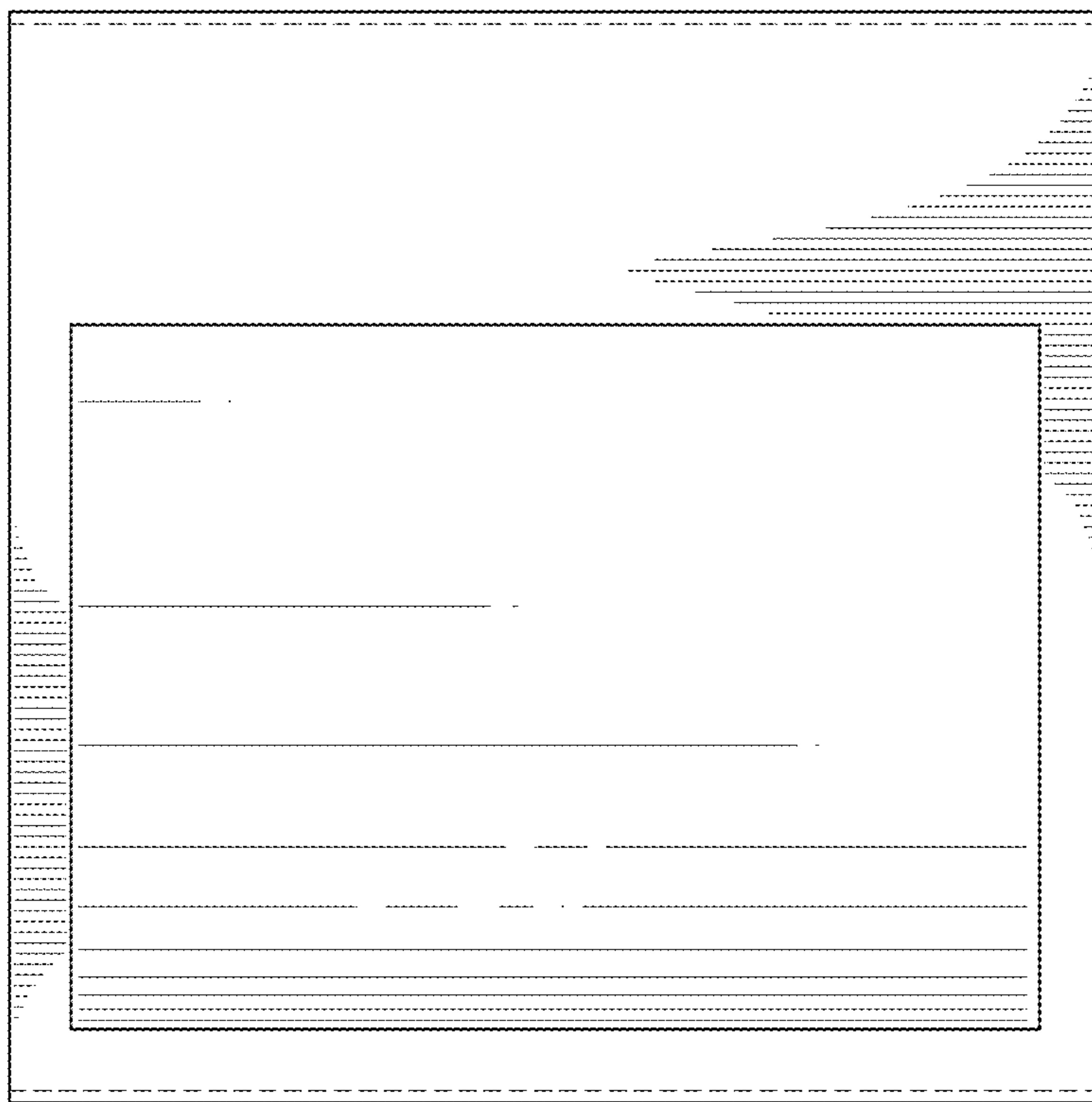


FIG. 3

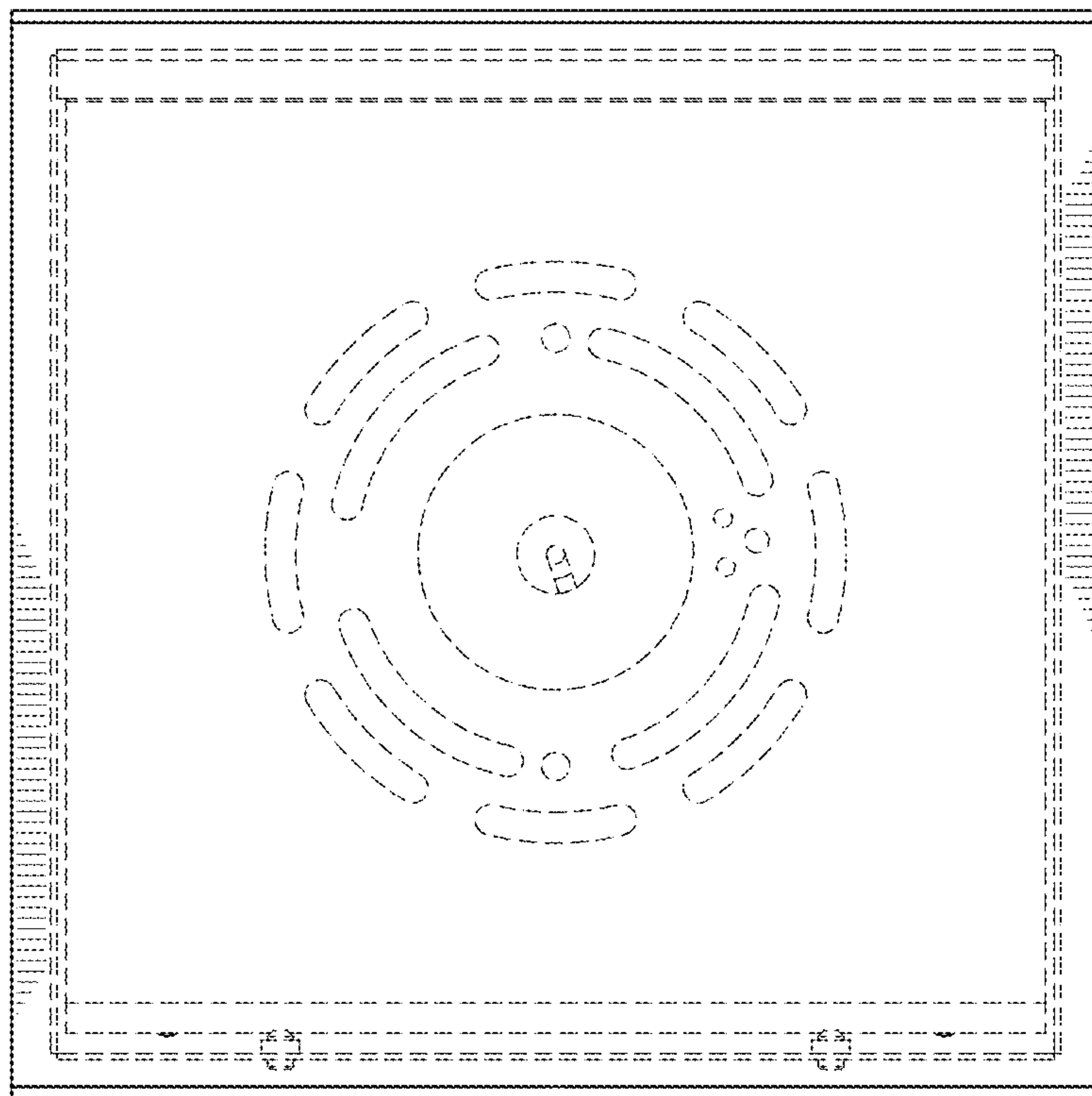


FIG. 4

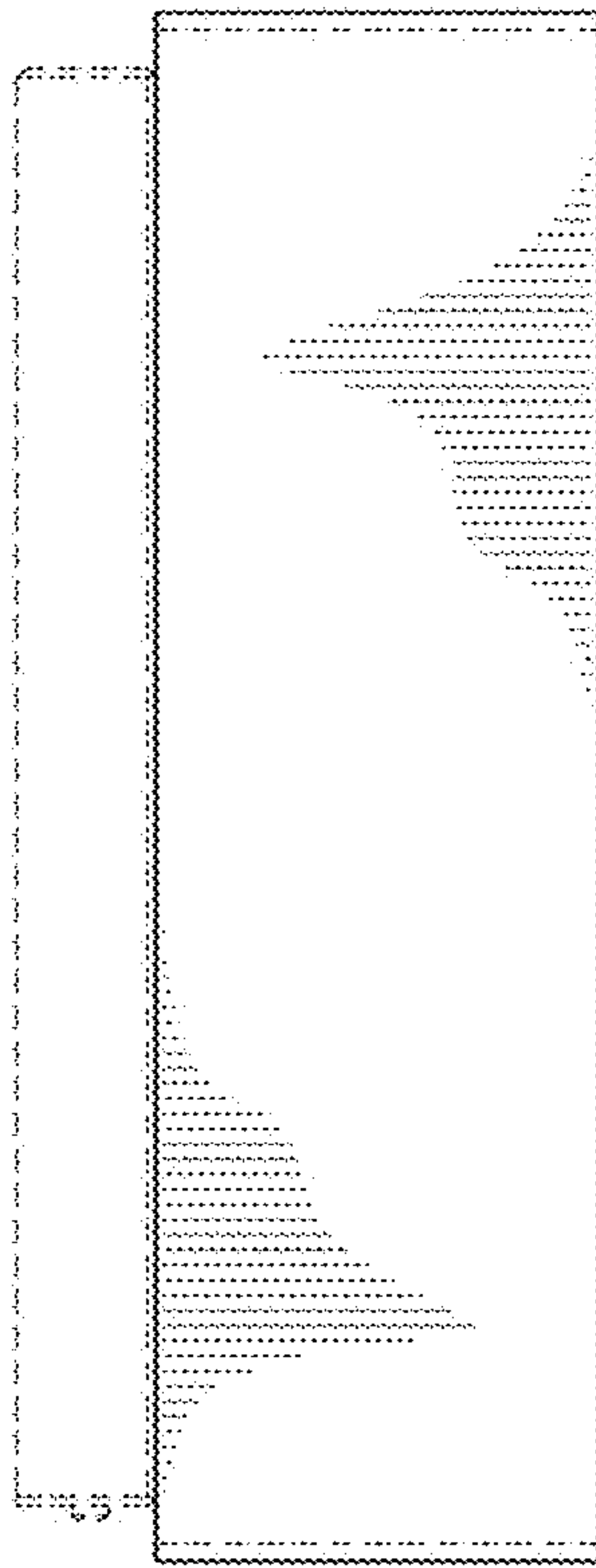


FIG. 5

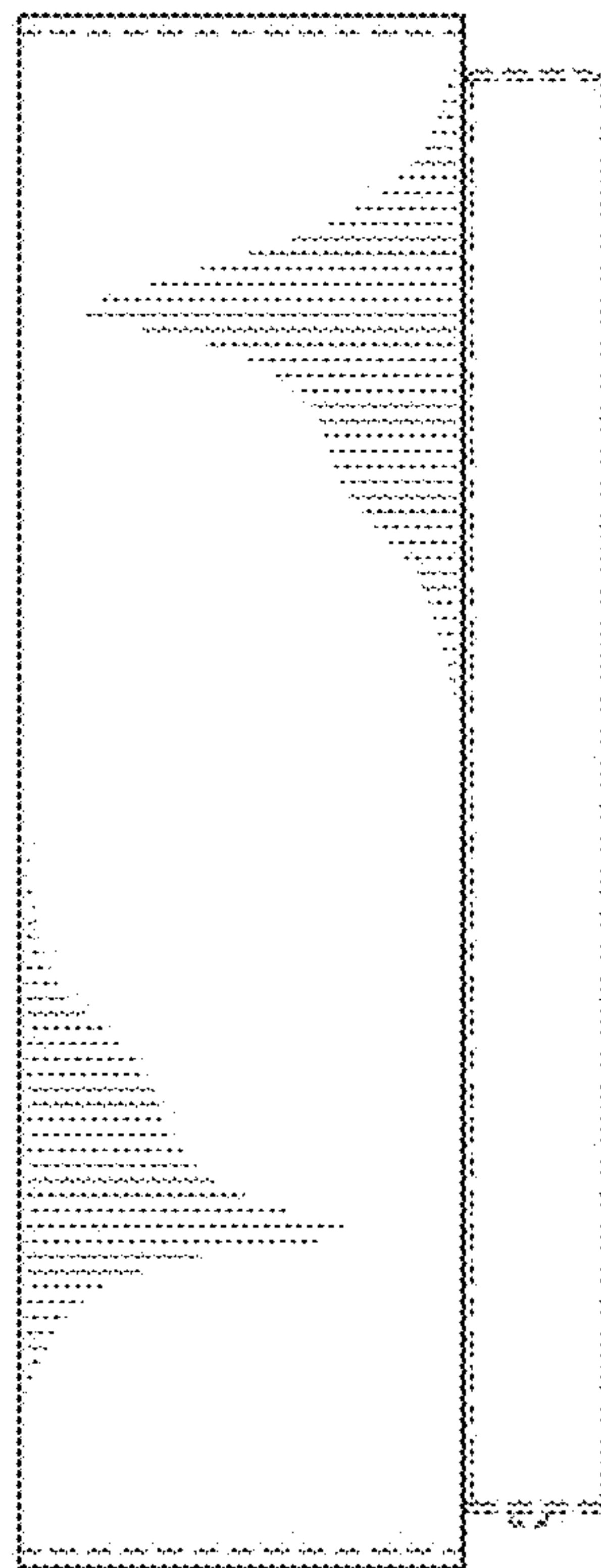


FIG. 6

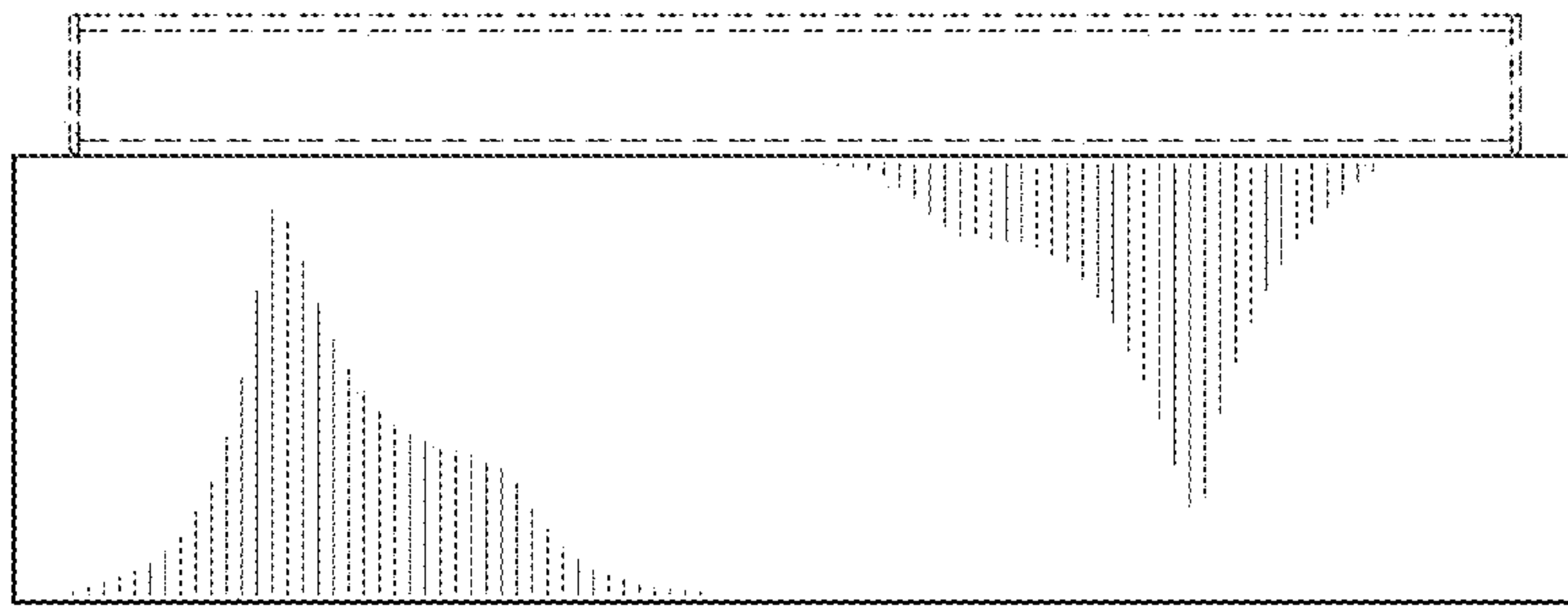


FIG. 7

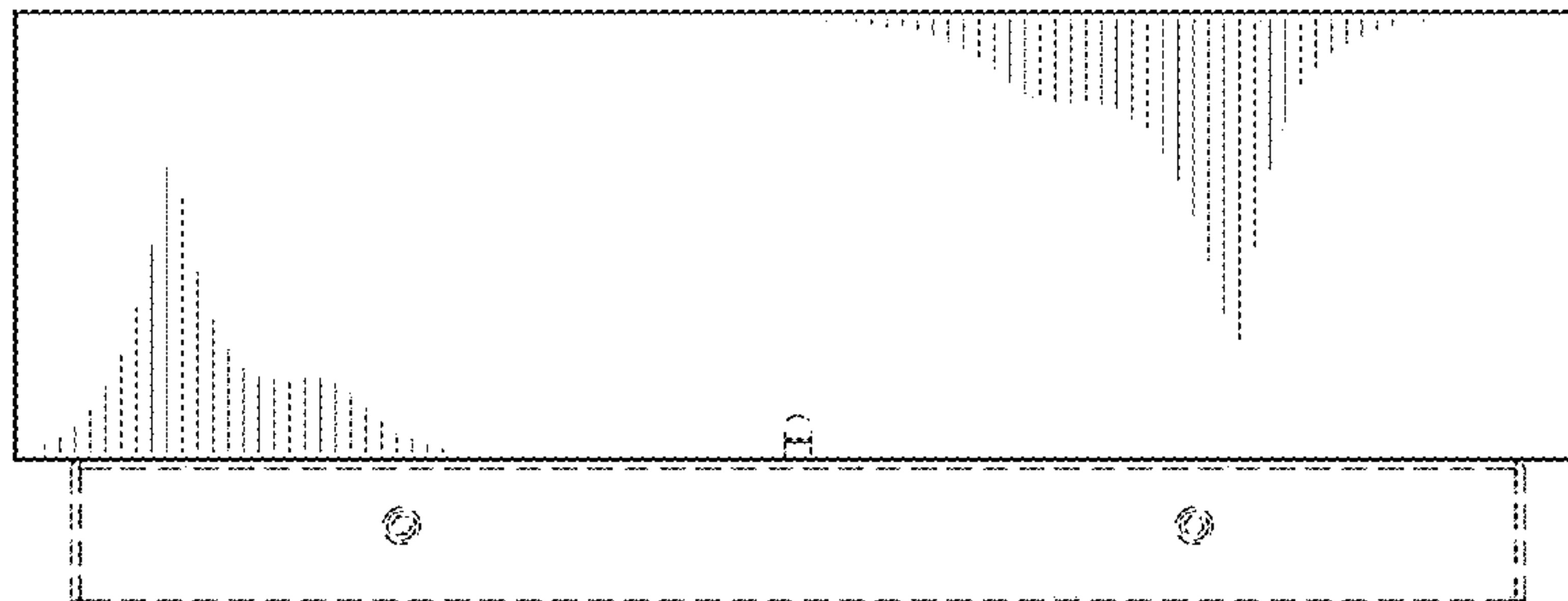


FIG. 8