



US00D826455S

(12) **United States Design Patent** (10) **Patent No.:** **US D826,455 S**  
**Moon** (45) **Date of Patent:** **\*\* Aug. 21, 2018**

(54) **WALL-MOUNT LIGHTING FIXTURE**

(71) Applicant: **Sang Pil Moon**, Seoul (KR)

(72) Inventor: **Sang Pil Moon**, Seoul (KR)

(\*\*) Term: **15 Years**

(21) Appl. No.: **29/607,346**

(22) Filed: **Jun. 12, 2017**

(51) **LOC (11) Cl.** ..... **26-03**

(52) **U.S. Cl.**  
USPC ..... **D26/85**

(58) **Field of Classification Search**  
USPC ..... D26/72, 85; D10/106.6, 106.8  
CPC .... F21S 8/03; F21S 8/033; F21S 8/036; F21S  
8/037; F21S 9/022; F21S 9/024; F21S  
9/03; F21S 9/037; F21V 33/0076; F21W  
2121/004; F21W 2131/107  
See application file for complete search history.

(56) **References Cited**

**U.S. PATENT DOCUMENTS**

D197,530 S *	2/1964	Jaffe, Jr. et al. ....	D26/85
D269,072 S *	5/1983	Sweet .....	D10/106.6
D304,019 S *	10/1989	Carsello .....	D10/106.8
D312,054 S *	11/1990	Melman .....	D10/106.6
D370,863 S *	6/1996	Carmi .....	D10/106.6
D442,104 S *	5/2001	Costa .....	D10/109.2
D569,029 S *	5/2008	Guercio .....	D26/85
D569,030 S *	5/2008	Lee .....	D26/85
D753,331 S *	4/2016	Gough .....	D26/85
D773,100 S *	11/2016	Guercio .....	D26/85
D800,943 S *	10/2017	Shundong .....	D26/85

**OTHER PUBLICATIONS**

20W Mini LED Wall Pack from Pride Lighting. SKU: PRD-WP03-20WC1 at prideled.com, visited Apr. 26, 2018. (Year: 2018).\*  
Lithonia Lighting 70-watt Outdoor Bronze High Pressure Sodium Wallpack—Model No. OWP 70S 120 P LP BZ M6. At the homedepot.com visited Apr. 26, 2018. (Year: 2018).\*

\* cited by examiner

*Primary Examiner* — Clare E Heflin

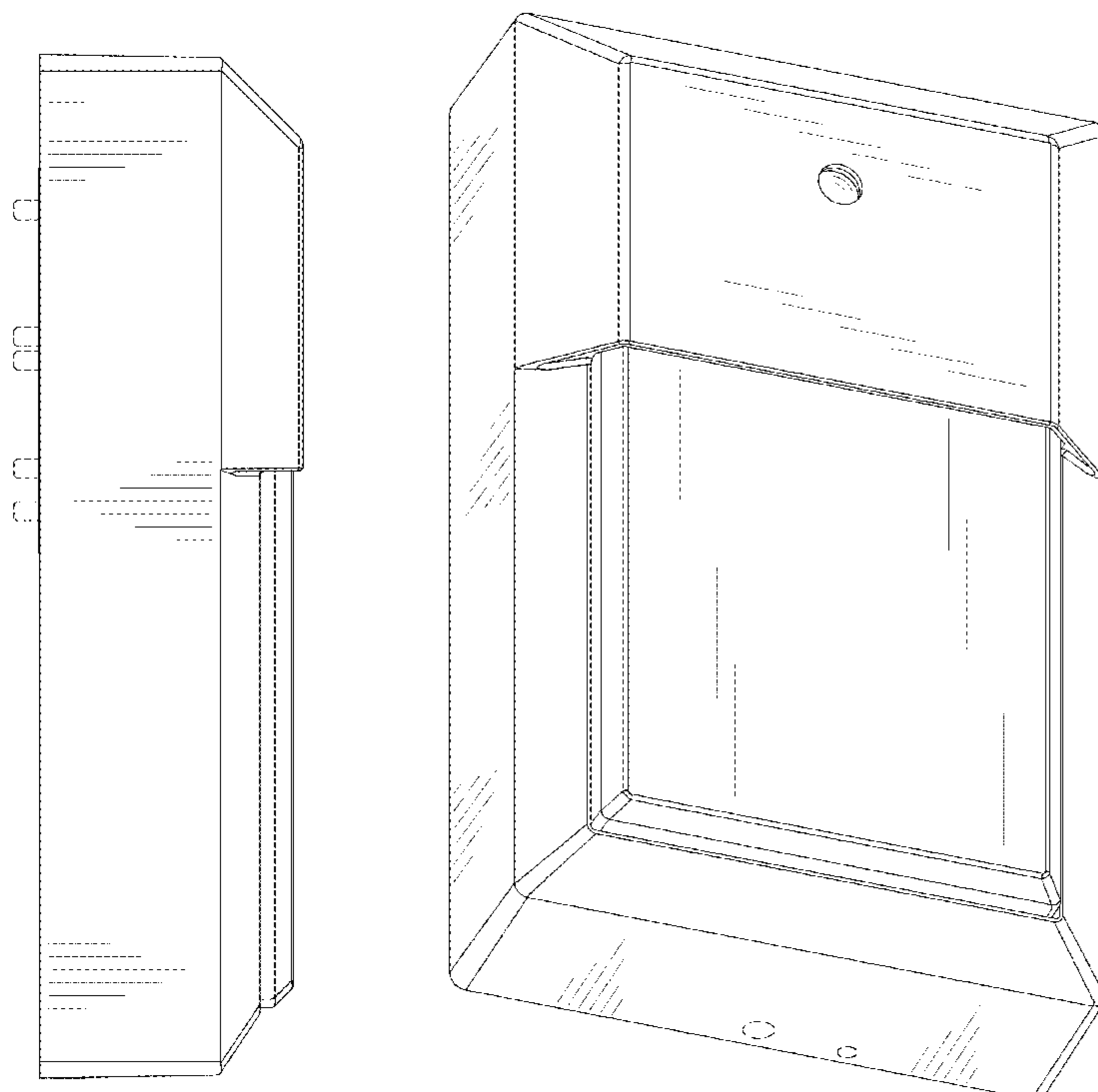
(57) **CLAIM**

The ornamental design for a wall-mount lighting fixture, as shown and described.

**DESCRIPTION**

FIG. 1 is a front elevational view of a wall-mount lighting fixture showing my new design;  
FIG. 2 is a rear elevational view thereof;  
FIG. 3 is a left side view thereof;  
FIG. 4 is a right side view thereof;  
FIG. 5 is a top plan view thereof;  
FIG. 6 is a bottom plan view thereof;  
FIG. 7 is a first perspective view thereof;  
FIG. 8 is a second perspective view thereof; and,  
FIG. 9 is a third perspective view thereof.  
The broken lines in the drawings illustrate portions of the wall-mount lighting fixture which form no part of the claimed design.

**1 Claim, 7 Drawing Sheets**



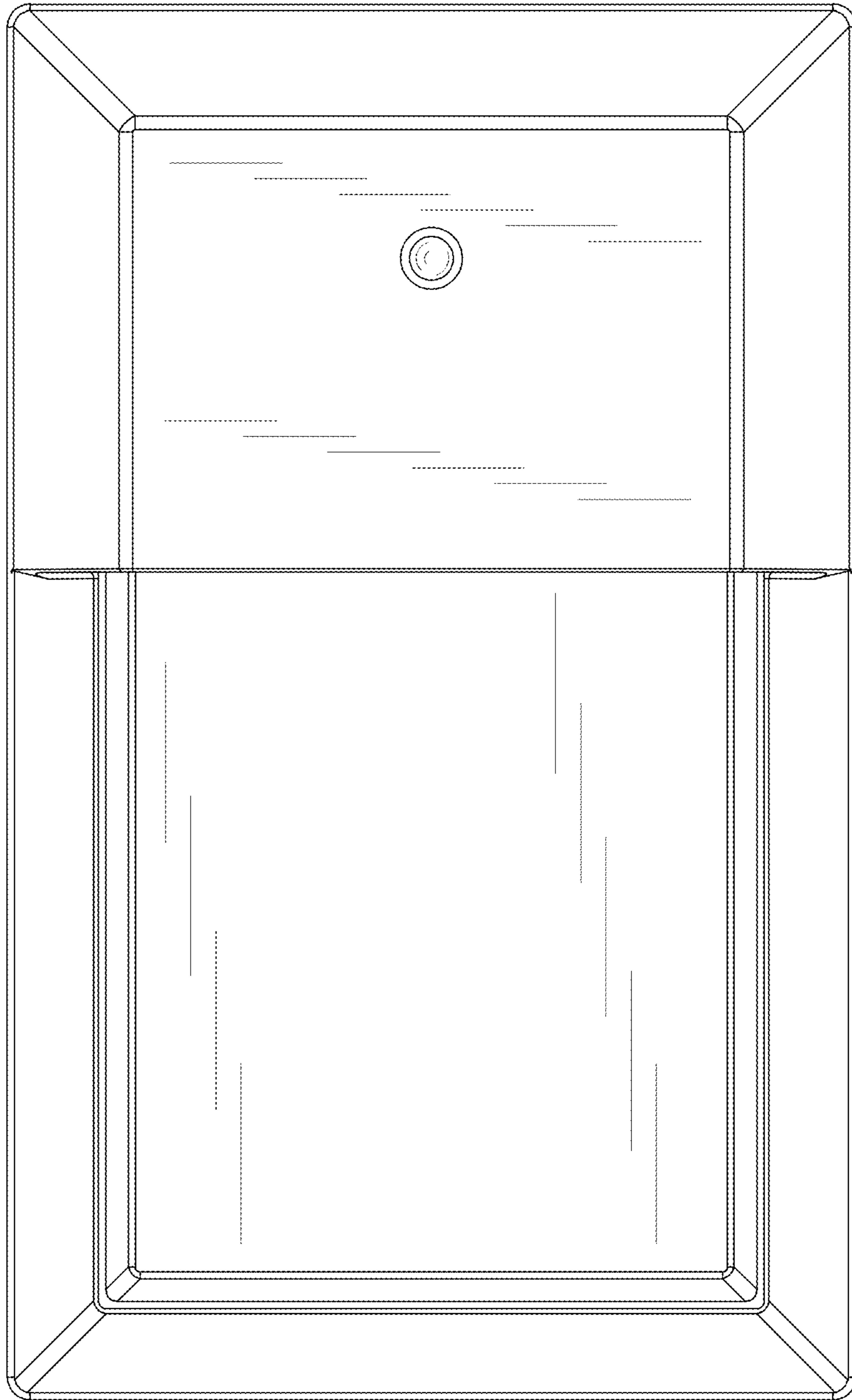


FIG.1

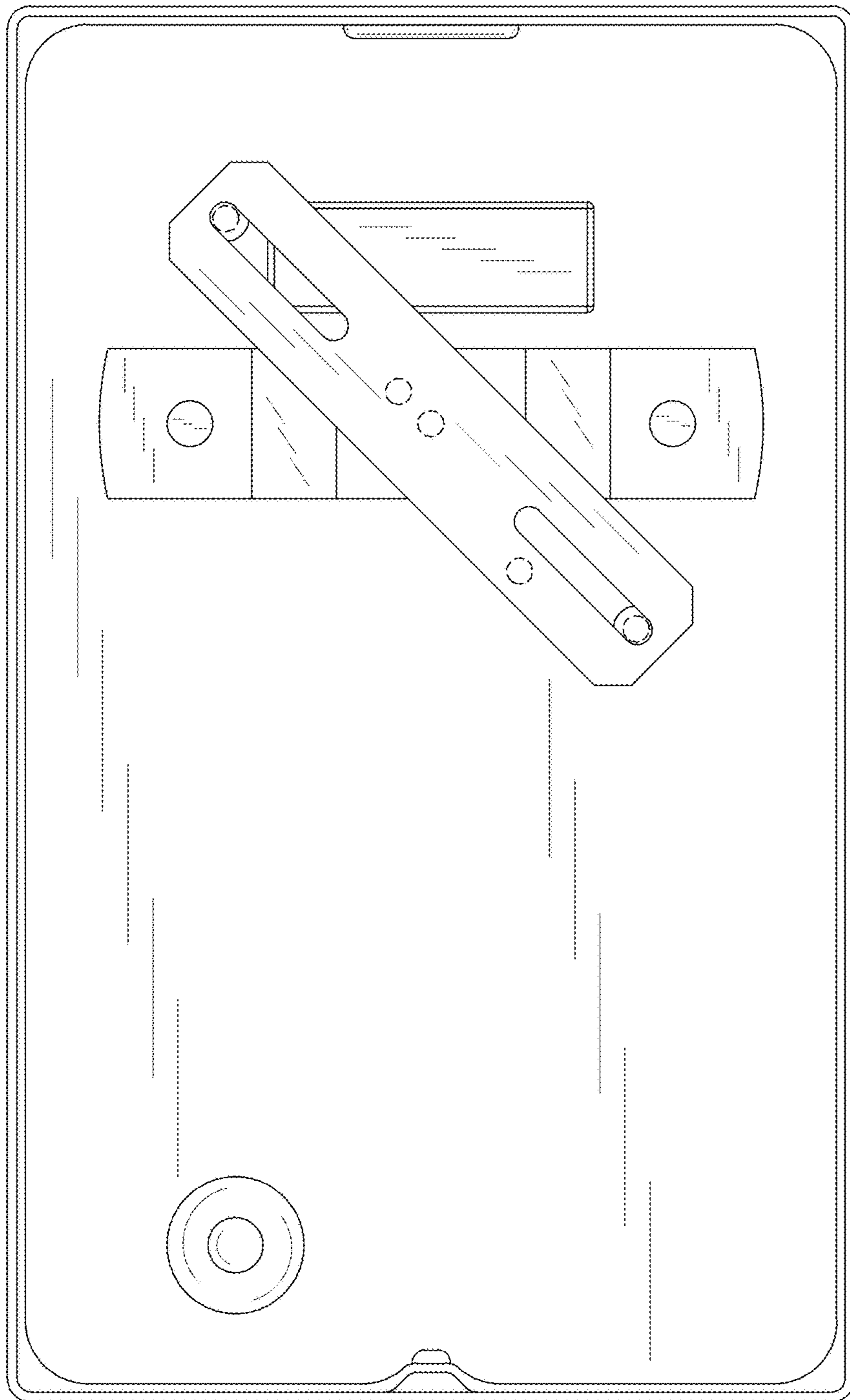


FIG. 2

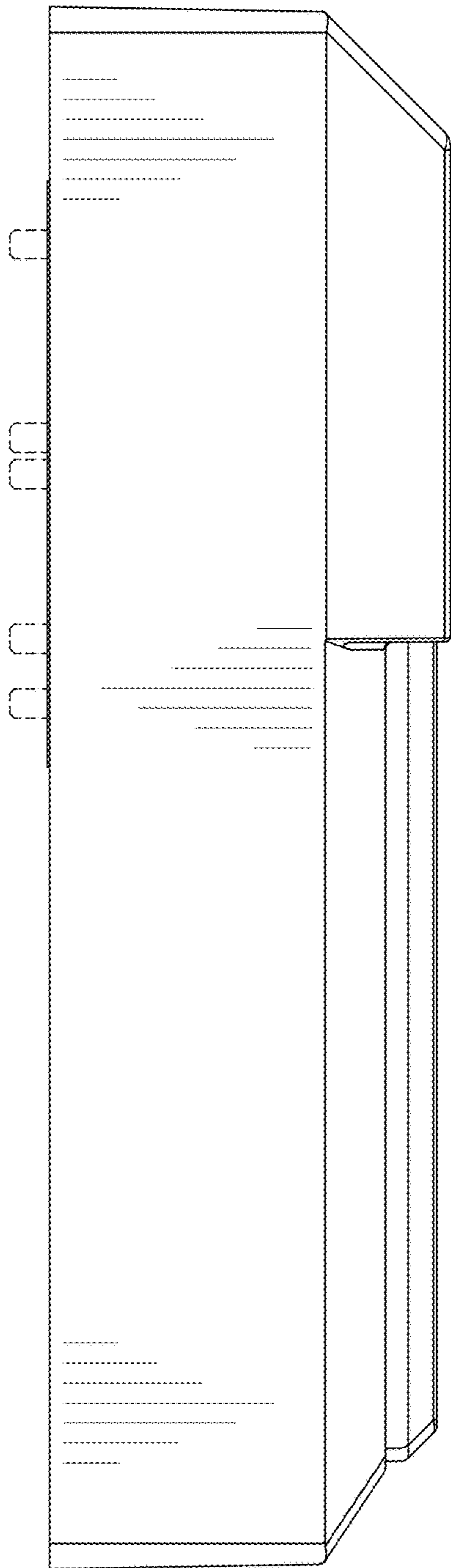


FIG.3

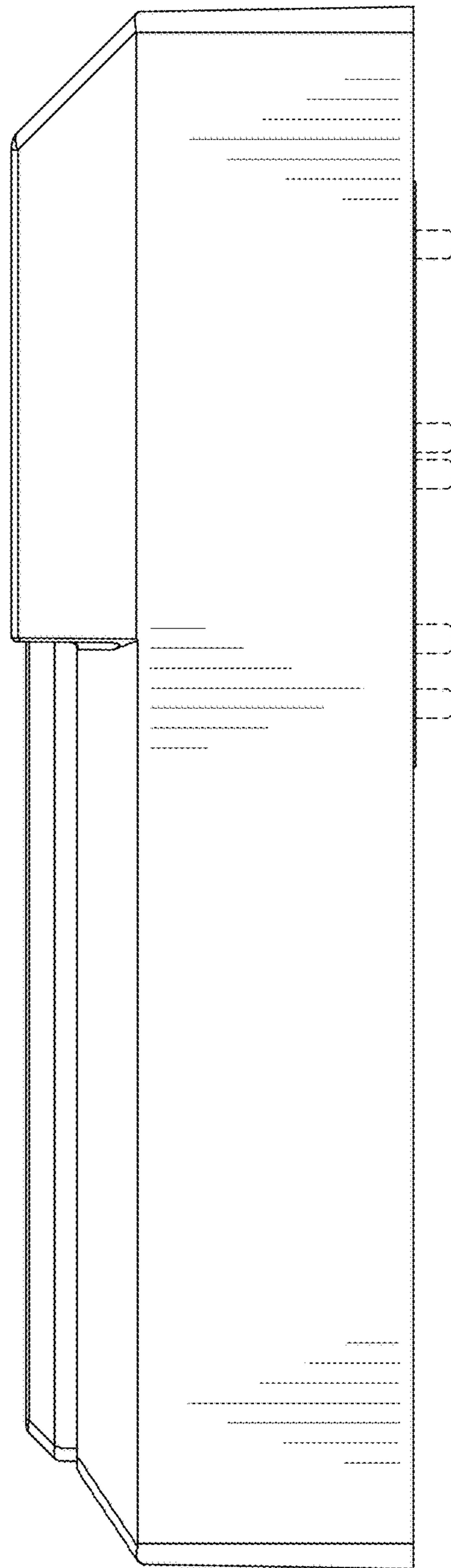


FIG.4

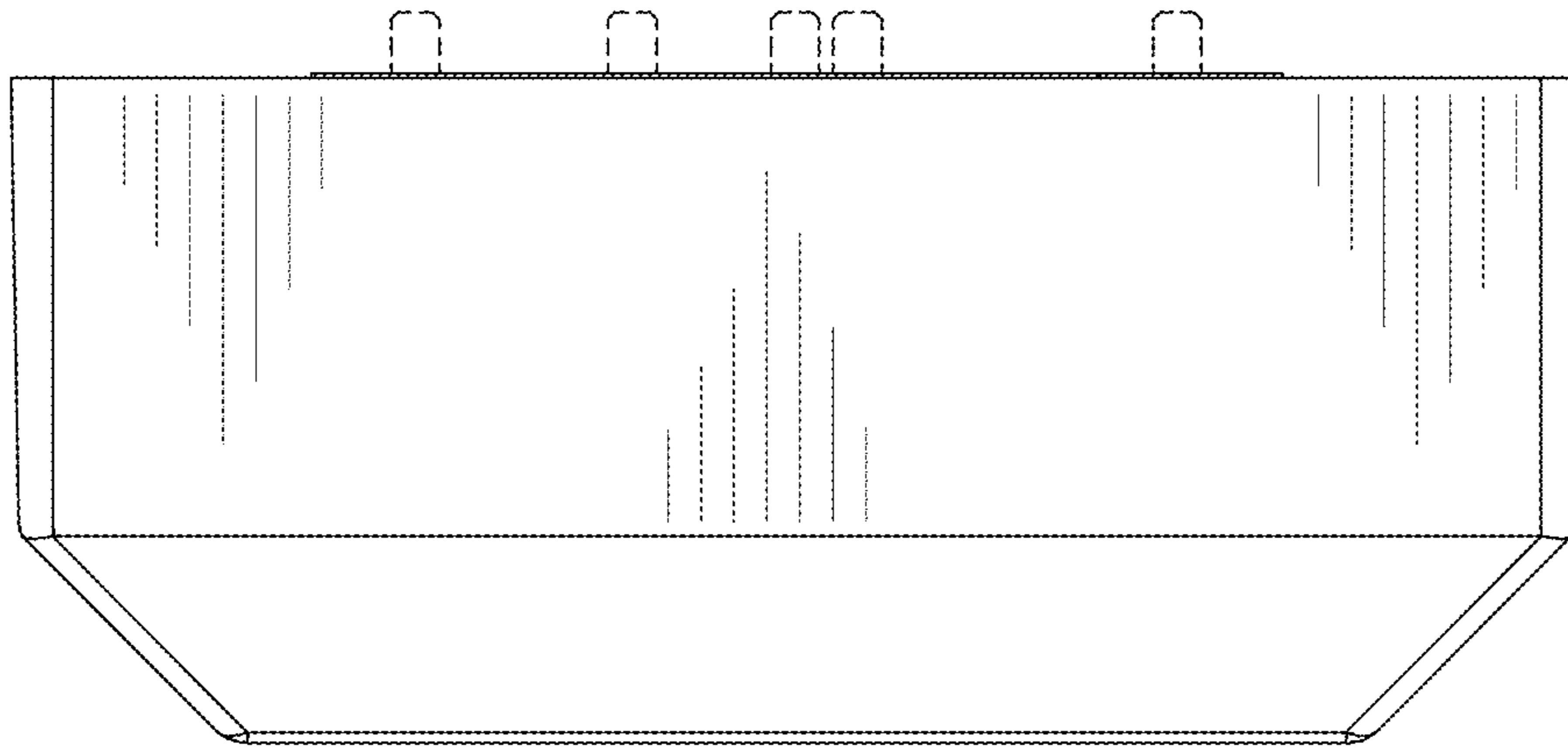


FIG. 5

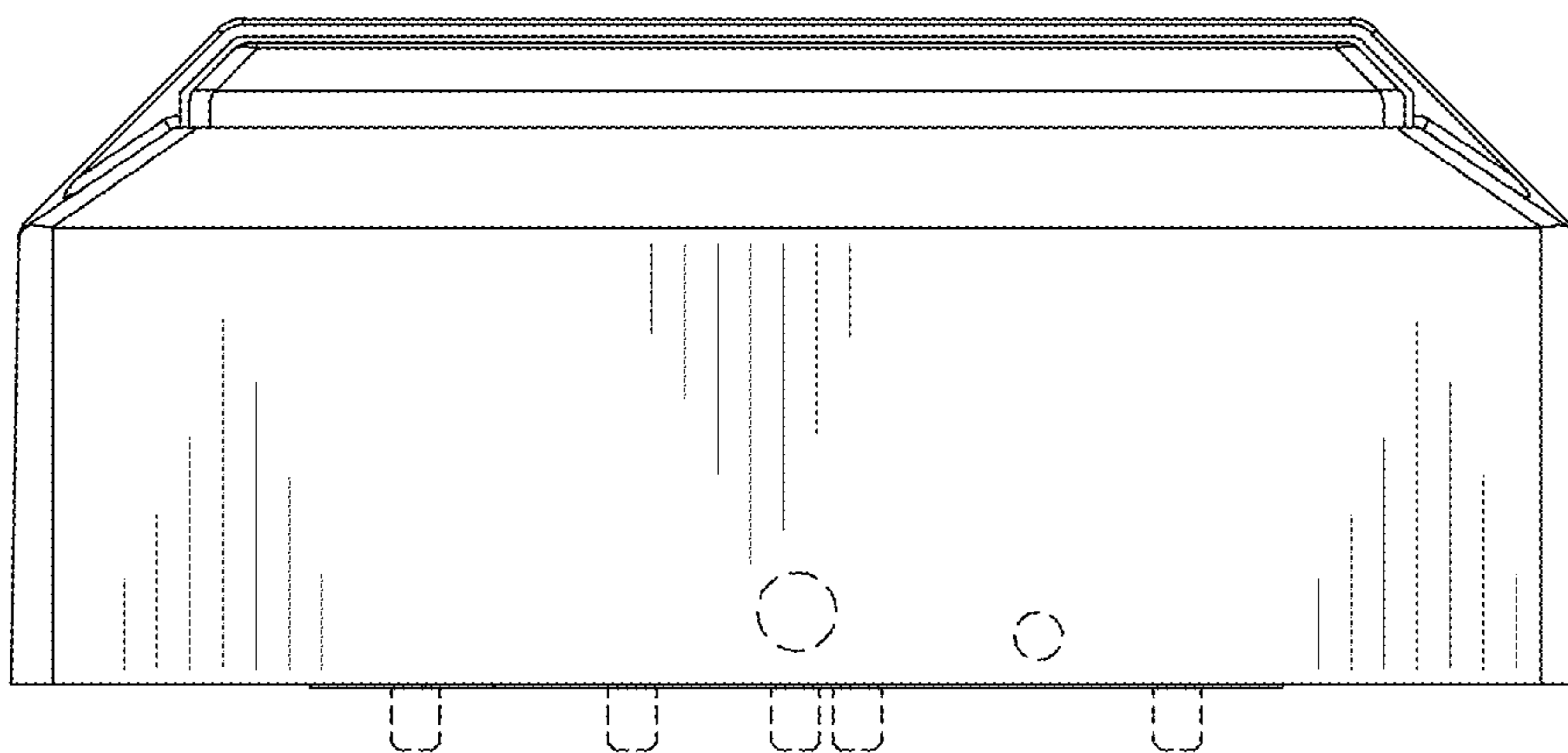


FIG. 6



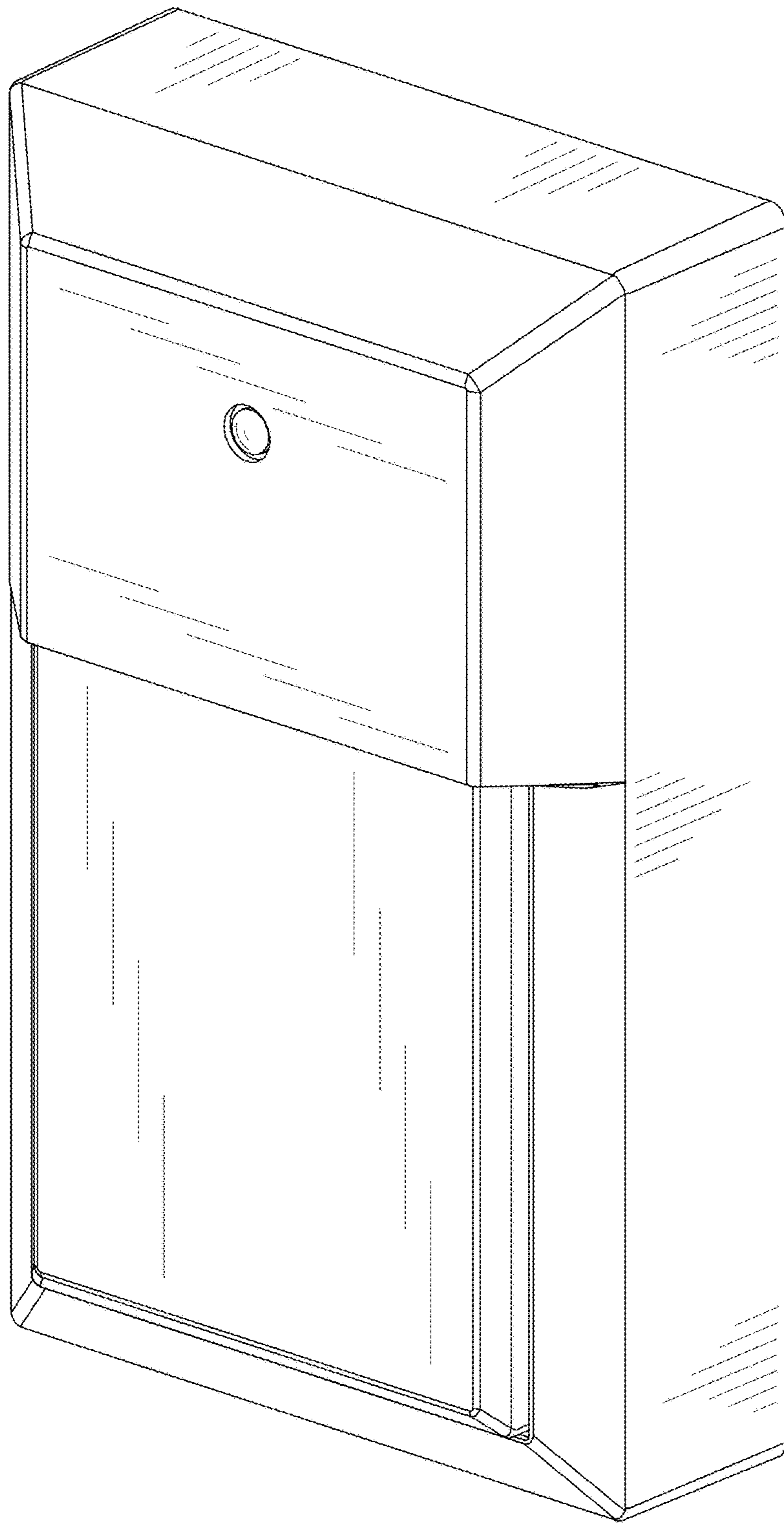


FIG.7

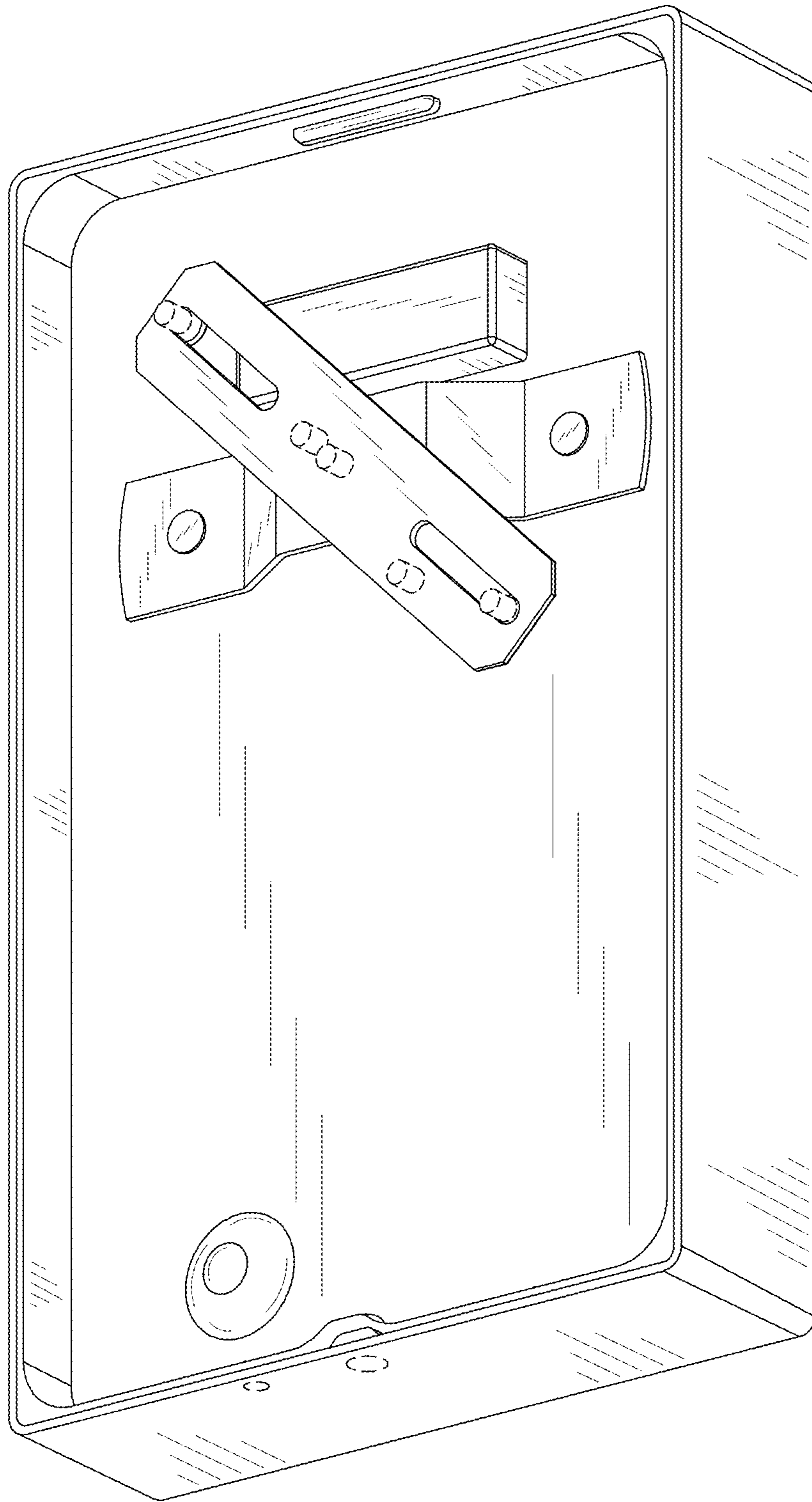


FIG.8

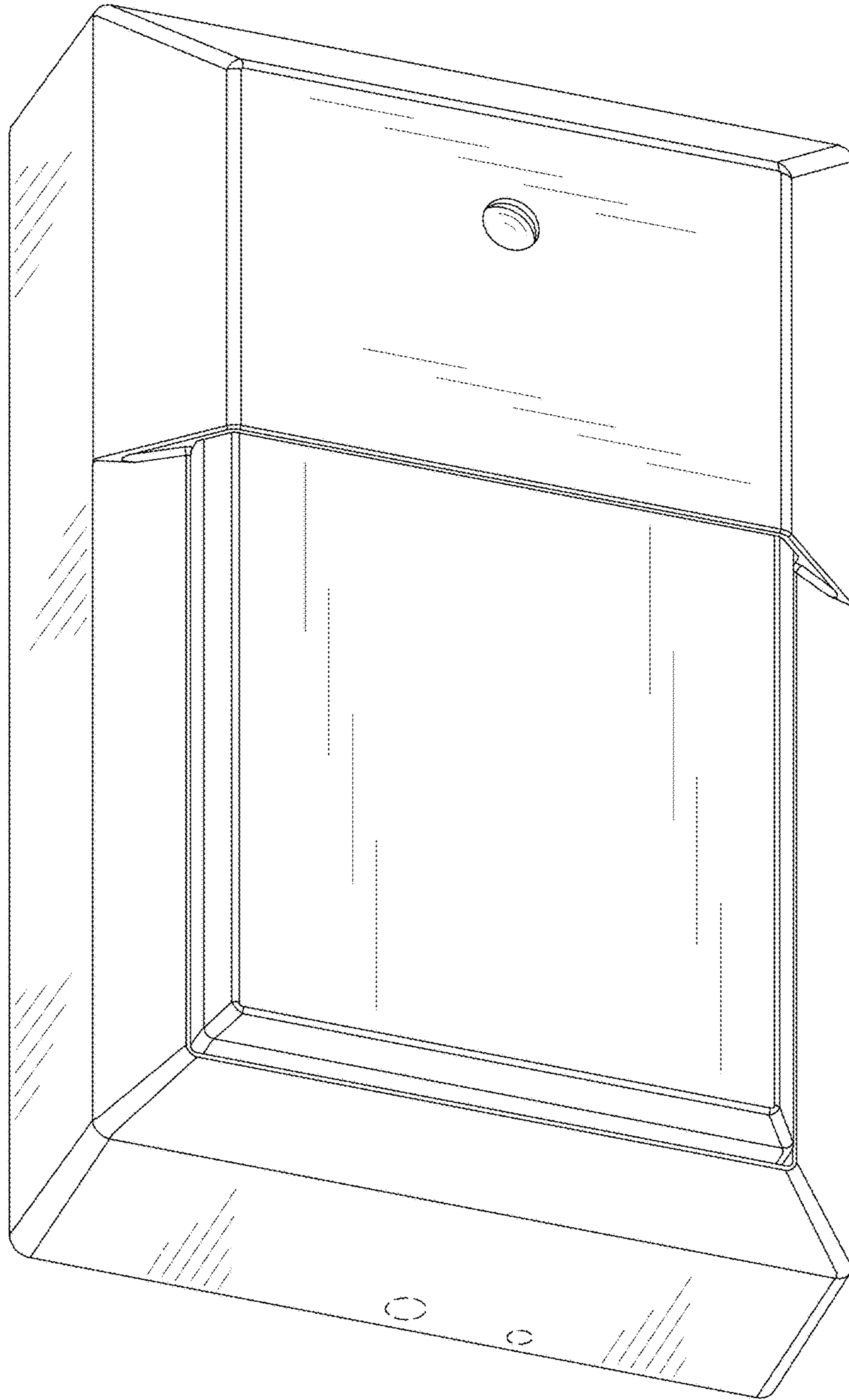


FIG.9