



US00D826448S

(12) **United States Design Patent**
Wan et al.

(10) **Patent No.:** **US D826,448 S**

(45) **Date of Patent:** **** Aug. 21, 2018**

(54) **LAMP**

9/035; F21S 9/037; F21S 10/063; F21S
13/10

(71) Applicants: **UNILUMIN GROUP CO., LTD.**,
Shenzhen, Guangdong (CN);
GUANGDONG UNILUMIN
ENERGY SAVING TECHNOLOGY
CO., LTD, Huizhou, Guangdong (CN)

See application file for complete search history.

(72) Inventors: **Changwei Wan**, Guangdong (CN);
Jianghai Li, Guangdong (CN); **Qing**
Zhou, Guangdong (CN); **Mingfeng**
Lin, Guangdong (CN)

(56) **References Cited**

U.S. PATENT DOCUMENTS

D660,496 S *	5/2012	Akdag	D26/71
D663,462 S *	7/2012	Butler	D26/71
D666,759 S *	9/2012	Lane	D26/71
D672,492 S *	12/2012	Butler	D26/71
D673,318 S *	12/2012	Lane	D26/71
D709,635 S *	7/2014	Coulbeaut	D26/71
D715,984 S *	10/2014	Durdle	D26/71
D747,527 S *	1/2016	Guercio	D26/71
D760,935 S *	7/2016	Jurdana	D26/71
D765,298 S *	8/2016	Frisee	D26/71

(Continued)

(73) Assignees: **UNILUMIN GROUP CO., LTD.**,
Shenzhen (CN); **GUANGDONG**
UNILUMIN ENERGY SAVING
TECHNOLOGY CO., LTD, Huizhou
(CN)

OTHER PUBLICATIONS

Ledophin LED Street Light Products (available online) Retrieved
from the internet Nov. 17, 2017, retrieved from URL: <http://www.uniluminled.com/Products/LED-Street-Lights/Ledophin-Series/2017/0825/180.html>.*

(Continued)

(**) Term: **15 Years**

Primary Examiner — Kevin K Rudzinski

Assistant Examiner — Richard Kearney

(21) Appl. No.: **29/594,923**

(74) *Attorney, Agent, or Firm* — Ladas & Parry LLP

(22) Filed: **Feb. 23, 2017**

(30) **Foreign Application Priority Data**

Dec. 5, 2016 (CN) 2016 3 0593231

(51) **LOC (11) Cl.** **26-05**

(52) **U.S. Cl.**
USPC **D26/71**

(58) **Field of Classification Search**
USPC D13/134–136; D26/51, 60–71, 76, 77,
D26/78, 80, 85, 86, 87, 92; D29/103
CPC .. F21S 8/036; F21S 8/038; F21S 8/043; F21S
8/081; F21S 8/083; F21S 8/085; F21S
8/086; F21S 8/088; F21S 9/03; F21S

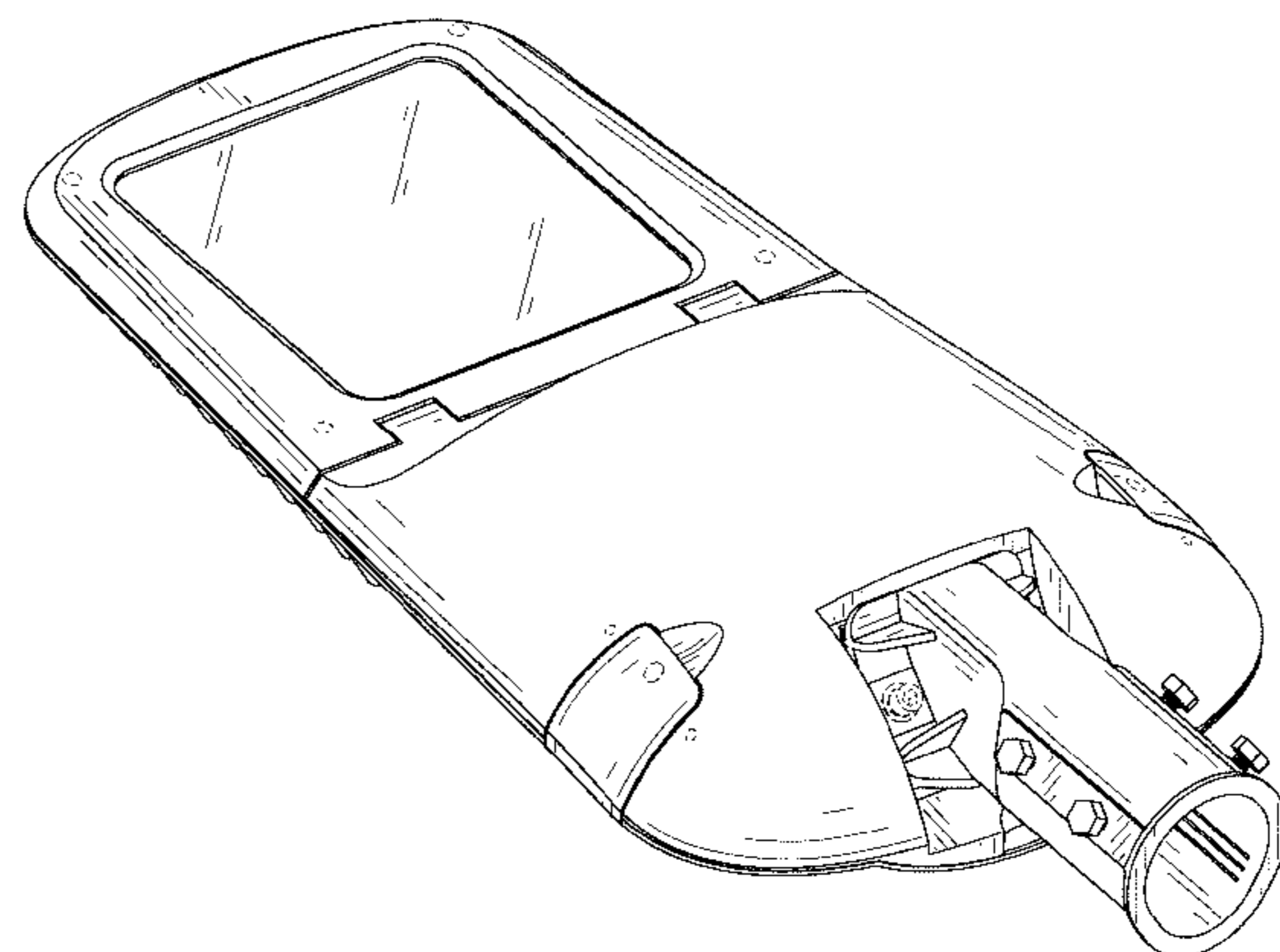
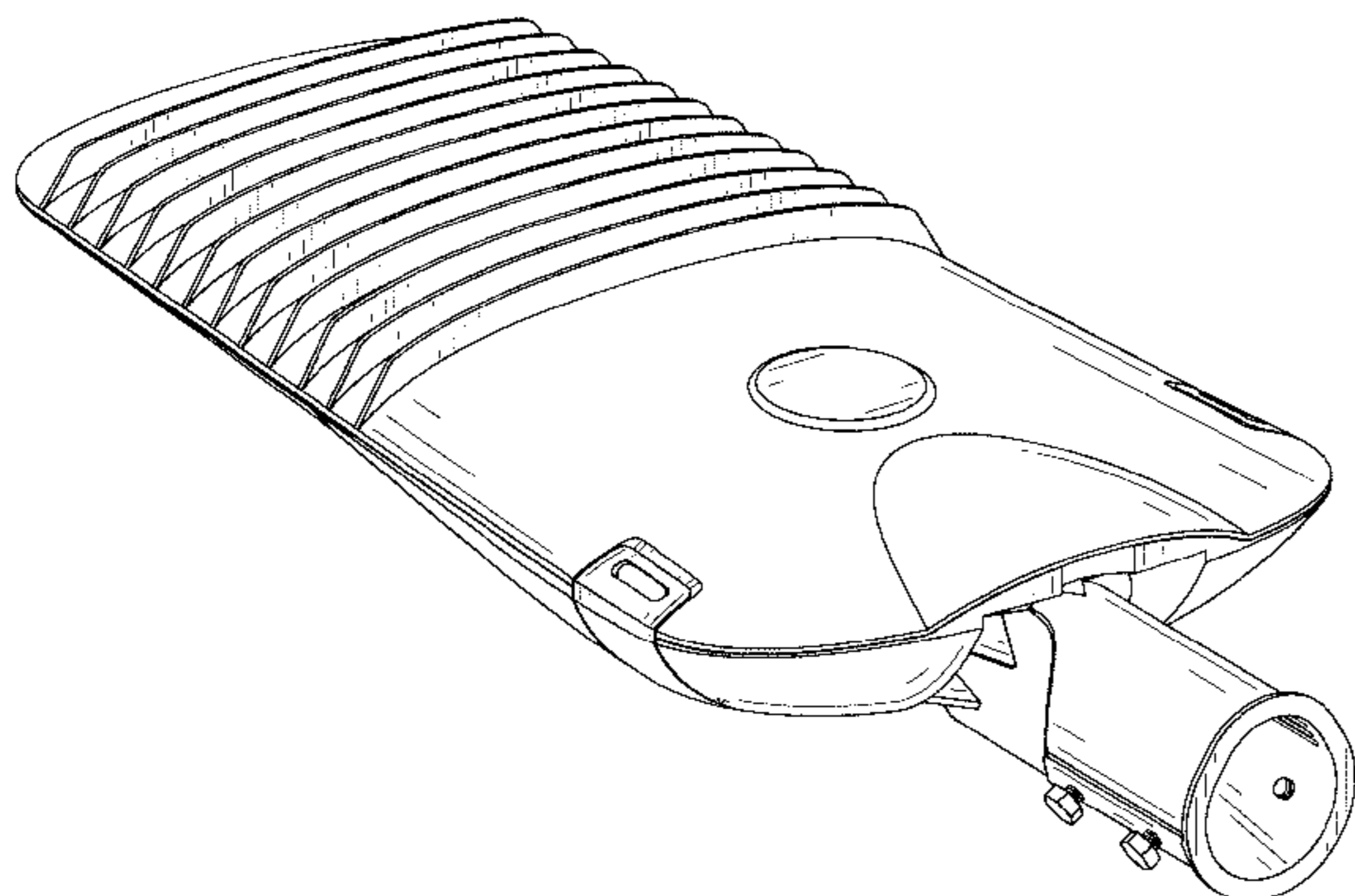
(57) **CLAIM**

The ornamental design for a lamp, as shown and described.

DESCRIPTION

FIG. 1 is a front elevational view of a lamp showing the new design;
FIG. 2 is a rear elevational view thereof;
FIG. 3 is a left-side elevational view thereof;
FIG. 4 is a right-side elevational view thereof;
FIG. 5 is a top plan view thereof;
FIG. 6 is a bottom plan view thereof;
FIG. 7 is a front, bottom, left perspective view thereof; and,
FIG. 8 is a rear, bottom, right perspective view thereof.

(Continued)



The broken lines shown in the drawings illustrate portions of the lamp that form no part of the claimed design.

1 Claim, 8 Drawing Sheets

(56)

References Cited

U.S. PATENT DOCUMENTS

D782,719 S * 3/2017 Snell D26/71
D783,875 S * 4/2017 Kaoh D26/71
2017/0167676 A1* 6/2017 Wang F21S 8/086

OTHER PUBLICATIONS

Ledophin Series Youtube.com (available online Sep. 19, 2017)
Retrieved from the internet Nov. 17, 2017, retrieved from URL:
<https://www.youtube.com/watch?v=RSud6aBPsuY>.*

* cited by examiner

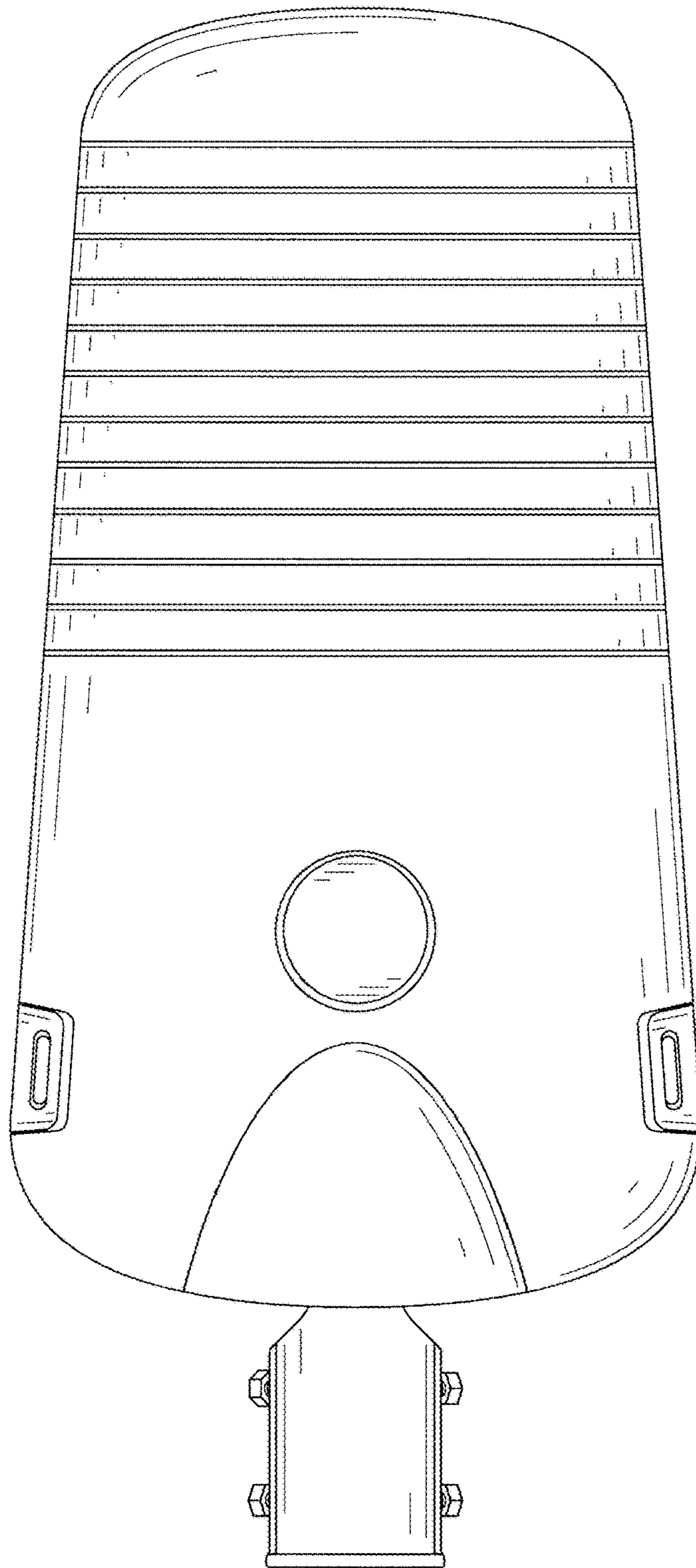


FIG. 1

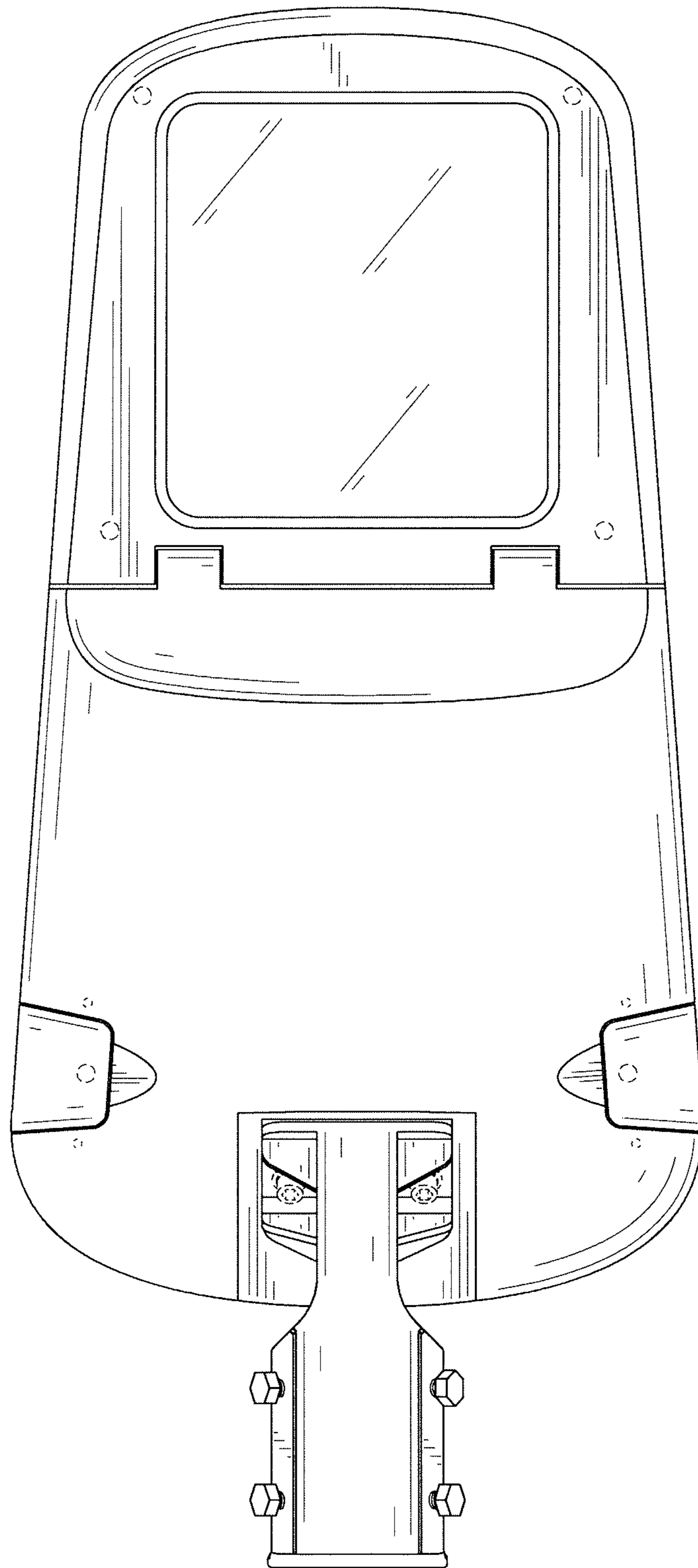


FIG. 2

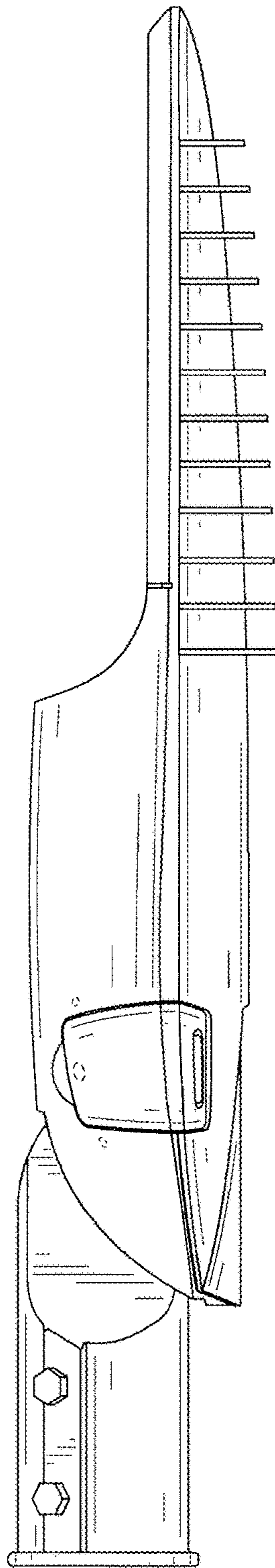


FIG. 3

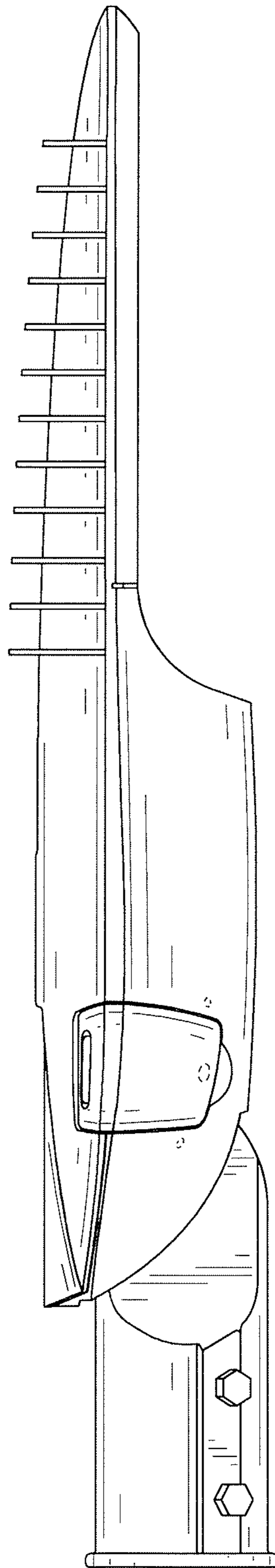


FIG. 4

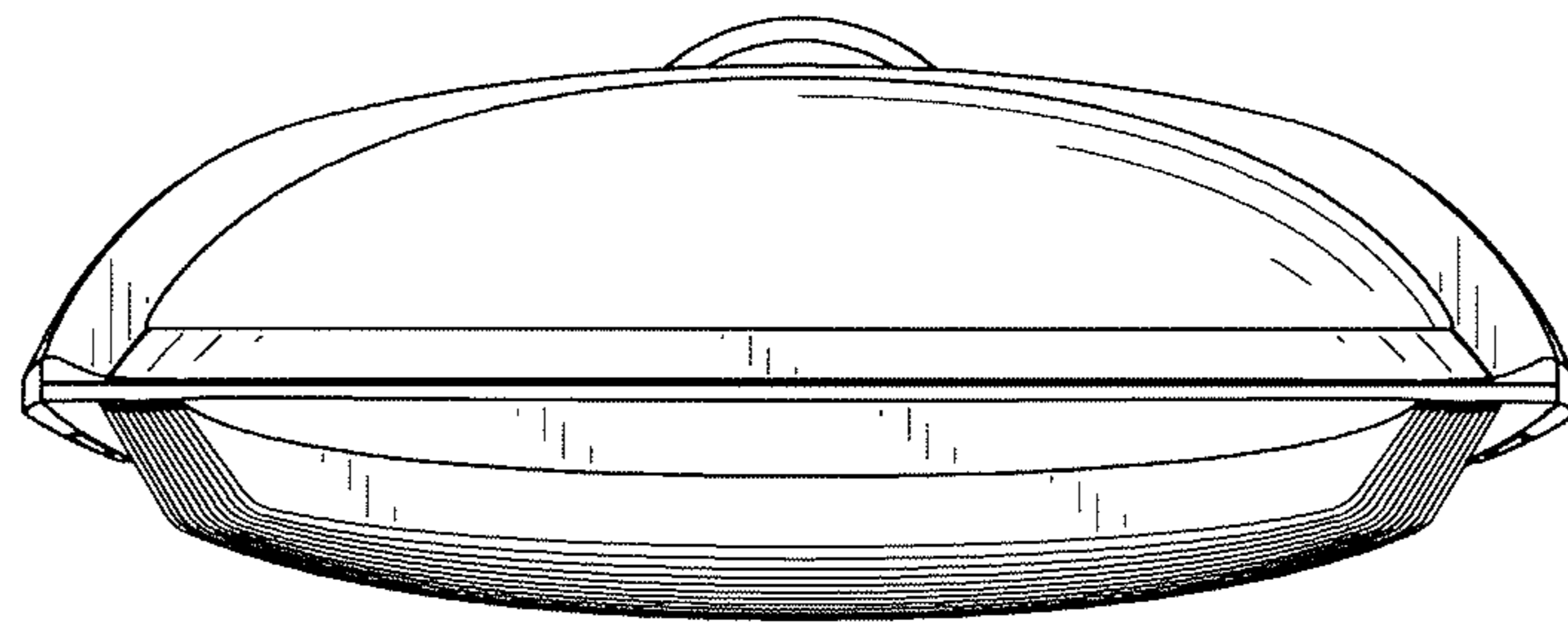


FIG. 5

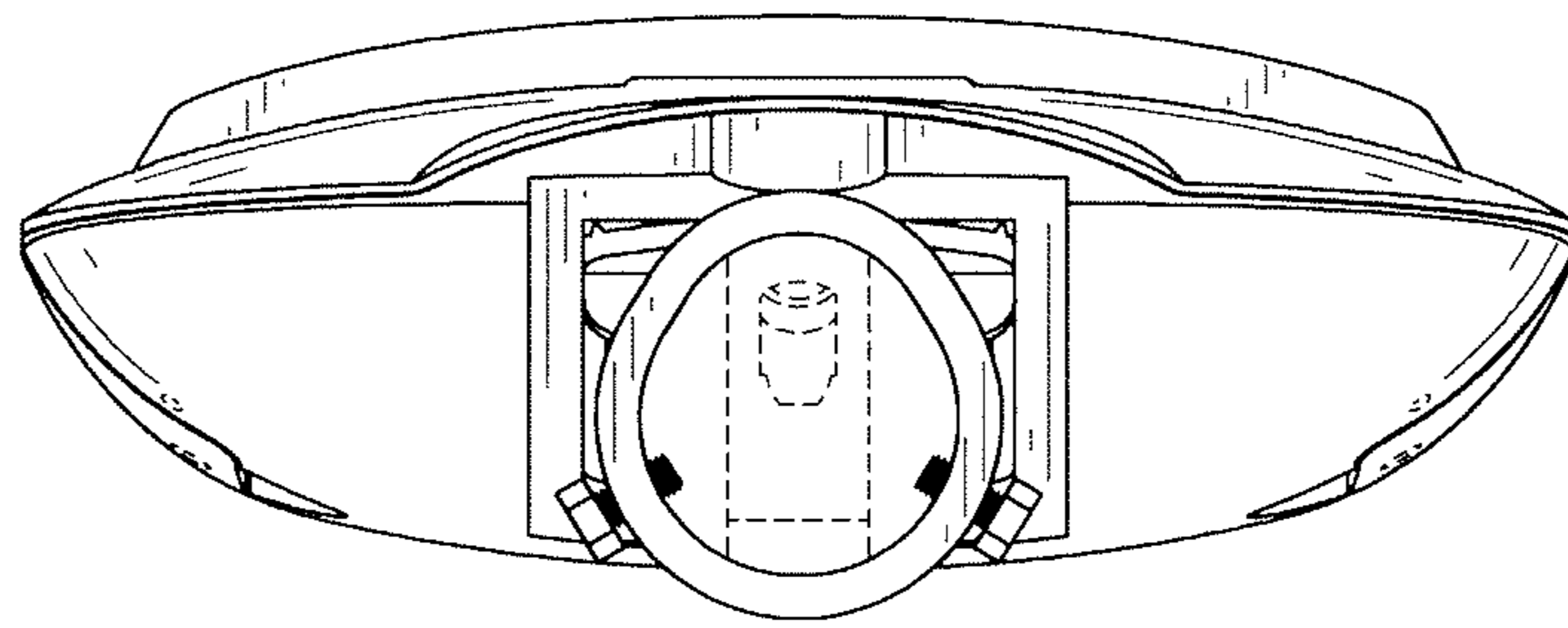


FIG. 6

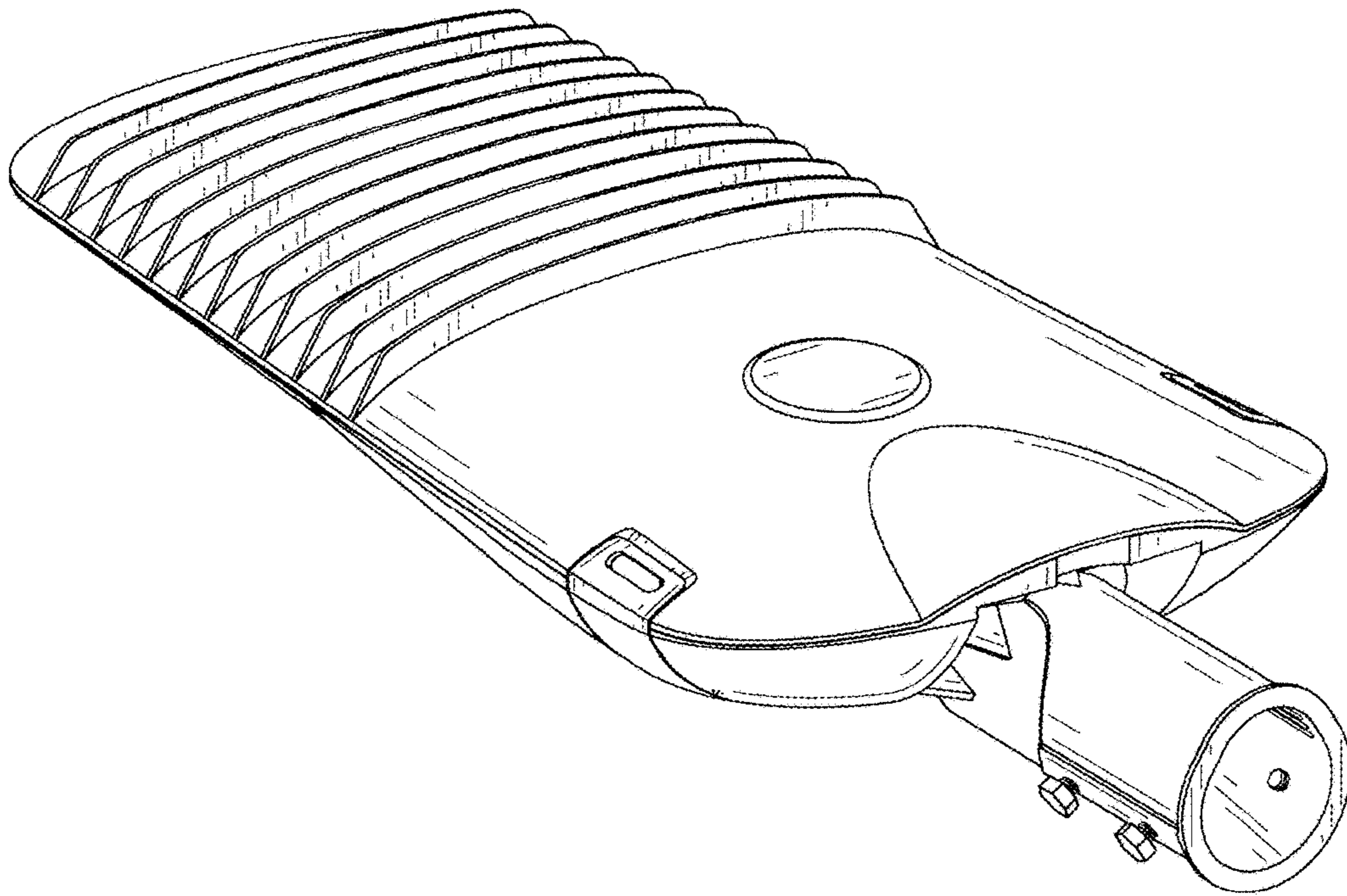


FIG. 7

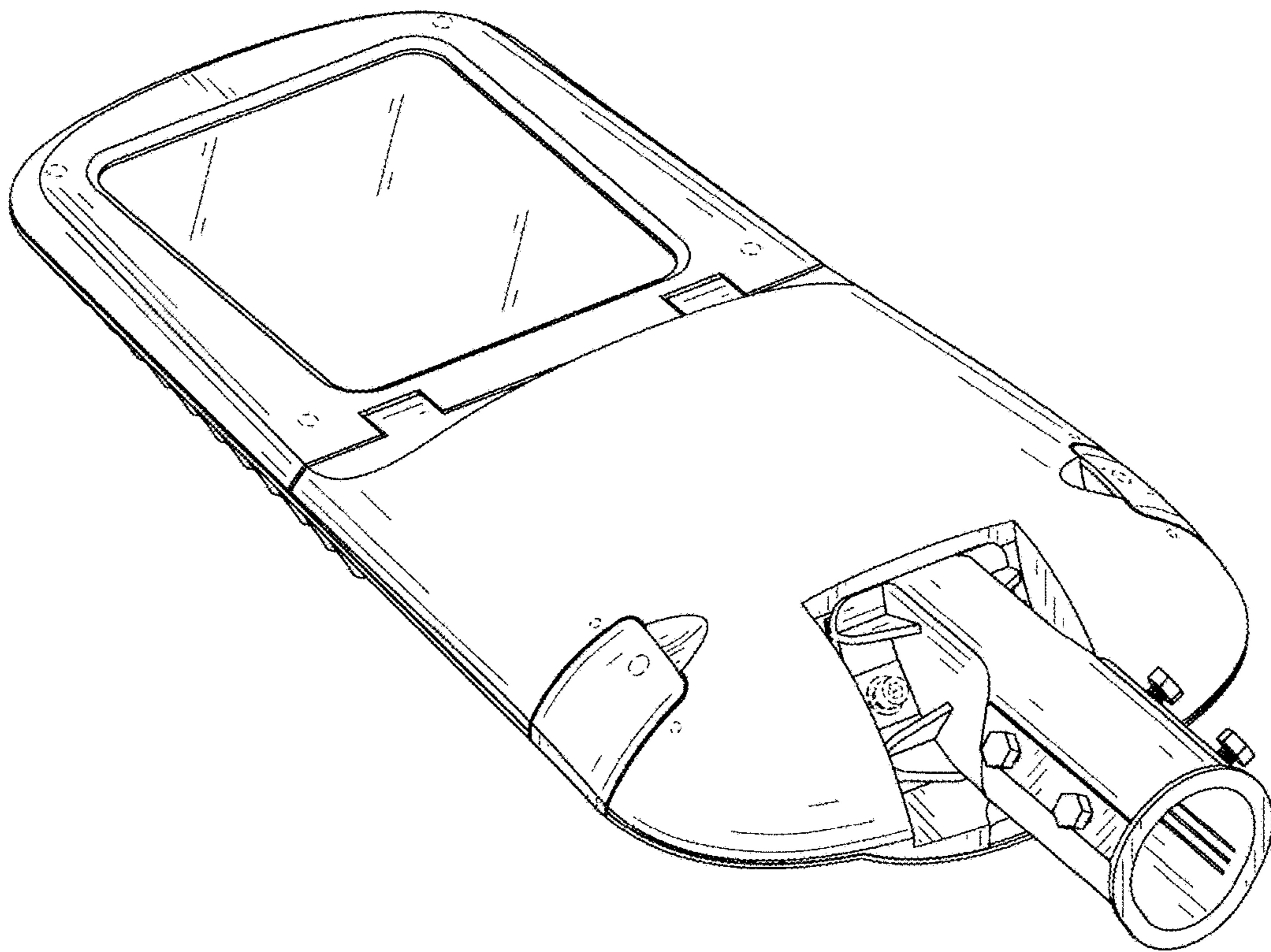


FIG. 8