



US00D826446S

(12) **United States Design Patent** (10) **Patent No.:** **US D826,446 S**
Chami et al. (45) **Date of Patent:** **** Aug. 21, 2018**

(54) **BOLLARD LUMINAIRE**
(71) Applicant: **MaxLite, Inc.**, West Caldwell, NJ (US)
(72) Inventors: **Aymen Chami**, Hackettstown, NJ (US);
Jun Xiang, Parsippany, NJ (US);
Jae-Young Choi, West Caldwell, NJ (US)
(73) Assignee: **MAXLITE, INC.**, West Caldwell, NJ (US)

(**) Term: **15 Years**

(21) Appl. No.: **29/603,196**

(22) Filed: **May 8, 2017**

(51) **LOC (11) Cl.** **26-05**

(52) **U.S. Cl.**
USPC **D26/68**

(58) **Field of Classification Search**
USPC D26/8, 67, 68, 85, 119, 129, 131, 132
CPC F21S 8/032; F21S 8/081; F21S 9/03; F21S 9/037; F21W 2131/109; F21W 2111/02; F21W 2111/023; F21W 2111/06; F21W 21/0824
See application file for complete search history.

(56) **References Cited**

U.S. PATENT DOCUMENTS

D209,416 S * 11/1967 Smith D25/129
D560,015 S * 1/2008 Richmond D26/68

D571,495 S * 6/2008 Berns D26/68
D588,738 S * 3/2009 Goetz-Schaefer D26/68
D663,460 S * 7/2012 Wauters D26/68
D679,436 S * 4/2013 Gismondi D26/68
D695,937 S * 12/2013 Duquette D26/68
D696,805 S * 12/2013 Duquette D26/68
D719,288 S * 12/2014 Sorensen D26/68
D721,197 S * 1/2015 Sorensen D26/68
D722,190 S * 2/2015 Rommens D26/68
D773,710 S * 12/2016 Ahrari D26/68
D796,100 S * 8/2017 Ahrari D26/68

* cited by examiner

Primary Examiner — Clare E Heflin

(74) *Attorney, Agent, or Firm* — Budzyn IP Law, LLC

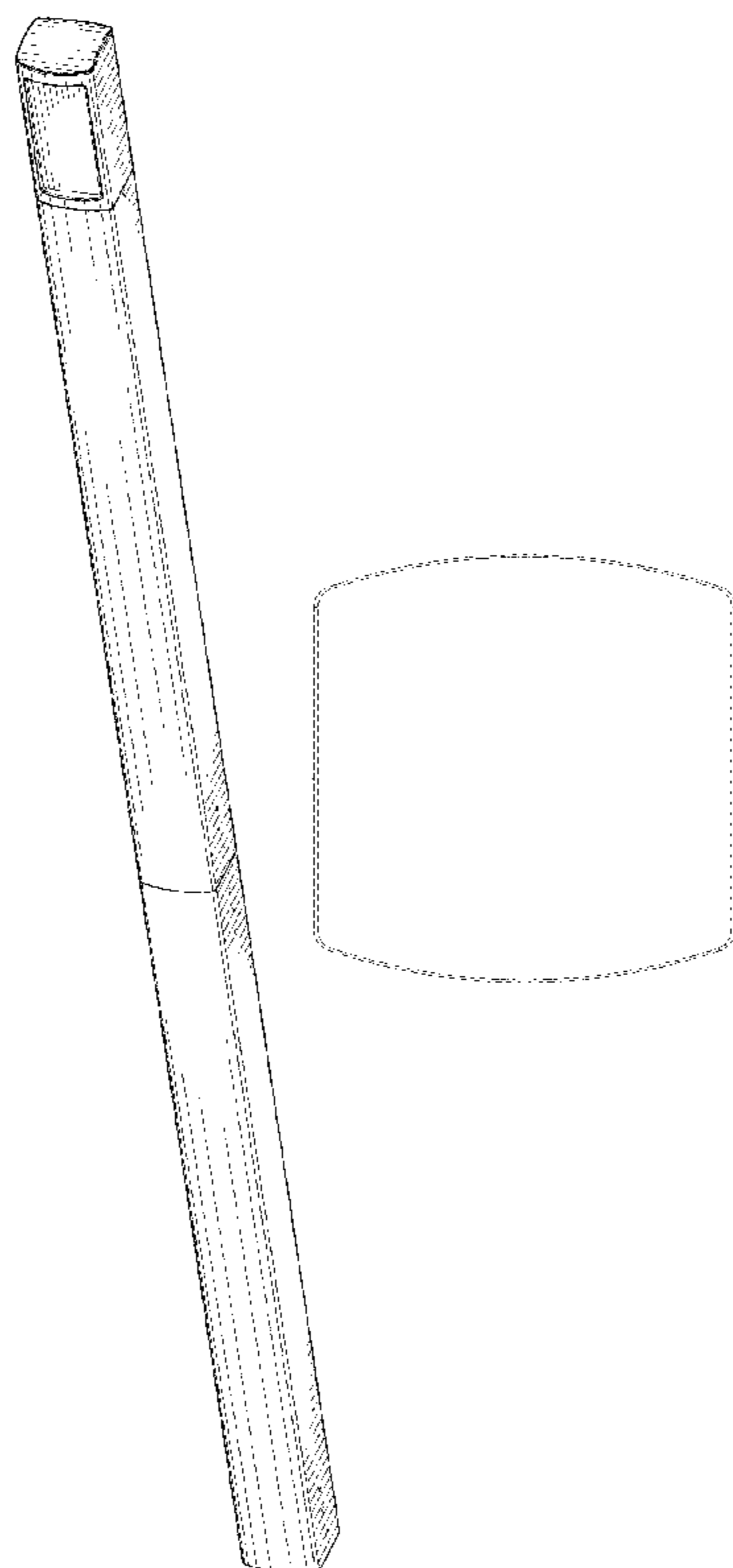
(57) **CLAIM**

The ornamental design for a bollard luminaire, as shown and described.

DESCRIPTION

FIG. 1 is a front, upward perspective view of a bollard luminaire;
FIG. 2 is a front, downward perspective view thereof;
FIG. 3 is a front elevational view thereof, the rear elevational view being identical thereto;
FIG. 4 is a right side elevational view thereof, the left side elevational view being identical thereto;
FIG. 5 is a top plan view thereof; and,
FIG. 6 is a bottom plan view thereof.
The broken lines in the drawings represent the boundary of the claimed design.

1 Claim, 4 Drawing Sheets



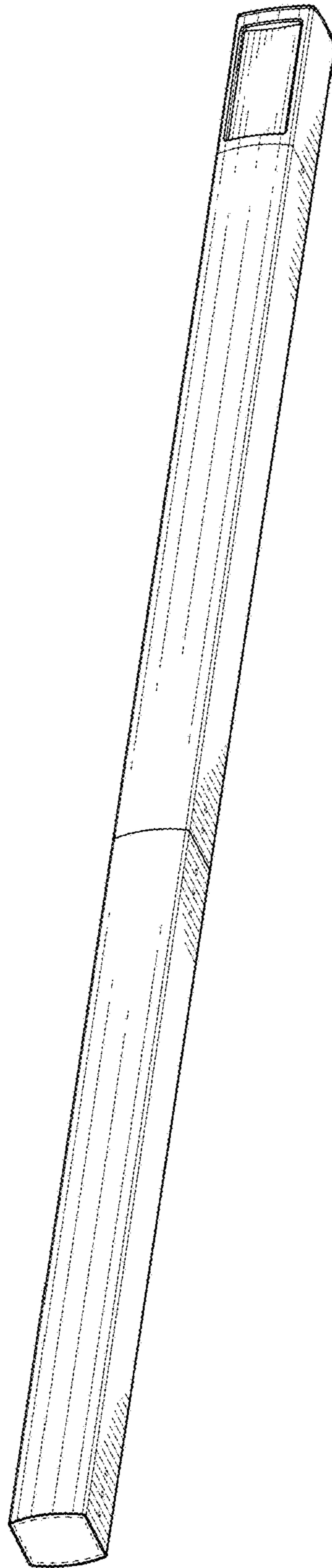


FIGURE 1

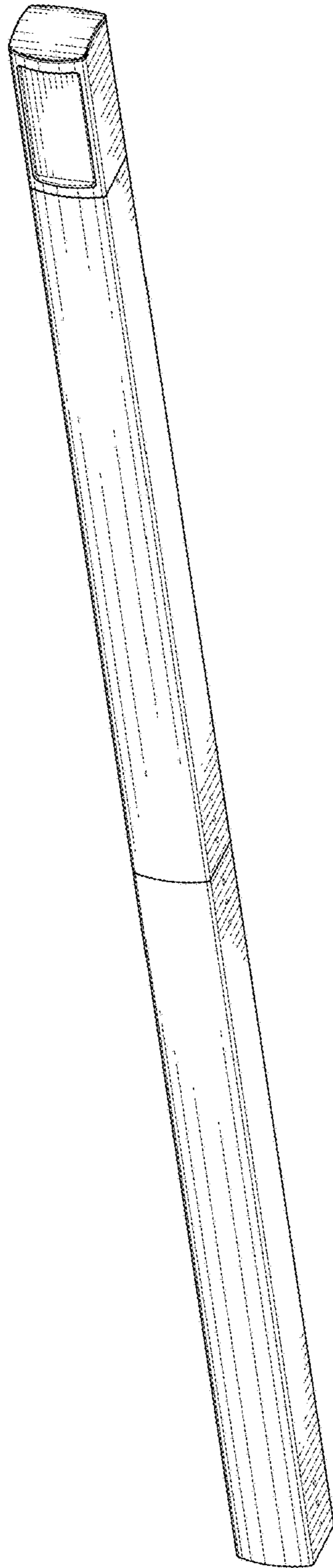


FIGURE 2

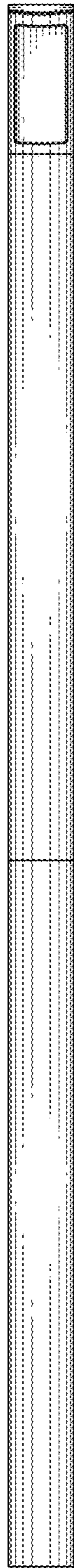


FIGURE 3

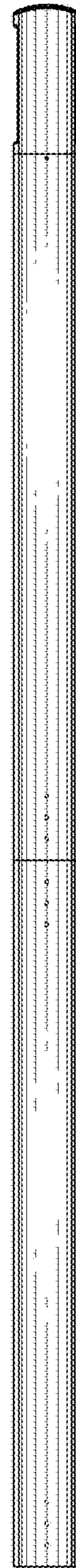


FIGURE 4

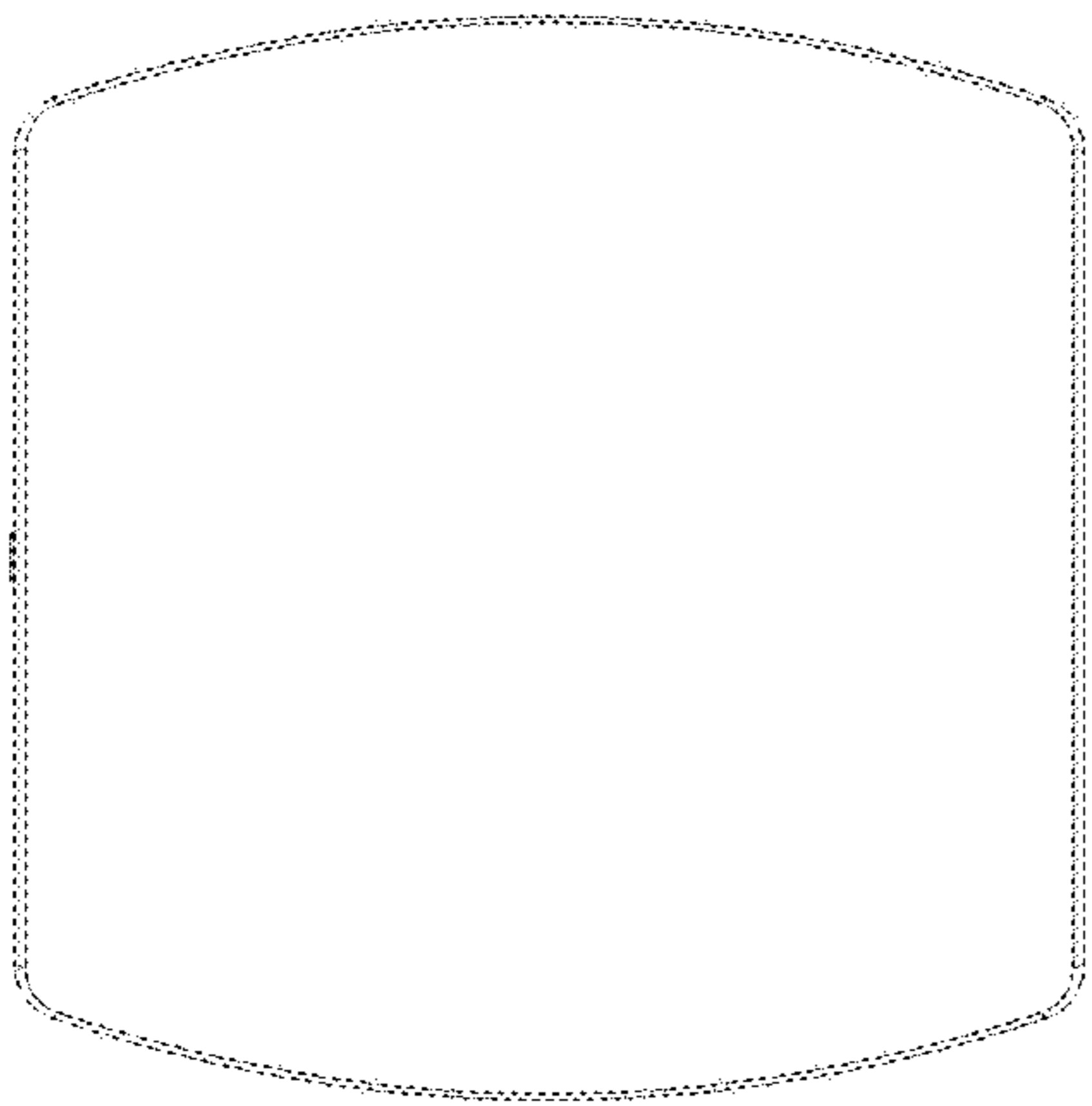


FIGURE 5

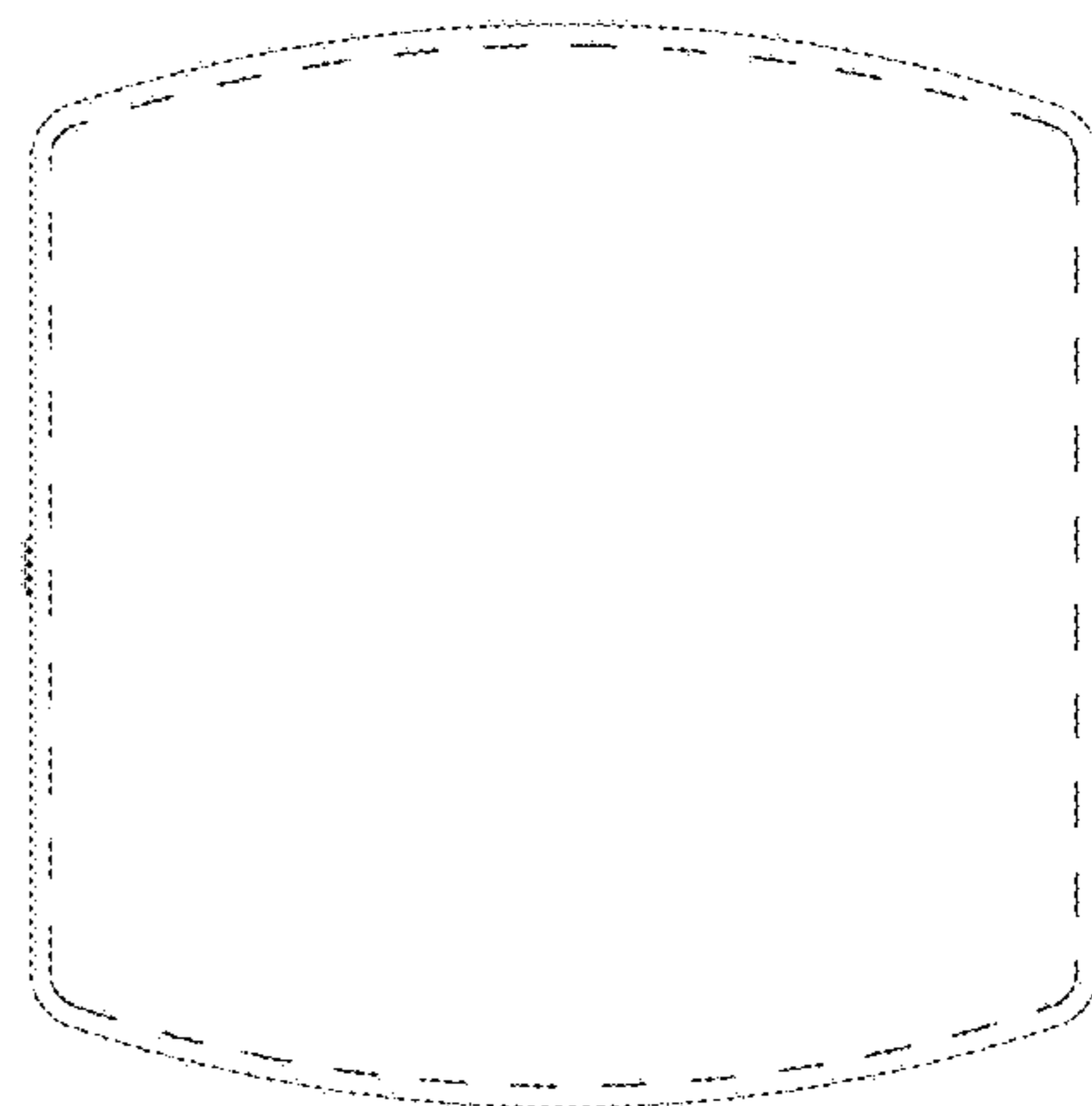


FIGURE 6