



US00D826445S

(12) **United States Design Patent**
Cao et al.

(10) **Patent No.:** **US D826,445 S**

(45) **Date of Patent:** **** Aug. 21, 2018**

(54) **INFRARED SENSOR LAMP**

(71) Applicant: **JIUJIANG TANJEON TECHNOLOGY CO. LTD.**, Jiujiang, Jiangxi (CN)

(72) Inventors: **Junjun Cao**, Zhejiang (CN); **Zhiping Hu**, Zhejiang (CN); **Zhulin Liu**, Zhejiang (CN)

(73) Assignee: **JIUJIANG TANJEON TECHNOLOGY CO., LTD.** (CN)

(**) Term: **15 Years**

(21) Appl. No.: **29/608,840**

(22) Filed: **Jun. 26, 2017**

(51) **LOC (11) Cl.** **26-03**

(52) **U.S. Cl.**
USPC **D26/63**

(58) **Field of Classification Search**
USPC D26/24, 51, 61, 63, 65, 72, 80
CPC F21S 8/04; F21S 8/00; F21V 21/00; F21V 17/02; F21V 14/02; F21V 21/30; F21V 21/14; F21V 21/26; F21W 2131/10
See application file for complete search history.

(56) **References Cited**

U.S. PATENT DOCUMENTS

5,649,761 A * 7/1997 Sandell F21V 17/02
362/276
D713,579 S * 9/2014 Chen D26/63

D713,582 S * 9/2014 Liang D26/63
D742,053 S * 10/2015 Sussman D26/63
D765,901 S * 9/2016 Chen D26/63
D774,231 S * 12/2016 Recker D26/63

* cited by examiner

Primary Examiner — Brian N. Vinson

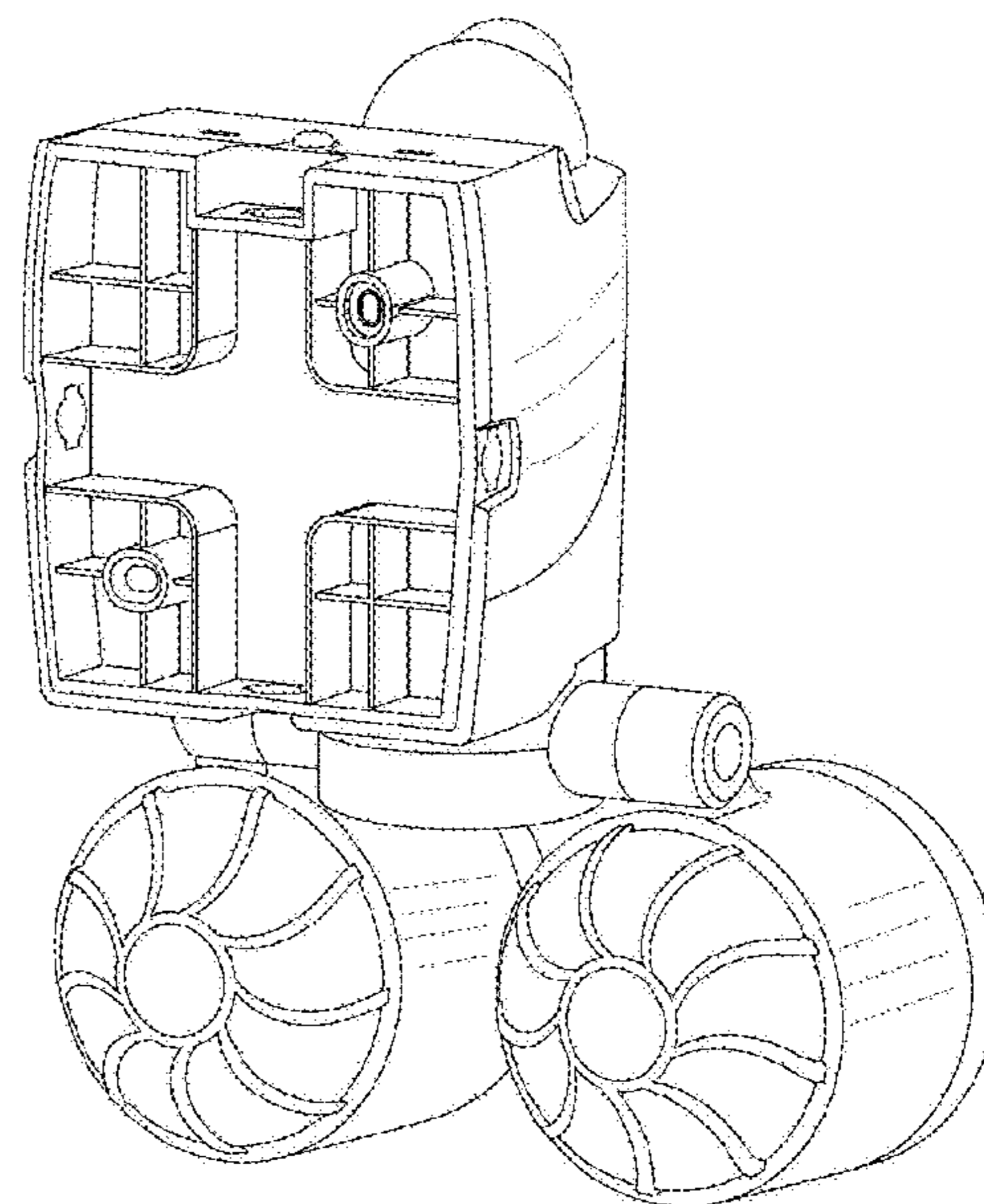
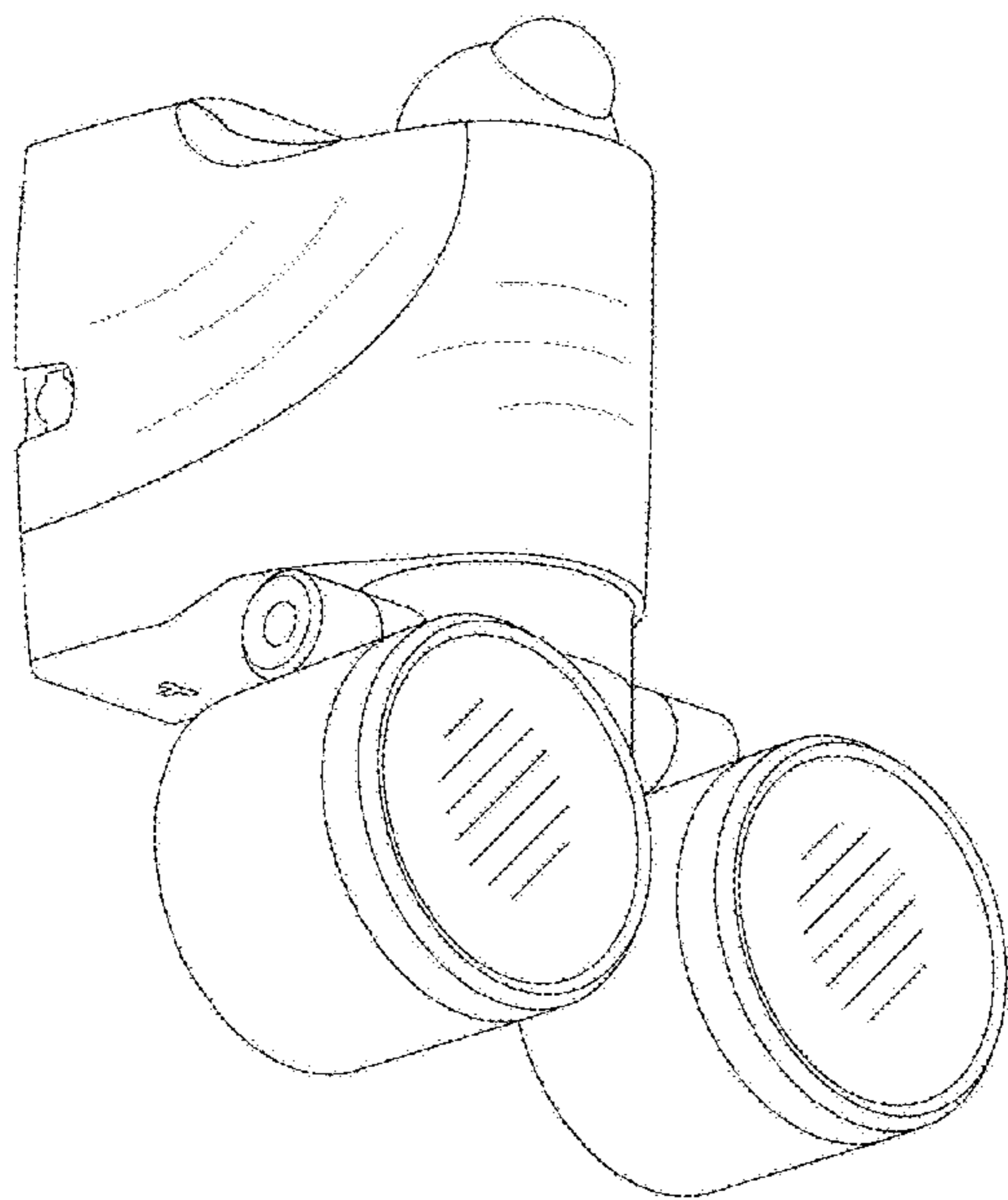
(57) **CLAIM**

The ornamental design for an infrared sensor lamp, as shown and described.

DESCRIPTION

FIG. 1 is a front view of the infrared sensor lamp showing our new design;
FIG. 2 is a back view thereof;
FIG. 3 is a left side view thereof;
FIG. 4 is a right side view thereof;
FIG. 5 is a top view thereof;
FIG. 6 is a bottom view thereof;
FIG. 7 is a perspective view thereof; and,
FIG. 8 is another perspective view thereof.
The broken line disclosure represents portions of the infrared sensor lamp which form no part of the claimed design.

1 Claim, 8 Drawing Sheets



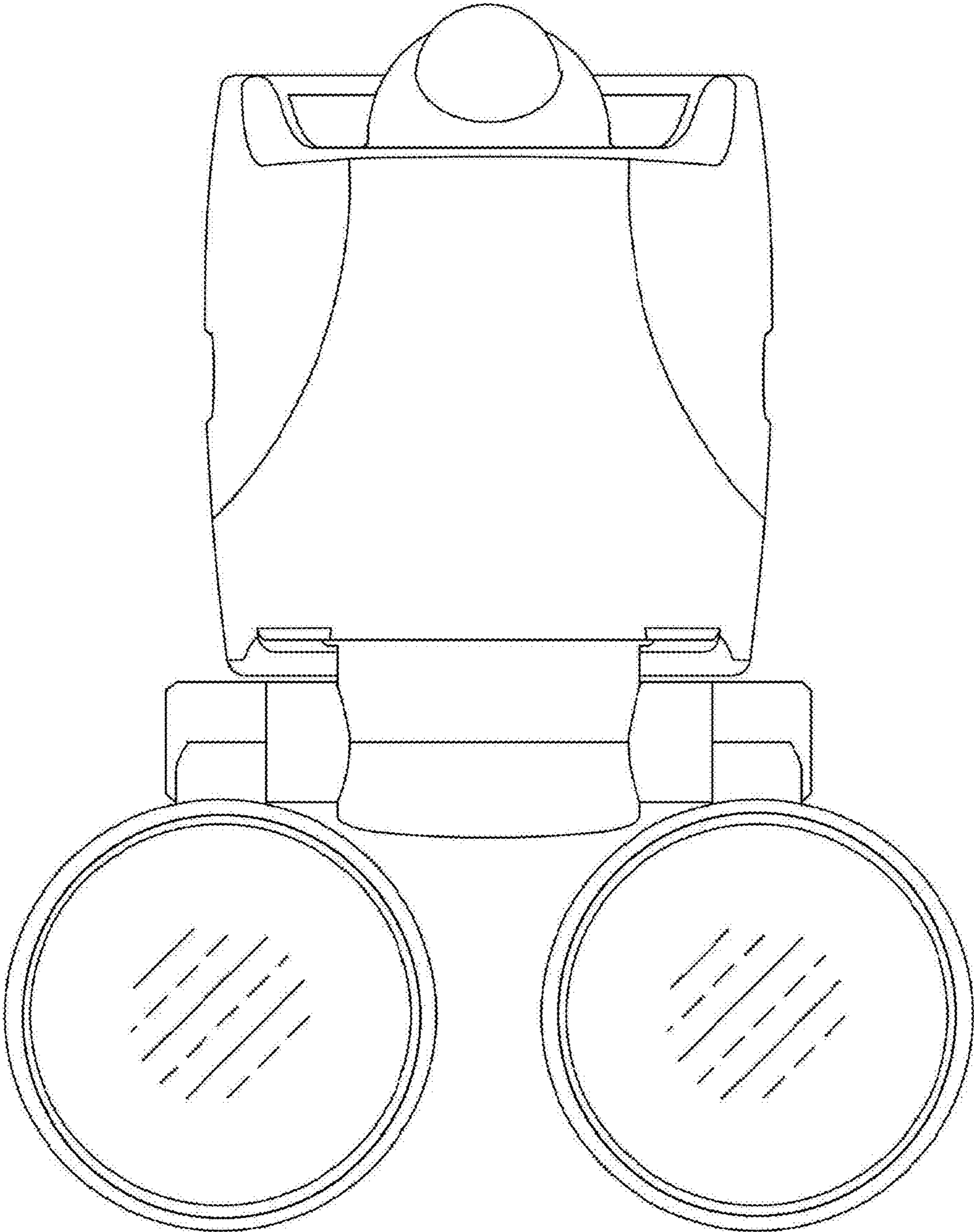


FIG. 1

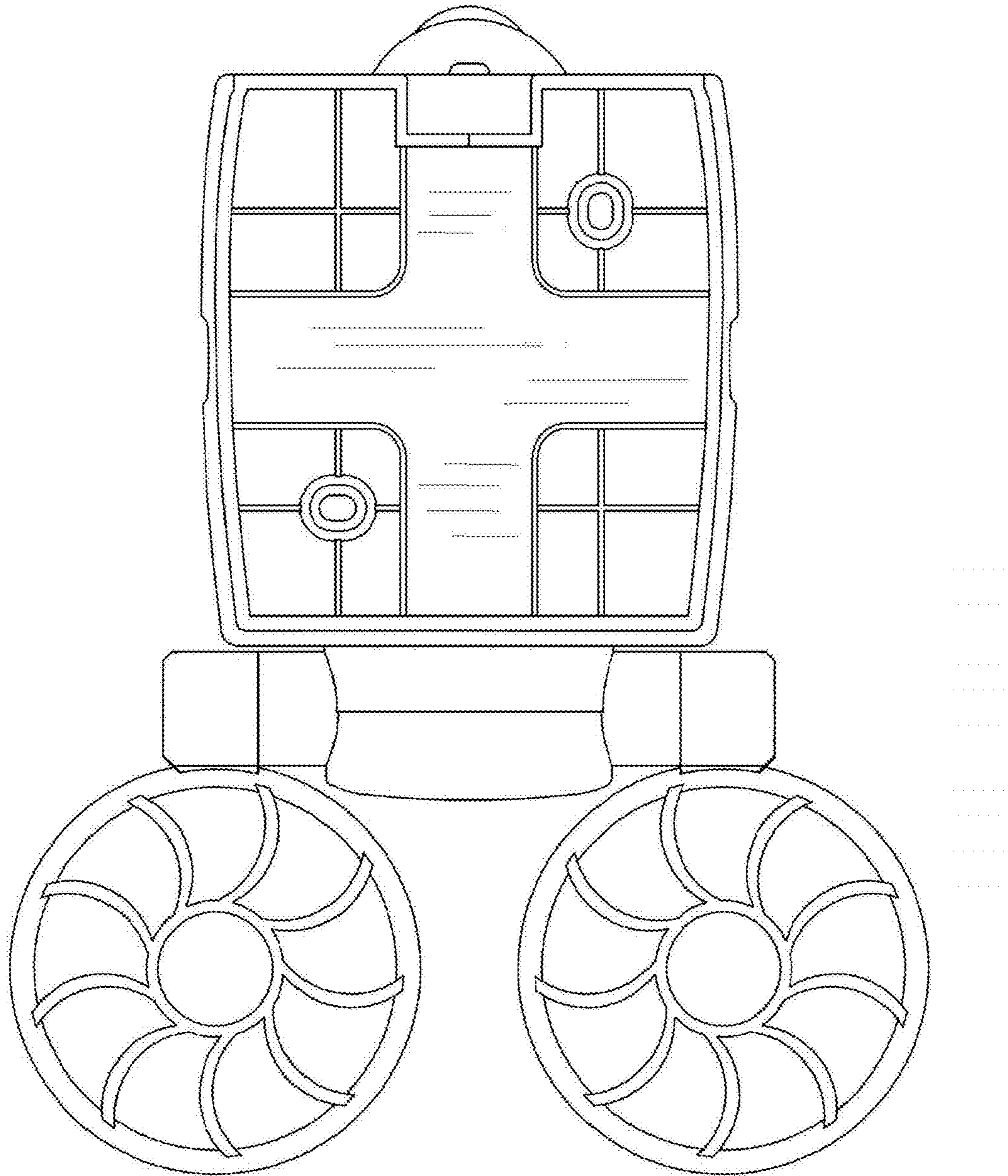


FIG. 2

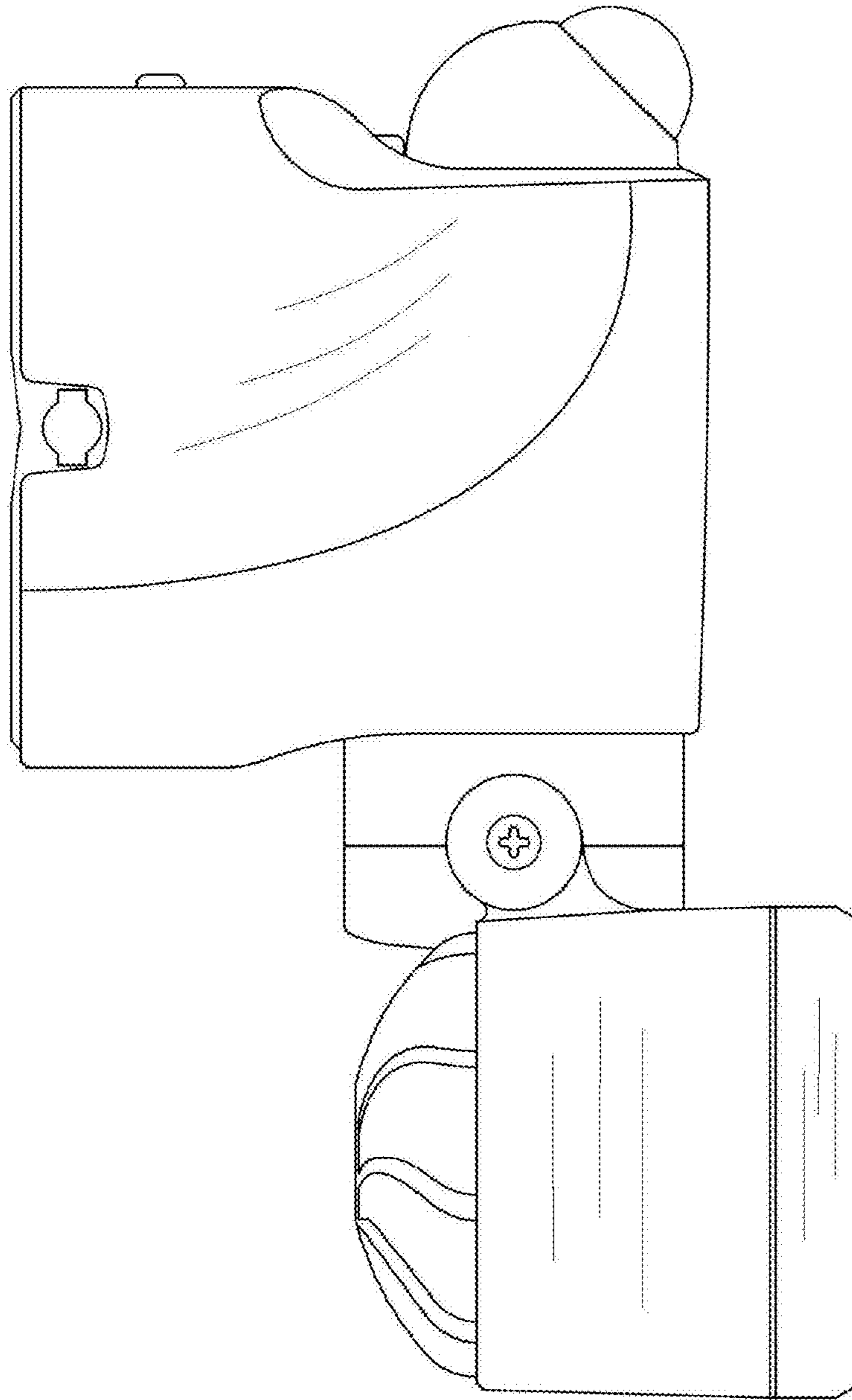


FIG. 3

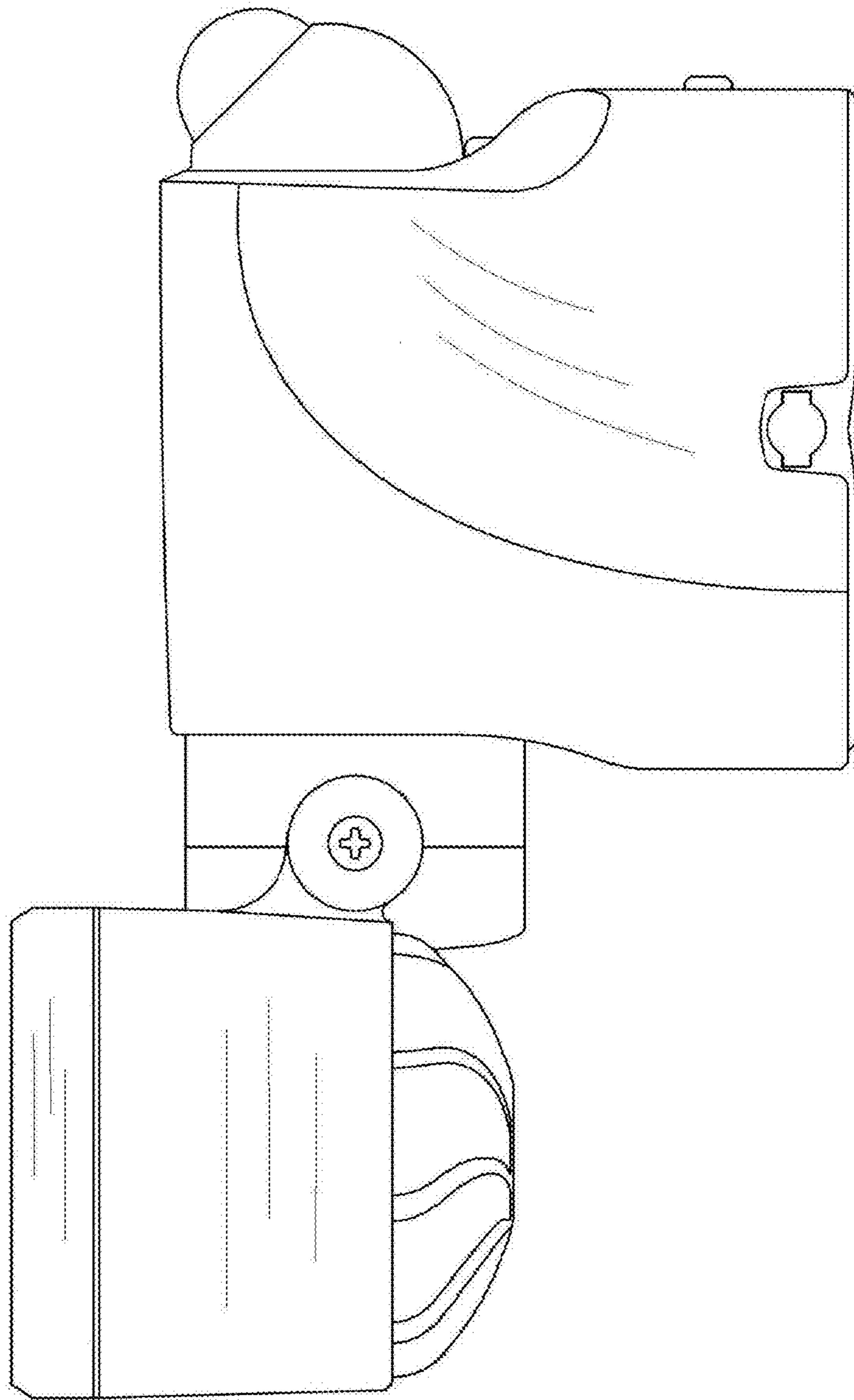


FIG. 4

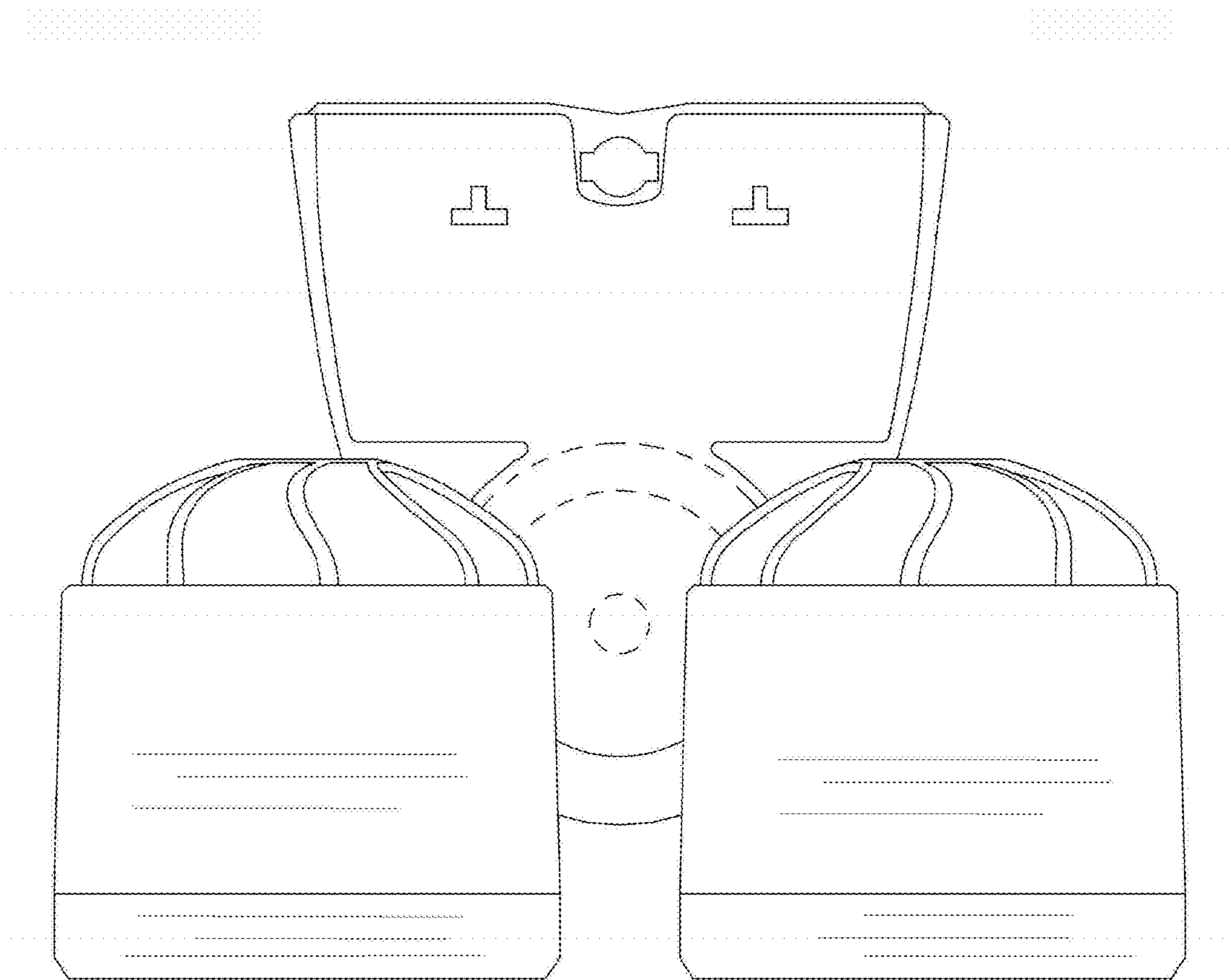


FIG. 5

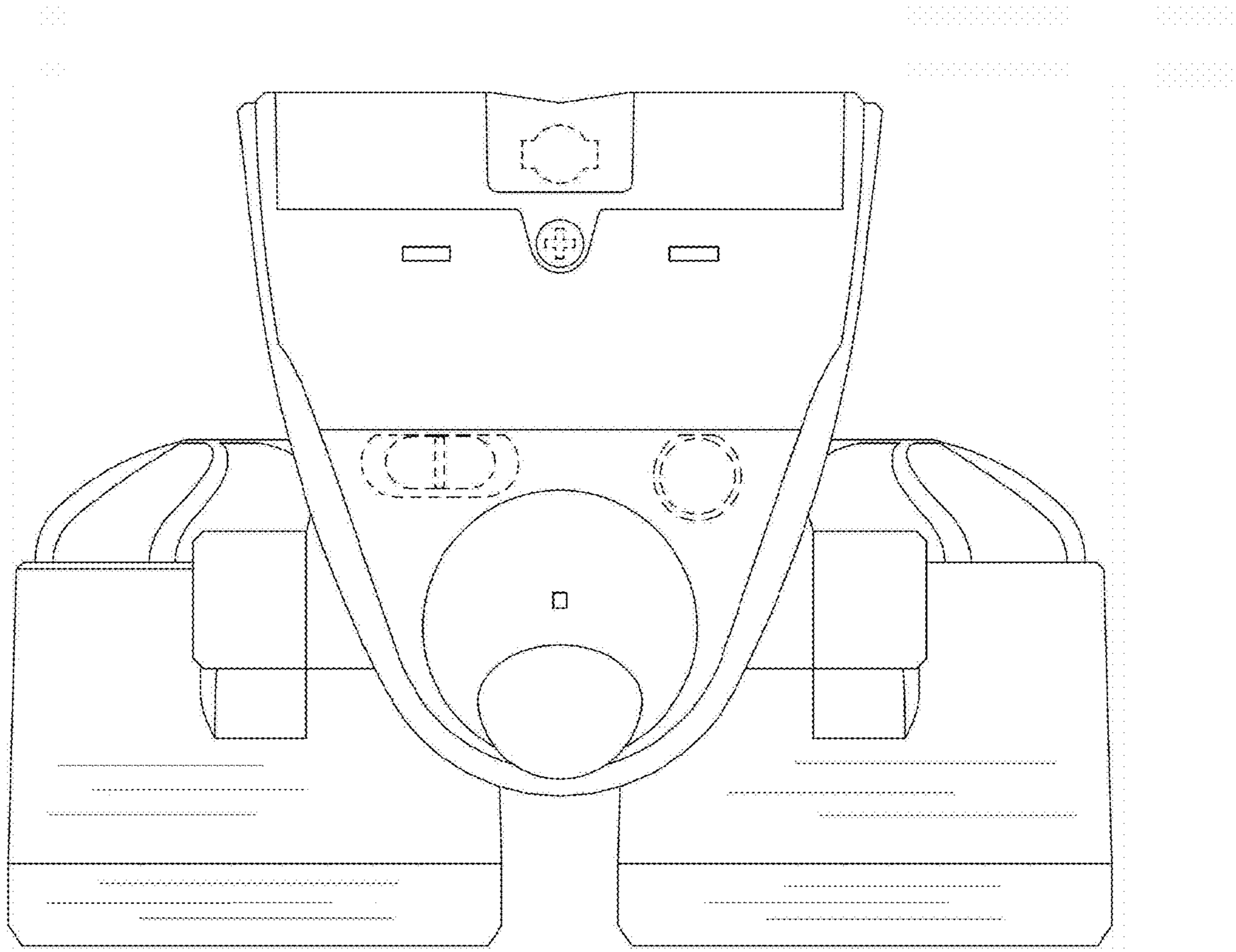


FIG. 6

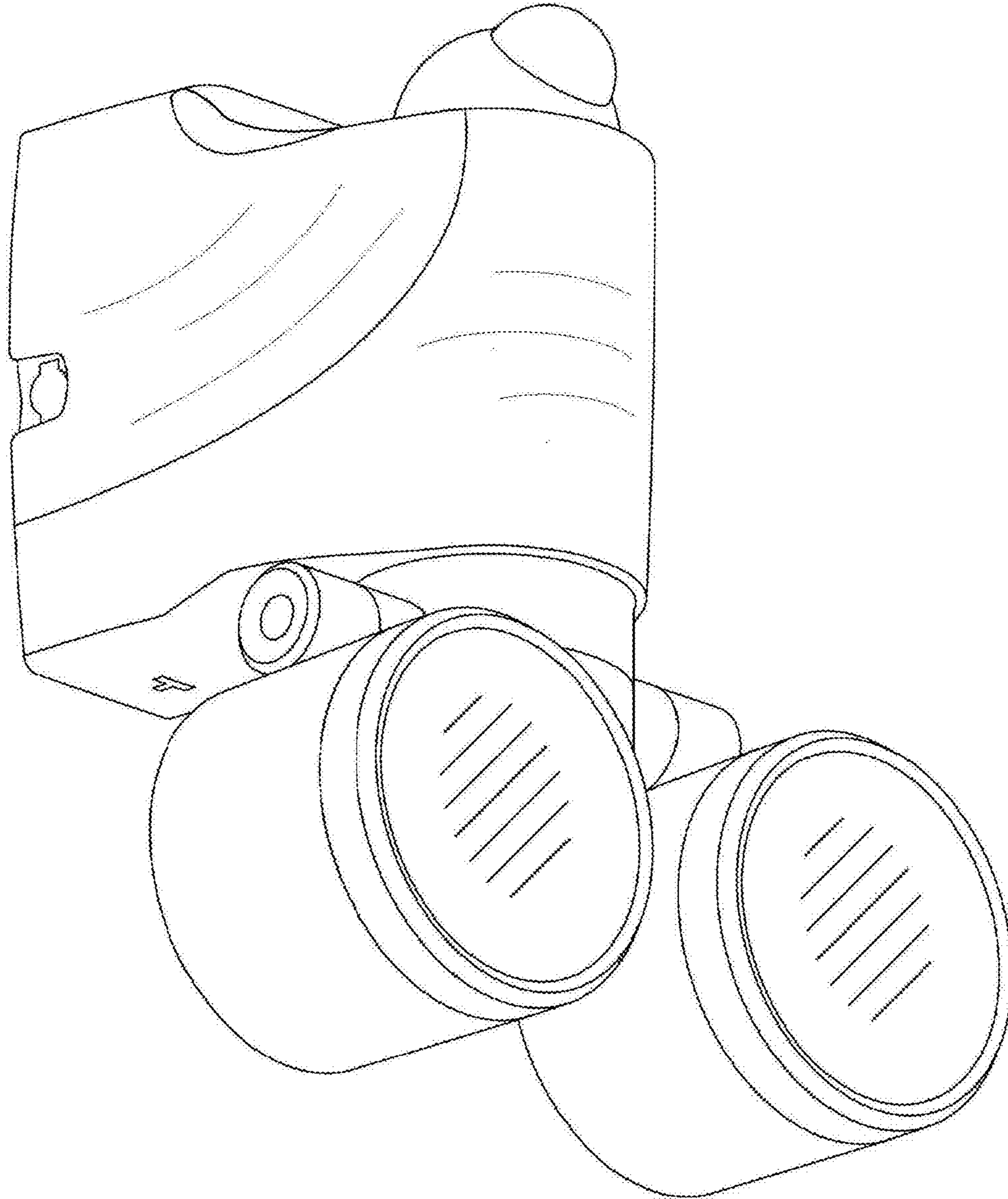


FIG. 7

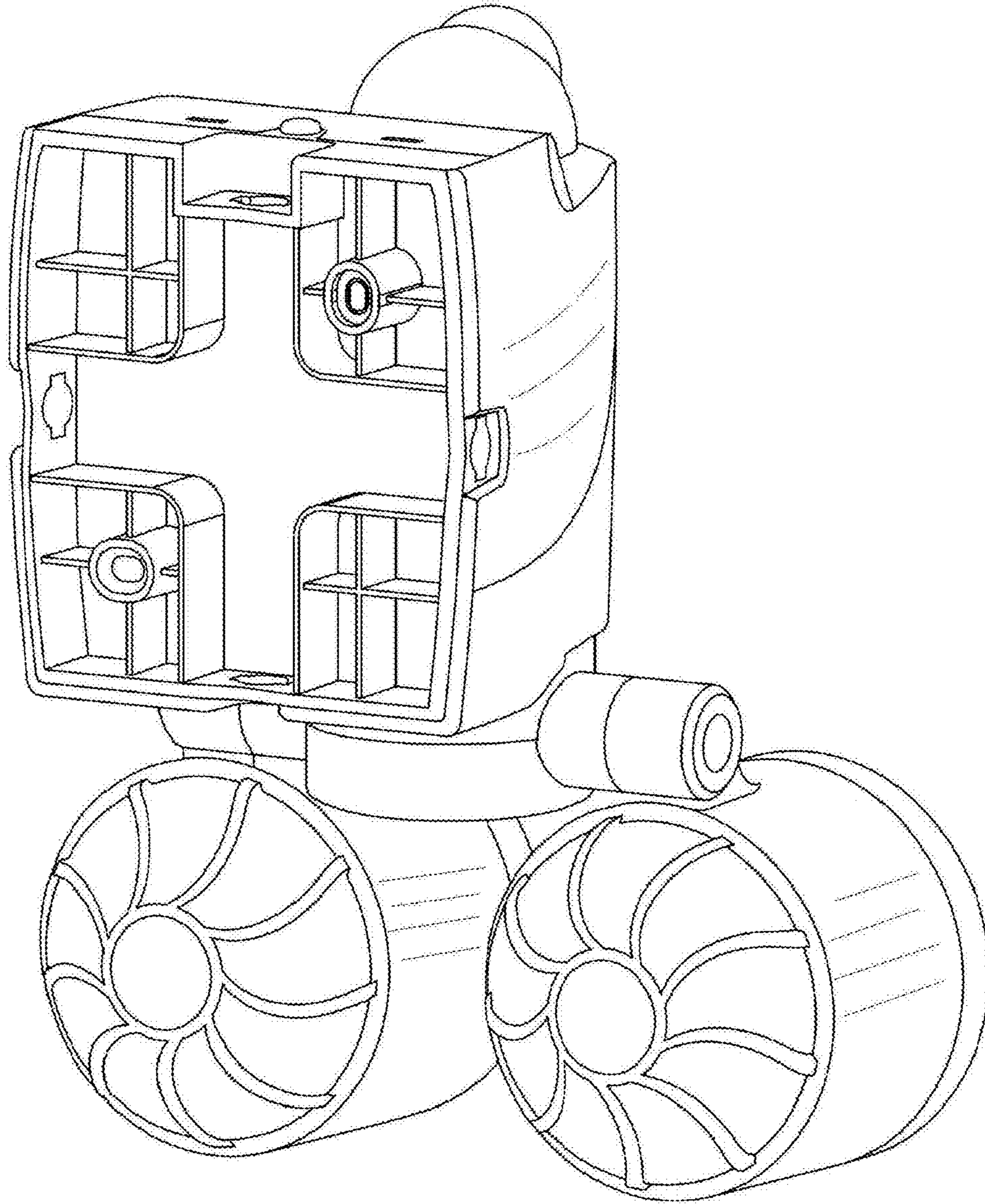


FIG. 8