



US00D826442S

(12) **United States Design Patent**
Waldmann

(10) **Patent No.:** **US D826,442 S**

(45) **Date of Patent:** **** Aug. 21, 2018**

(54) **LAMP**

(71) Applicant: **HERBERT WALDMANN GMBH & CO. KG**, Villingen-Schwenningen (DE)

(72) Inventor: **Gerhard Waldmann**, Stein am Rhein (CH)

(73) Assignee: **HERBERT WALDMANN GMBH & CO. KG**, Villingen-Schwenningen (DE)

(**) Term: **15 Years**

(21) Appl. No.: **35/500,827**

(22) Filed: **Feb. 25, 2016**

(80) **Hague Agreement Data**

Int. Filing Date: **Feb. 25, 2016**

Int. Reg. No.: **DM/090023**

Int. Reg. Date: **Feb. 25, 2016**

Int. Reg. Pub. Date: **Apr. 15, 2016**

(51) **LOC (11) Cl.** **26-03**

(52) **U.S. Cl.**
USPC **D26/60**

(58) **Field of Classification Search**
USPC D26/26, 37, 39, 44, 57, 73, 60-65;
362/98, 99, 157, 171-174, 183-208,
362/473-476, 523, 545
CPC F21S 4/00; B62J 6/001; B62J 6/02; B62J
6/003

See application file for complete search history.

(56) **References Cited**

U.S. PATENT DOCUMENTS

D505,741 S * 5/2005 Avery D26/60
D524,977 S * 7/2006 Smith D26/113

D525,381 S * 7/2006 Hodgson D26/60
D535,046 S * 1/2007 Smith D26/60
D574,099 S * 7/2008 Leen D26/60
D574,100 S * 7/2008 Leen D26/60
D648,883 S * 11/2011 Levine D26/60
D670,845 S * 11/2012 Hsu D26/60
D686,768 S * 7/2013 Burns D26/60

* cited by examiner

Primary Examiner — Zenia Bennett

(74) *Attorney, Agent, or Firm* — Muirhead and Saturnelli, LLC

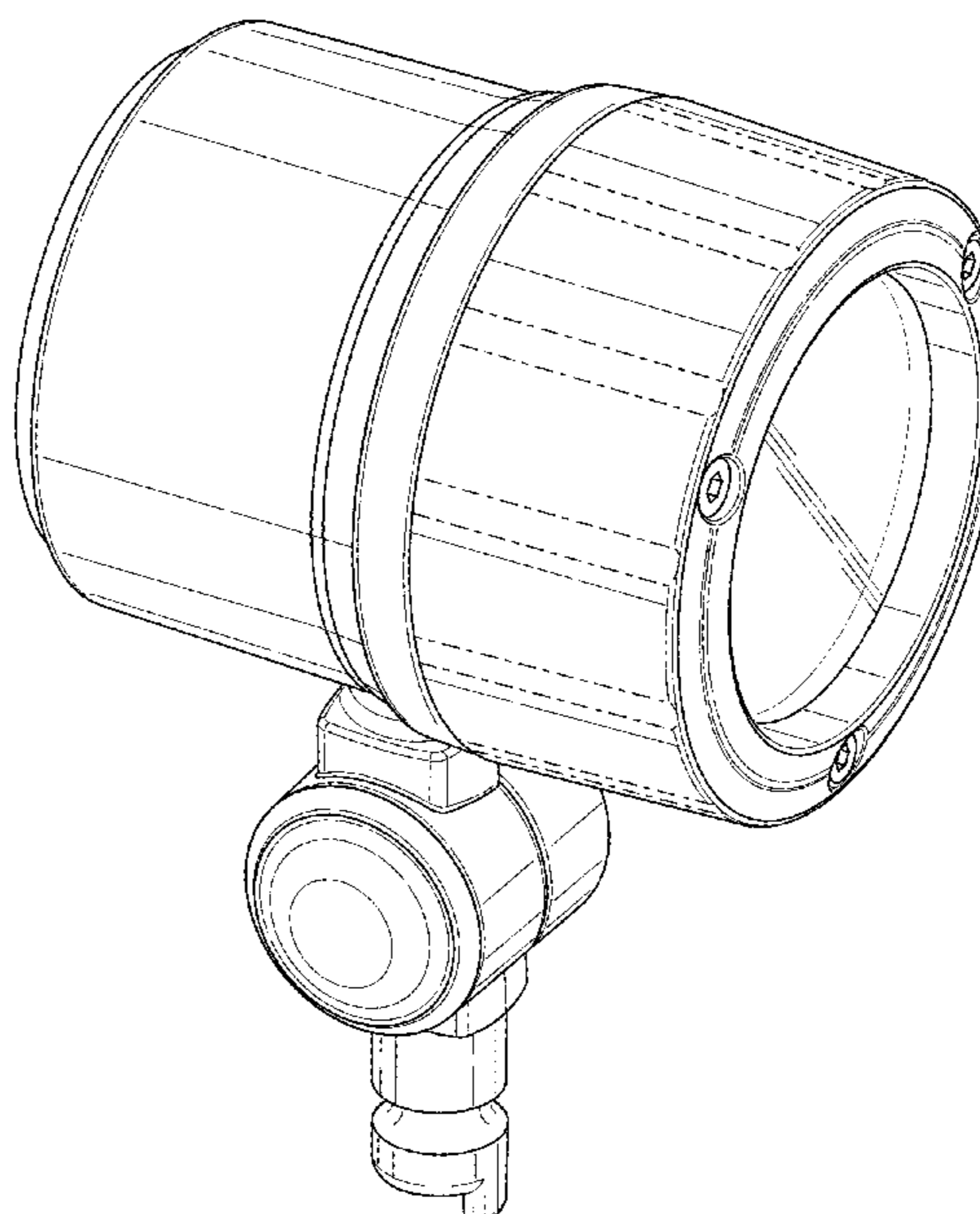
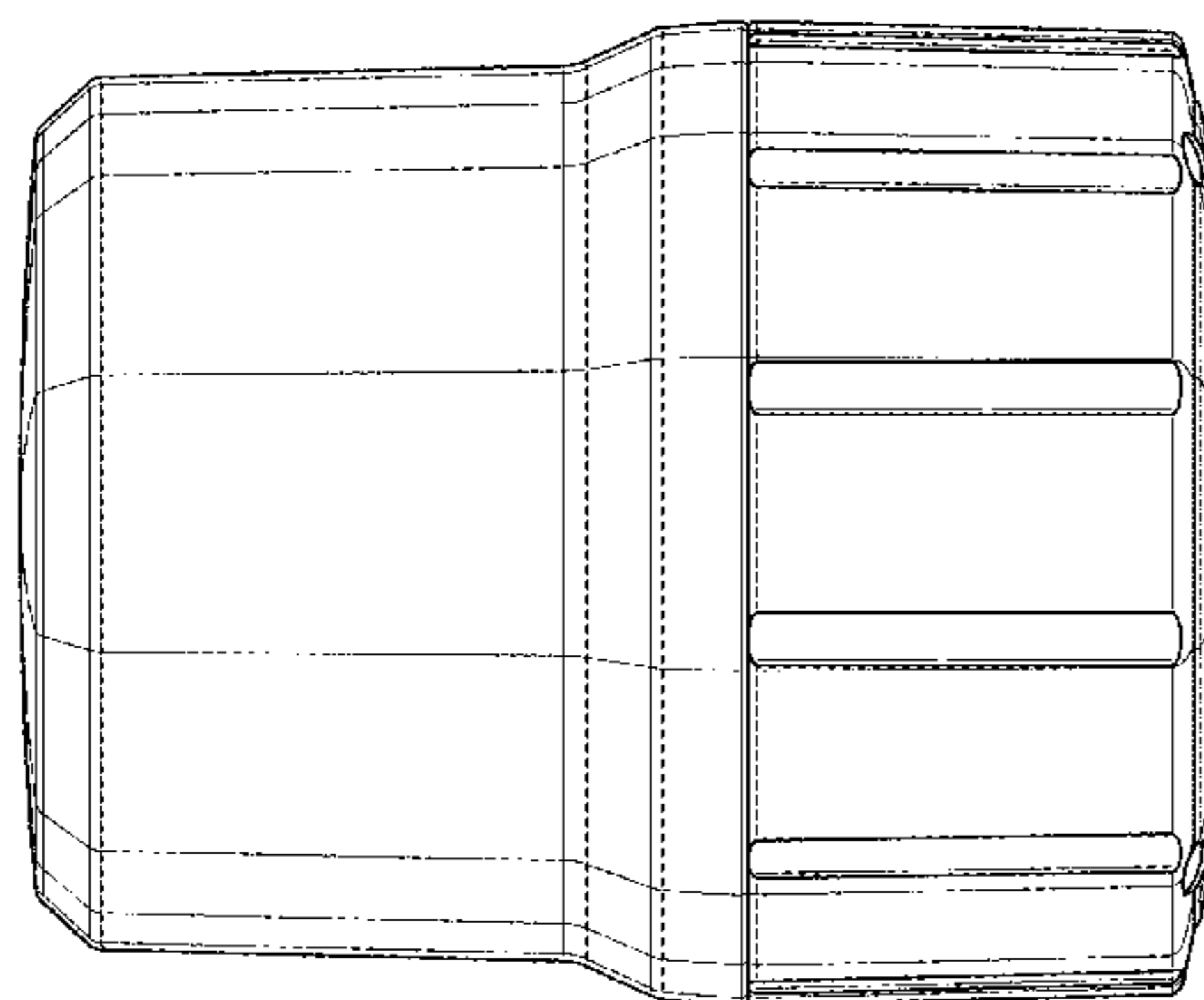
(57) **CLAIM**

The ornamental design for a lamp, as shown and described.

DESCRIPTION

FIG. 1.1 is a first top view of a new design for a lamp.
FIG. 1.2 is a first left side view thereof.
FIG. 1.3 is a first perspective view thereof.
FIG. 1.4 is a first right side view thereof.
FIG. 1.5 is a first bottom view thereof.
FIG. 1.6 is a first front view thereof.
FIG. 1.7 is a first rear view thereof.
FIG. 1.8 is a second top view thereof.
FIG. 1.9 is a second left side view thereof.
FIG. 1.10 is a second perspective view thereof.
FIG. 1.11 is a second right side view thereof.
FIG. 1.12 is a second bottom view thereof.
FIG. 1.13 is a second front view thereof.
FIG. 1.14 is a second rear view thereof.
The broken lines depicting portions of the lamp are for environmental purposes only and form no part of the claimed design.

1 Claim, 14 Drawing Sheets



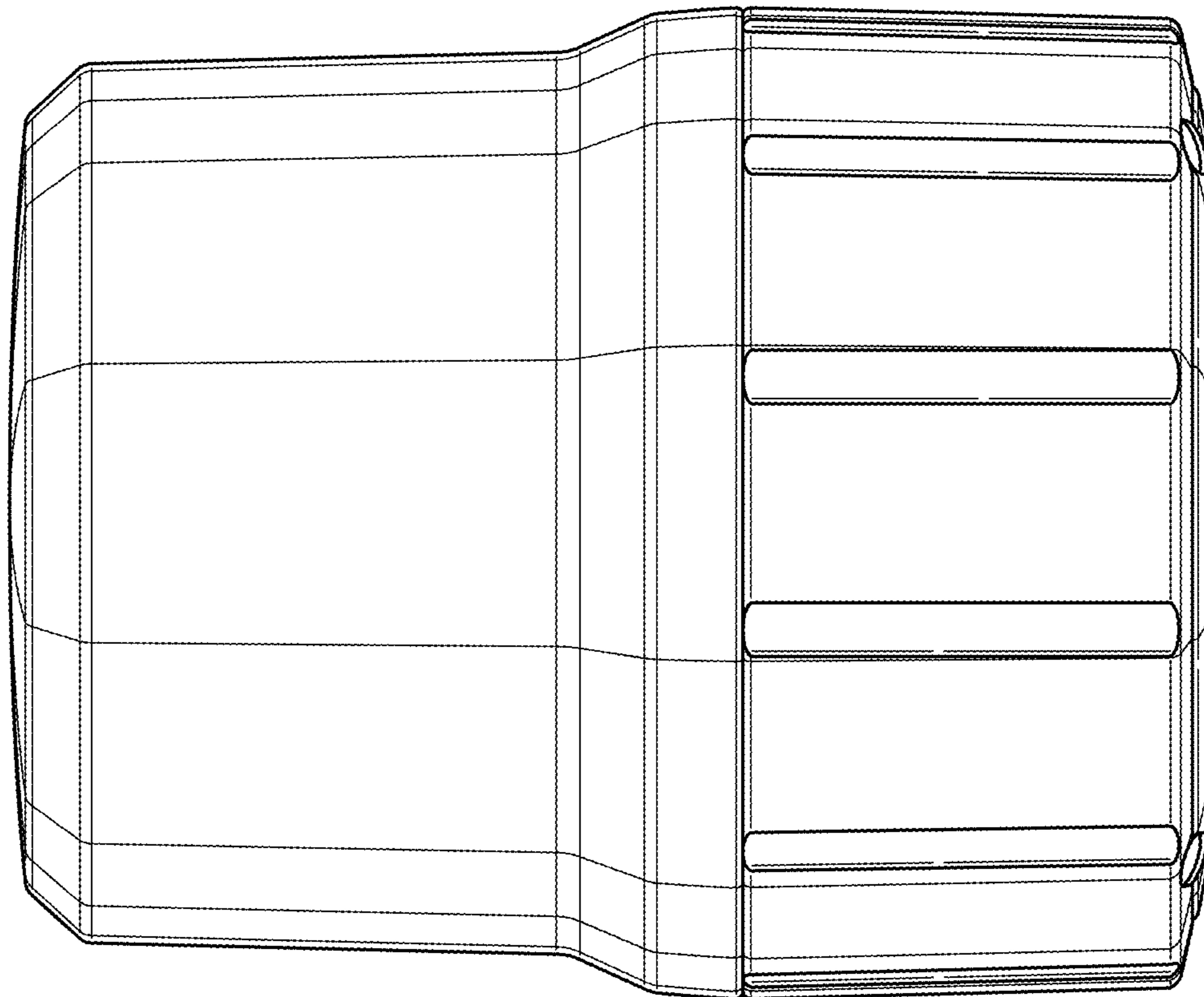


FIG. 1.1

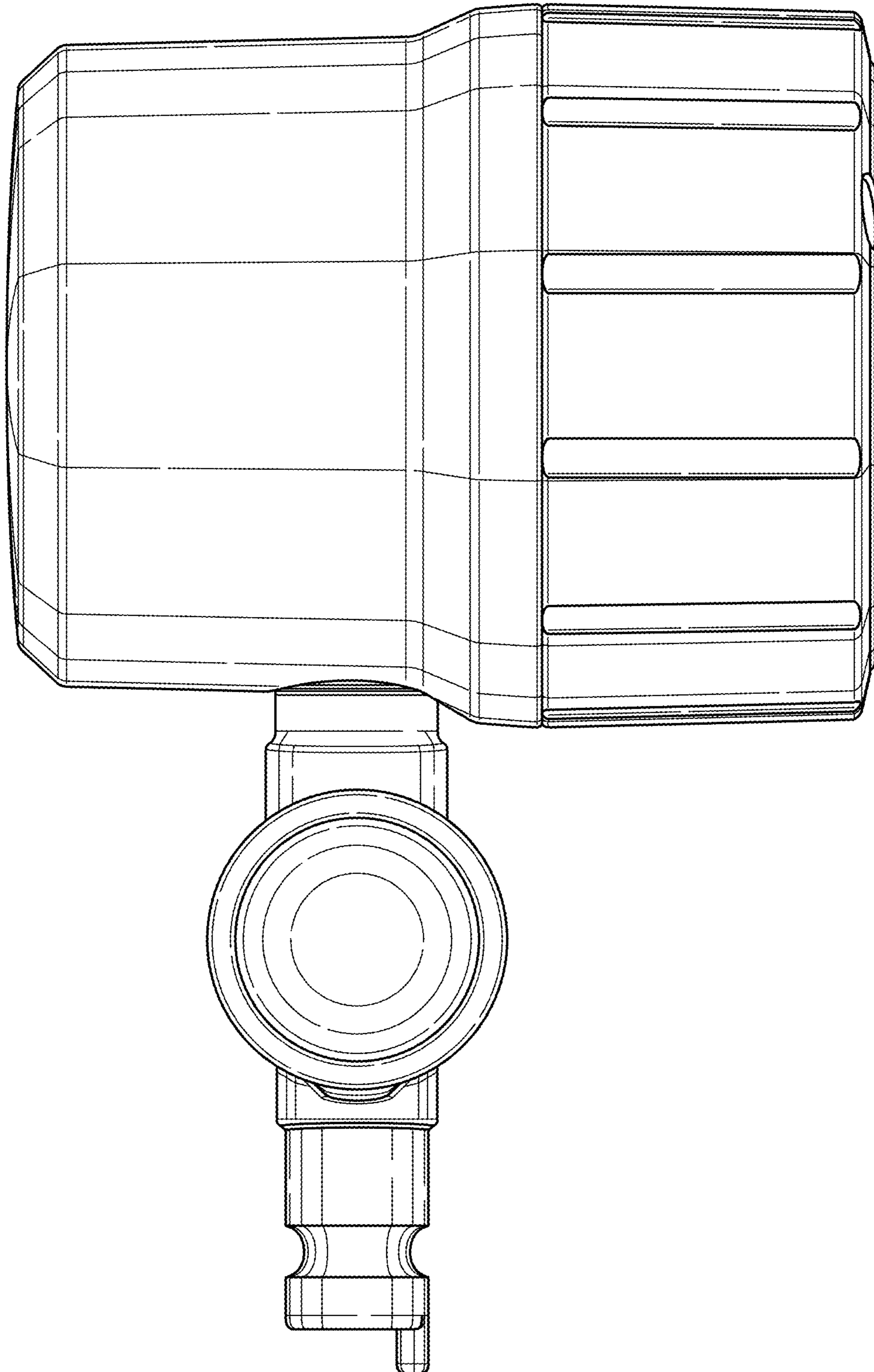


FIG. 1.2

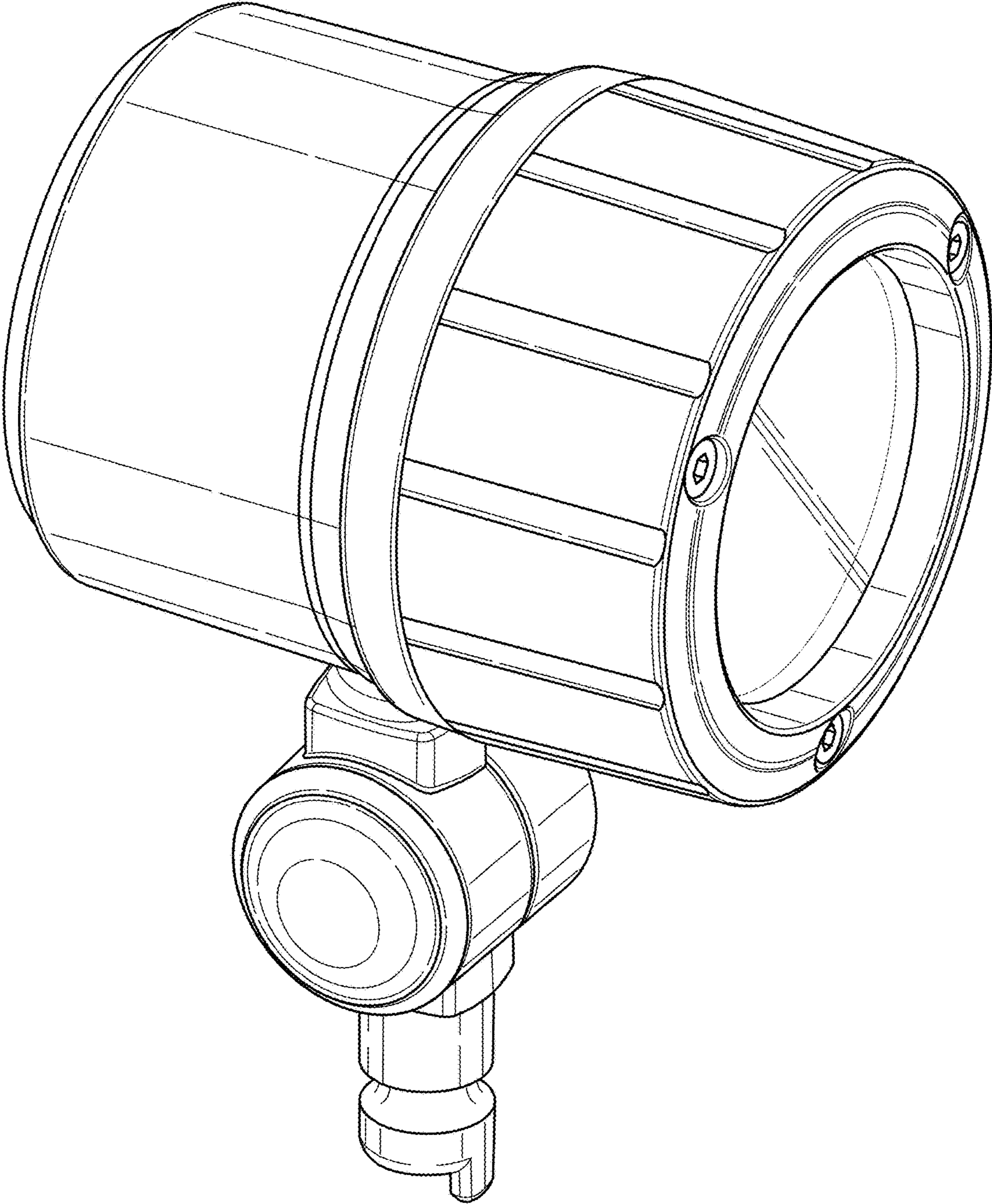


FIG. 1.3

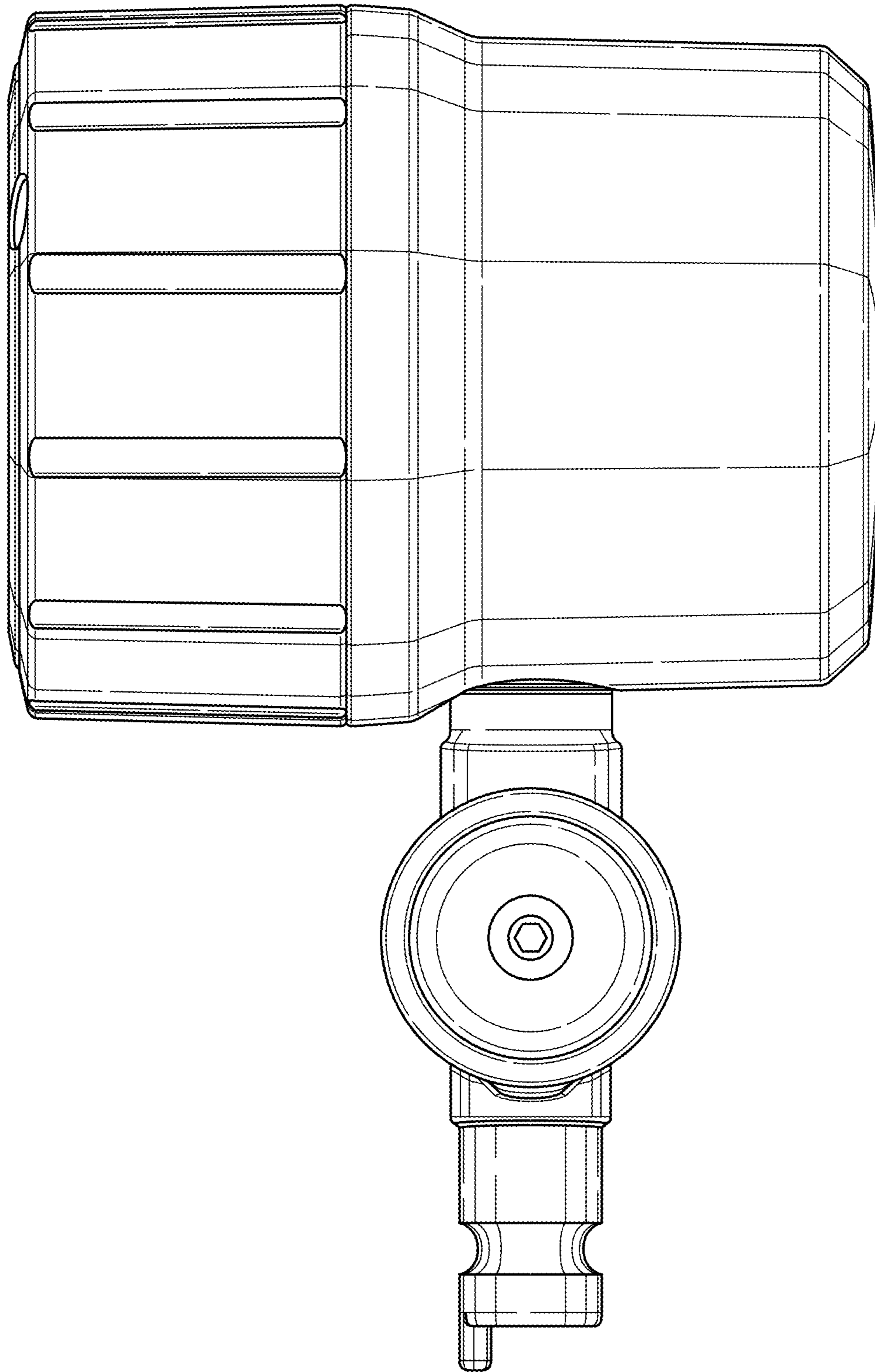


FIG. 1.4

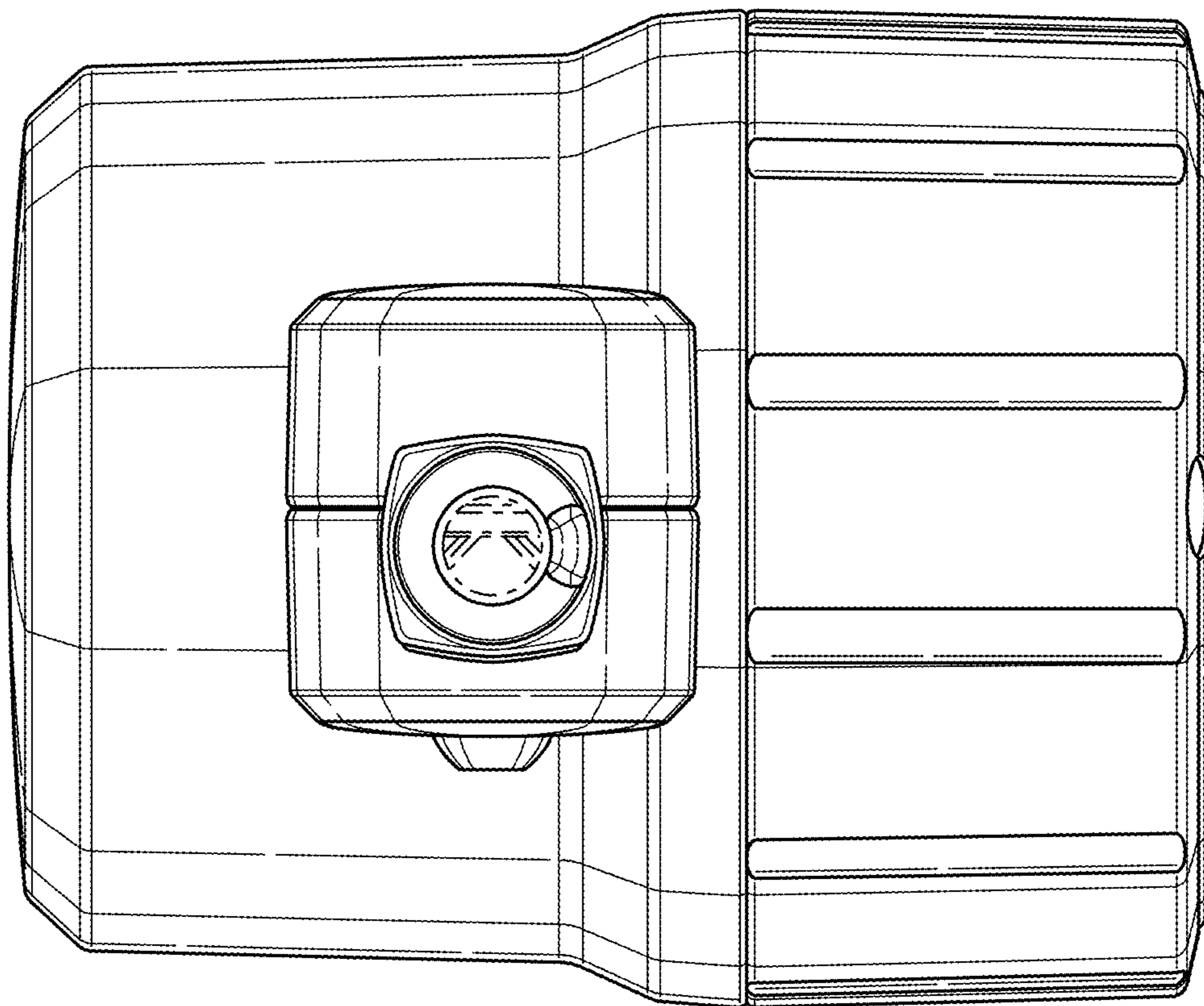


FIG. 1.5

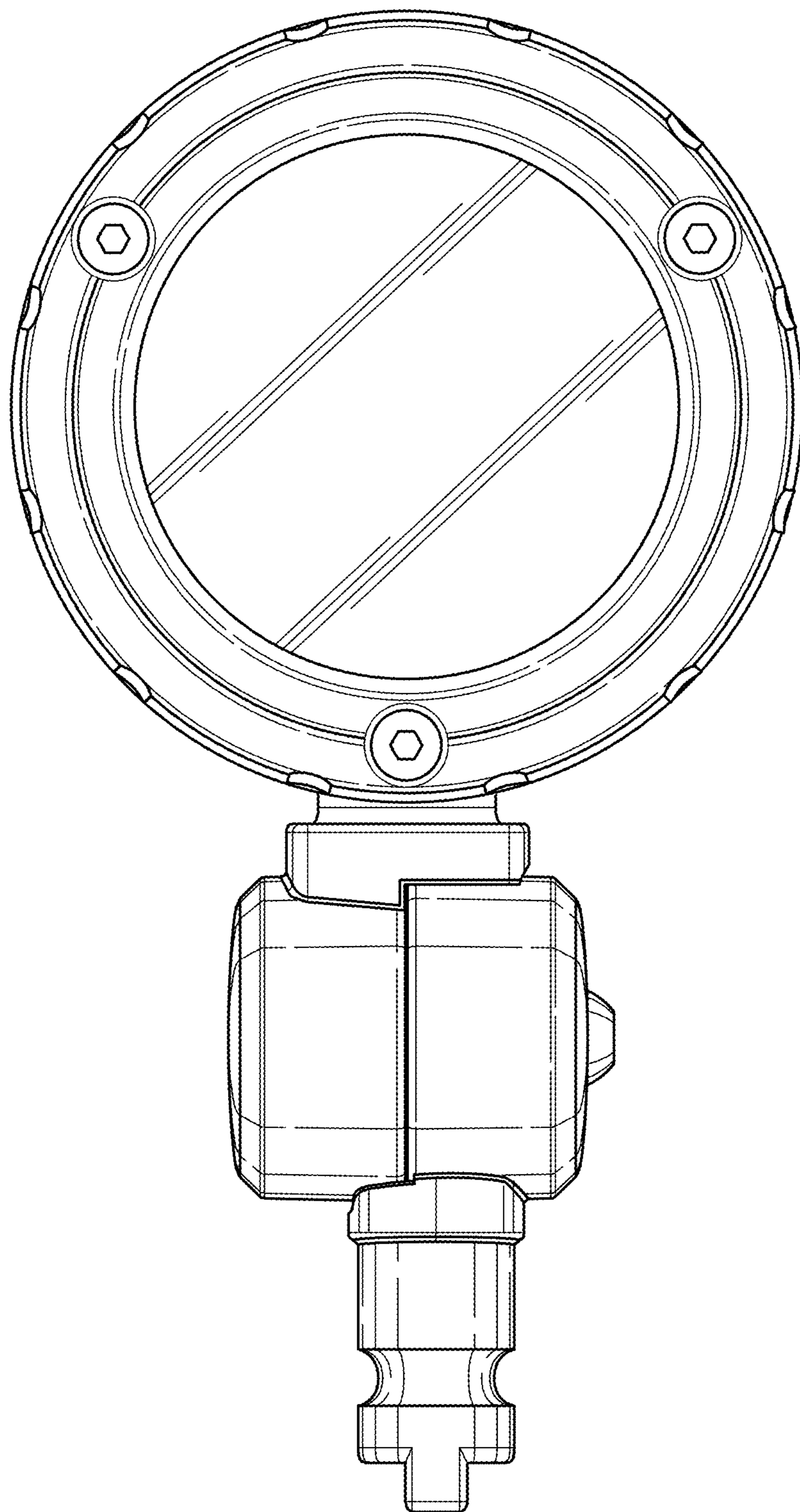


FIG. 1.6

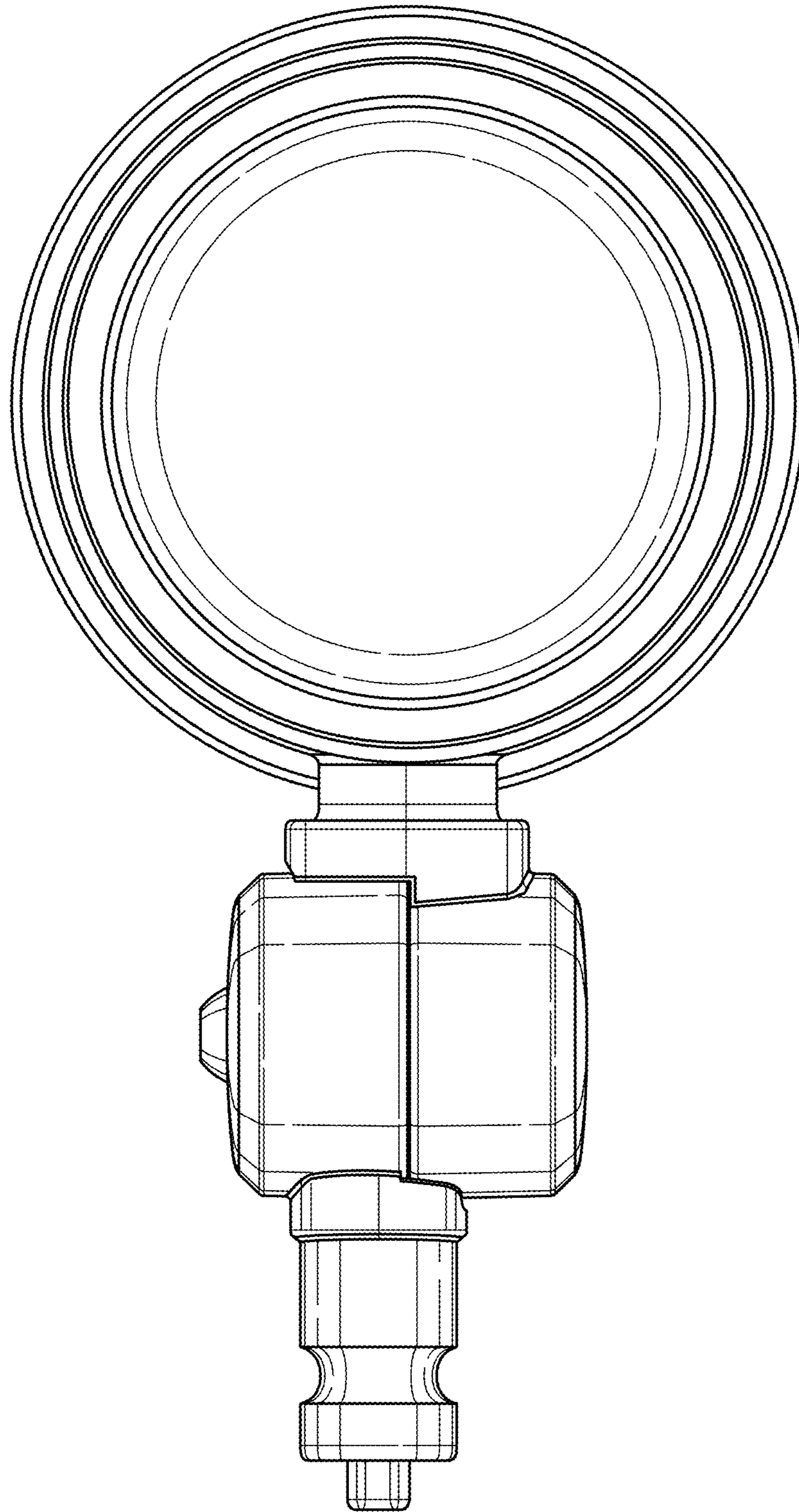


FIG. 1.7

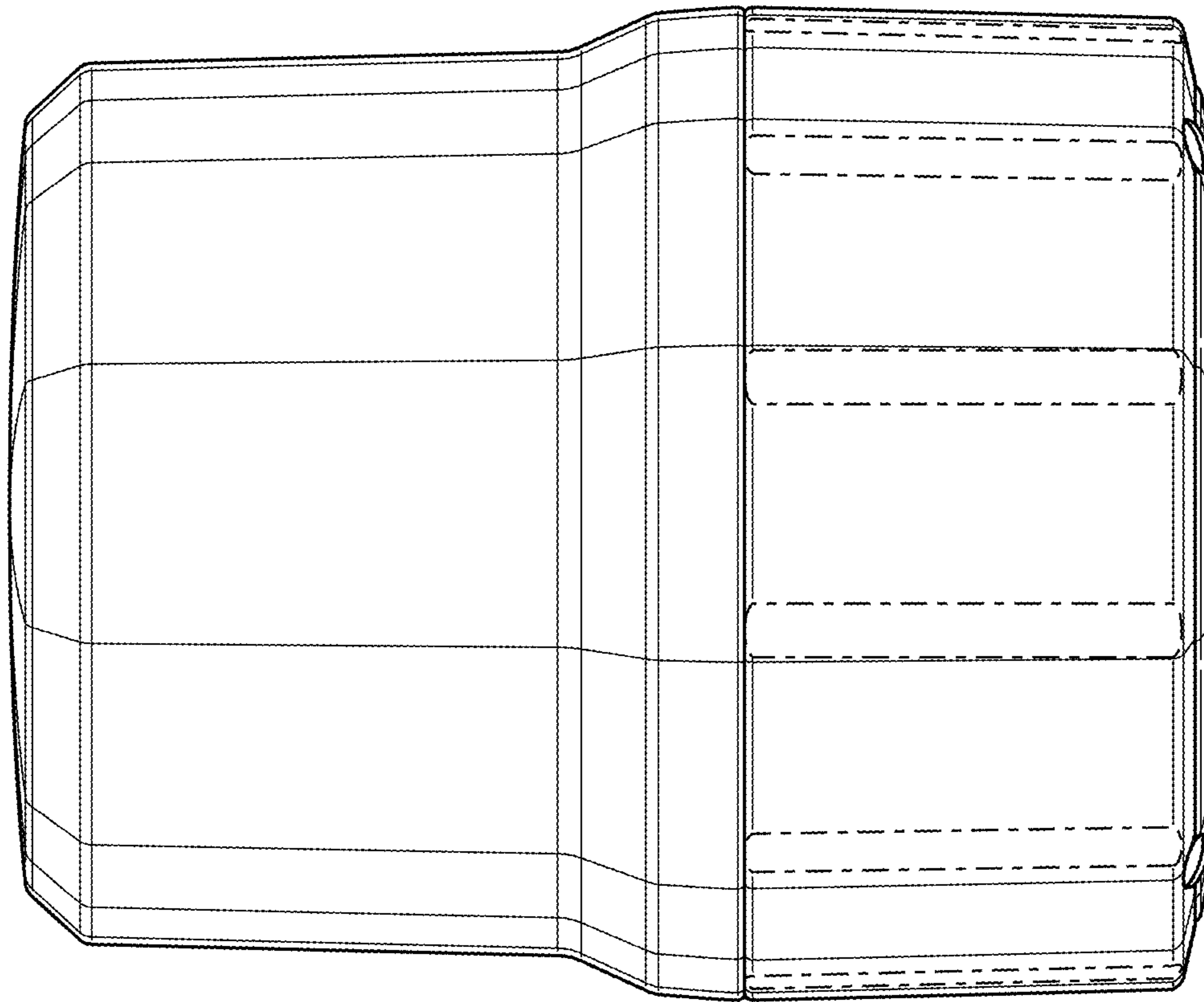


FIG. 1.8

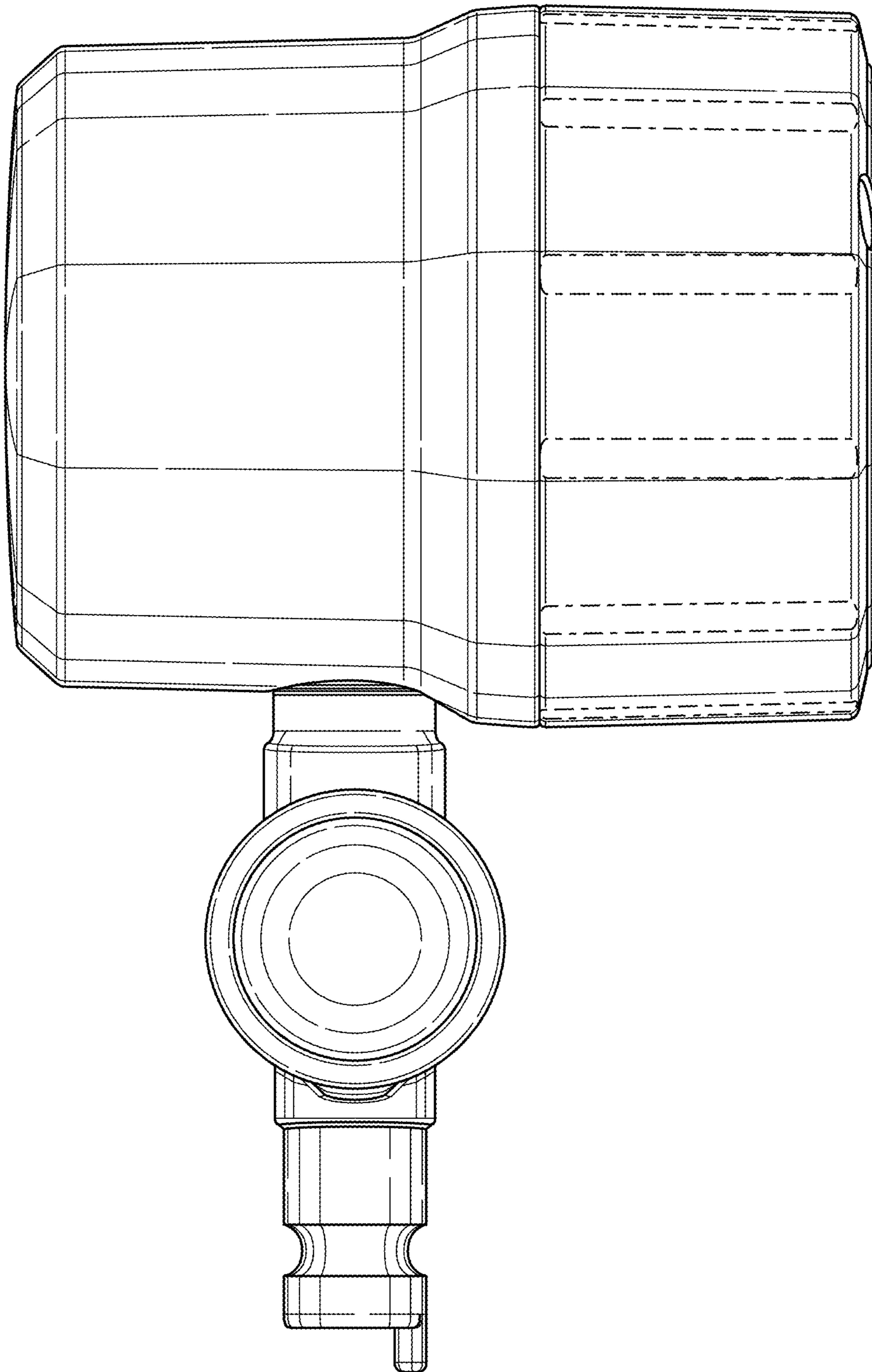


FIG. 1.9

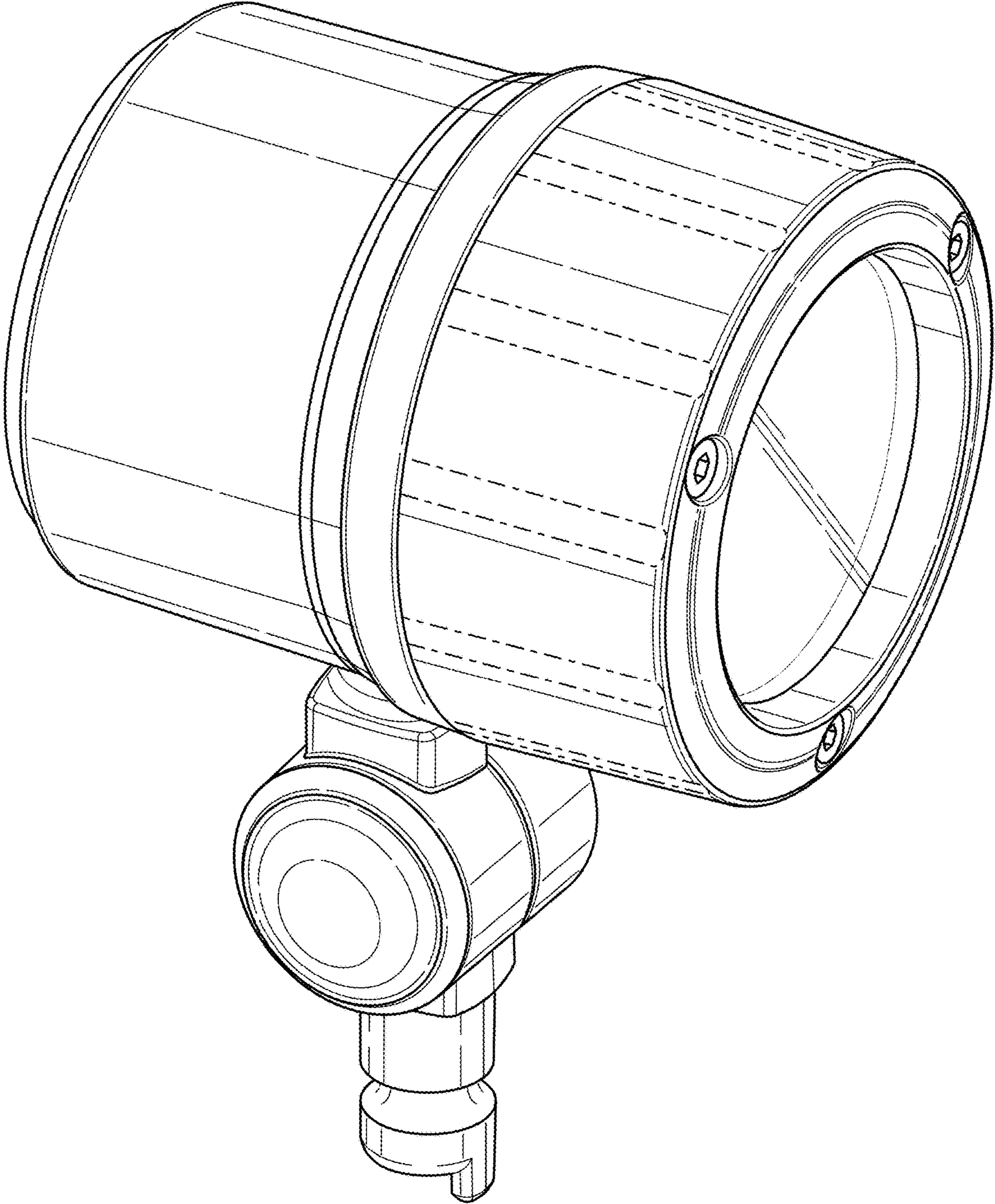


FIG. 1.10

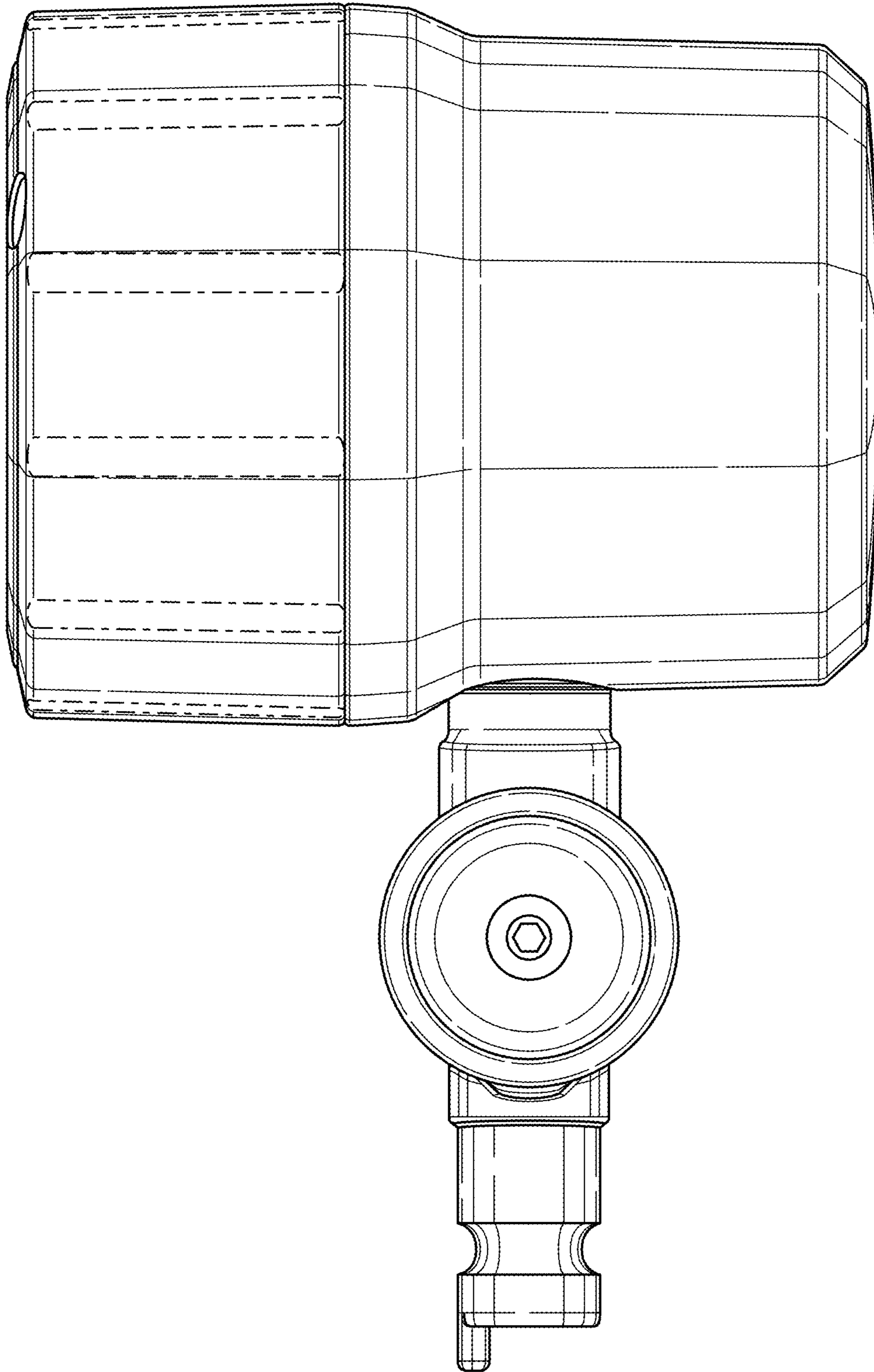


FIG. 1.11

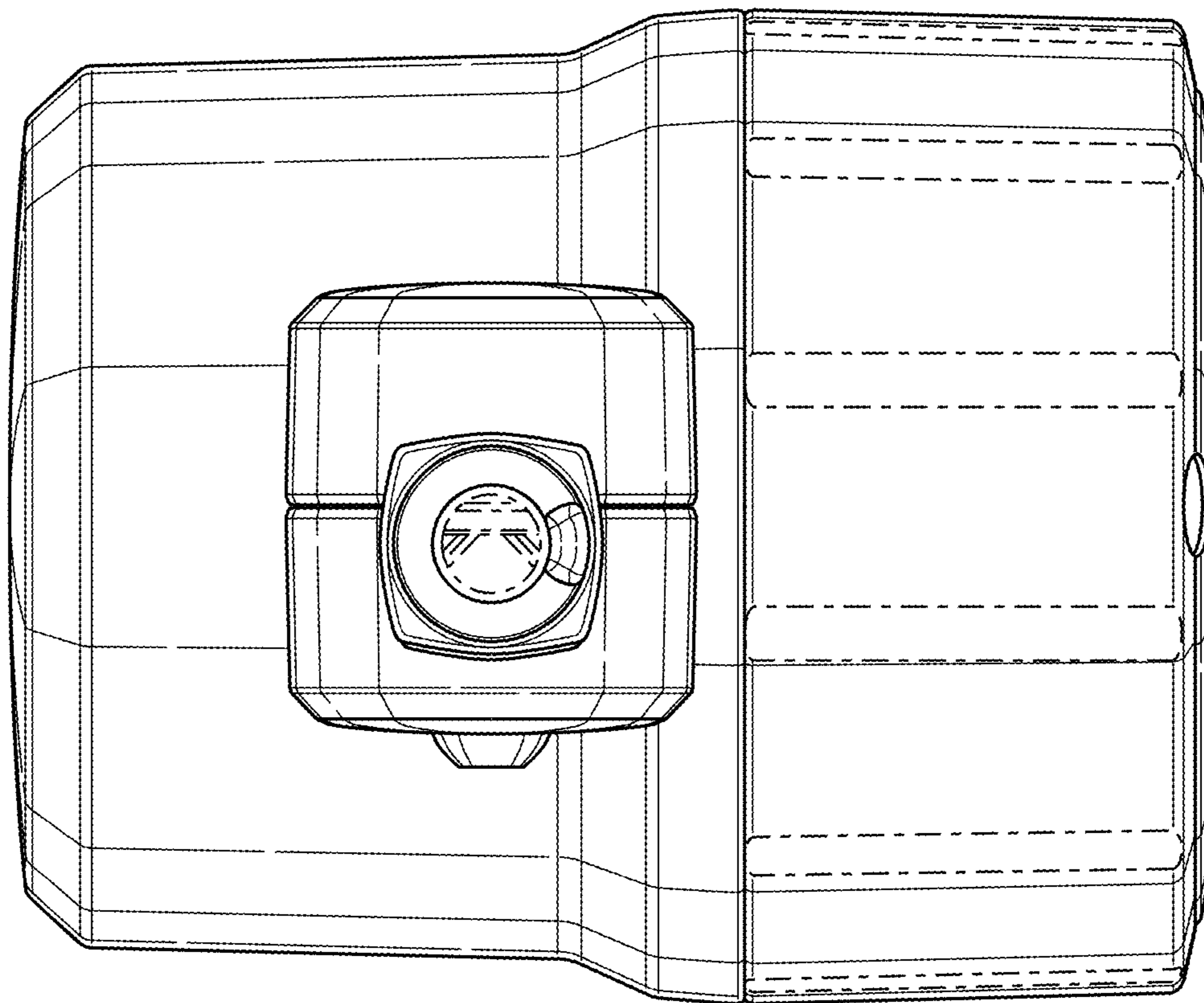


FIG. 1.12

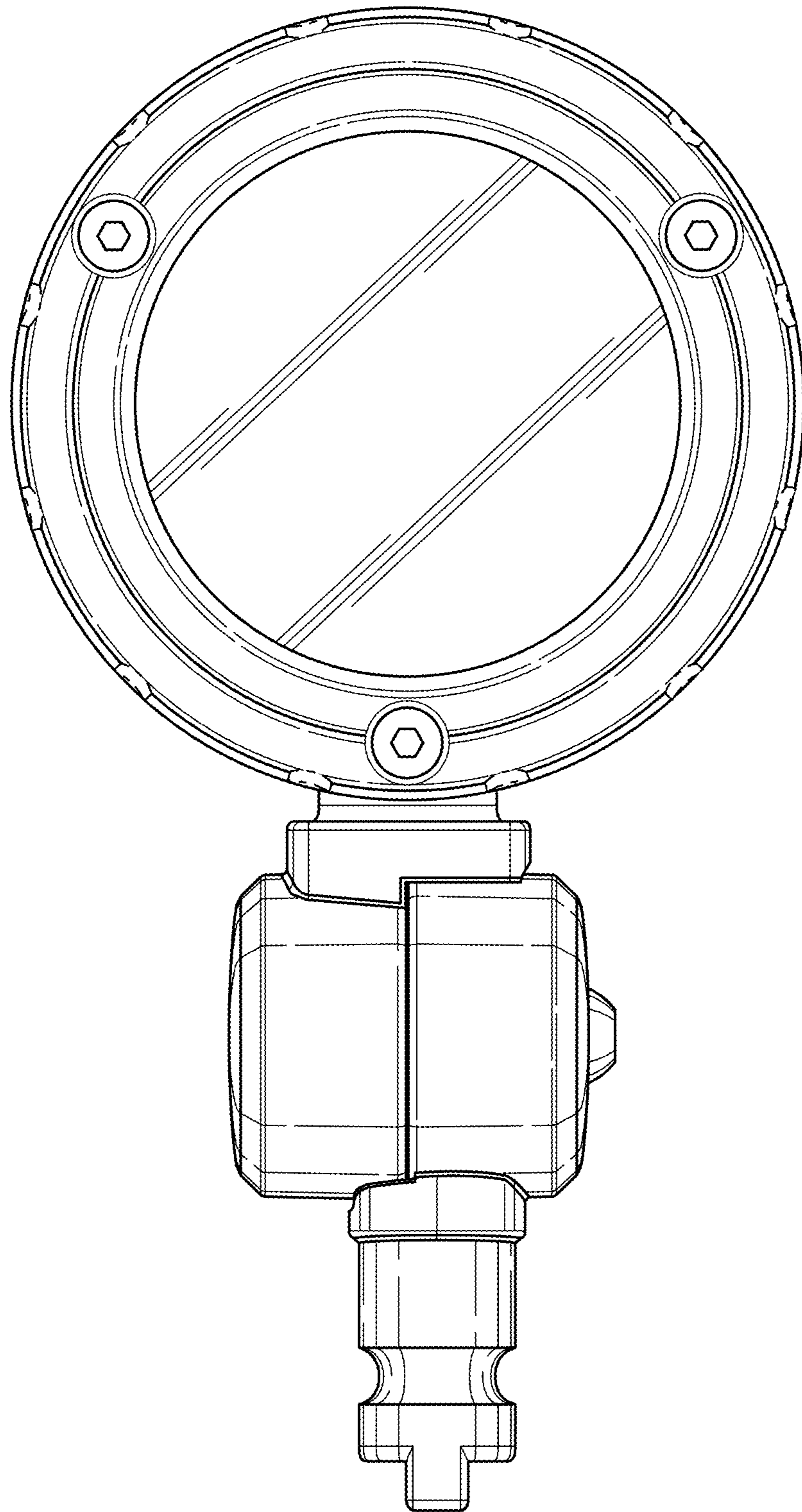


FIG. 1.13

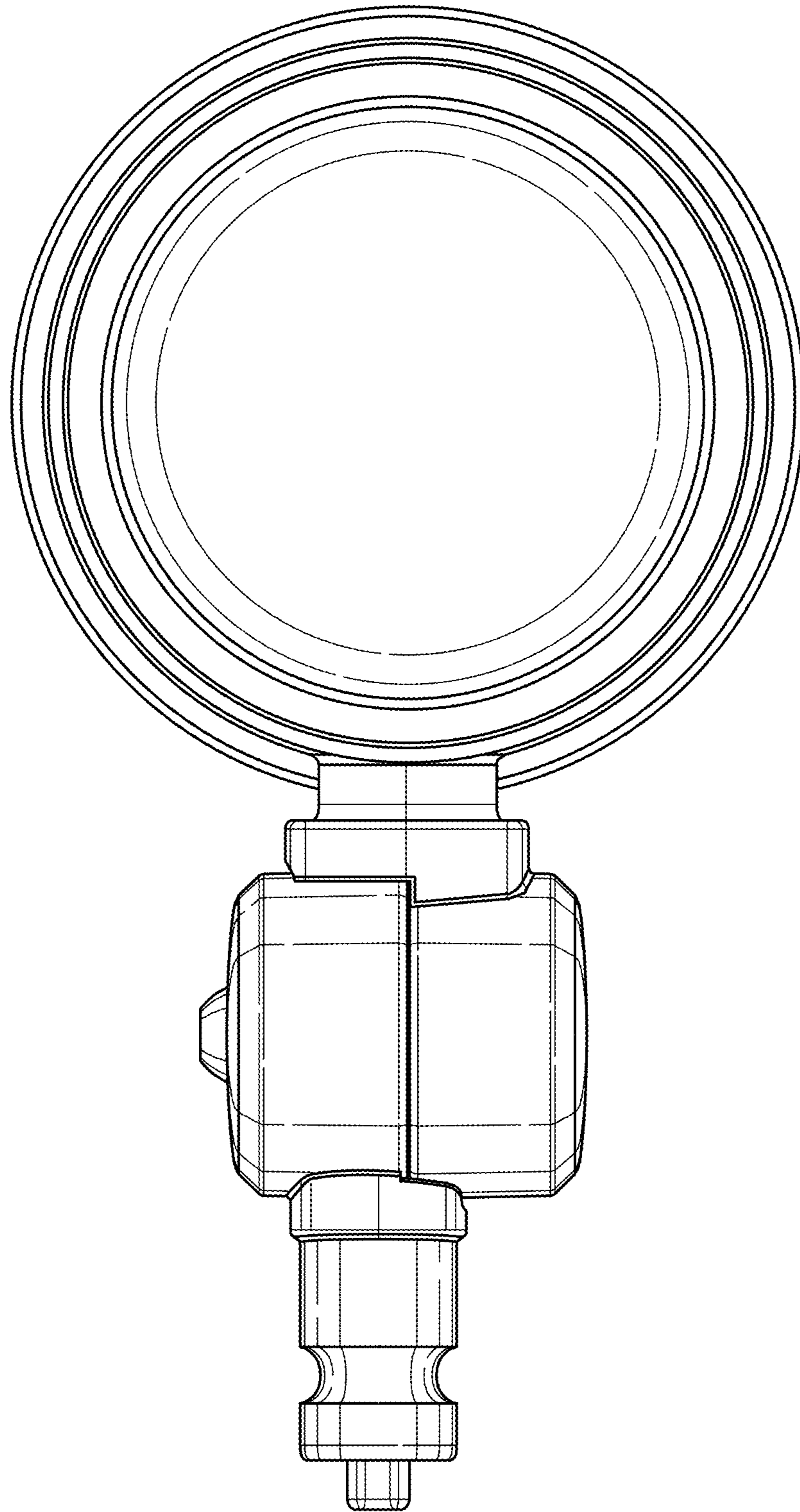


FIG. 1.14