



US00D826441S

(12) **United States Design Patent** (10) **Patent No.:** **US D826,441 S**
Fuller et al. (45) **Date of Patent:** **** Aug. 21, 2018**

(54) **UNDERWATER LIGHT EMITTING DIODE LAMP**
(75) Inventors: **Mark W. Fuller**, Toluca Lake, CA (US); **Tom Cuda**, Sun Valley, CA (US); **Donald Lariviere**, Sun Valley, CA (US); **Antonio Layon**, Sun Valley, CA (US); **Scott Winslow**, Sun Valley, CA (US); **Boris Karpichev**, Sun Valley, CA (US)

(73) Assignee: **WET**, Sun Valley, CA (US)

(**) Term: **14 Years**

(21) Appl. No.: **29/429,631**

(22) Filed: **Aug. 14, 2012**

(51) **LOC (11) Cl.** **26-05**

(52) **U.S. Cl.**
USPC **D26/52**

(58) **Field of Classification Search**
USPC ... D26/3, 37, 38, 44, 45, 46, 48, 49, 51, 52;
362/157, 158, 183, 184, 194-196,
362/200-208, 253, 267, 307, 362
CPC F21V 33/00; F21V 14/025; F21V 21/406;
F21Y 2101/02; F21L 17/00; F21L 13/08
See application file for complete search history.

(56) **References Cited**

U.S. PATENT DOCUMENTS

D311,780 S * 10/1990 Urquhart D26/46
D486,259 S * 2/2004 Crawford D26/46
D535,039 S * 1/2007 Sorokin D26/24
D560,829 S * 1/2008 Mason, II D26/28
D599,921 S * 9/2009 Rivardo D26/24
D603,991 S * 11/2009 Hiratsuka D26/51
D694,927 S * 12/2013 Toft D26/63
D694,944 S * 12/2013 Rhodes D26/80
D700,385 S * 2/2014 Quadri D26/63
D716,985 S * 11/2014 Jones D16/208
D726,355 S * 4/2015 Payne D26/37

D780,355 S * 2/2017 Lo D26/49
D783,873 S * 4/2017 Wallach D26/51
D785,843 S * 5/2017 Wen D26/49
2005/0007778 A1 * 1/2005 Lin F21V 21/32
362/249.07
2007/0058365 A1 * 3/2007 Anderson F21L 4/04
362/198

OTHER PUBLICATIONS

“LED Lights Submersible—Blue (12 Ct)”, www.target.com, (Jul. 2011), 2 pp. total.
Abyss Technology, “LED Underwater Boat Lights”, www.abyslite.com/underwater-lights.php, (2011), 3 pp. total.
Fountain People, Inc., “Products : LED”, fountainpeople.com/products/led, (2004), 2 pp. total.
Philips Color Kinetics, “C-Splash 2 Submersible LED spotlight with intelligent color light”, (2009), pp. 1-12.

* cited by examiner

Primary Examiner — Karen E Kearney

Assistant Examiner — Carissa C Fitts

(74) *Attorney, Agent, or Firm* — Maceiko IP

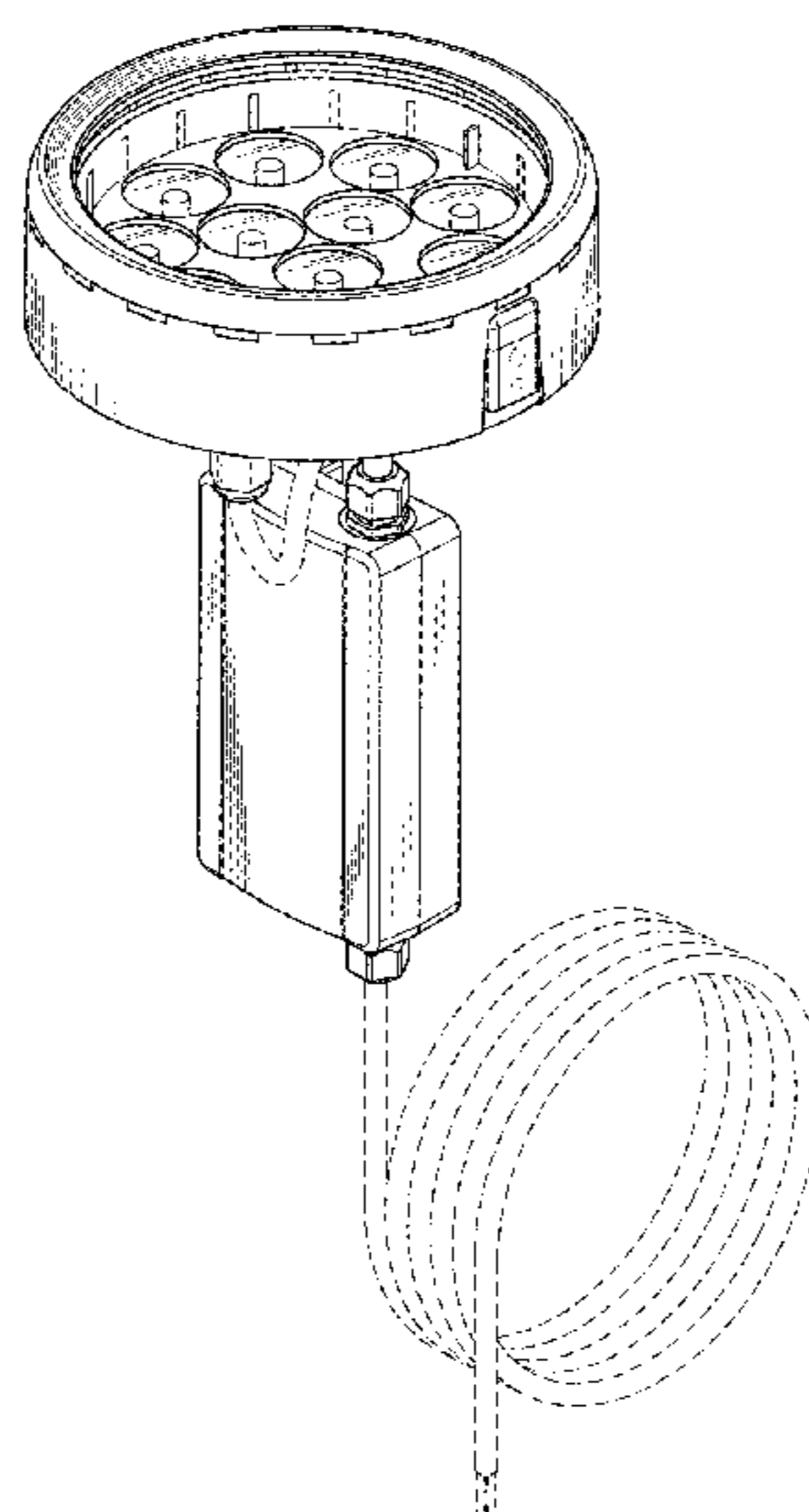
(57) **CLAIM**

We claim the ornamental design for an underwater light emitting diode lamp, as shown and described.

DESCRIPTION

FIG. 1 is a front perspective view of the underwater light emitting diode lamp;
FIG. 2 is a front view thereof;
FIG. 3 is a back view thereof;
FIG. 4 is a first side view thereof;
FIG. 5 is a second side view thereof;
FIG. 6 is a top view thereof; and,
FIG. 7 is a bottom view thereof.
The broken lines shown represent unclaimed portions of the article and form no part of the claimed design.

1 Claim, 4 Drawing Sheets



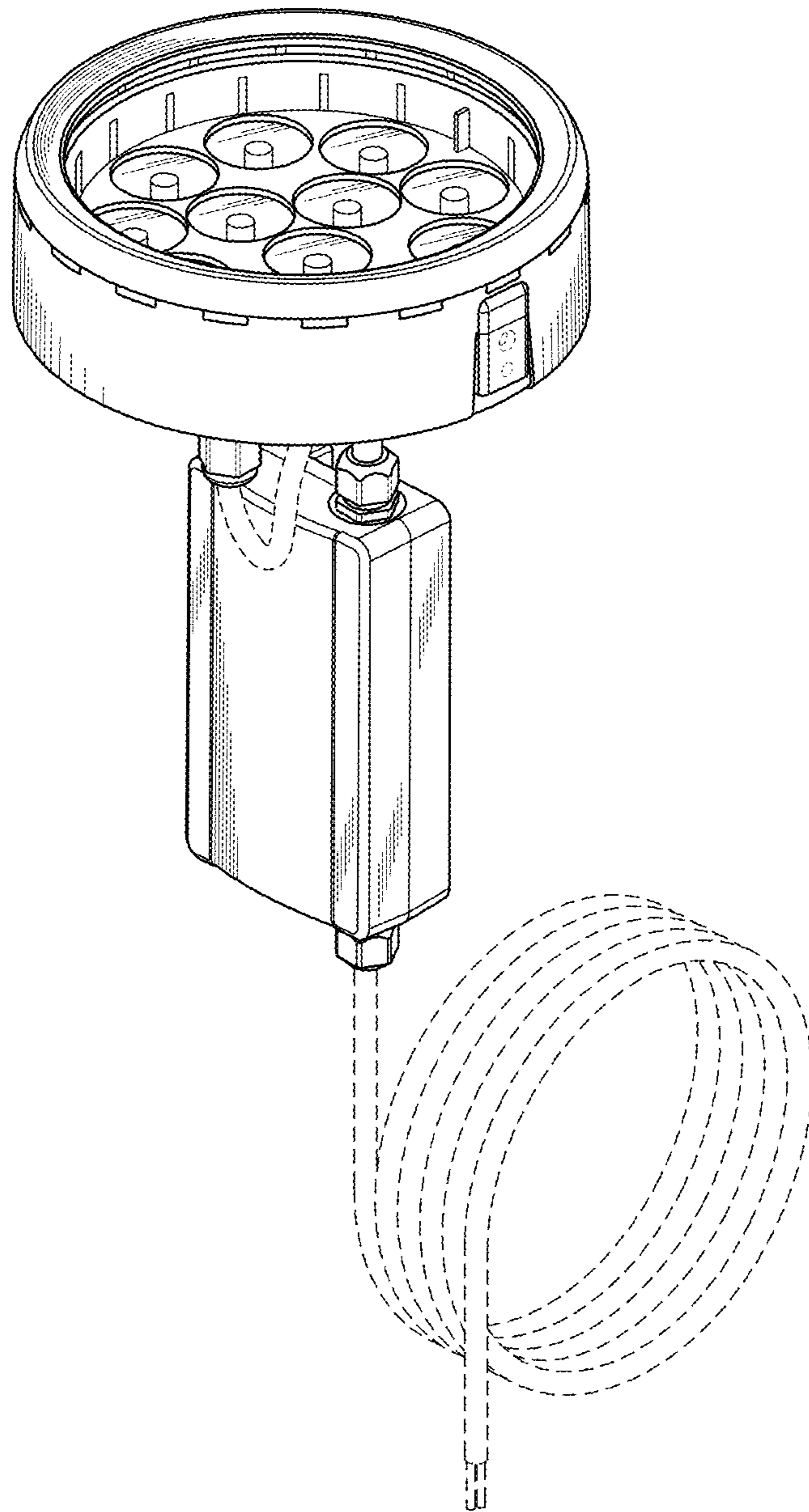


FIG. 1

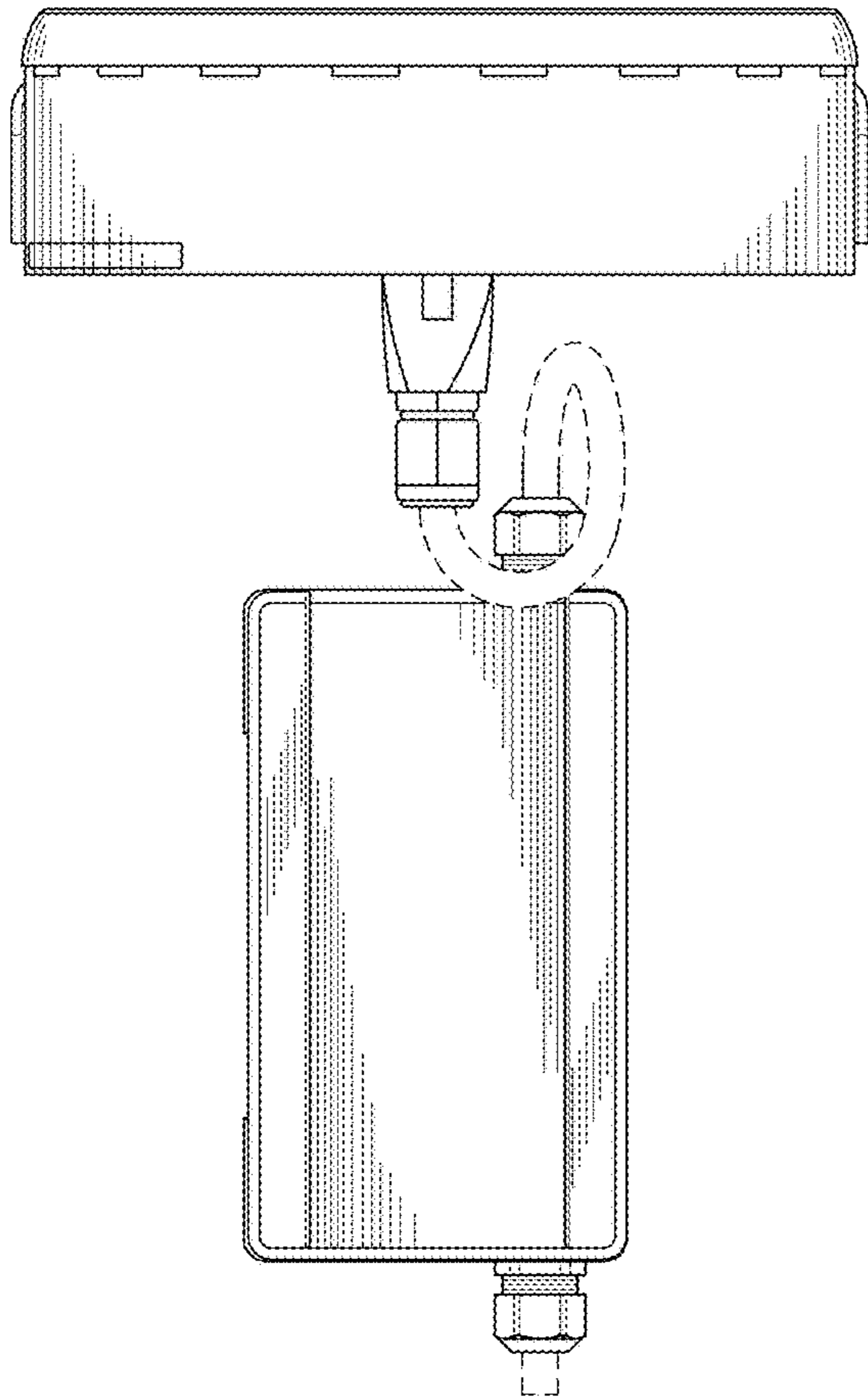


FIG. 2

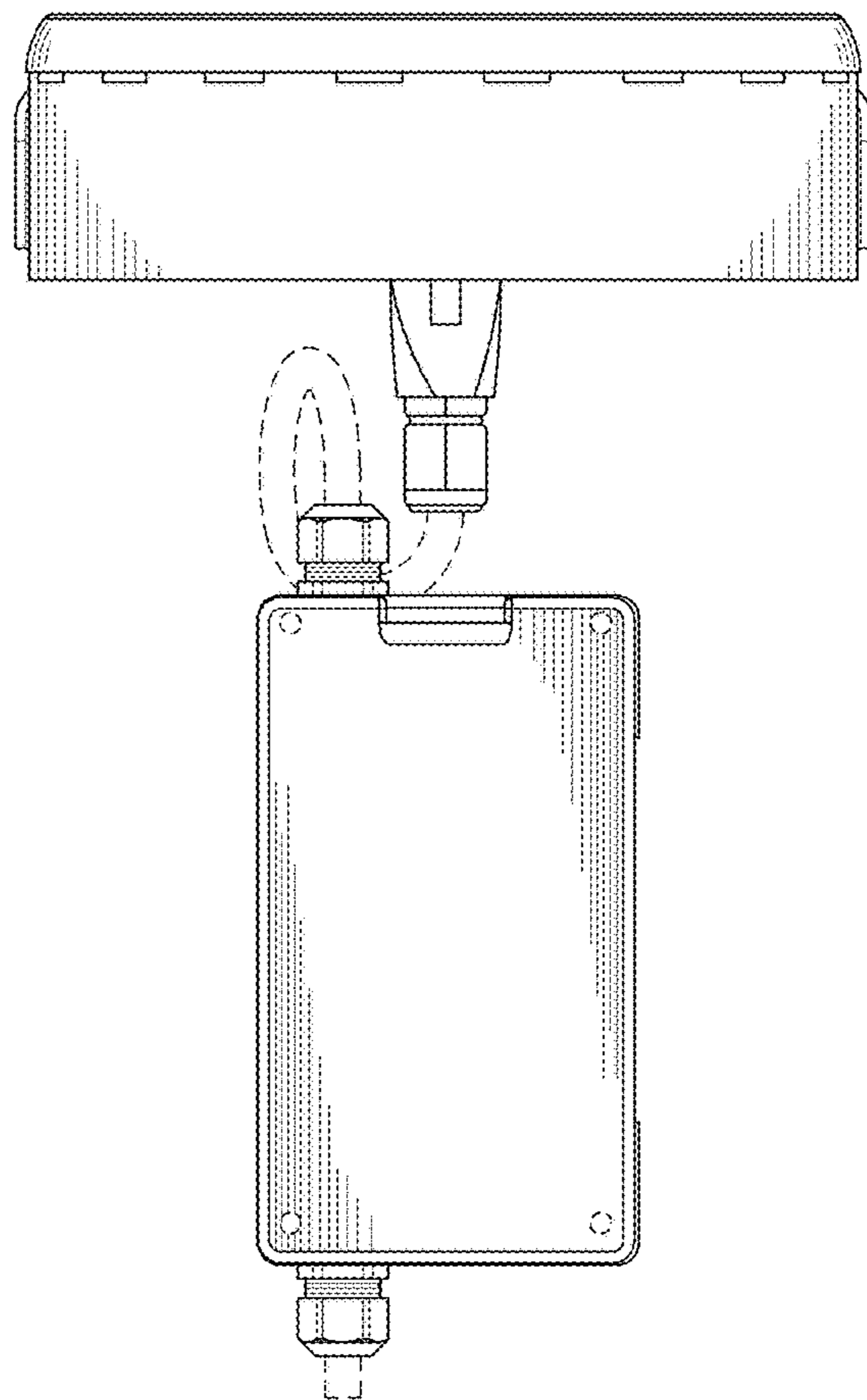


FIG. 3

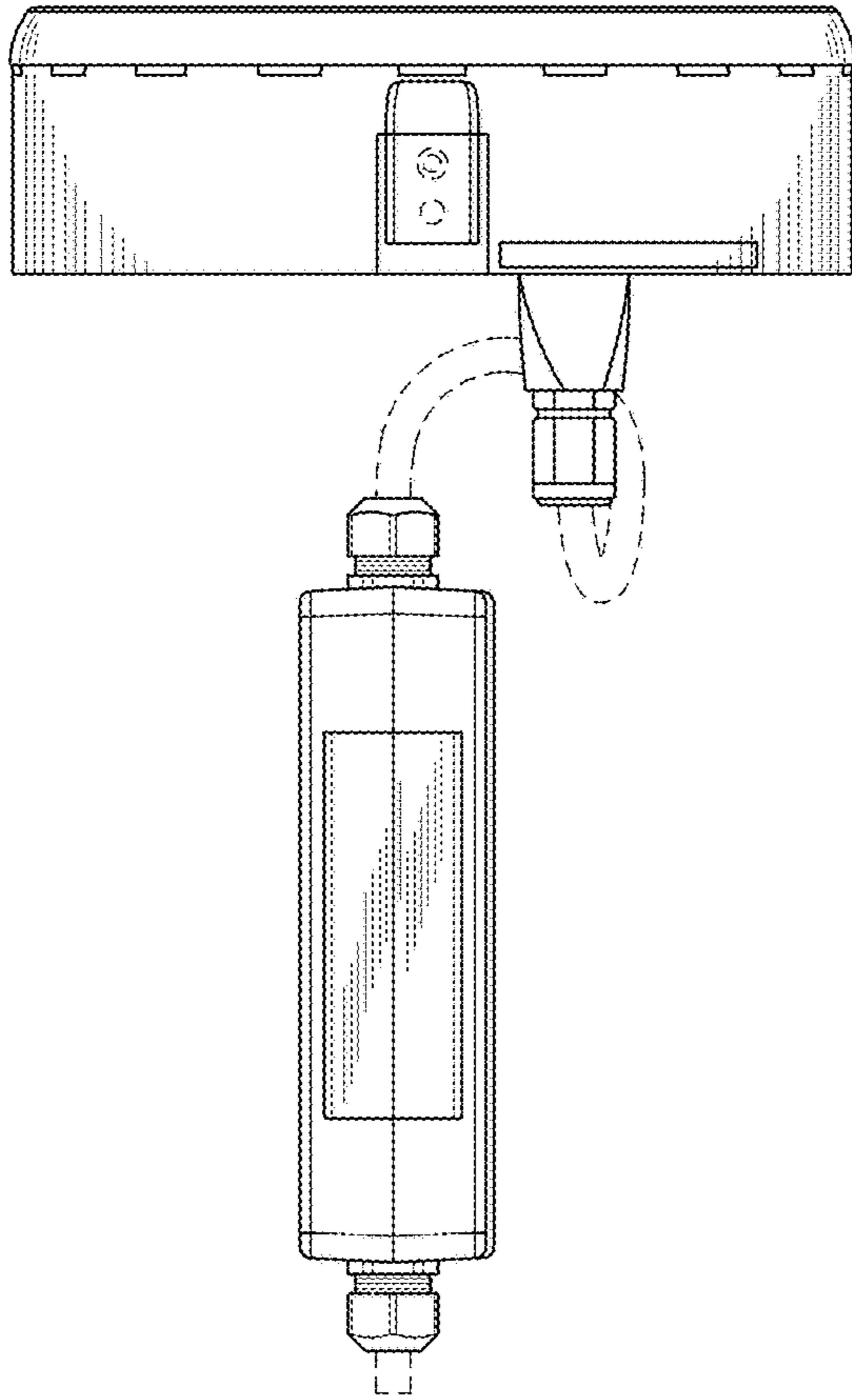


FIG. 4

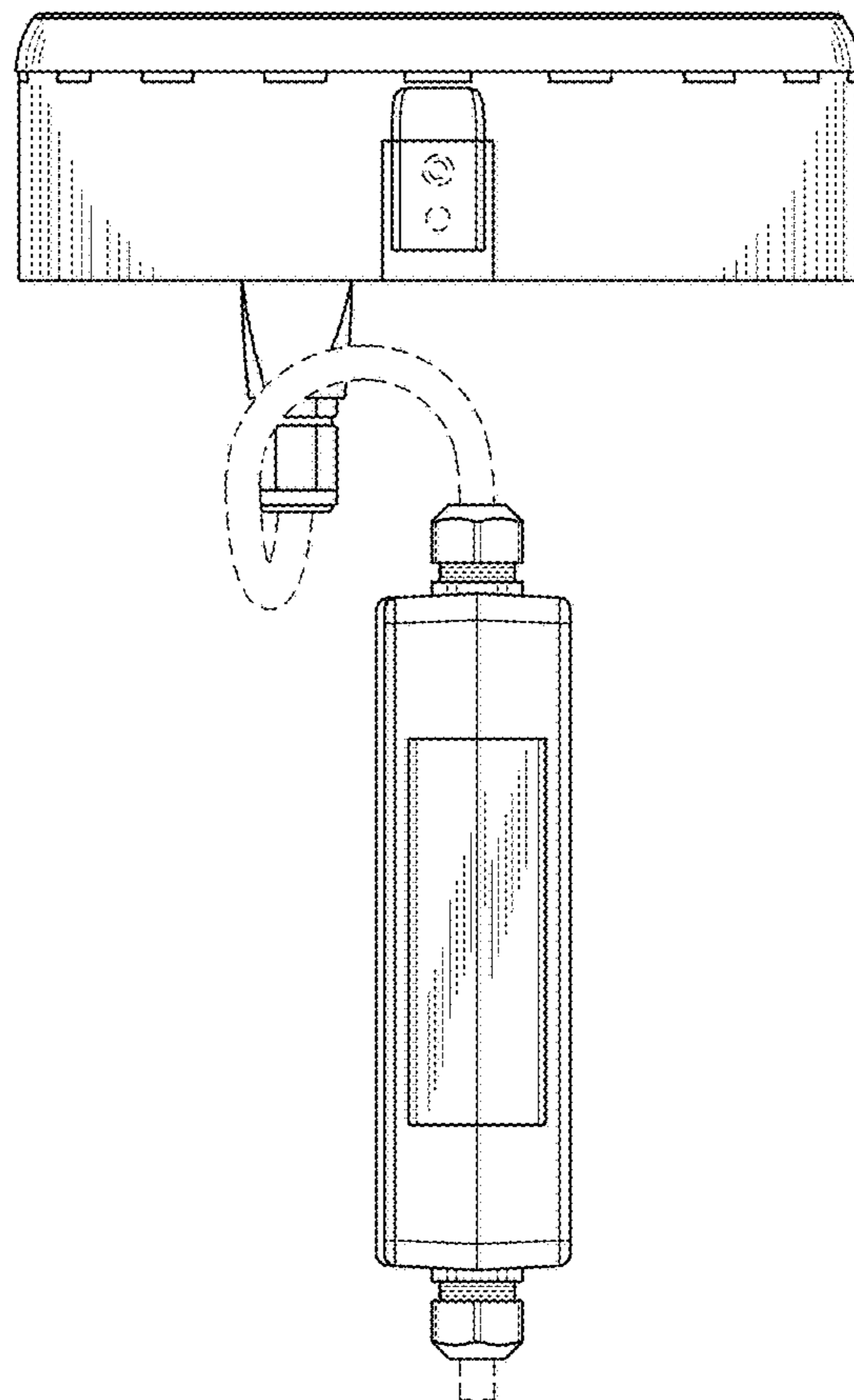


FIG. 5

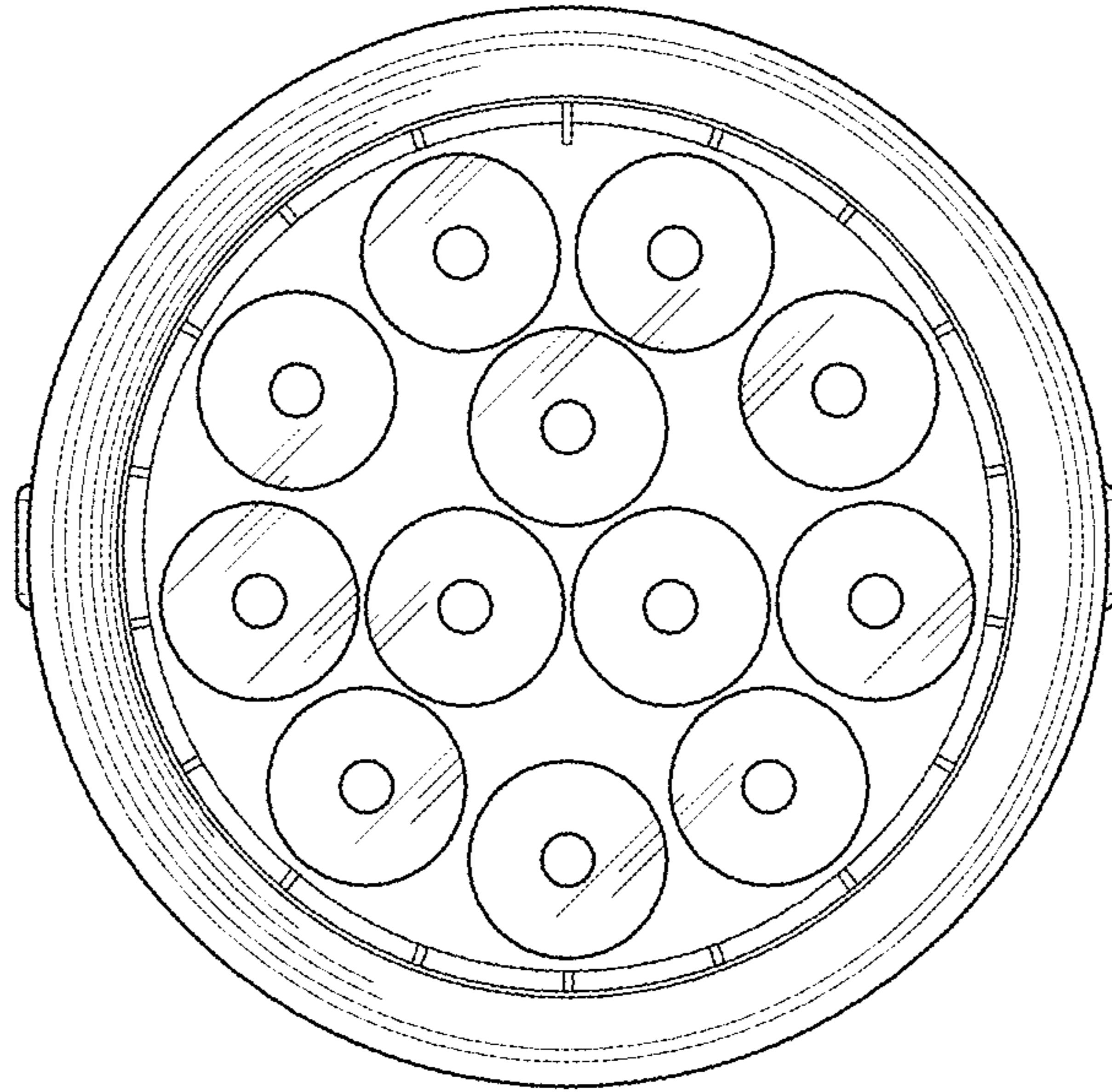


FIG. 6

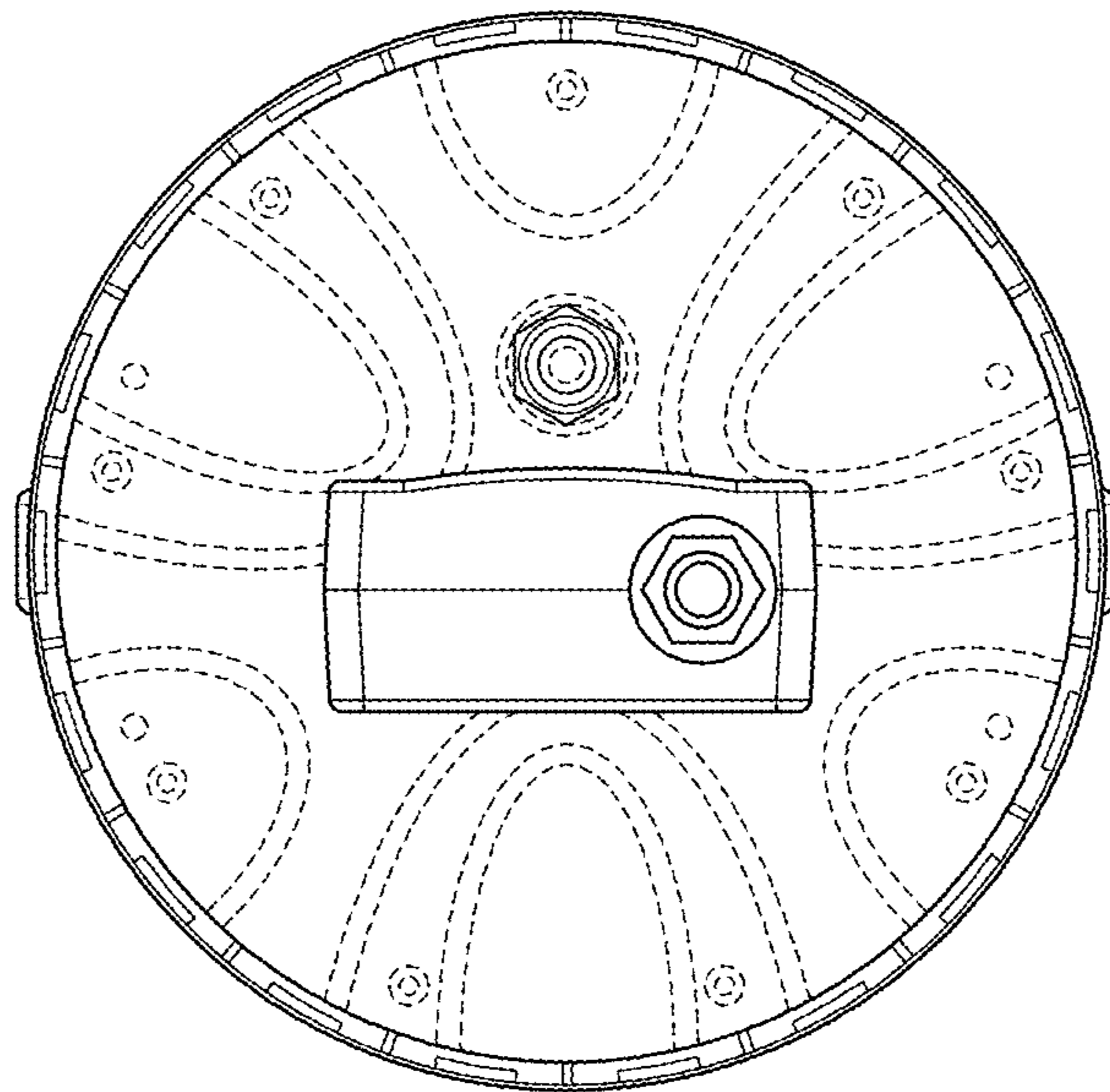


FIG. 7