



US00D826439S

(12) **United States Design Patent** (10) **Patent No.:** **US D826,439 S**
Ma (45) **Date of Patent:** **** Aug. 21, 2018**

- (54) **HANDHELD LIGHT**
- (71) Applicant: **Energizer Brands, LLC**, St. Louis, MO (US)
- (72) Inventor: **Eliza Ma**, Hong Kong (CN)
- (73) Assignee: **Energizer Brands, LLC**, St. Louis, MO (US)
- (**) Term: **15 Years**
- (21) Appl. No.: **29/598,825**
- (22) Filed: **Mar. 29, 2017**
- (51) **LOC (11) Cl.** **26-02**
- (52) **U.S. Cl.**
USPC **D26/49**
- (58) **Field of Classification Search**
USPC D26/37-51
CPC F21L 2003/00; F21L 4/00; F21L 4/005;
F21L 4/02; F21L 4/025; F21L 4/027;
F21L 4/04; F21L 4/08; F21L 2005/00;
F21L 7/00; F21L 11/00; F21L 13/00;
F21L 13/04; F21L 13/08; F21L 14/02;
F21L 17/00; F21L 19/00
See application file for complete search history.

- (56) **References Cited**
U.S. PATENT DOCUMENTS
D447,259 S 8/2001 Lynch et al.
D448,878 S 10/2001 Dalton et al.
D449,395 S 10/2001 Dalton et al.
D480,824 S 10/2003 Englert et al.
D480,825 S 10/2003 Englert et al.
D480,826 S 10/2003 Englert et al.
D492,807 S 7/2004 Dalton et al.
D494,299 S 8/2004 Dalton et al.
D496,116 S 9/2004 Abernethy et al.
D496,482 S 9/2004 Osiecki et al.

- D501,056 S 1/2005 Dalton et al.
- D502,278 S 2/2005 Dalton et al.
- D504,740 S 5/2005 Dalton et al.
- D531,337 S 10/2006 Dalton et al.
- D531,747 S 11/2006 Brown
- D544,118 S 6/2007 Osiecki et al.
- D552,776 S 10/2007 Osiecki et al.
- D606,221 S * 12/2009 Kung D26/49
- D608,482 S * 1/2010 Brown D26/49
- D617,024 S * 6/2010 Brown D26/49
- D638,157 S * 5/2011 Lee D26/49
- D644,365 S * 8/2011 Yuen D26/49
- D670,015 S * 10/2012 Wu D26/49
- D716,482 S * 10/2014 Ma D26/49
- D716,983 S * 11/2014 Ma D26/49
- D734,885 S * 7/2015 Brown D26/49
- D744,136 S * 11/2015 Osiecki D26/49
- D746,500 S 12/2015 Brown et al.
- D767,187 S * 9/2016 Hine D26/49

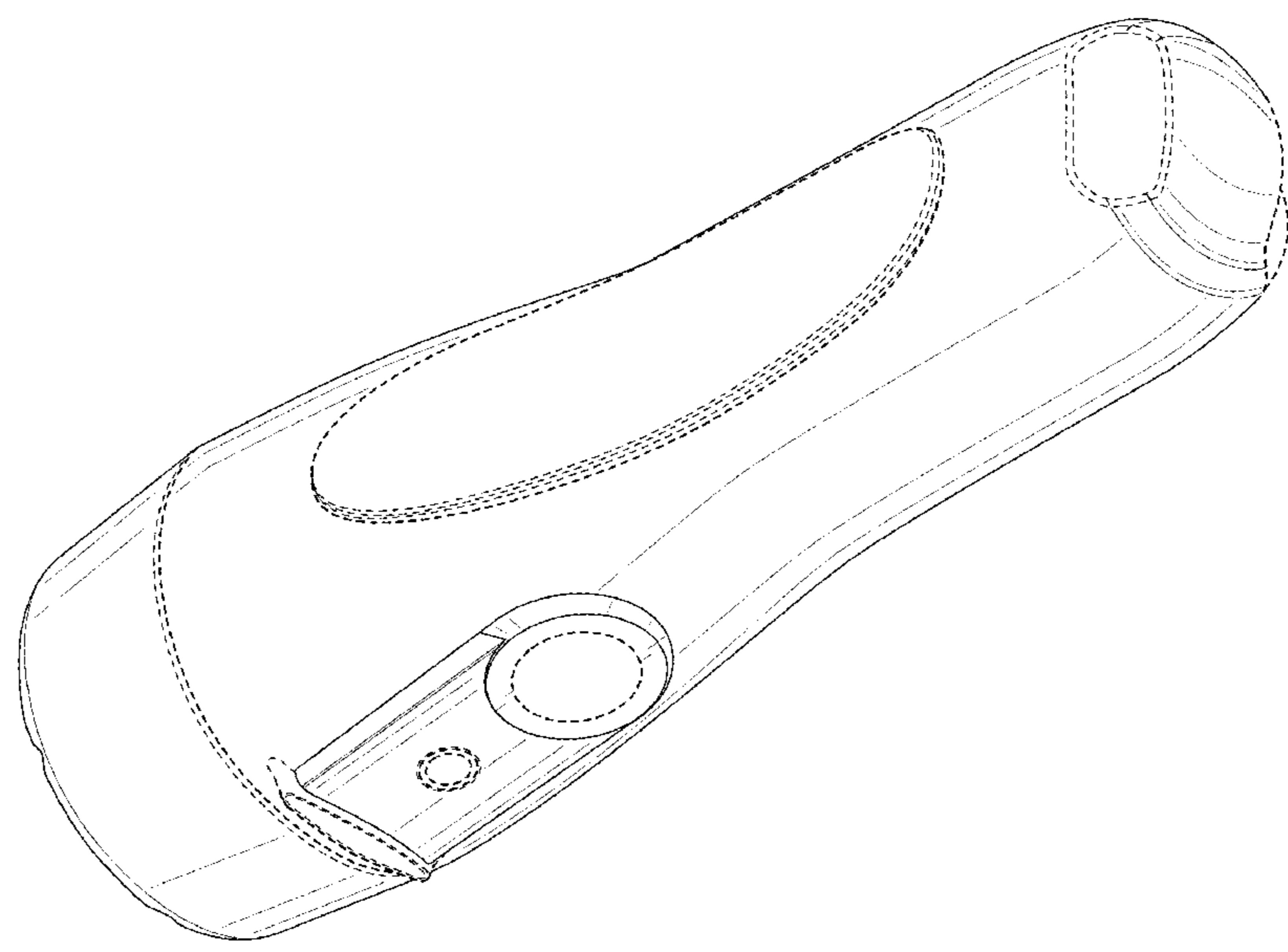
(Continued)

Primary Examiner — Susan Bennett Hattan
Assistant Examiner — Carissa C Fitts
(74) *Attorney, Agent, or Firm* — Alston & Bird LLP

(57) **CLAIM**
The ornamental design for a handheld light, as shown and described.

DESCRIPTION
FIG. 1 is a perspective view of a handheld light according to one exemplary embodiment of the present design. FIG. 2 is a front view the handheld light of FIG. 1. FIG. 3 is a back view of the handheld light of FIG. 1. FIG. 4 is a left side view of the handheld light of FIG. 1. FIG. 5 is a right side view of the handheld light of FIG. 1. FIG. 6 is a top view of the handheld light of FIG. 1; and, FIG. 7 is a bottom view of the handheld light of FIG. 1. The broken lines depict unclaimed portions of the handheld light and form no part of the claimed design.

1 Claim, 6 Drawing Sheets



(56)

References Cited

U.S. PATENT DOCUMENTS

D777,962 S *	1/2017	Scott	D26/38
D780,355 S *	2/2017	Lo	D26/49
D785,841 S *	5/2017	Brown	D26/49
D792,625 S *	7/2017	Koshiba	D26/49
D794,238 S *	8/2017	Kung	D26/49

* cited by examiner

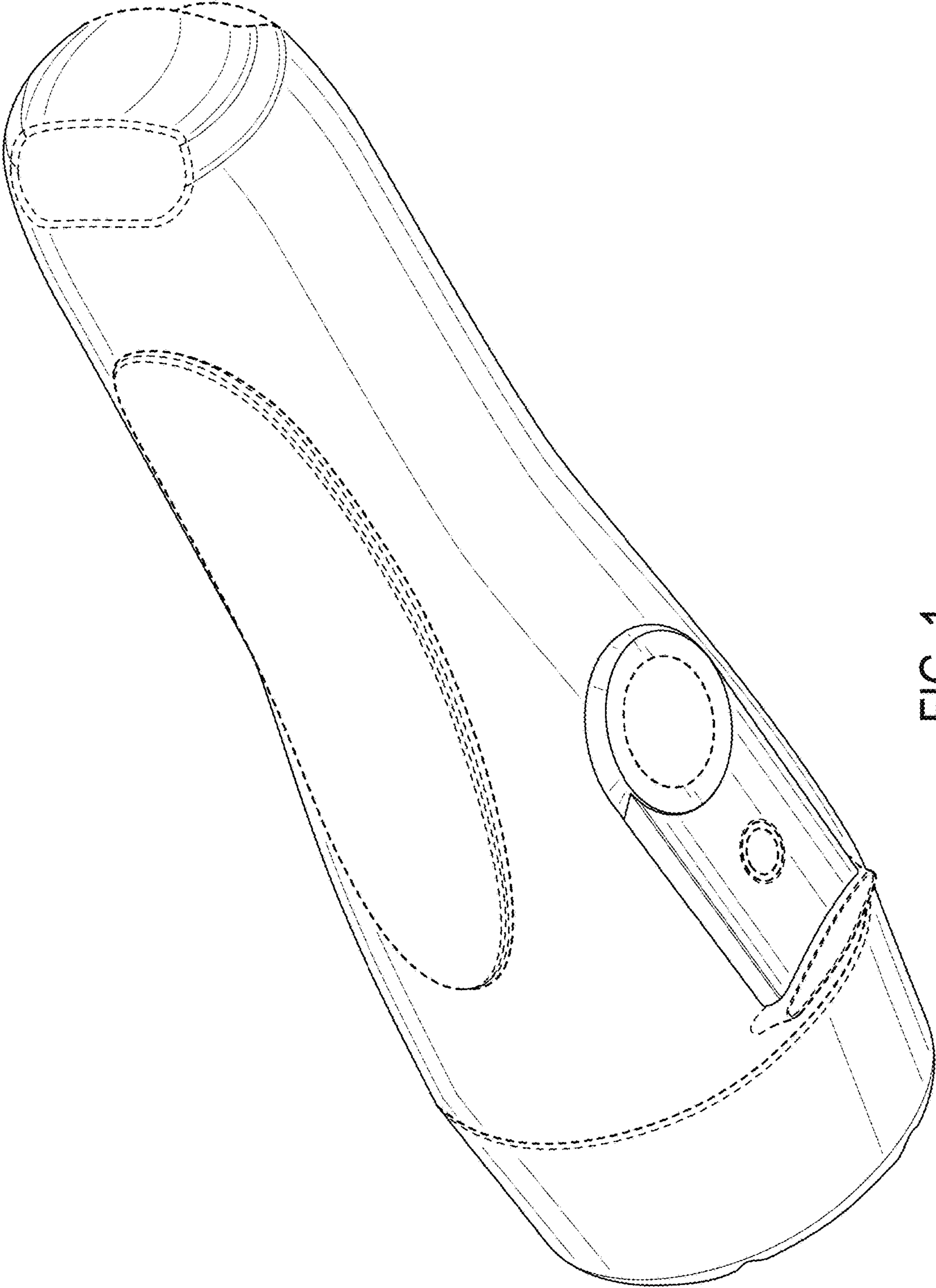


FIG. 1

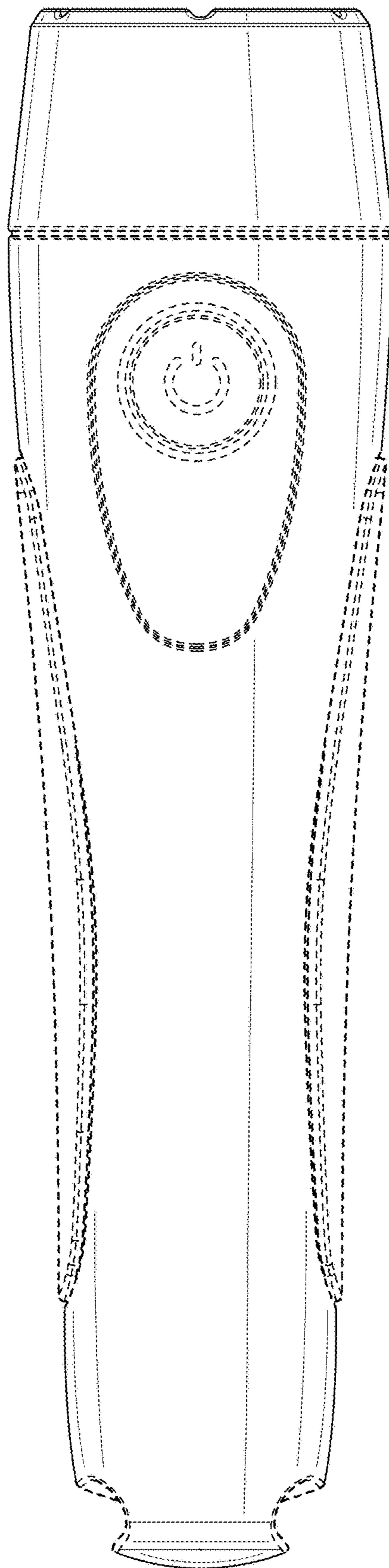


FIG. 2

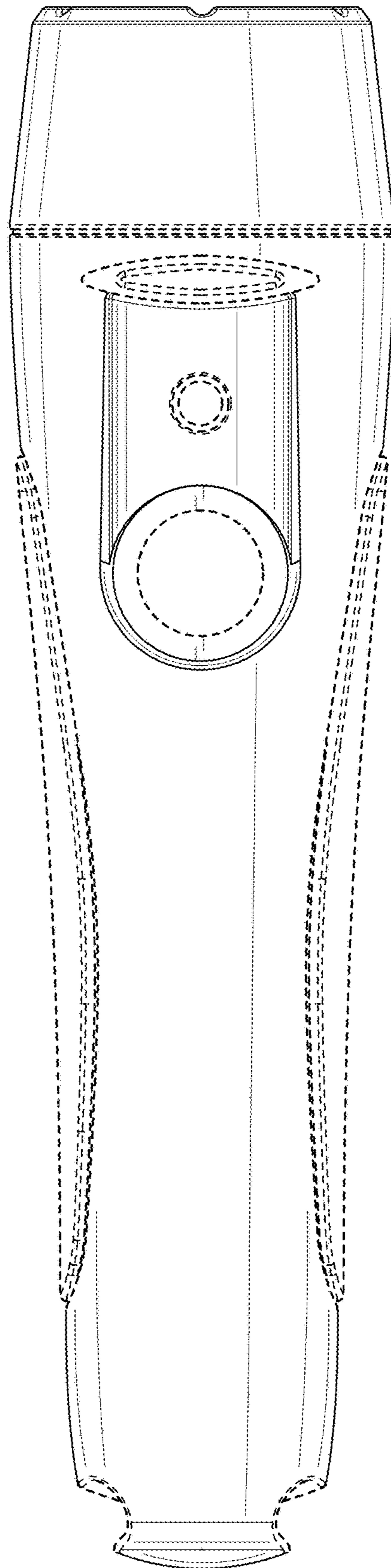


FIG. 3

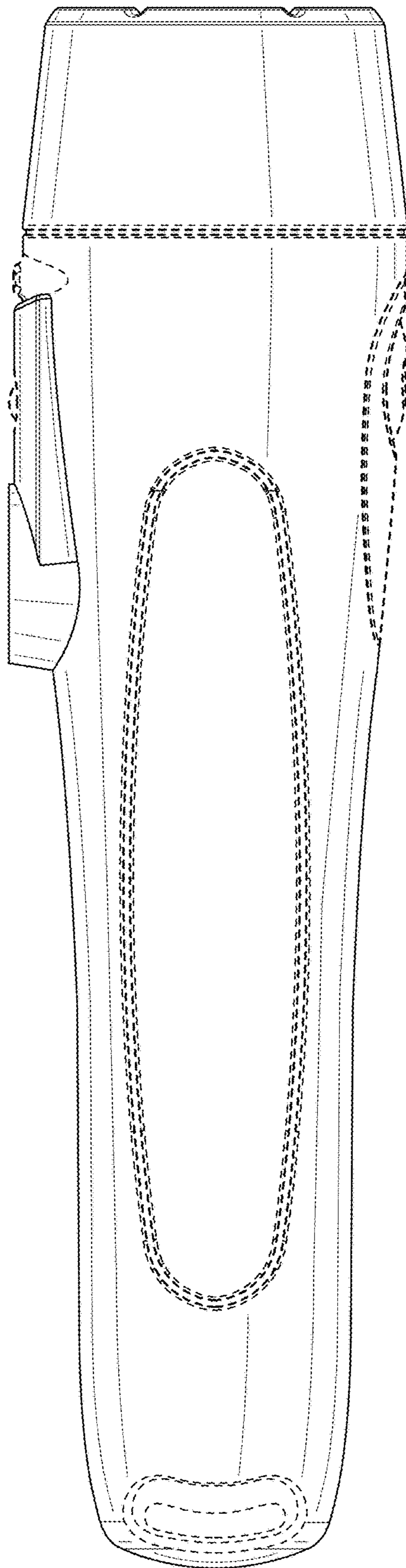


FIG. 4

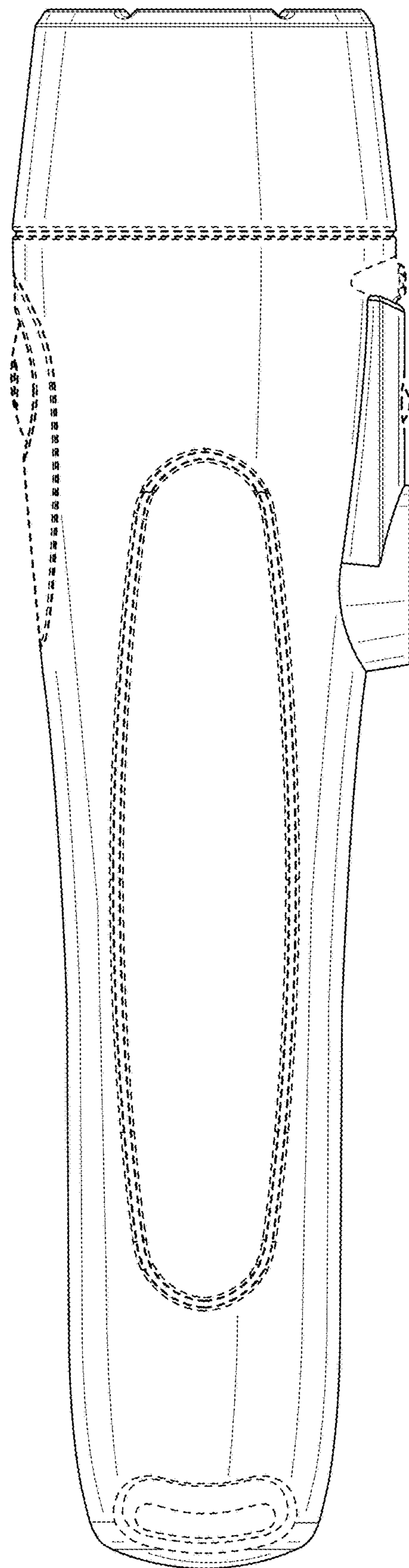


FIG. 5

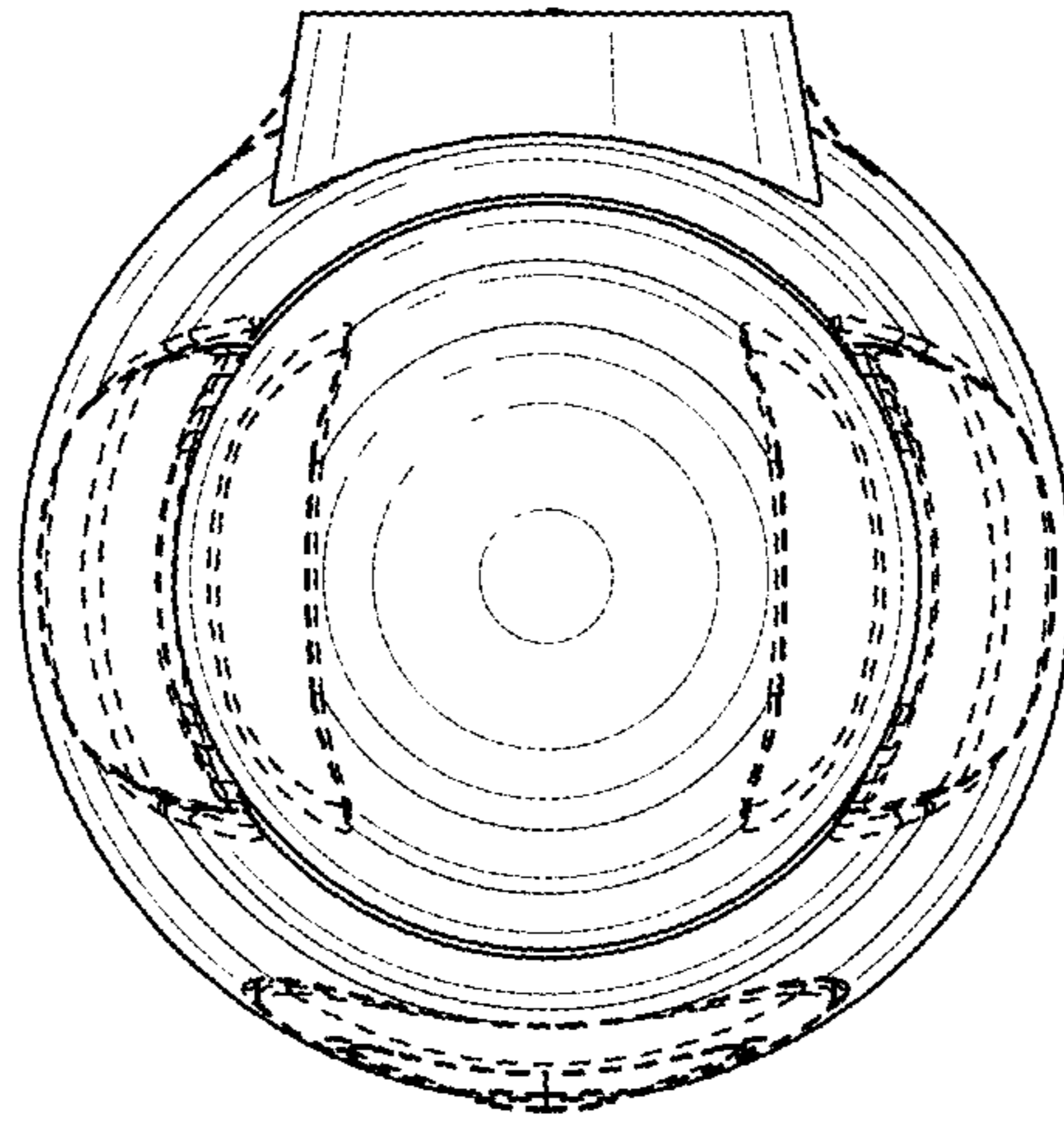


FIG. 6

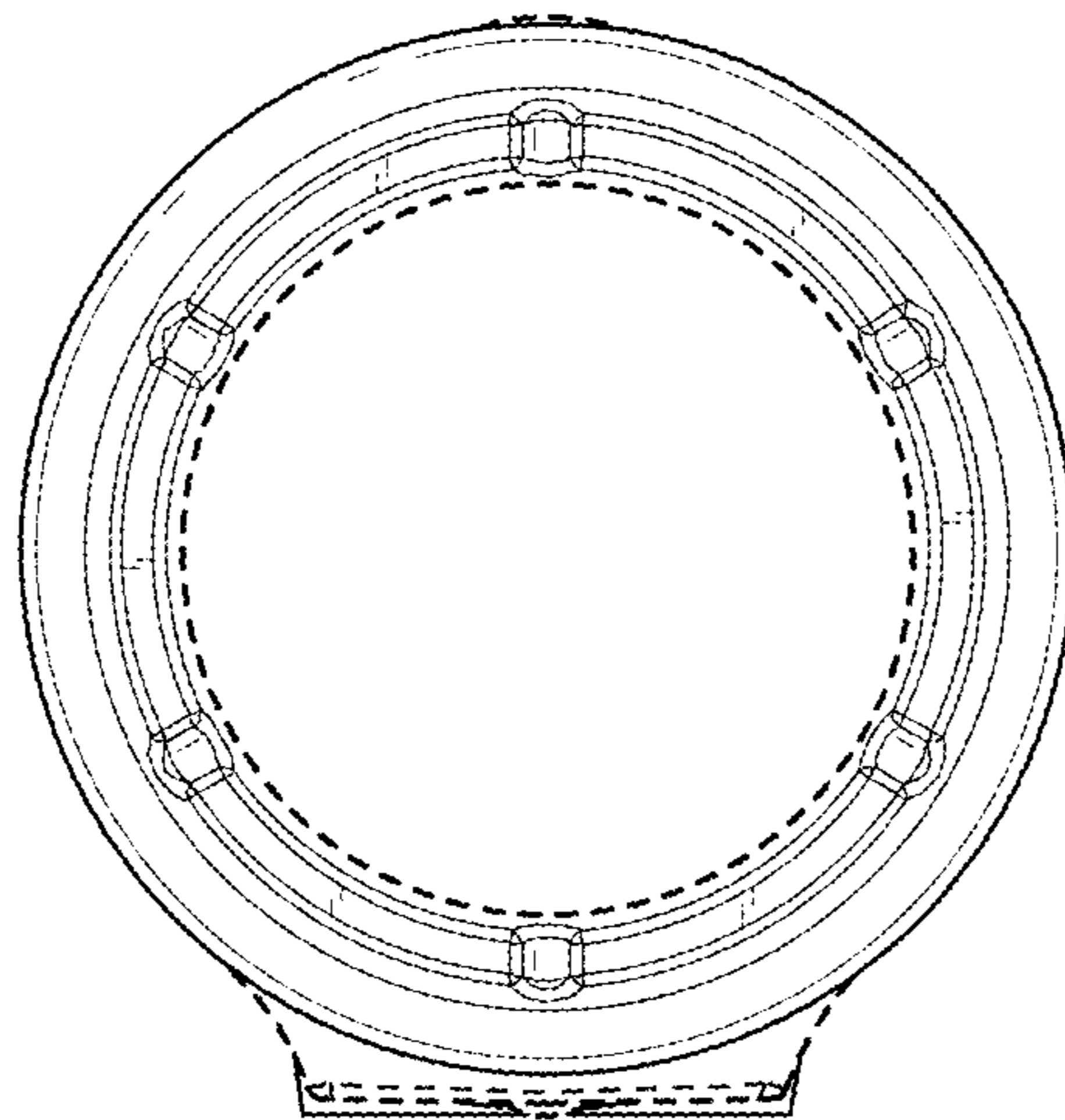


FIG. 7