



US00D826434S

(12) **United States Design Patent**  
**Soofer**

(10) **Patent No.:** **US D826,434 S**

(45) **Date of Patent:** **\*\* Aug. 21, 2018**

(54) **PORTION OF A LIGHT BULB**

(71) Applicant: **Alpine Corporation**, Los Angeles, CA  
(US)

(72) Inventor: **Sohrab Robby Soofer**, Beverly Hills,  
CA (US)

(\*\*) Term: **15 Years**

(21) Appl. No.: **29/605,069**

(22) Filed: **May 23, 2017**

(51) **LOC (11) Cl.** ..... **26-04**

(52) **U.S. Cl.**  
USPC ..... **D26/3**

(58) **Field of Classification Search**  
USPC ..... D26/1-4; 313/313, 315, 316, 317, 318,  
313/493; 315/52, 53, 56, 57, 58  
CPC ..... H01R 5/00; H01R 13/46; H01R 13/514;  
H01R 31/048; H01R 31/02; H01J 5/00;  
H01J 5/16; H01J 15/00; H01J 5/48; H01J  
5/50; H01J 19/54; F21V 5/00  
See application file for complete search history.

(56) **References Cited**

**U.S. PATENT DOCUMENTS**

D464,154 S 10/2002 Xu  
D480,162 S \* 9/2003 Kakuno ..... D26/3

D485,377 S \* 1/2004 Vakil ..... D26/2  
D504,732 S \* 5/2005 Yang ..... D26/2  
D532,124 S \* 11/2006 Iwase ..... D26/3  
D567,967 S \* 4/2008 Orban ..... D26/2  
D759,855 S 6/2016 Gerson  
D759,856 S 6/2016 Yang  
D759,857 S 6/2016 Yang  
D761,450 S 7/2016 Yang

\* cited by examiner

*Primary Examiner* — Marcus Jackson

(74) *Attorney, Agent, or Firm* — Payam Moradian

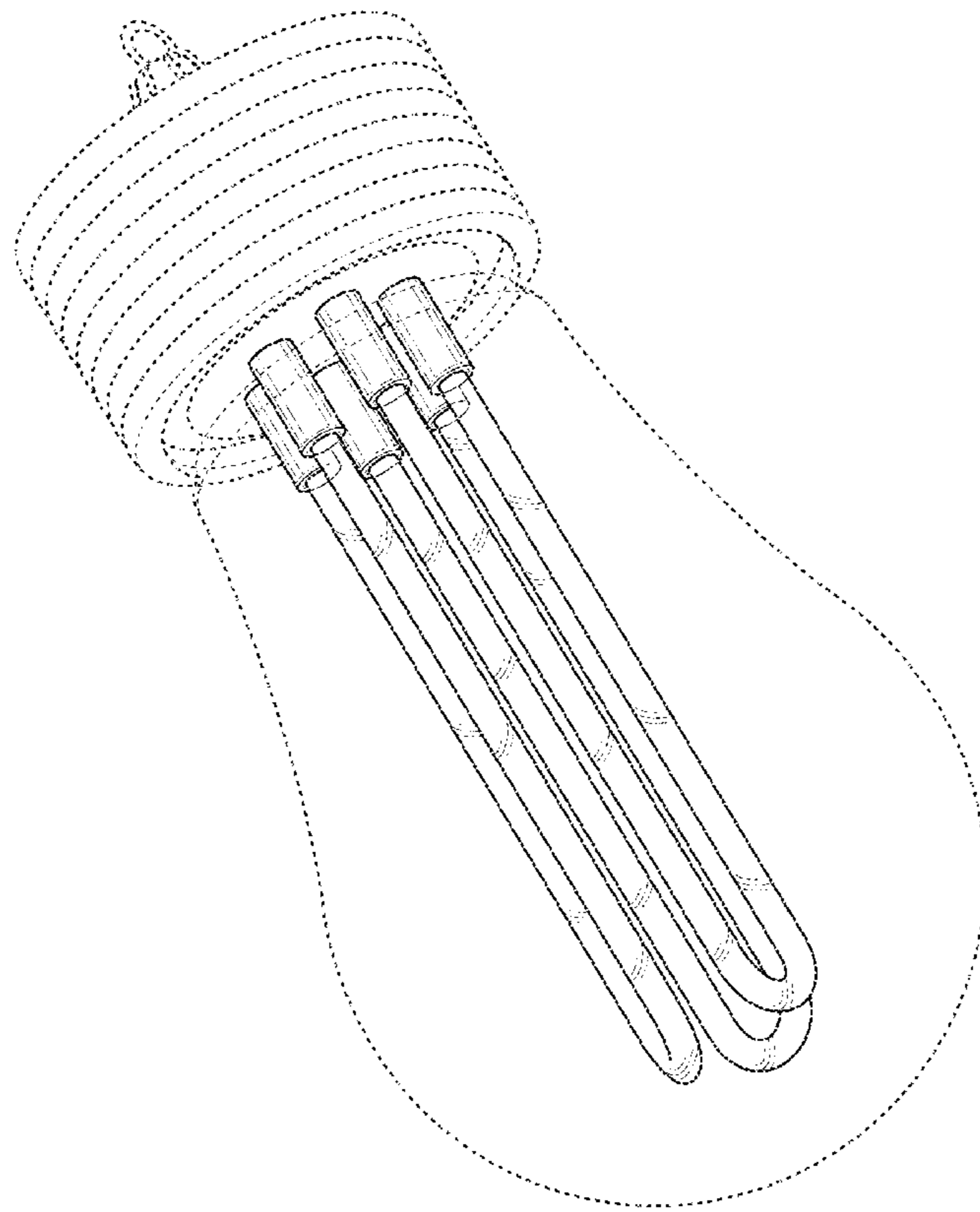
(57) **CLAIM**

I claim the ornamental design for a portion of a light bulb,  
as shown and described.

**DESCRIPTION**

FIG. 1 is a perspective view of a portion of a light bulb;  
FIG. 2 is a front side view thereof;  
FIG. 3 is a rear side view thereof;  
FIG. 4 is a left side view thereof;  
FIG. 5 is a right side view thereof;  
FIG. 6 is a top plan view thereof; and,  
FIG. 7 is a bottom plan view thereof.  
The broken line showing of the light bulb housing and glass  
is for the purpose of illustrating the portion of a light bulb  
and forms no part of the claimed design.

**1 Claim, 6 Drawing Sheets**



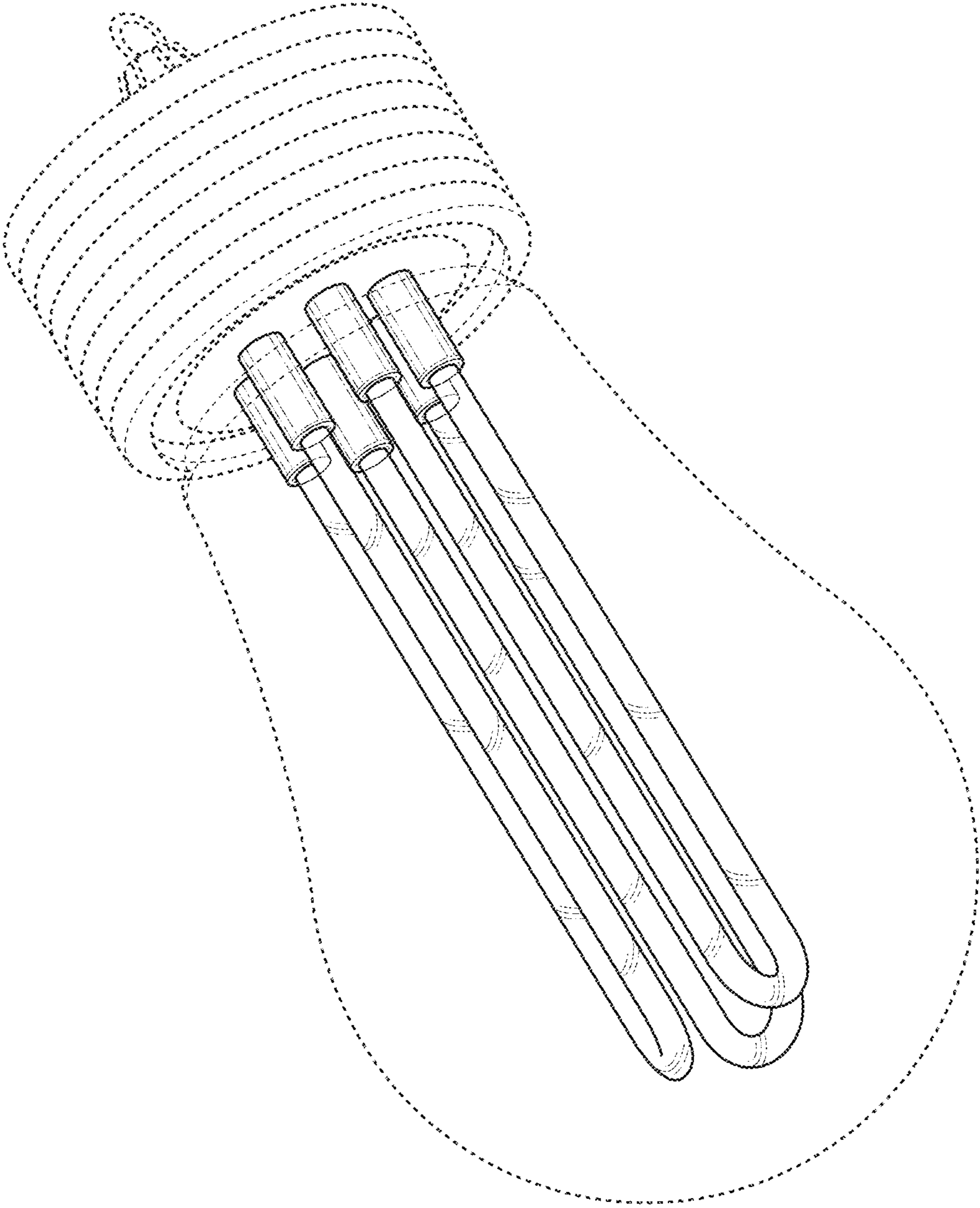
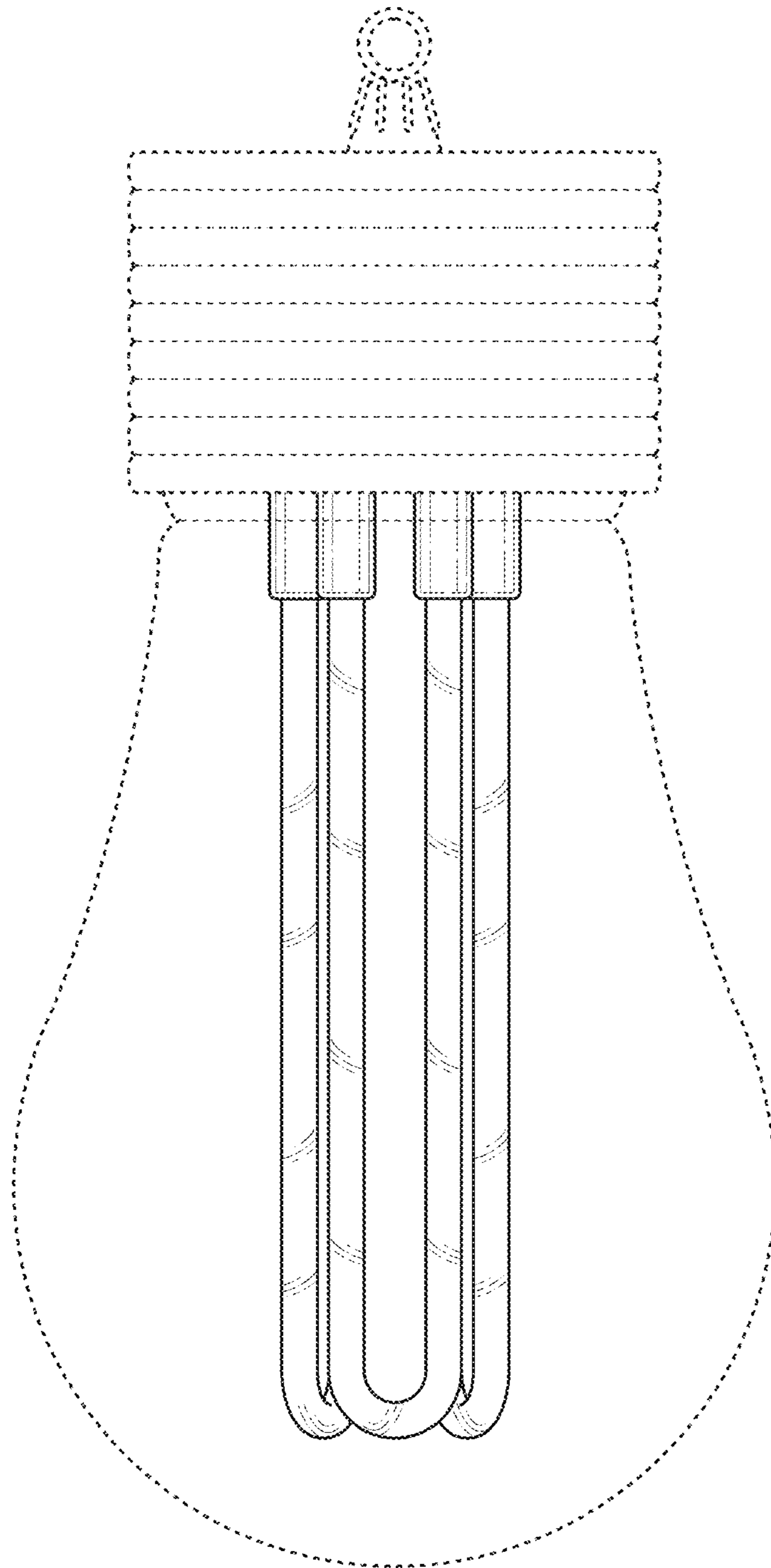
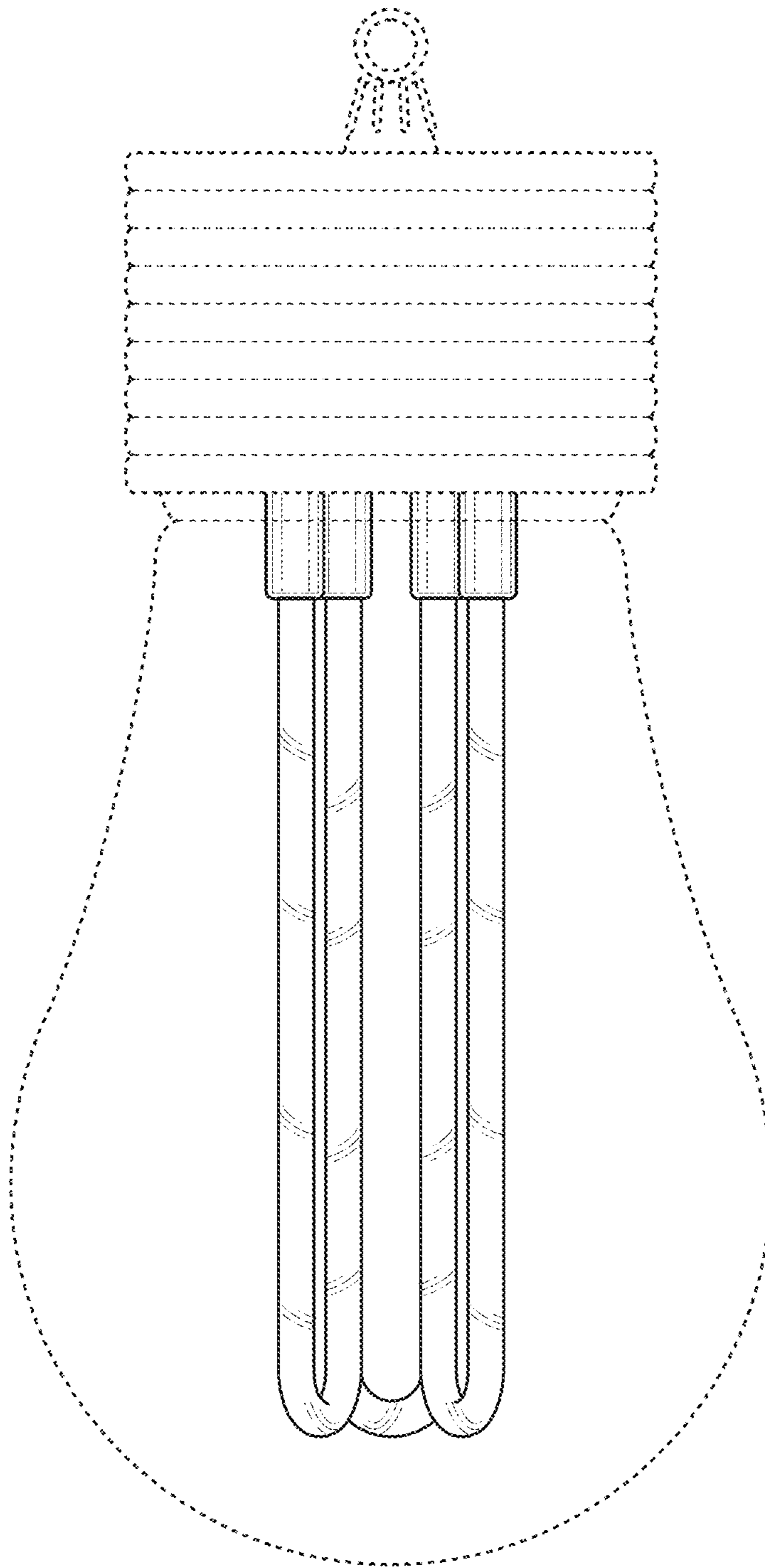


FIG. 1



**FIG. 2**



**FIG. 3**

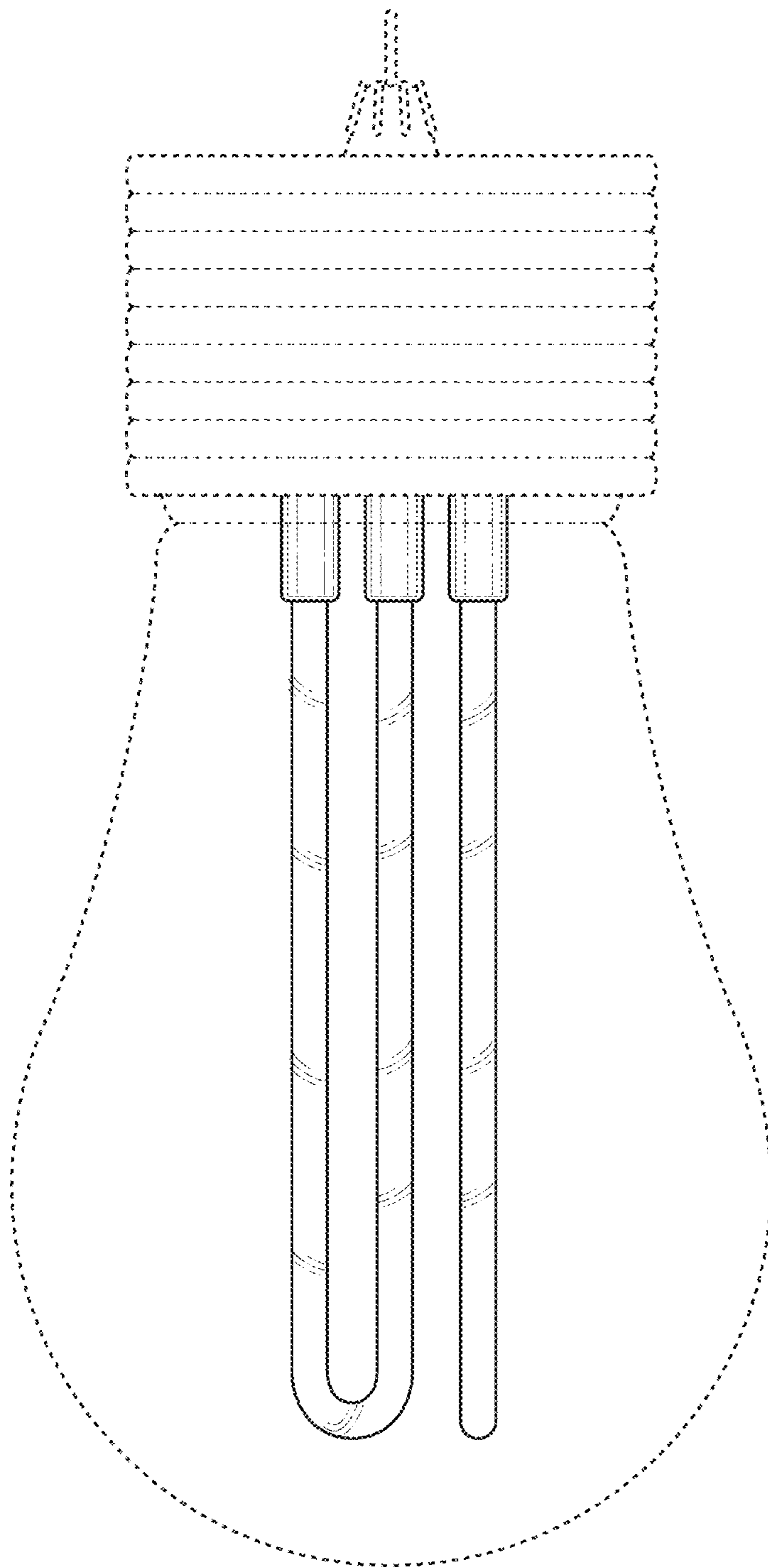


FIG. 4



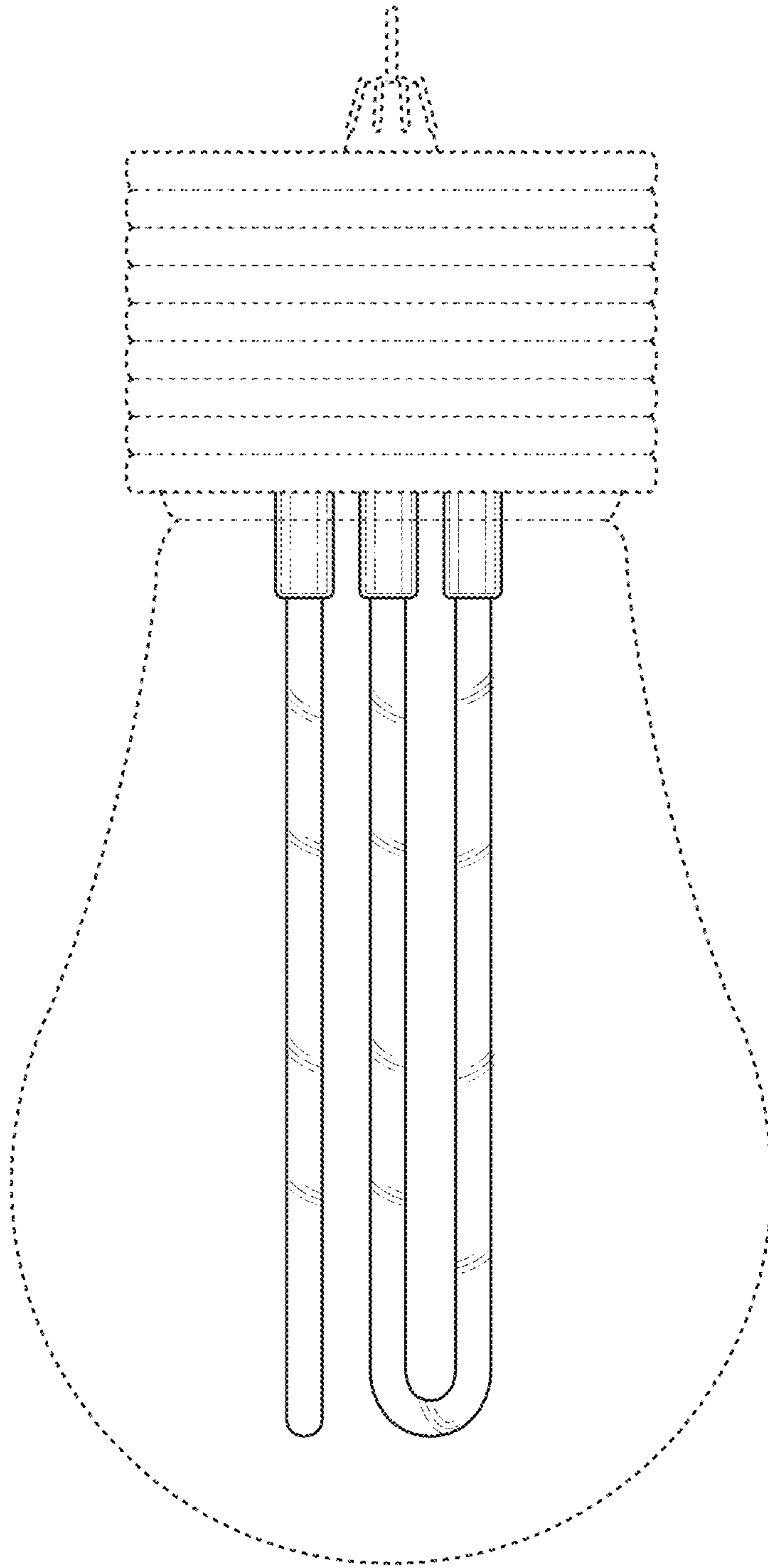
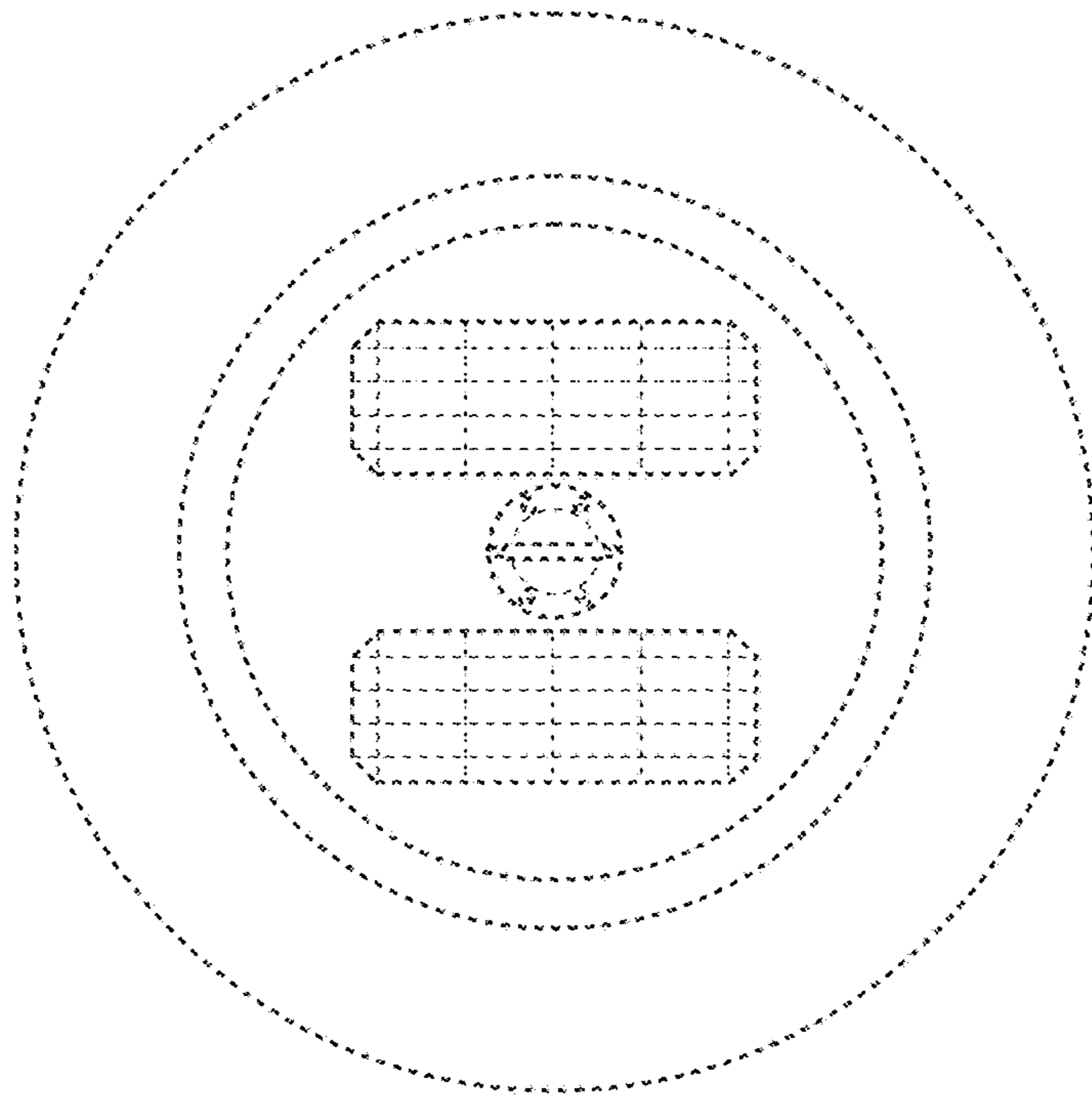
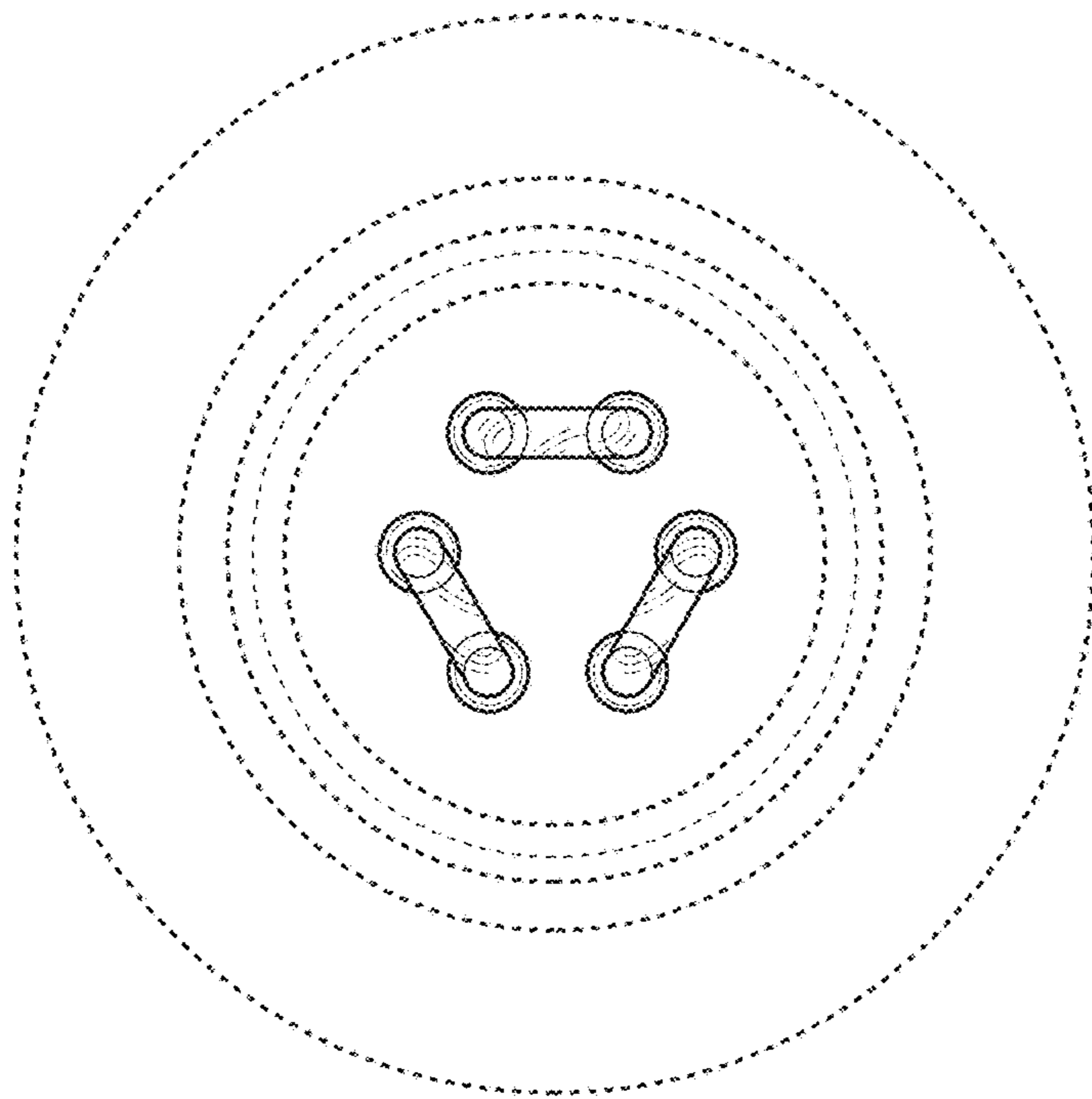


FIG. 5



**FIG. 6**



**FIG. 7**