



US00D826433S

(12) **United States Design Patent** (10) **Patent No.:** **US D826,433 S**
Xu et al. (45) **Date of Patent:** **** Aug. 21, 2018**

(54) **WARM GLOW LED CANDLE LENS**

(71) Applicant: **KONINKLIJKE PHILIPS N.V.**,
Eindhoven (NL)
(72) Inventors: **Phoenix Yf Xu**, Shanghai (CN); **Jorbin Guo**, Shanghai (CN); **Tommy R Chen**,
Shanghai (CN)

(73) Assignee: **PHILIPS LIGHTING HOLDING B.V.**, Eindhoven (NL)

(**) Term: **15 Years**

(21) Appl. No.: **35/500,862**

(22) Filed: **Oct. 26, 2015**

(80) **Hague Agreement Data**

Int. Filing Date: **Oct. 26, 2015**
Int. Reg. No.: **DM/088055**
Int. Reg. Date: **Oct. 26, 2015**
Int. Reg. Pub. Date: **Apr. 29, 2016**

(30) **Foreign Application Priority Data**

May 15, 2015 (EM) 002701102-0001

(51) **LOC (11) Cl.** **26-04**

(52) **U.S. Cl.**
USPC **D26/2**
CPC **F21V 5/00** (2013.01)

(58) **Field of Classification Search**
USPC D26/1-9; 313/313-318, 493; 315/52-58
CPC ... F21V 5/00; F21K 9/13; F21K 9/135; F21K 9/1375; H01J 5/00; H01J 5/48; H01J 5/50; H01J 19/54
See application file for complete search history.

(56) **References Cited**

U.S. PATENT DOCUMENTS

D610,275 S * 2/2010 Cho D26/2
D645,986 S * 9/2011 Taylor D26/2

D657,075 S *	4/2012	Guohui	D26/2
D664,274 S *	7/2012	de Visser	D26/2
D670,414 S *	11/2012	Guohui	D26/2
D673,308 S *	12/2012	Tsai	D26/2
D686,761 S *	7/2013	Ottobre	D26/2
D697,236 S *	1/2014	Rioux	D26/2
D706,465 S *	6/2014	Rochat	D26/2
D729,418 S *	5/2015	Baum	D26/1
D732,211 S *	6/2015	Cho	D26/2
D732,709 S *	6/2015	Allen	D26/2
D735,900 S *	8/2015	Bukkems	D26/1
D736,429 S *	8/2015	Wang	D26/2
D738,001 S *	9/2015	Wang	D26/2
D756,542 S *	5/2016	Li	D26/2
D770,645 S *	11/2016	Kim	D26/2
D781,468 S *	3/2017	Shum	D26/2

* cited by examiner

Primary Examiner — Richard E Chilcot

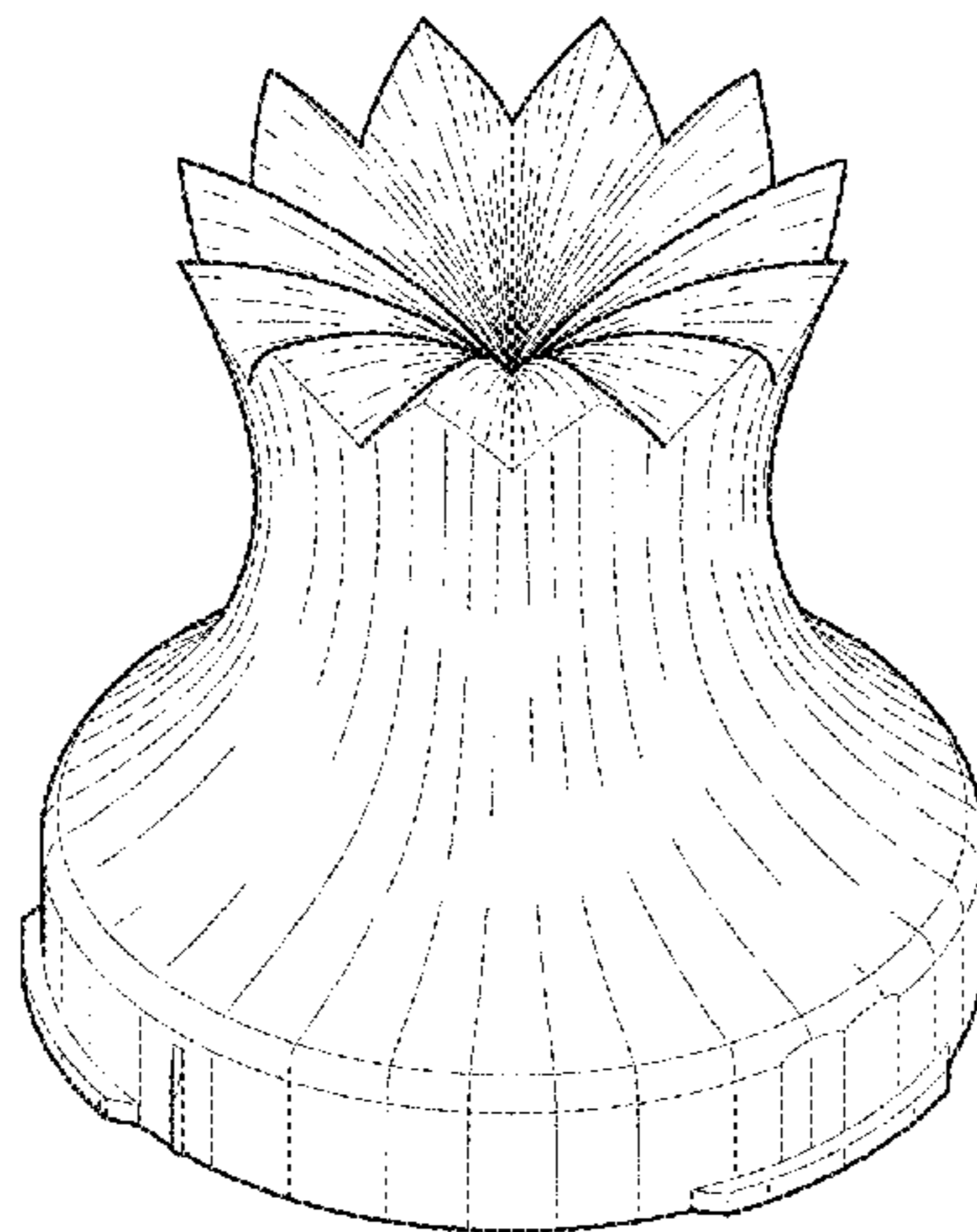
(57) **CLAIM**

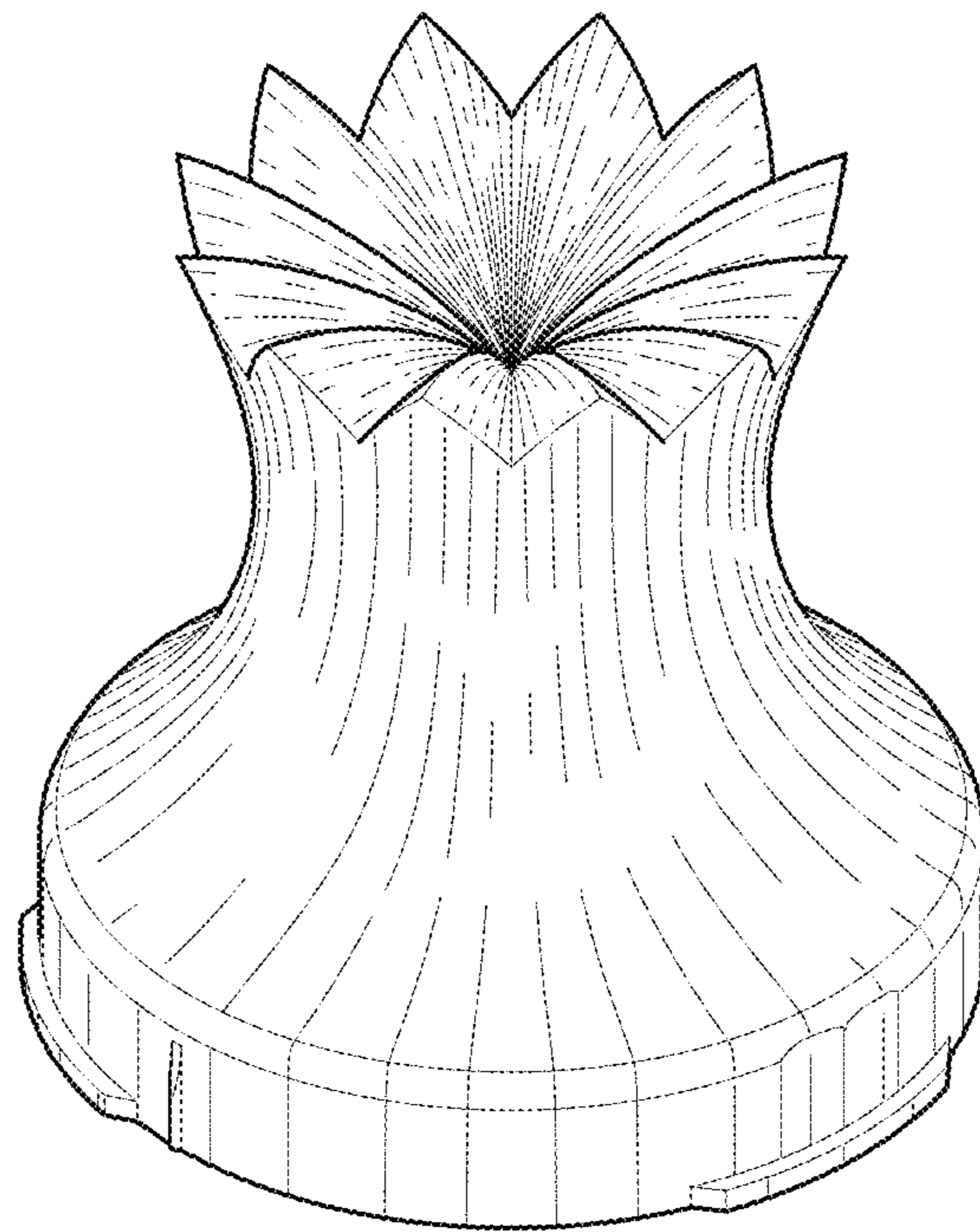
The ornamental design for a warm glow LED candle lens, as shown and described.

DESCRIPTION

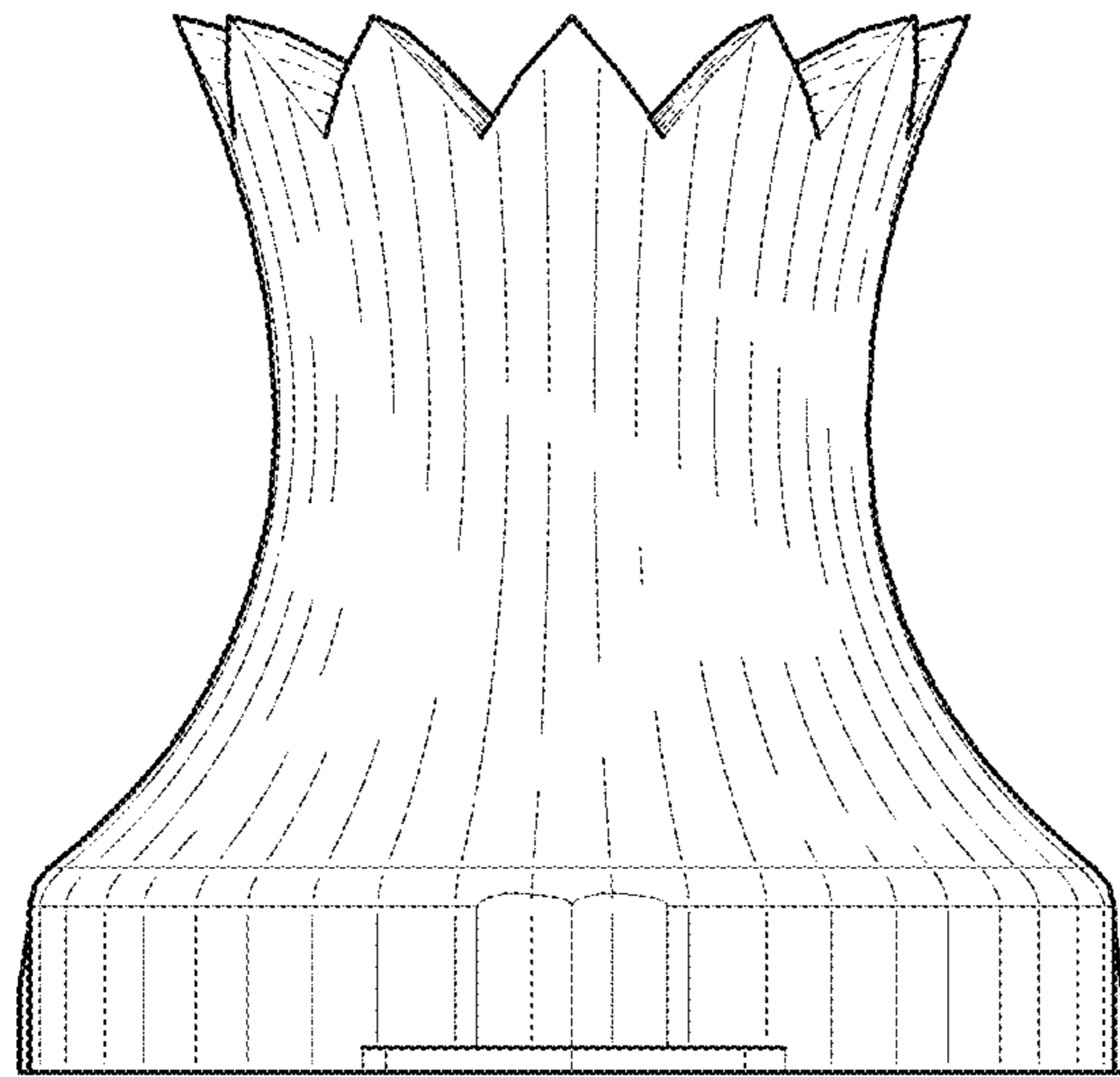
1. Warm glow LED candle lens
1.1 is a perspective view showing of a warm glow LED candle lens showing our new design;
1.2 is a left side elevational view thereof;
1.3 is a right elevational view thereof;
1.4 is a front side elevational view thereof;
1.5 is a back side elevational view thereof;
1.6 is a top plan view thereof;
1.7 is a bottom plan view thereof.
The dash-dot-dash broken lines shown represent the bounds of the claim and forms no part thereof and the dashed broken lines shown therein illustrate portions of the luminaire that form no part of the claimed design.

1 Claim, 4 Drawing Sheets

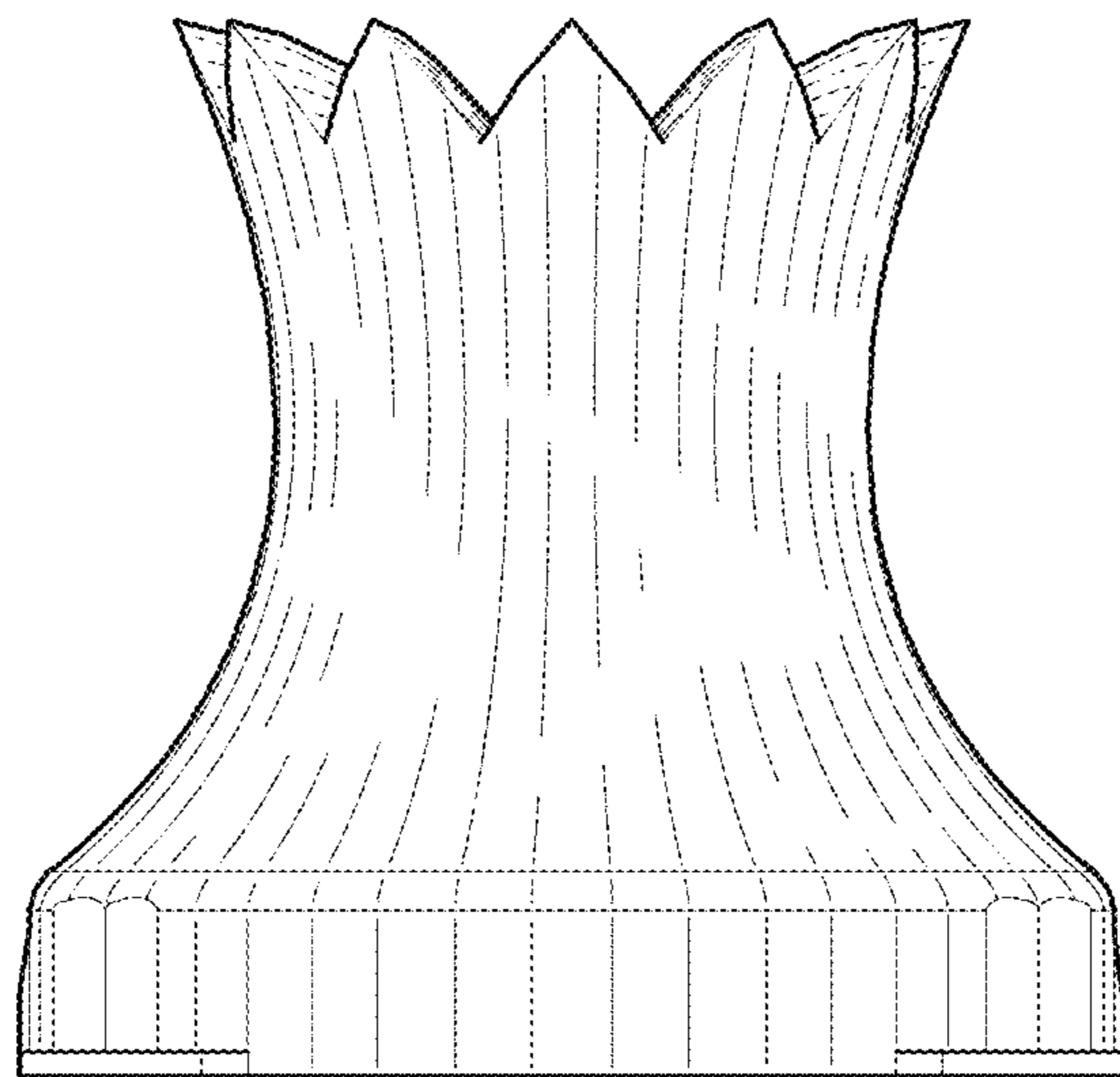




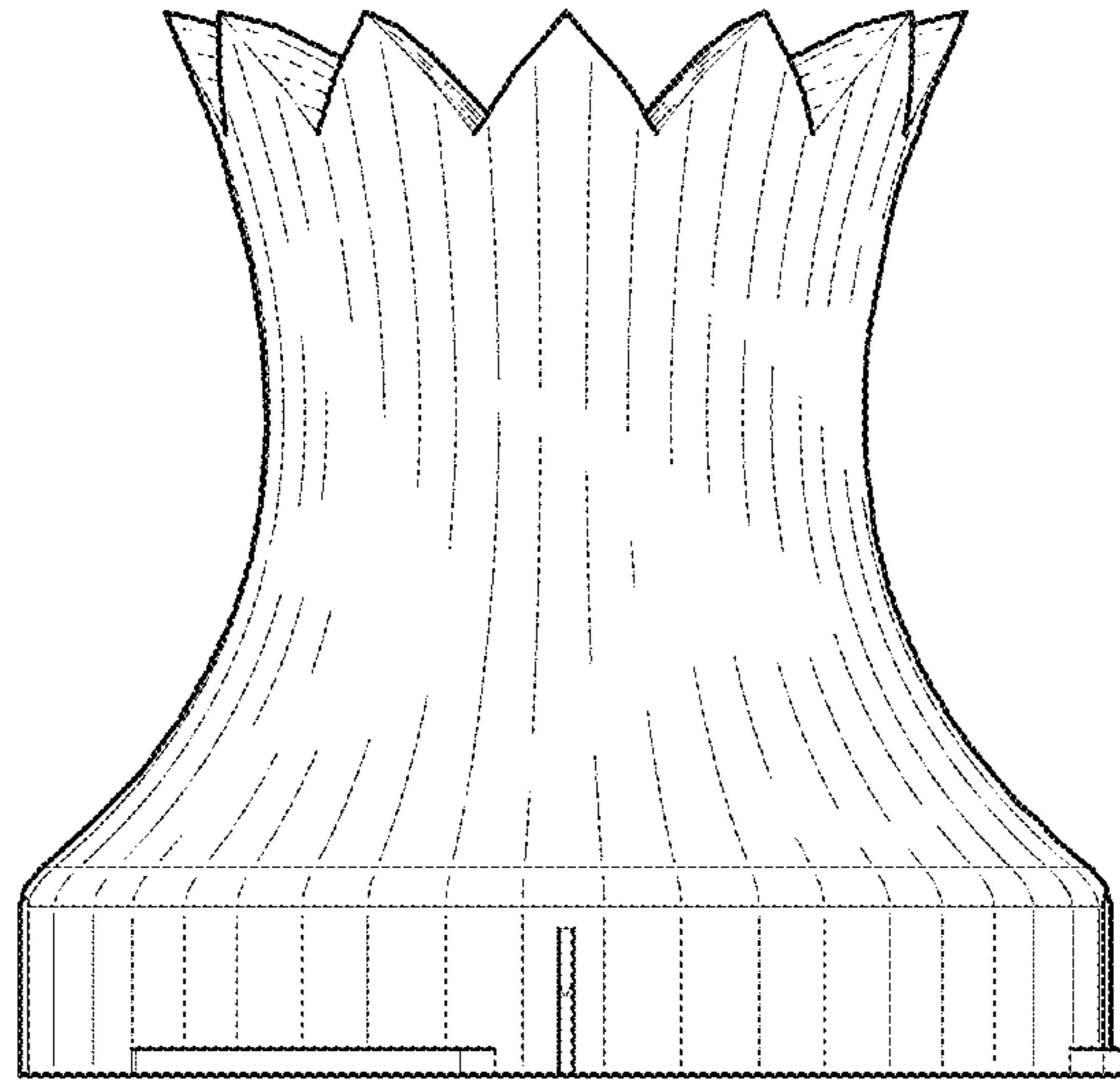
1.1



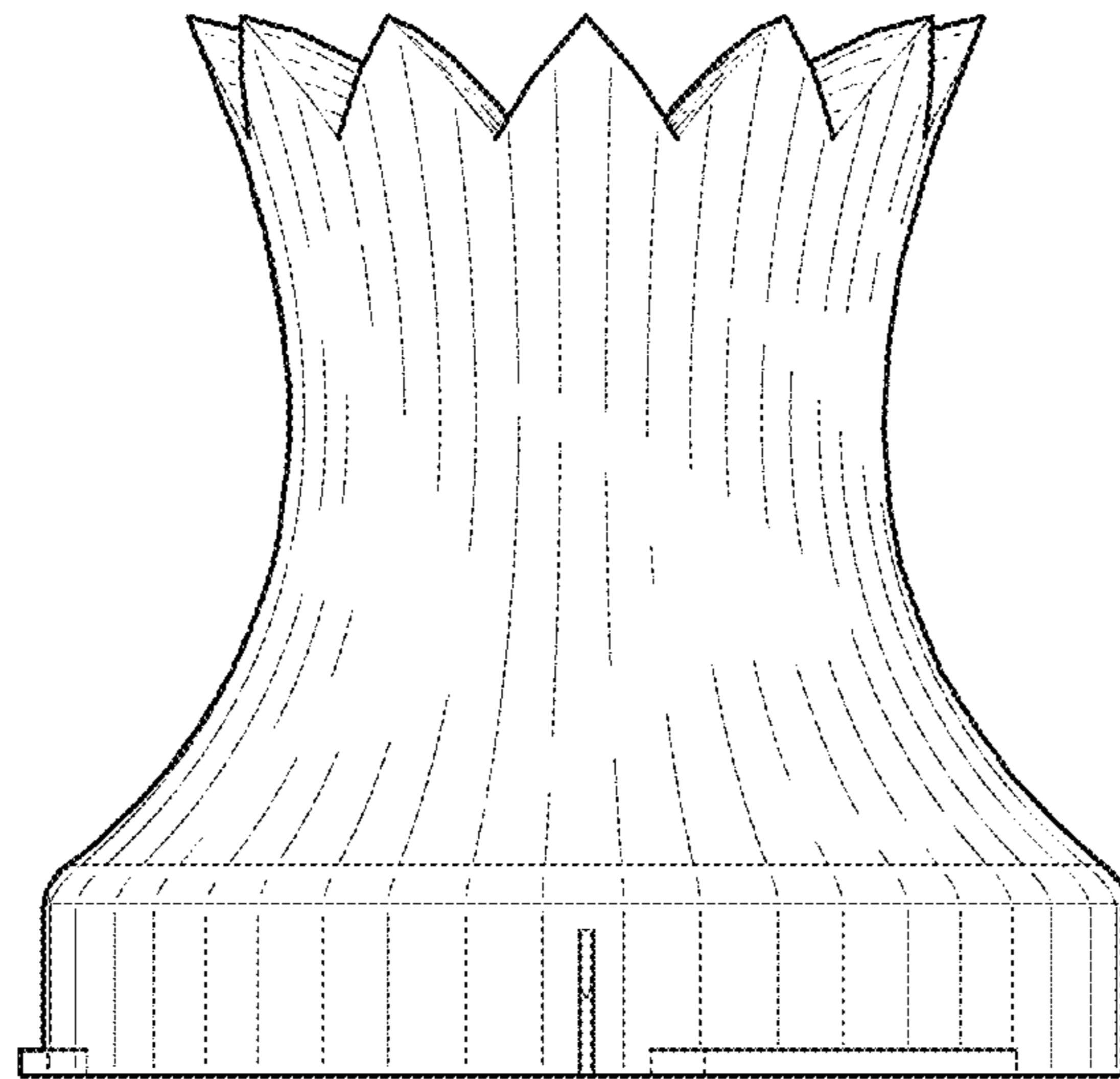
1.2



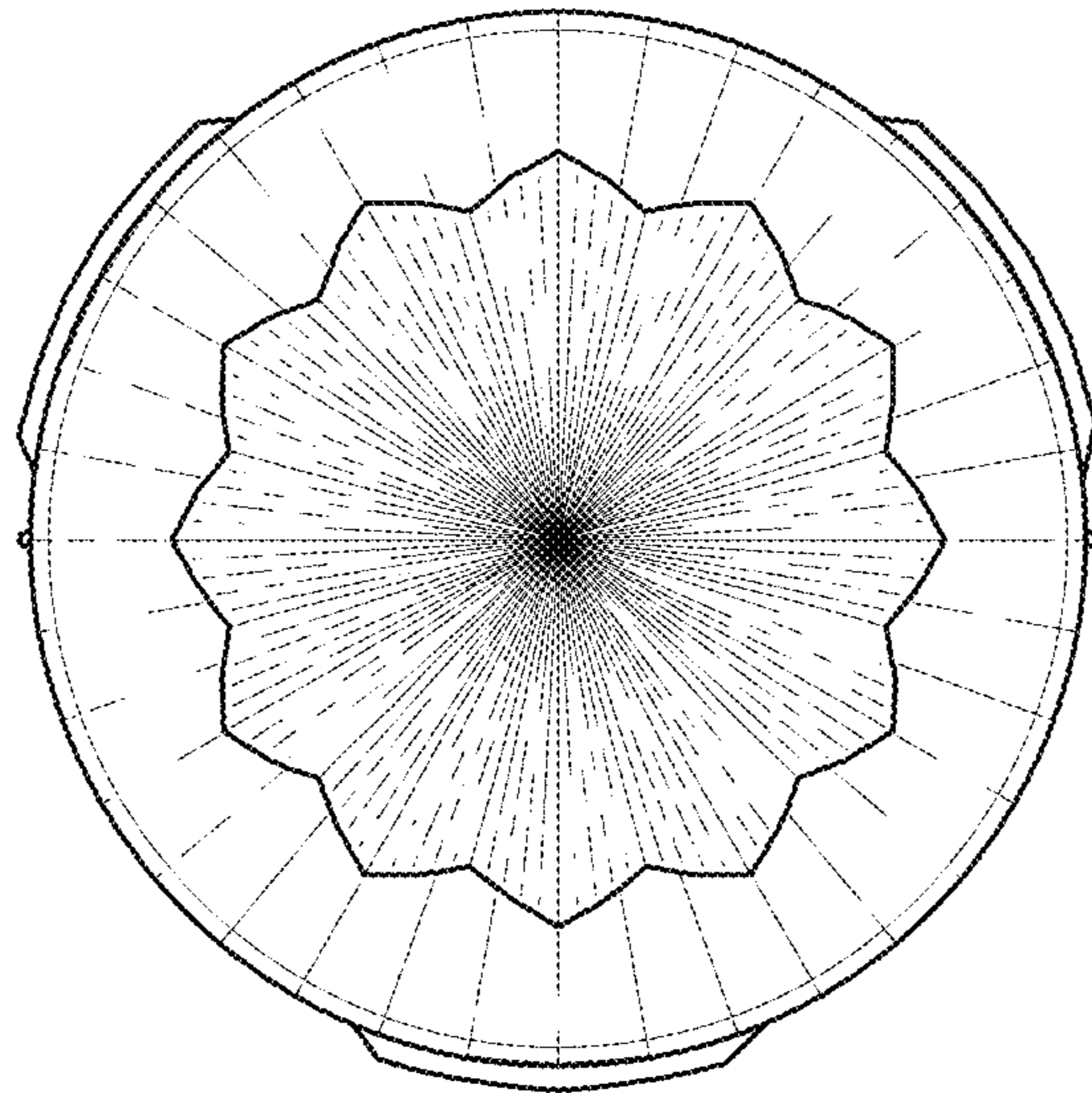
1.3



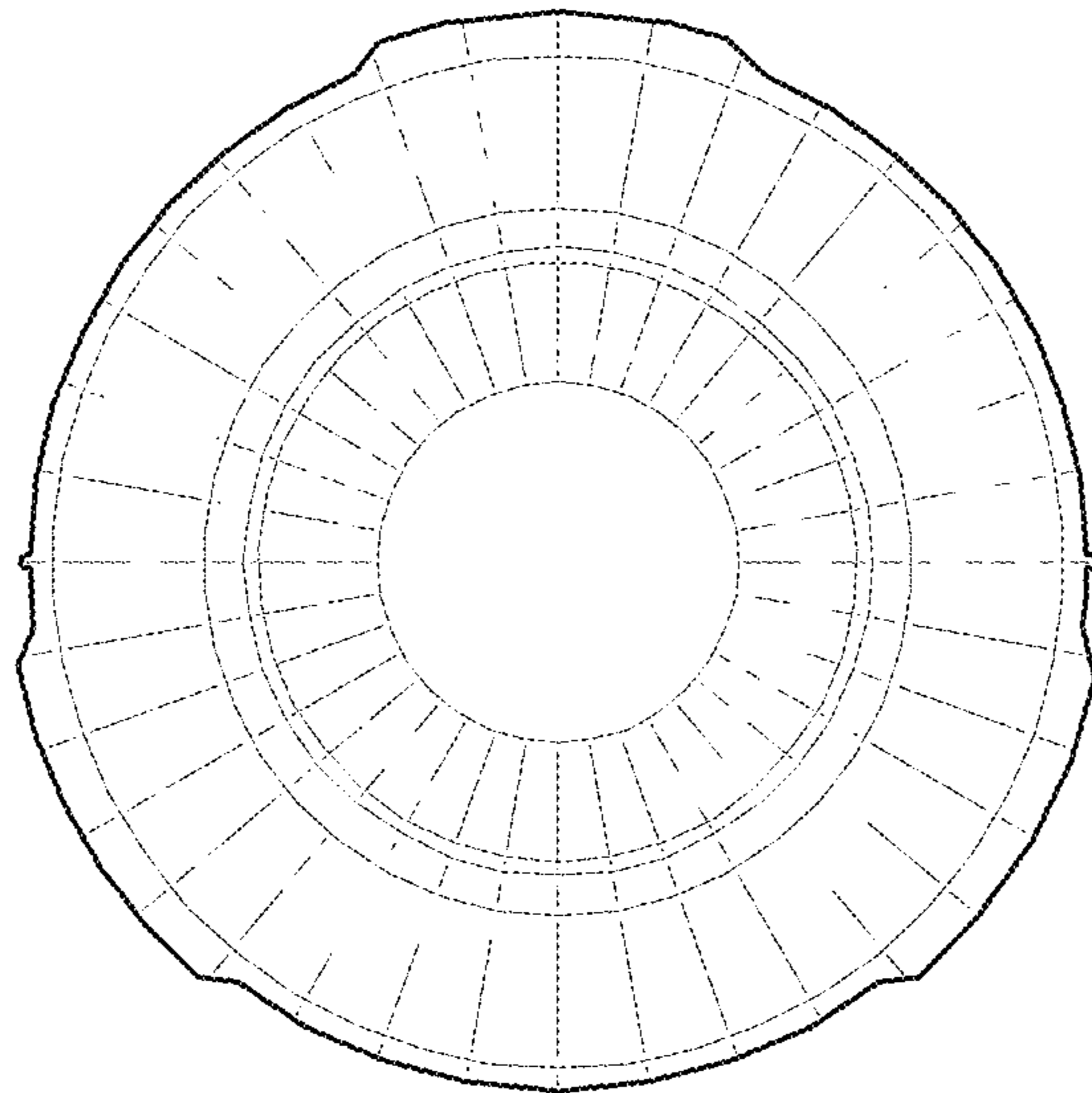
1.4



1.5



1.6



1.7