



US00D826432S

(12) **United States Design Patent**
Chang et al.

(10) **Patent No.:** **US D826,432 S**
(45) **Date of Patent:** **** Aug. 21, 2018**

(54) **LED LAMP**

(71) Applicant: **REAL Lighting Technology Co., Ltd.**,
Hsinchu (TW)

(72) Inventors: **Yi-Wei Chang**, New Taipei (TW);
Shih-Chieh Su, Taipei (TW)

(73) Assignee: **REAL LIGHTING TECHNOLOGY**
CO., LTD., Hsinchu (TW)

(**) Term: **15 Years**

(21) Appl. No.: **29/620,722**

(22) Filed: **May 10, 2017**

(30) **Foreign Application Priority Data**

Nov. 29, 2016 (TW) 105307200

(51) **LOC (11) Cl.** **26-04**

(52) **U.S. Cl.**
USPC **D26/2**

(58) **Field of Classification Search**
USPC D26/1-4; 313/313, 315, 316, 317, 318,
313/493; 315/52, 53, 56, 57, 58
CPC H01R 5/00; H01R 13/46; H01R 13/514;
H01R 31/048; H01R 31/02; H01J 5/00;
H01J 5/16; H01J 15/00; H01J 5/48; H01J
5/50; H01J 19/54; F21V 5/00

See application file for complete search history.

(56) **References Cited**

U.S. PATENT DOCUMENTS

D531,741 S *	11/2006	Takahashi	D26/2
D538,953 S *	3/2007	Mama	D26/2
D549,360 S *	8/2007	An	D26/2
D662,625 S *	6/2012	Yamamoto	D26/2
D673,699 S *	1/2013	Yao	D26/2

* cited by examiner

Primary Examiner — Marcus Jackson

(74) *Attorney, Agent, or Firm* — Bacon & Thomas, PLLC

(57) **CLAIM**

The ornamental design for a LED lamp, as shown and described.

DESCRIPTION

FIG. 1 is a perspective view of a LED lamp showing my new design;

FIG. 2 is a front elevational view thereof;

FIG. 3 is a rear elevational view thereof;

FIG. 4 is a left side elevational view thereof;

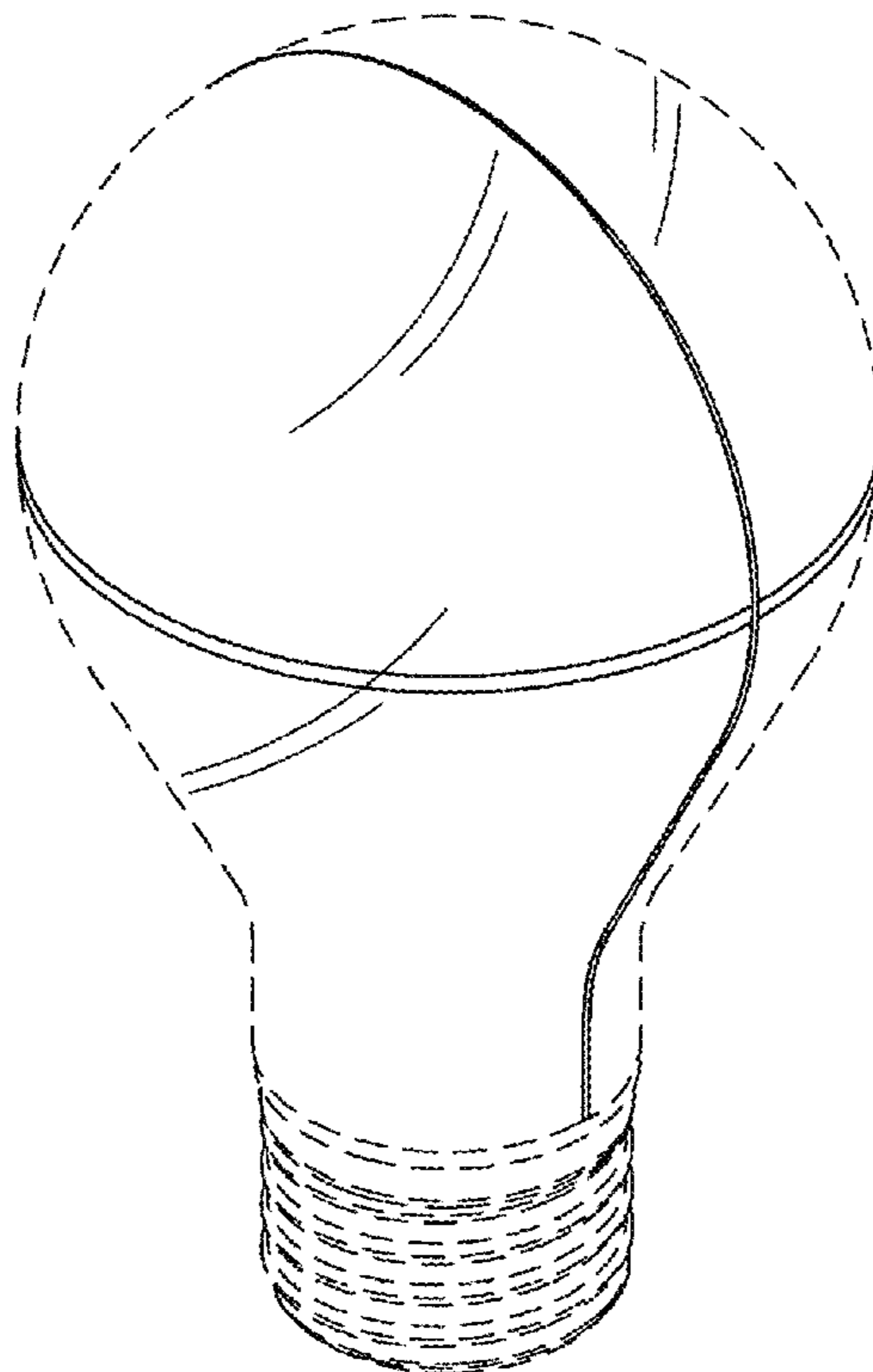
FIG. 5 is a right side elevational view thereof;

FIG. 6 is a top plan view thereof; and,

FIG. 7 is a bottom plan view thereof.

The broken lines in the drawings illustrate unclaimed portions of the LED lamp and form no part of the claimed design.

1 Claim, 3 Drawing Sheets



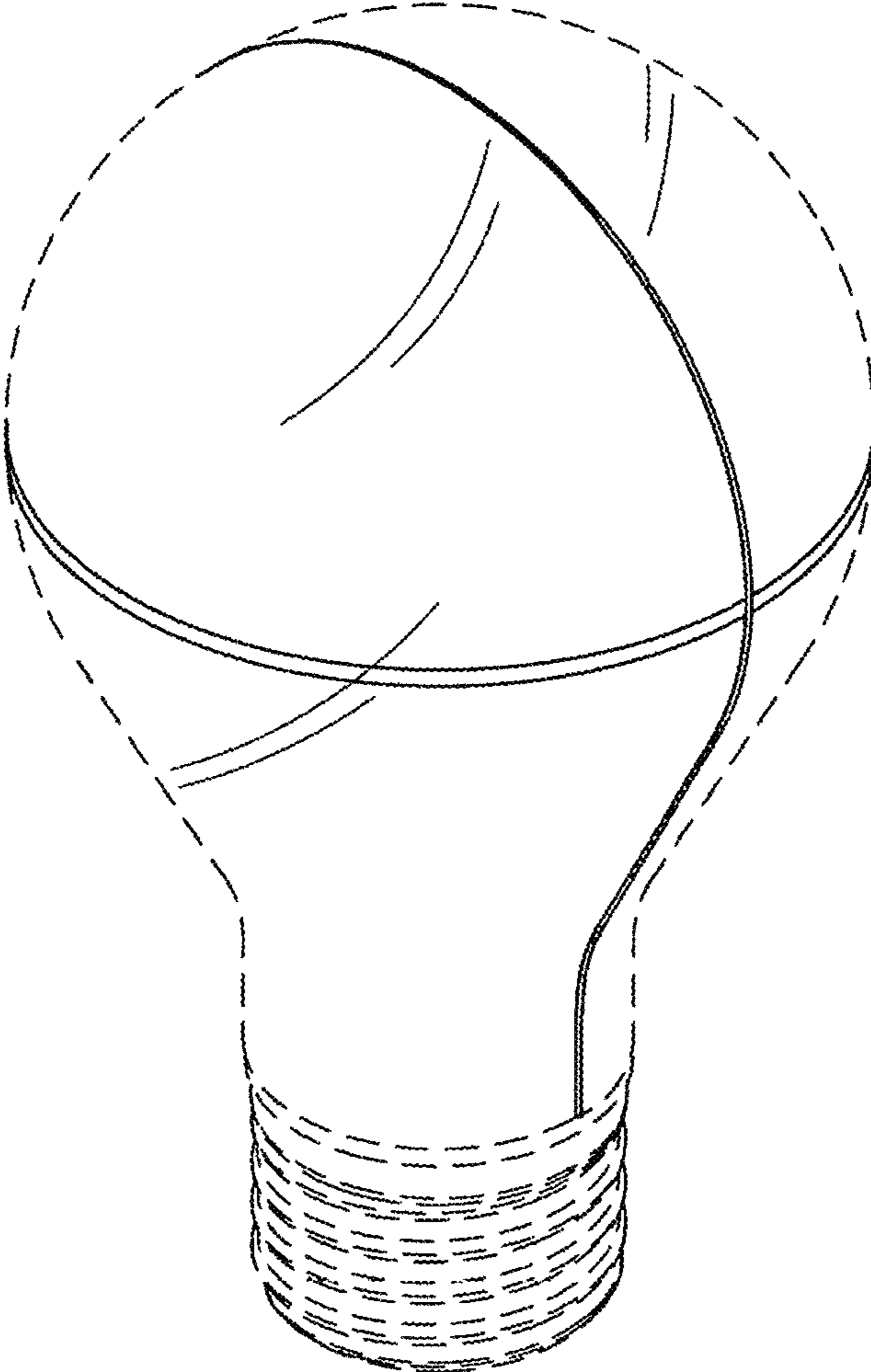


Fig. 1

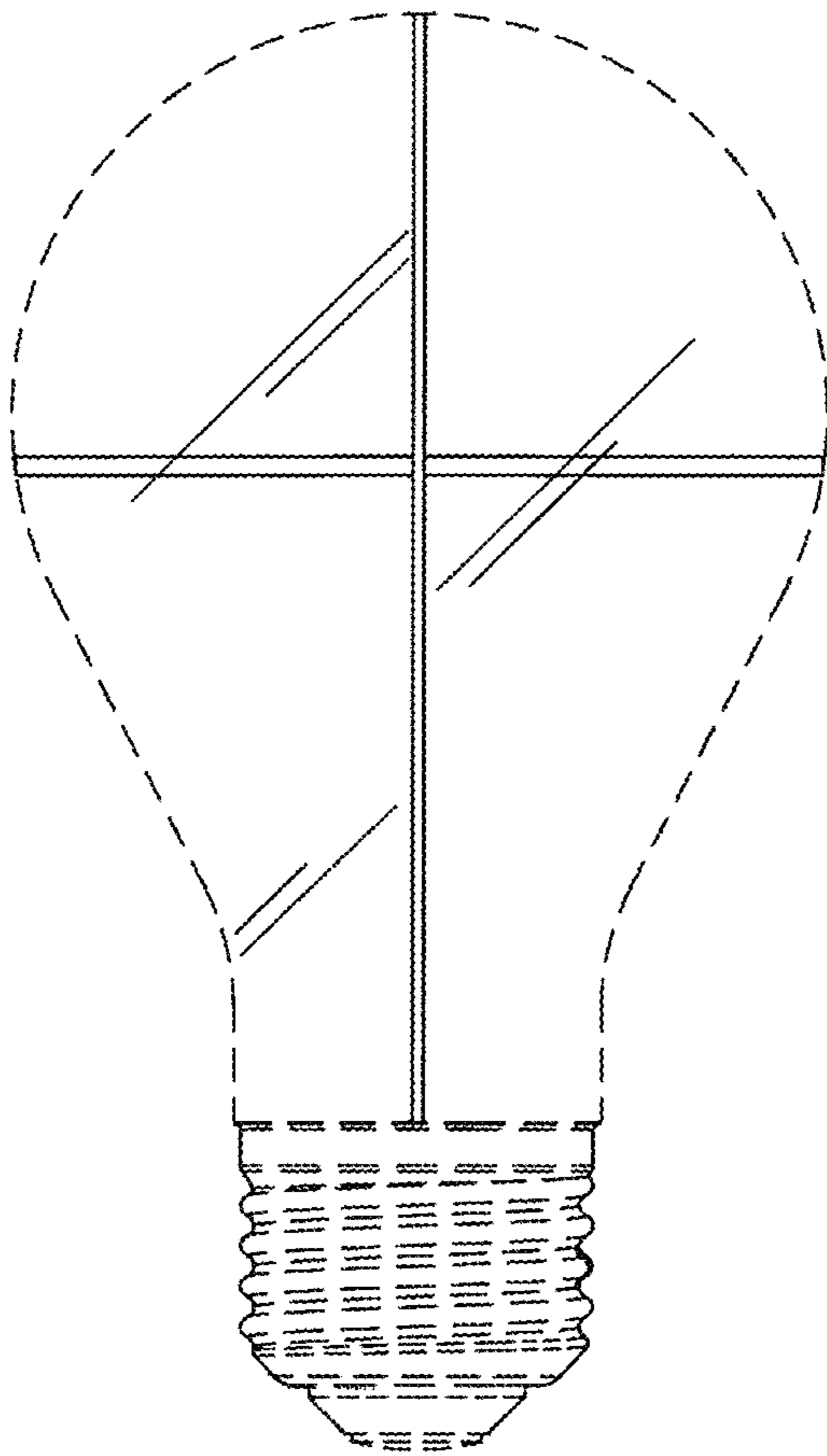


Fig. 2

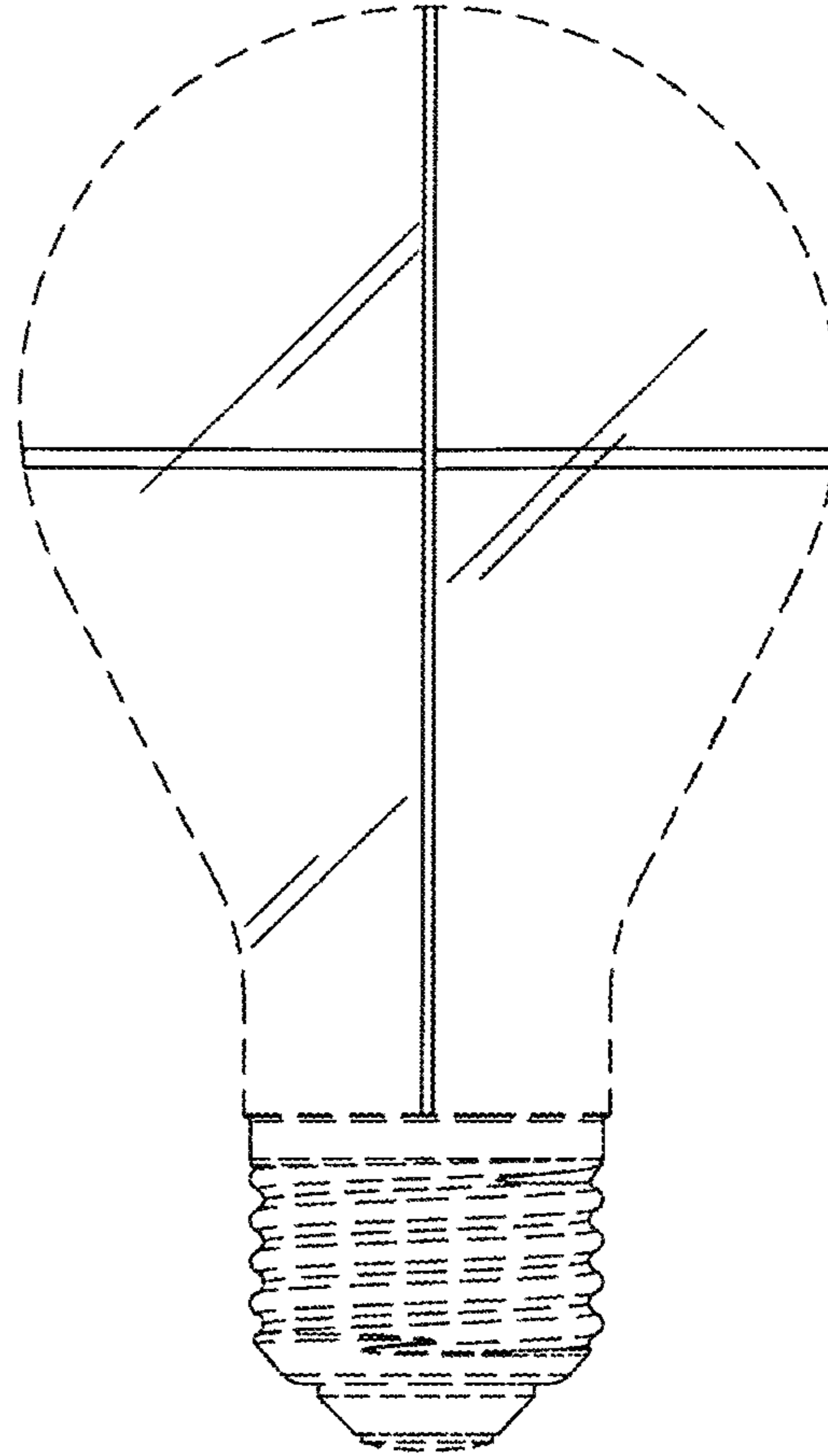


Fig. 3

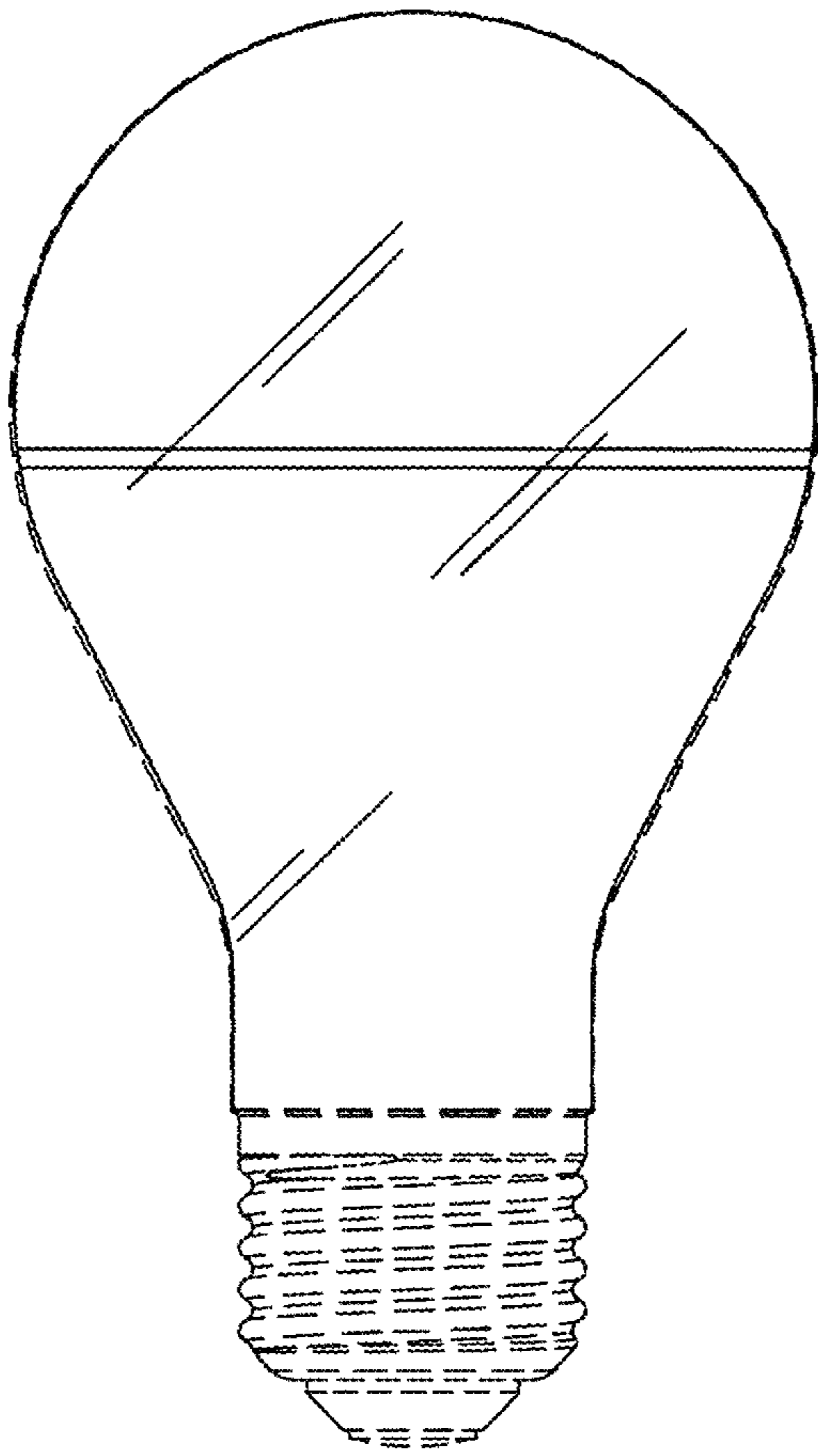


Fig. 4

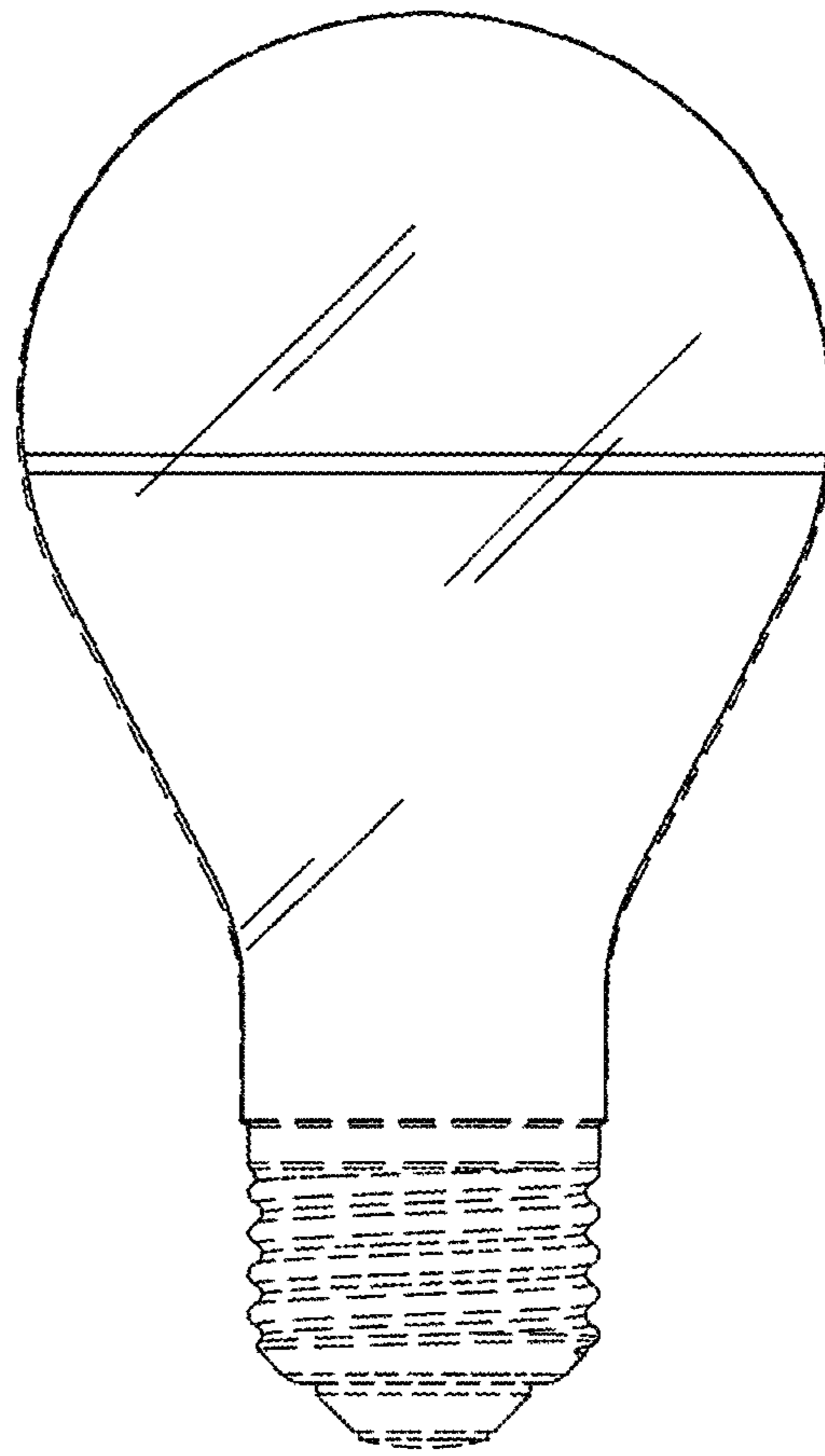


Fig. 5

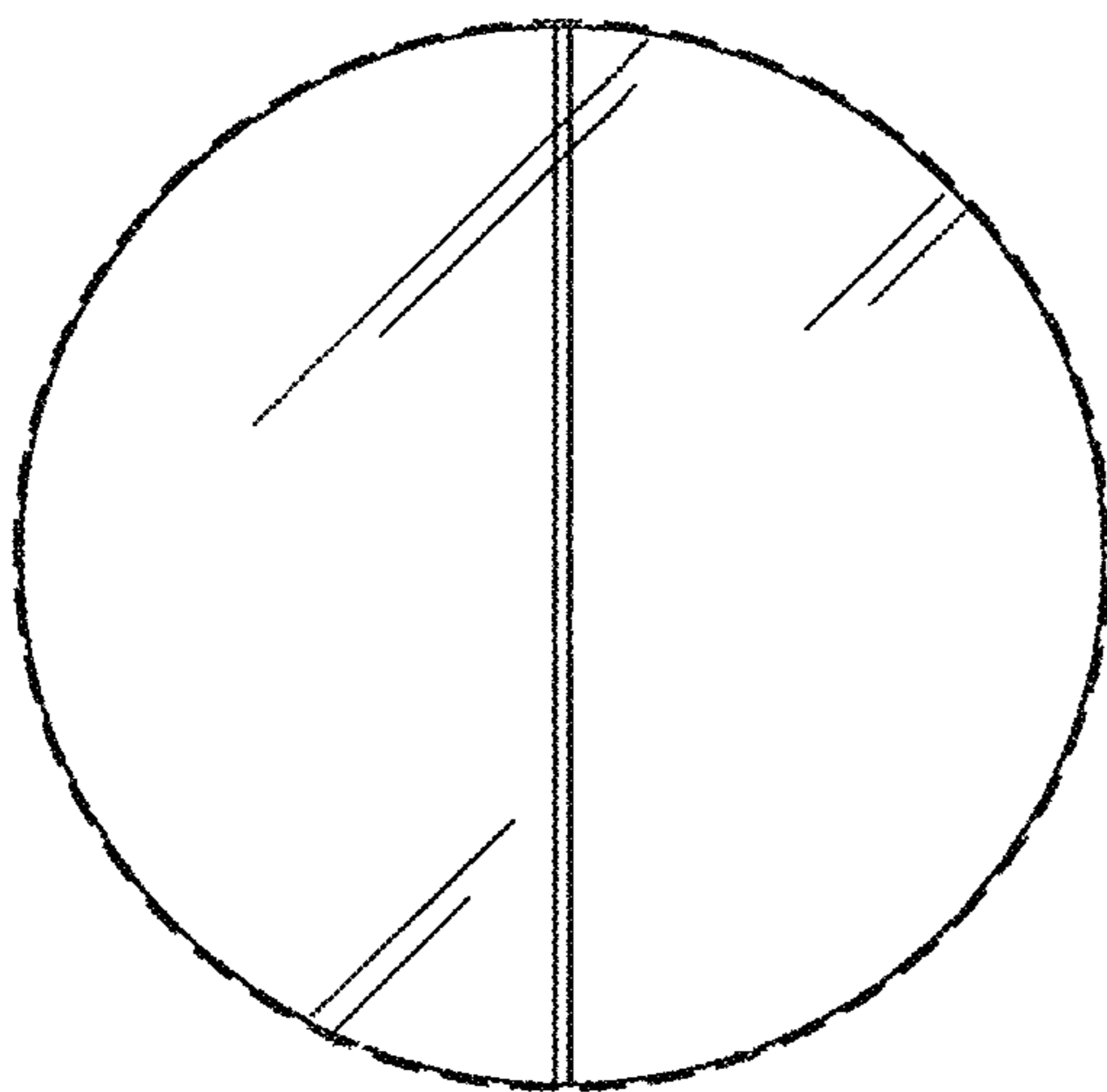


Fig. 6

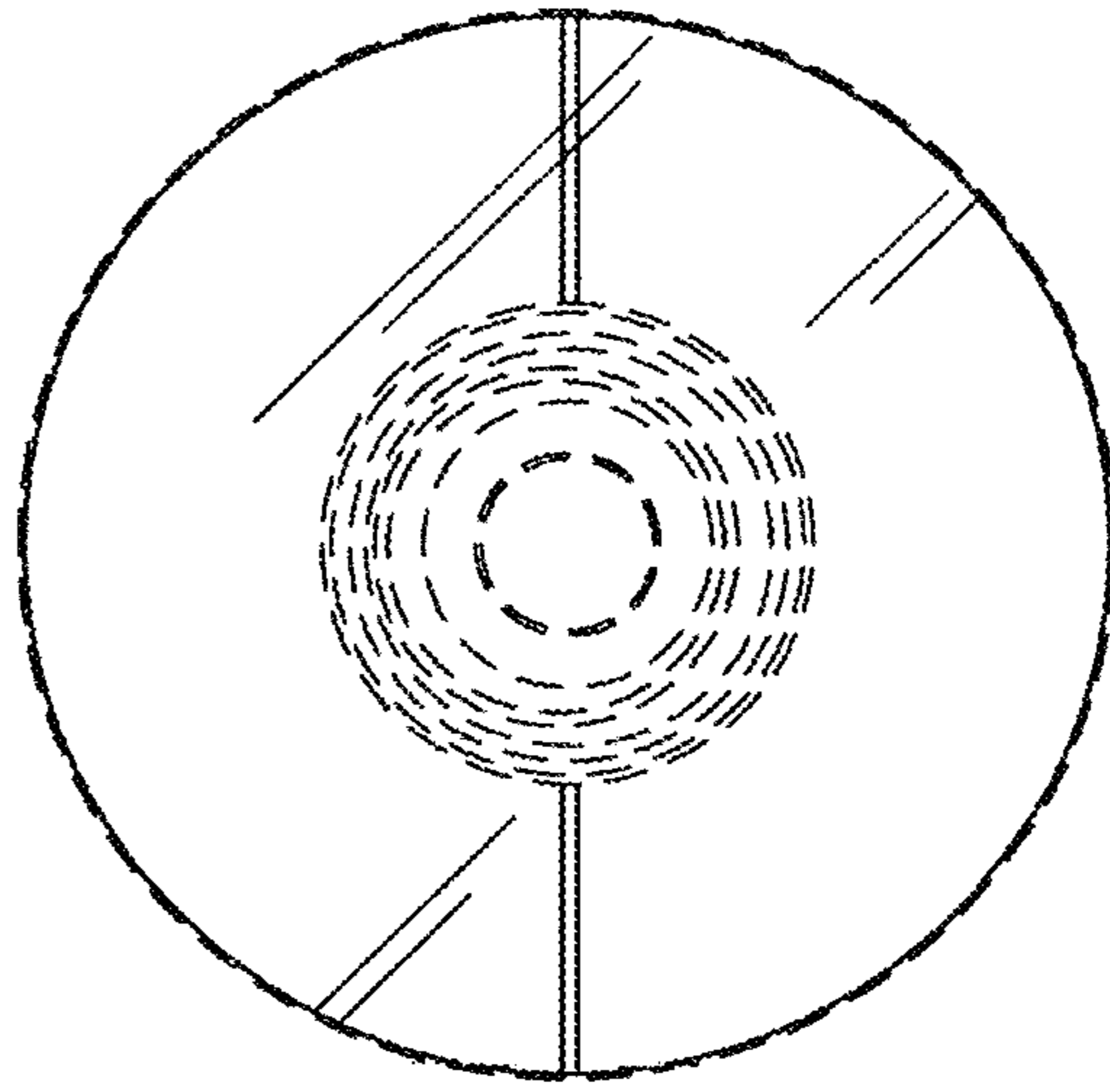


Fig. 7